

US00D867079S

(12) **United States Design Patent** (10) **Patent No.:** **US D867,079 S**  
**Mayer** (45) **Date of Patent:** **\*\* Nov. 19, 2019**

(54) **ICE SCOOP**

(71) Applicant: **Simone Mayer**, Miami, FL (US)

(72) Inventor: **Simone Mayer**, Miami, FL (US)

(\*\*) Term: **15 Years**

(21) Appl. No.: **29/649,365**

(22) Filed: **May 29, 2018**

(51) **LOC (12) Cl.** ..... **07-02**

(52) **U.S. Cl.**  
 USPC ..... **D7/691**

(58) **Field of Classification Search**  
 USPC ..... D7/680–696, 368, 669, 393, 395,  
 D7/642–664; D10/46.2, 46.3  
 CPC ..... A47F 13/08; B65D 61/246; A47J 43/28;  
 A47J 43/281; A61J 7/0023; A47G 21/04;  
 A47G 21/02; G01F 19/002; G01F 19/00  
 See application file for complete search history.

D543,800 S \* 6/2007 Kwan ..... D10/46.2  
 D590,216 S \* 4/2009 Pairon ..... D7/691  
 D634,591 S \* 3/2011 Coppo ..... D7/691  
 D671,805 S \* 12/2012 O’Connell ..... D7/691

\* cited by examiner

*Primary Examiner* — Terry A Wallace  
 (74) *Attorney, Agent, or Firm* — Fross Zelnick Lehrman  
 & Zissu, P.C.; Lawrence E. Apolzon, Esq.

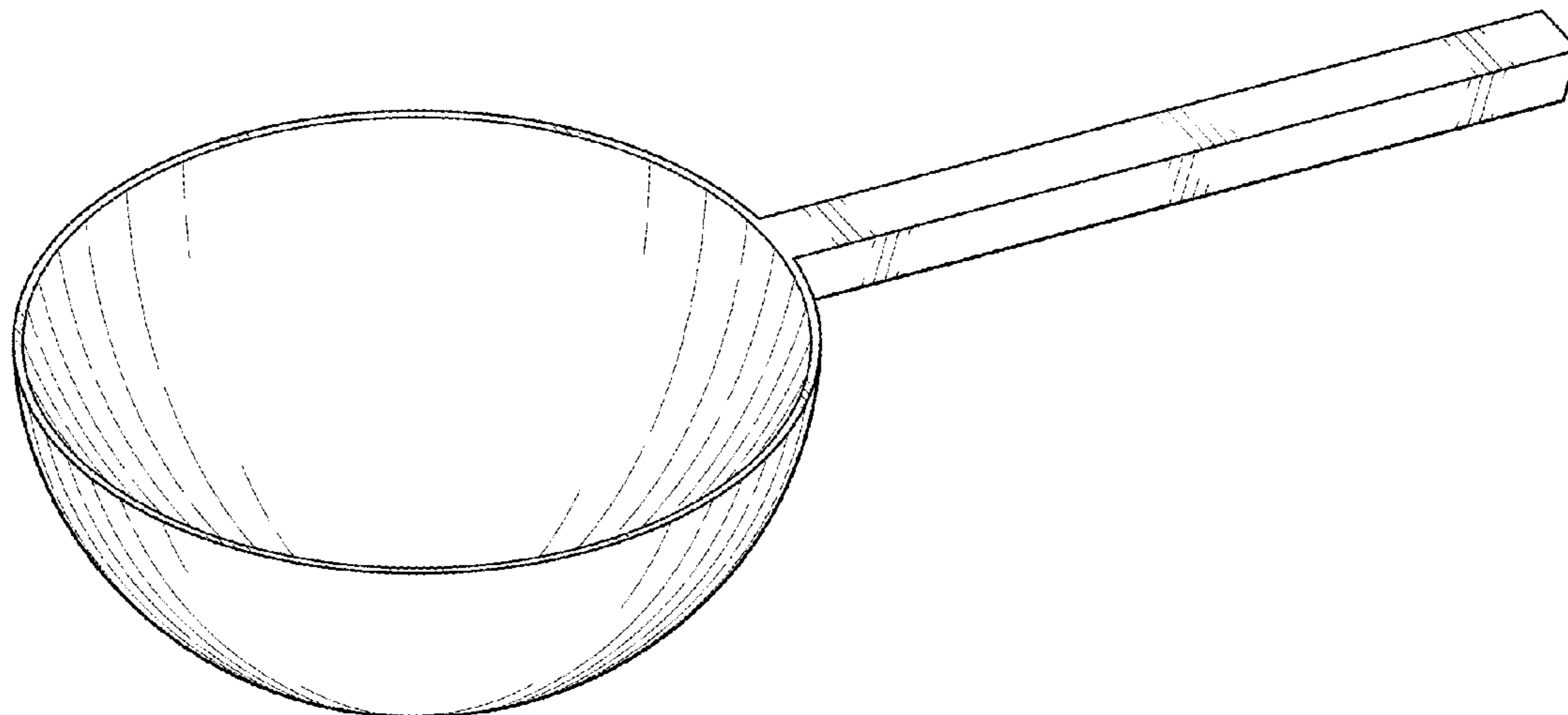
(57) **CLAIM**  
 The ornamental design for an ice scoop, as shown and  
 described.

**DESCRIPTION**

FIG. 1 is a front perspective view of an ice scoop showing  
 my new design;  
 FIG. 2 is a right side view thereof;  
 FIG. 3 is a left side view thereof;  
 FIG. 4 is a front view thereof;  
 FIG. 5 is a back view thereof;  
 FIG. 6 is a top view thereof;  
 FIG. 7 is a bottom view thereof;  
 FIG. 8 is a cross-sectional view thereof, as indicated in FIG.  
 6; and,  
 FIG. 9 is another cross-sectional view thereof, as indicated  
 in FIG. 7.

**1 Claim, 5 Drawing Sheets**

(56) **References Cited**  
 U.S. PATENT DOCUMENTS  
 D232,013 S \* 7/1974 Cyren ..... D7/691  
 D268,244 S \* 3/1983 Morin ..... D7/691  
 D394,611 S \* 5/1998 La Gro ..... D10/46.2



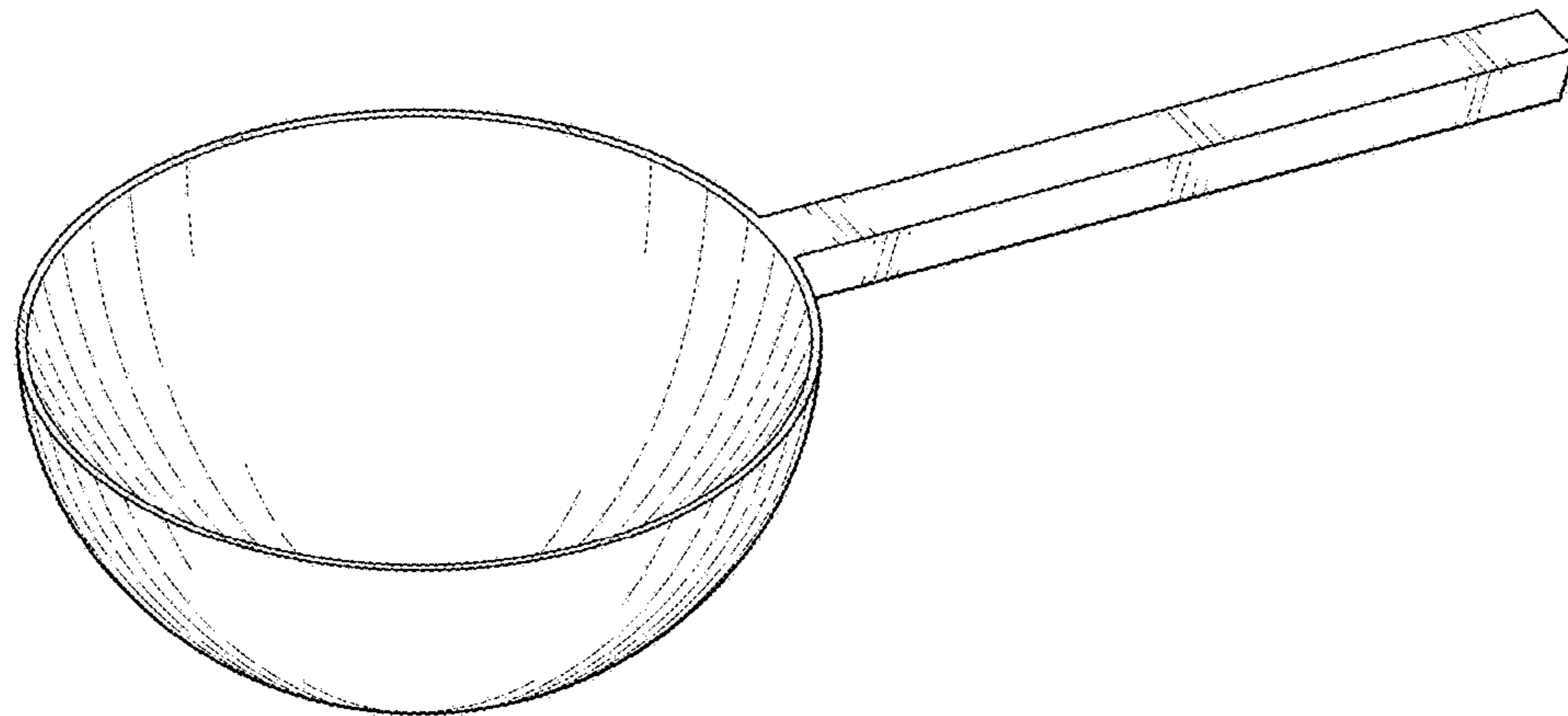


FIG. 1

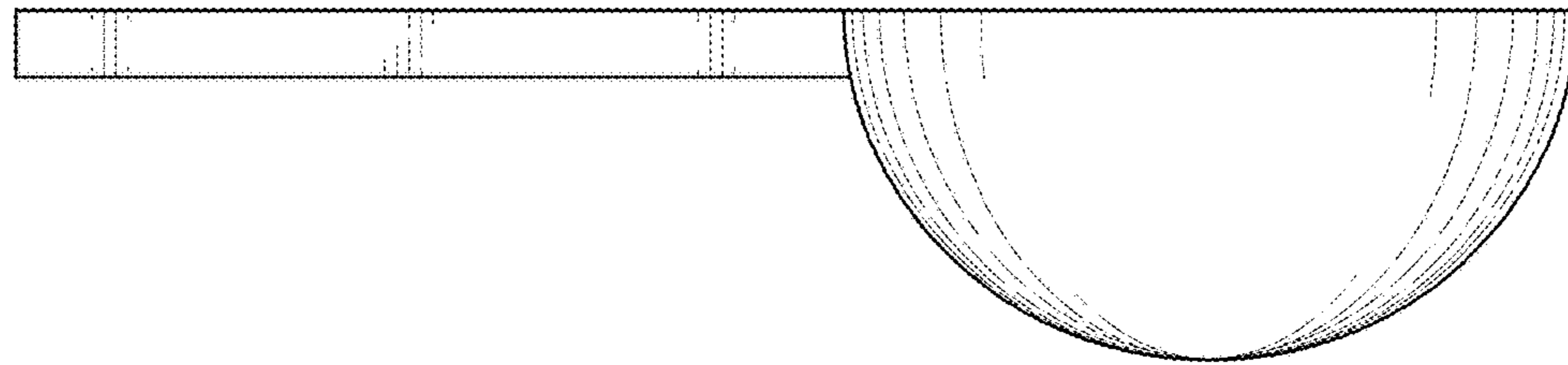


FIG. 2

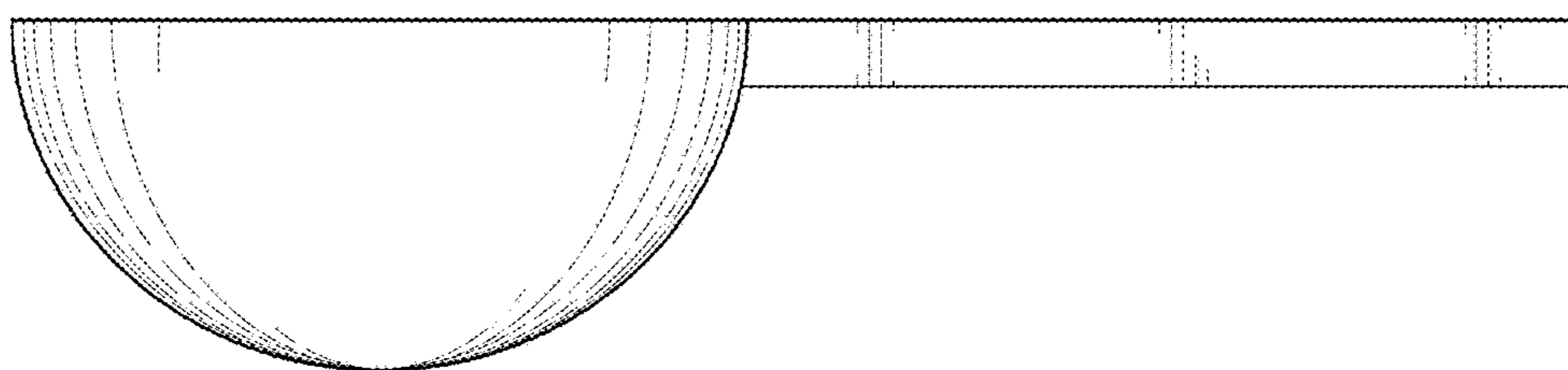


FIG. 3

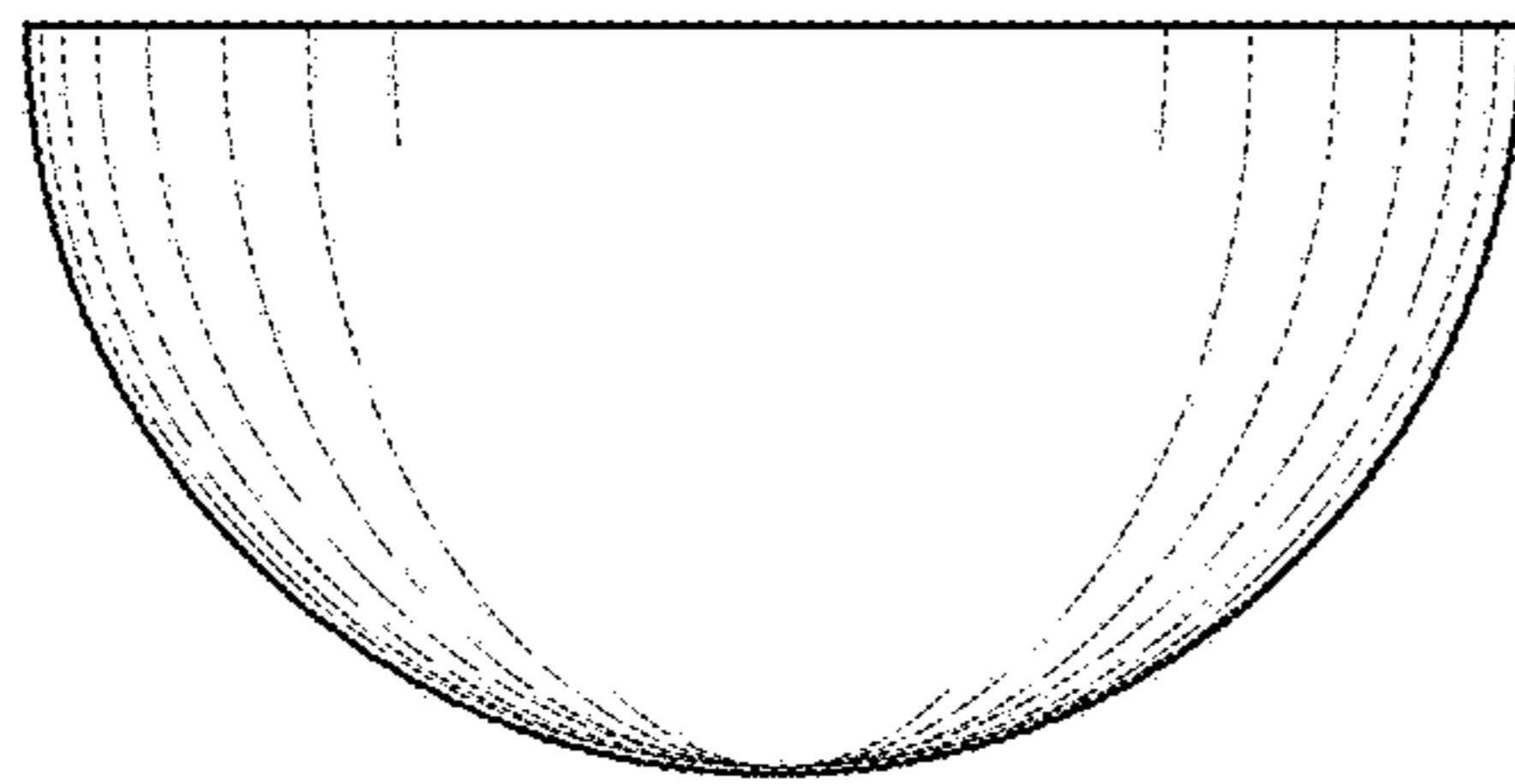


FIG. 4

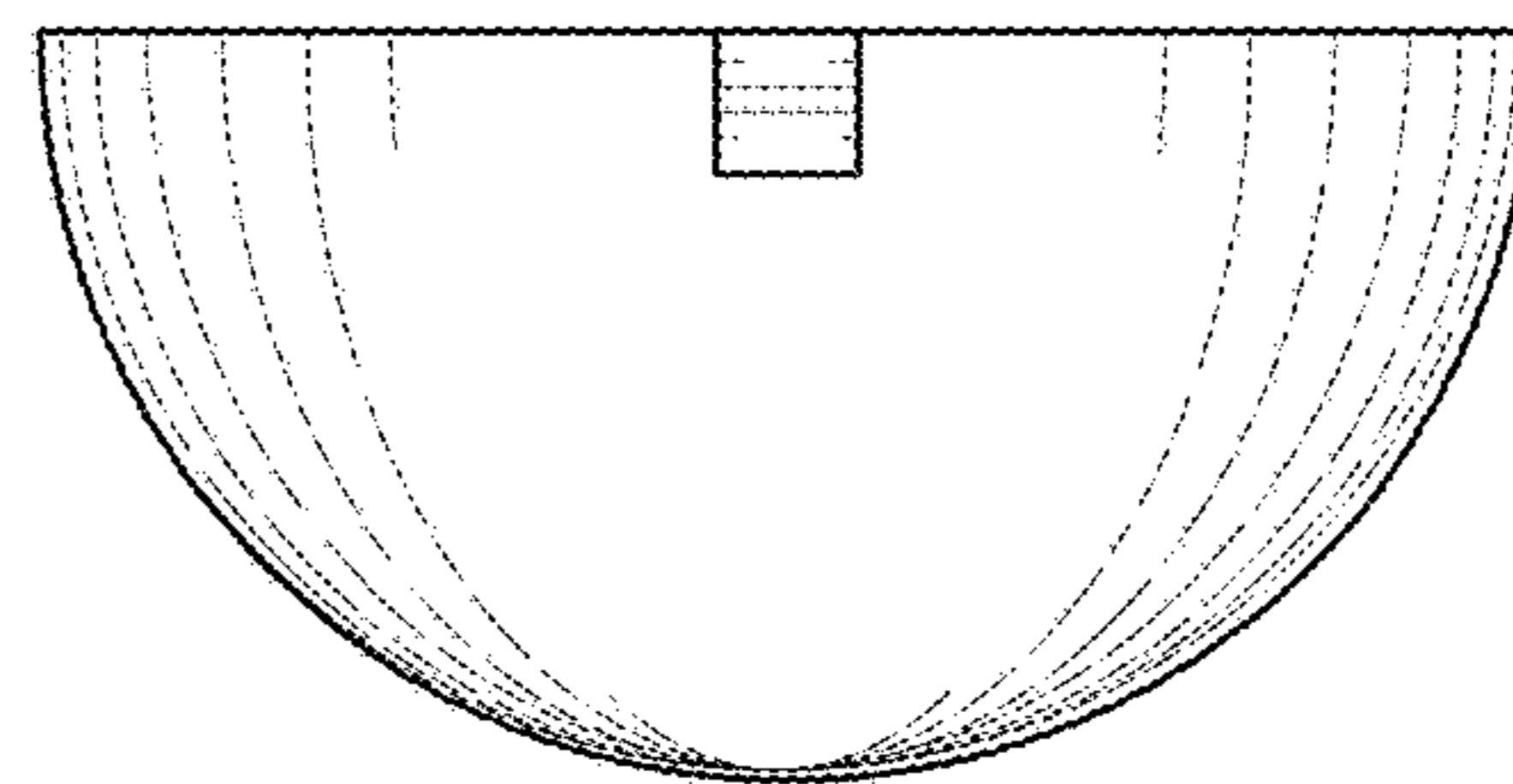


FIG. 5

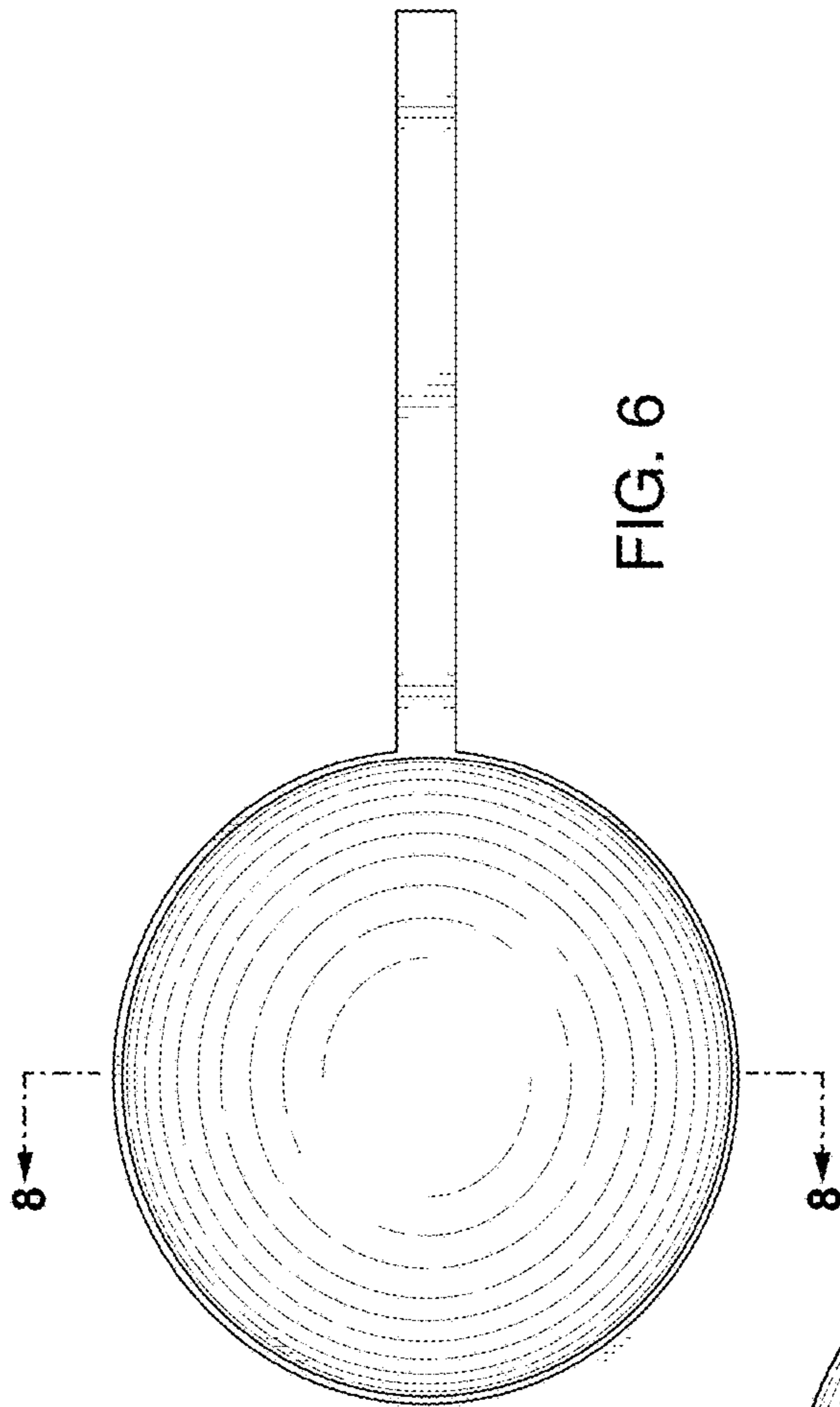


FIG. 6

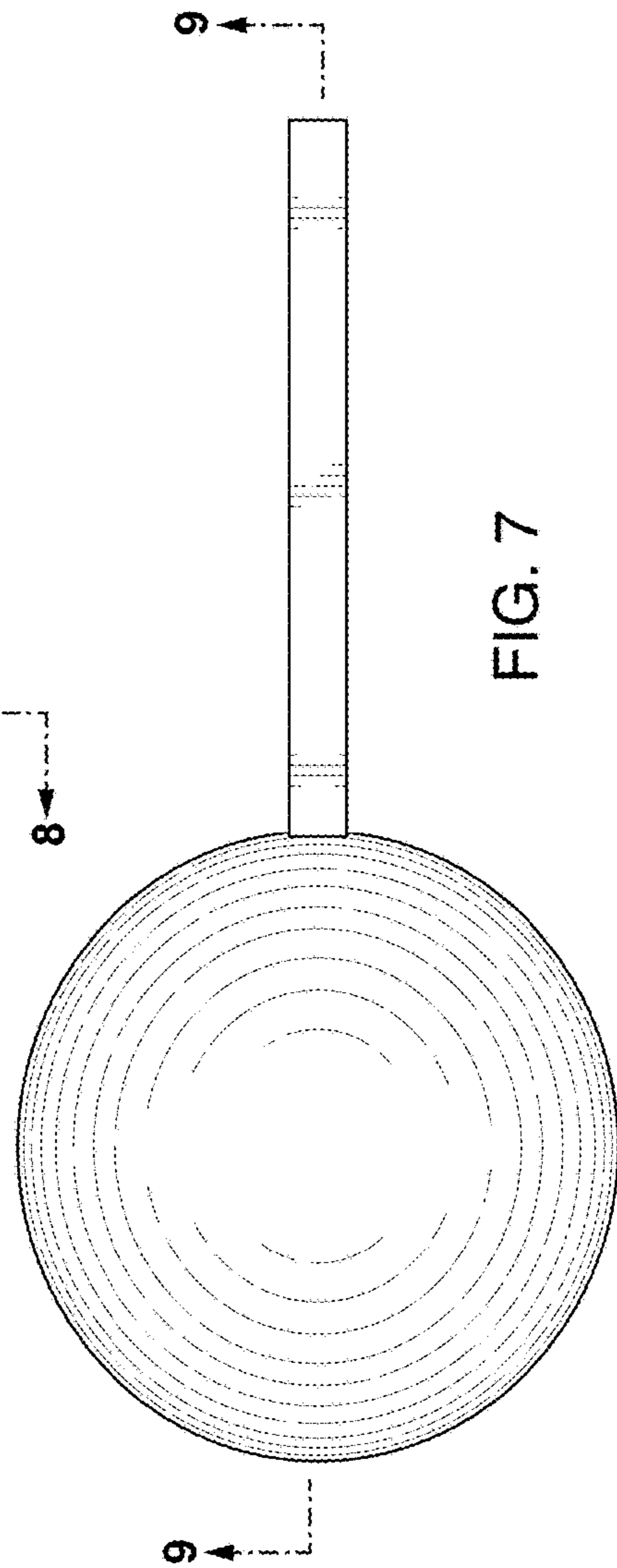


FIG. 7

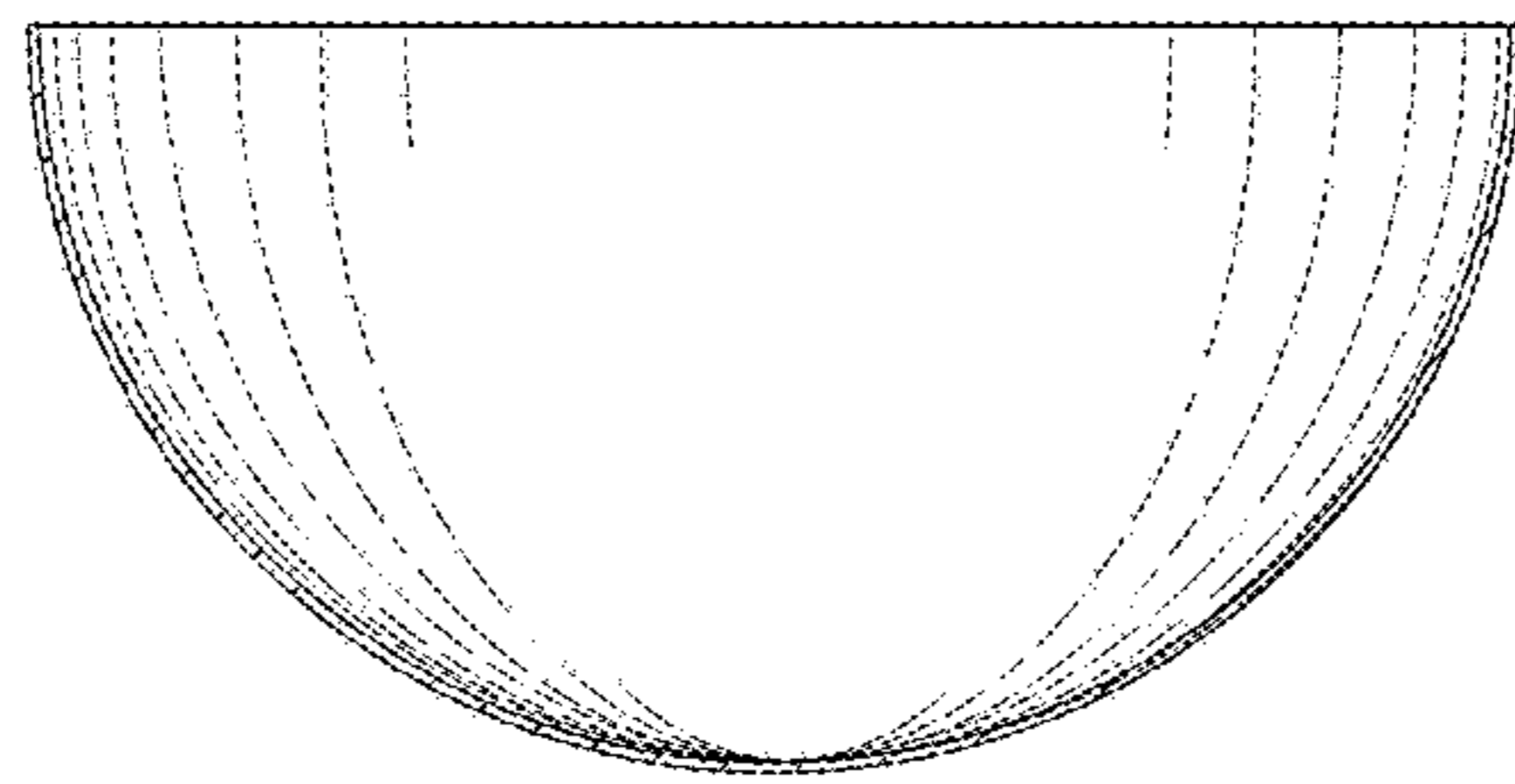


FIG. 8

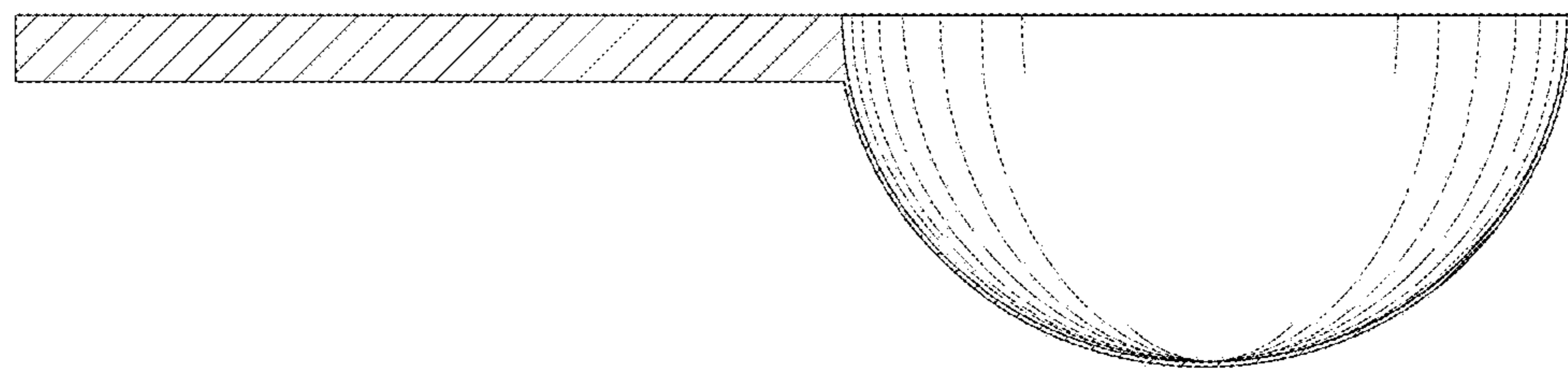


FIG. 9