



US00D867078S

(12) **United States Design Patent**
Murphy et al.

(10) **Patent No.:** **US D867,078 S**

(45) **Date of Patent:** **** Nov. 19, 2019**

(54) **GRATING PLATE**

D669,747 S * 10/2012 Scharf A47J 43/25
D7/678

(71) Applicants: **Deborah Murphy**, Lake Oswego, OR
(US); **Hillary Murphy**, Lake Oswego,
OR (US)

* cited by examiner

Primary Examiner — Terry A Wallace

(72) Inventors: **Deborah Murphy**, Lake Oswego, OR
(US); **Hillary Murphy**, Lake Oswego,
OR (US)

(74) *Attorney, Agent, or Firm* — Mohr Intellectual
Property Law Solutions, PC

(**) Term: **15 Years**

(57) **CLAIM**

(21) Appl. No.: **29/662,043**

We claim the ornamental design for a grating plate, as shown
and described.

(22) Filed: **Aug. 31, 2018**

(51) **LOC (12) Cl.** **07-04**

(52) **U.S. Cl.**

USPC **D7/678**

(58) **Field of Classification Search**

USPC D7/678, 669, 368, 693, 381
CPC .. A47J 19/04; A47J 17/02; A47J 17/04; A47J
43/00; A47J 43/25; A47J 43/255; B26D
1/30; B26D 7/18; B26D 9/00; B26B
11/006

See application file for complete search history.

DESCRIPTION

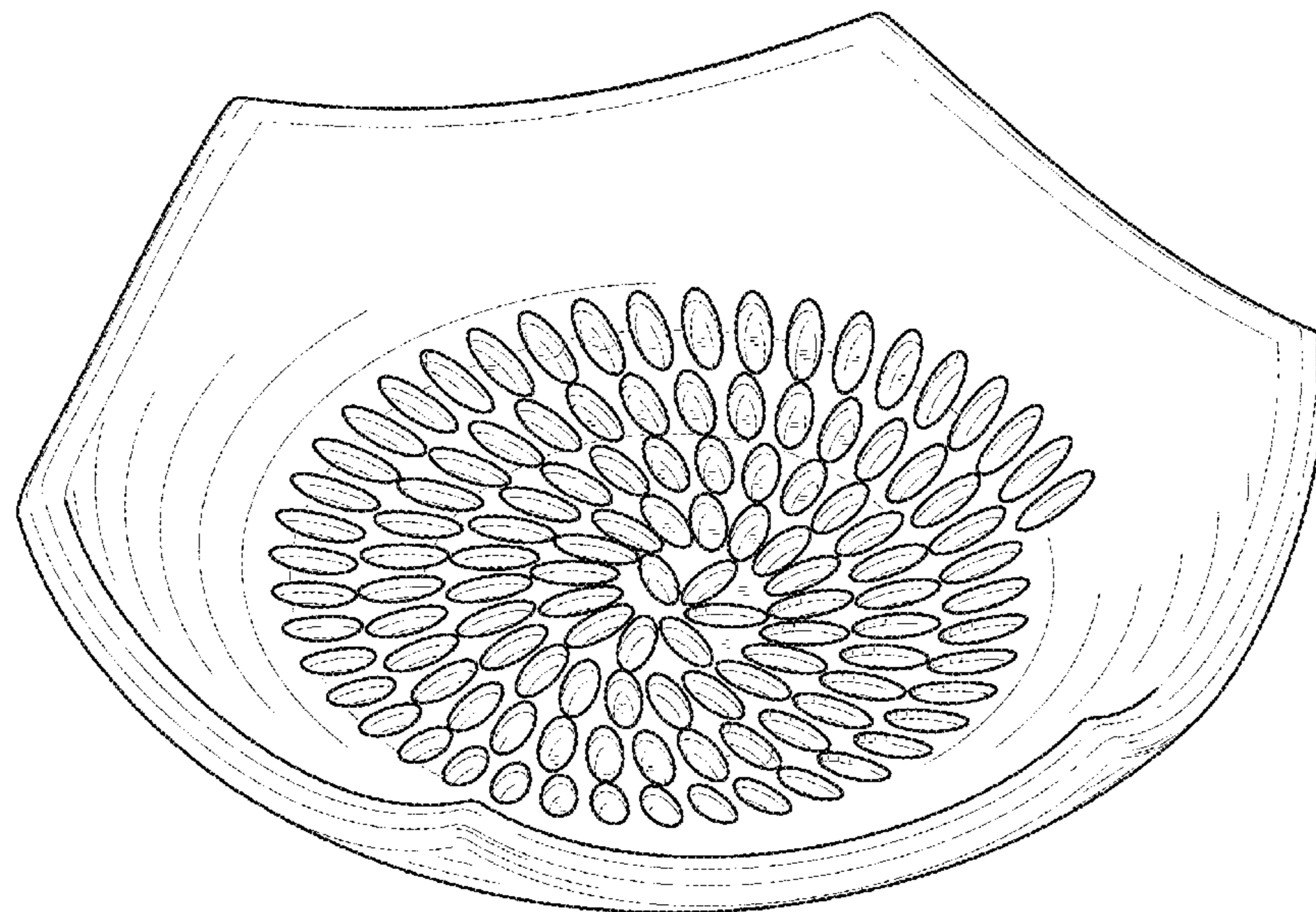
FIG. 1 is a top perspective view of a grating plate.
FIG. 2 is another top perspective view thereof.
FIG. 3 is a bottom perspective view thereof.
FIG. 4 is a first side elevation view thereof.
FIG. 5 is a second side elevation view thereof.
FIG. 6 is a third side elevation view thereof.
FIG. 7 is a fourth side elevation view thereof.
FIG. 8 is a top plan view thereof; and,
FIG. 9 is a bottom plan view thereof.
Any broken lines in the drawings illustrate portions of the
grating plate that form no part of the claimed design.

(56) **References Cited**

U.S. PATENT DOCUMENTS

D419,399 S * 1/2000 Couto D7/678
D640,512 S * 6/2011 Gorskey D7/665
D666,882 S * 9/2012 Smith D7/678

1 Claim, 9 Drawing Sheets



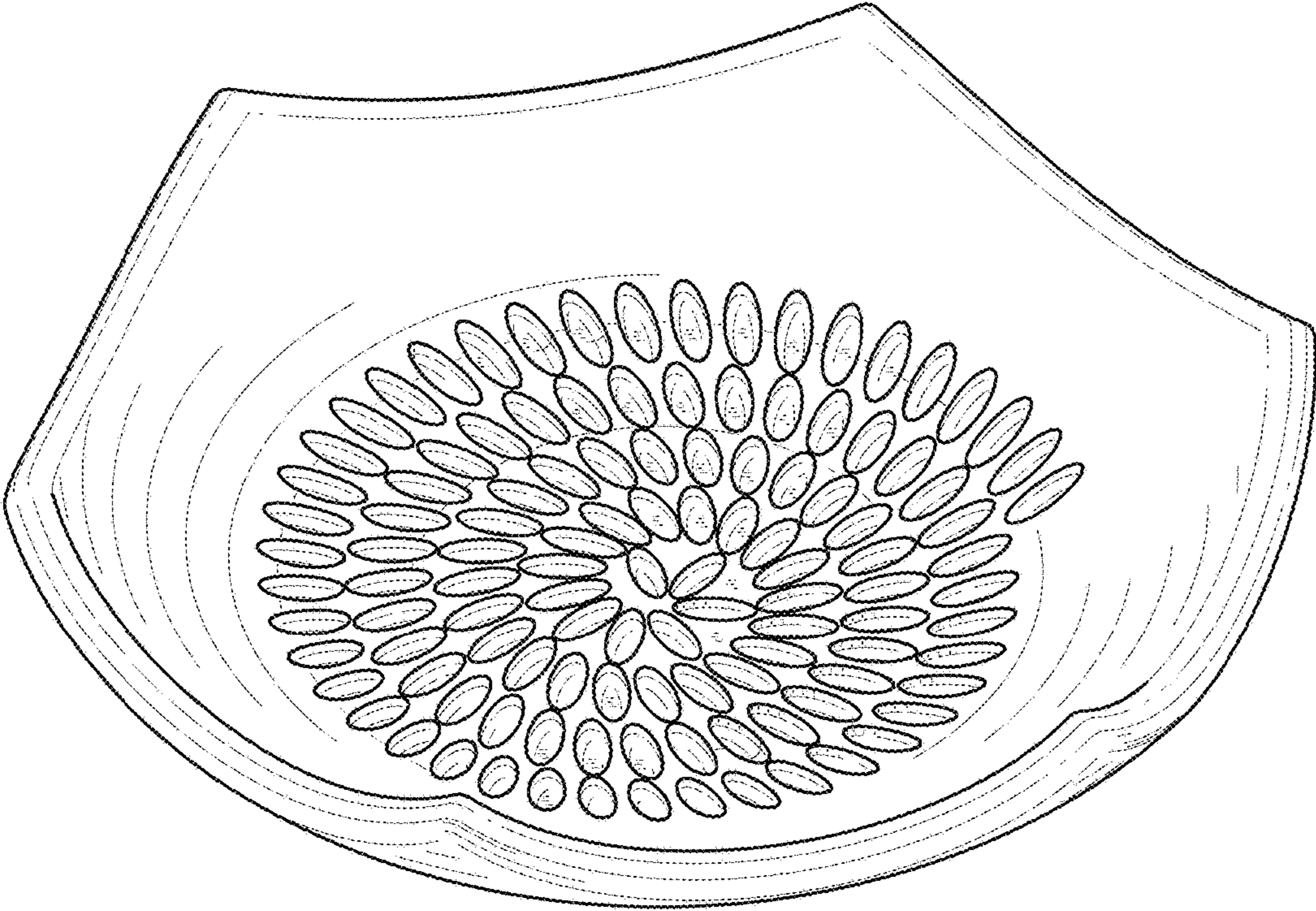


FIG. 1

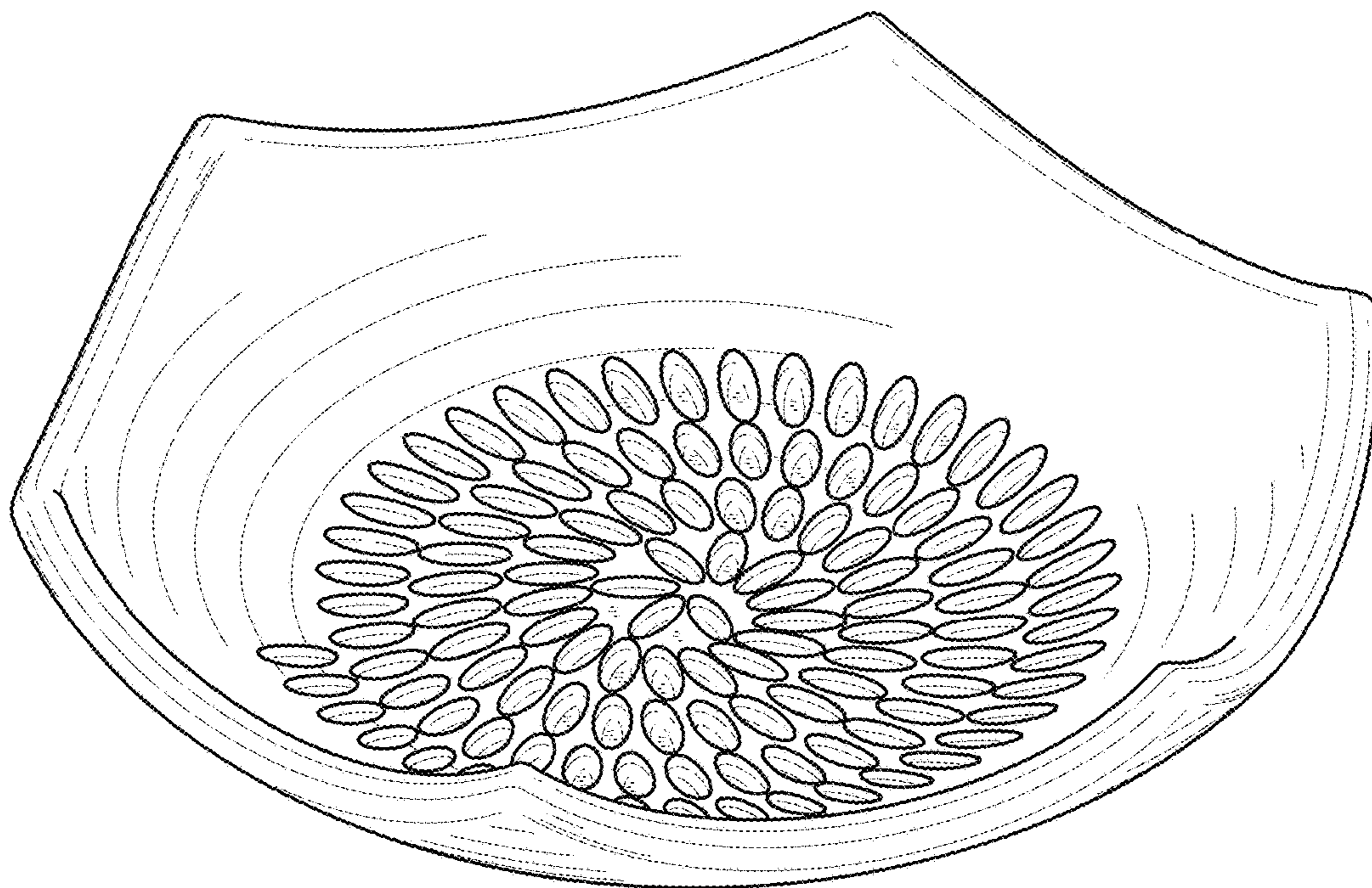


FIG. 2

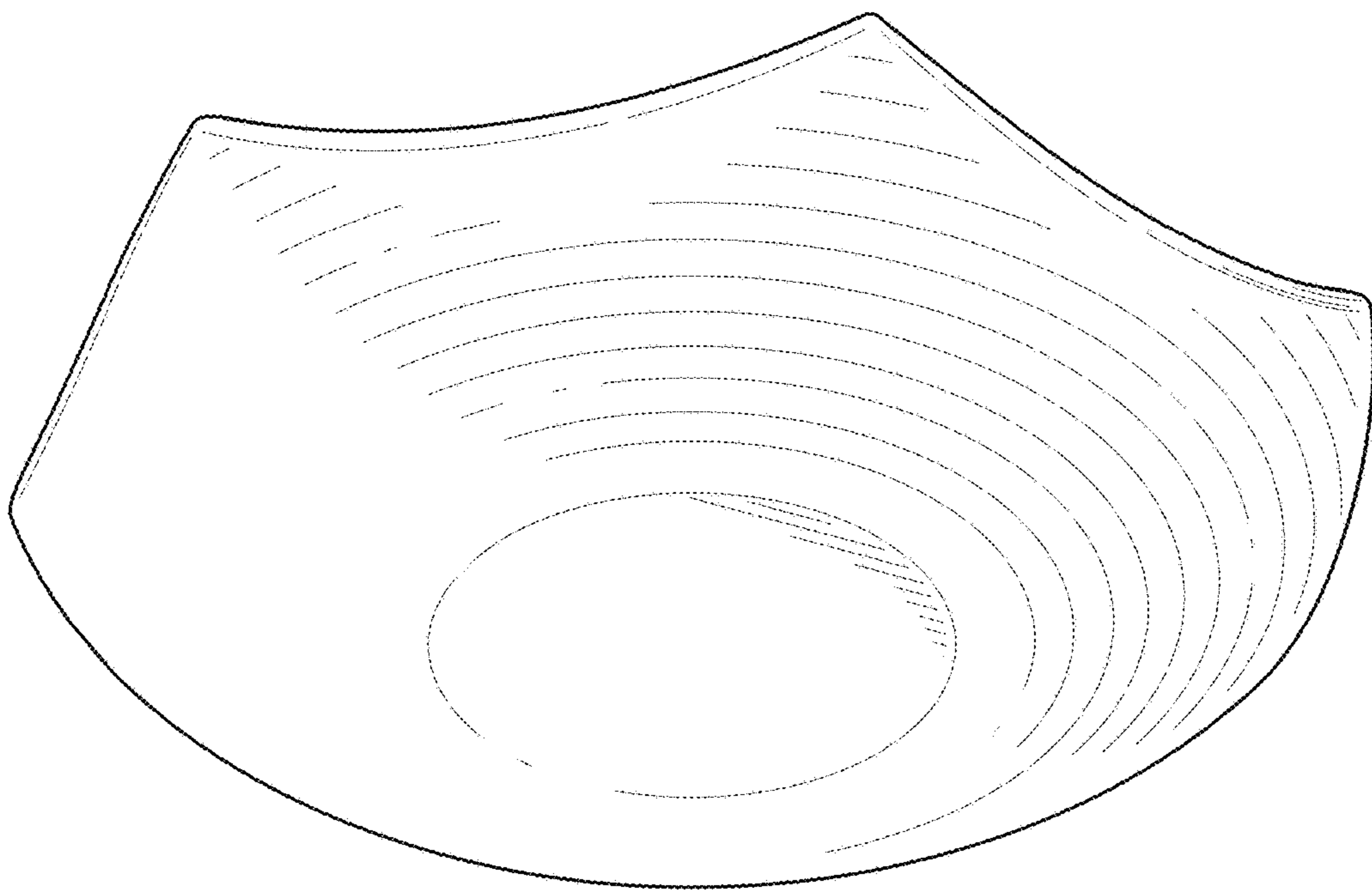


FIG. 3

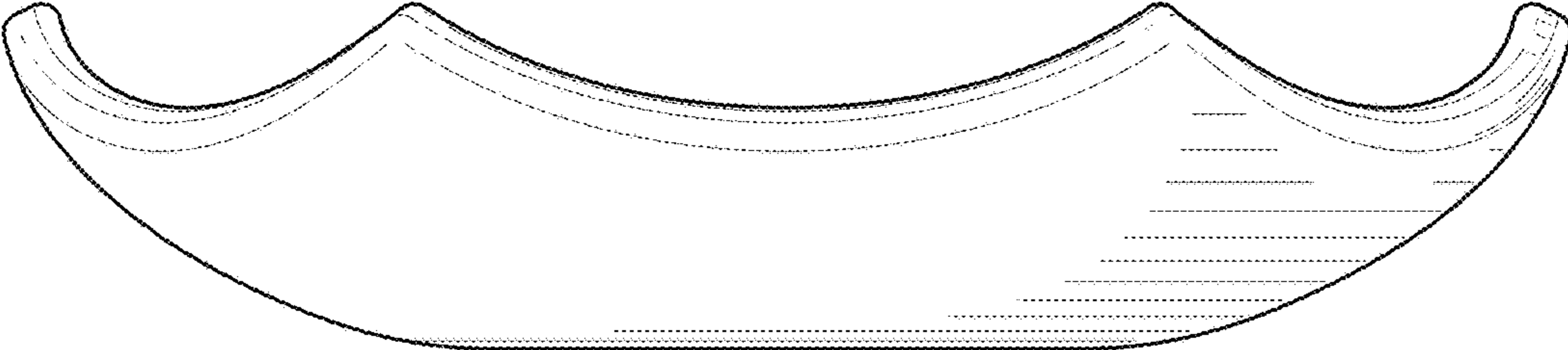


FIG. 4

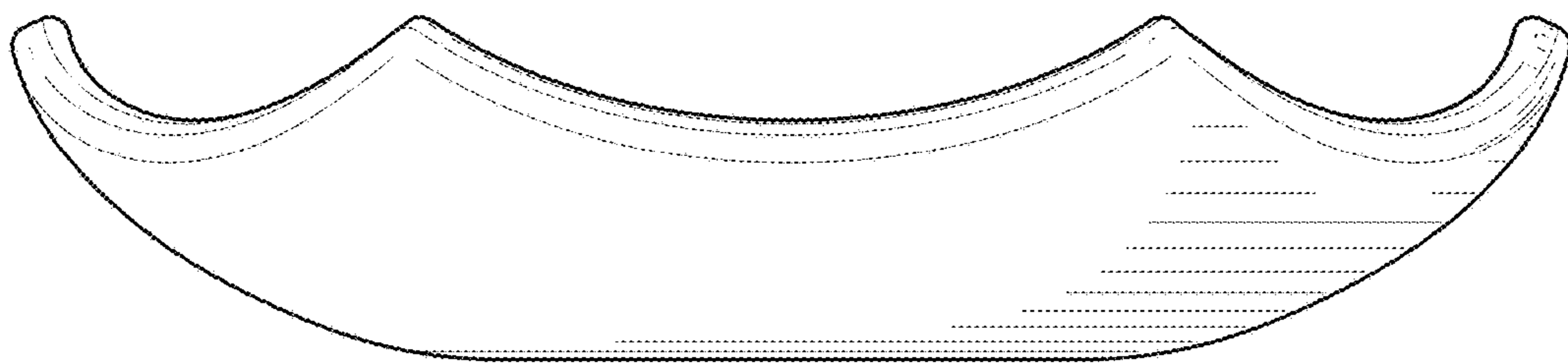


FIG. 5

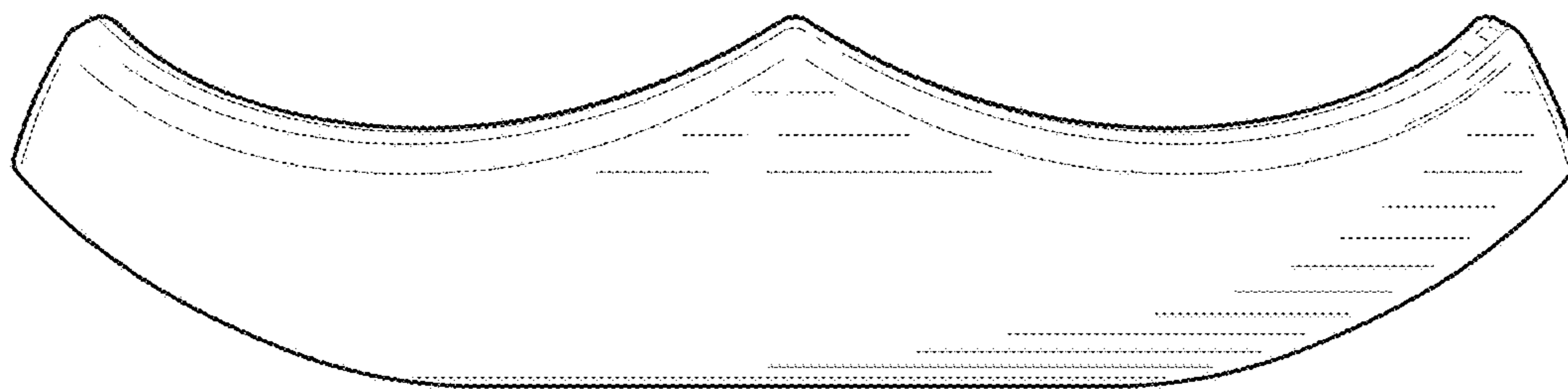


FIG. 6

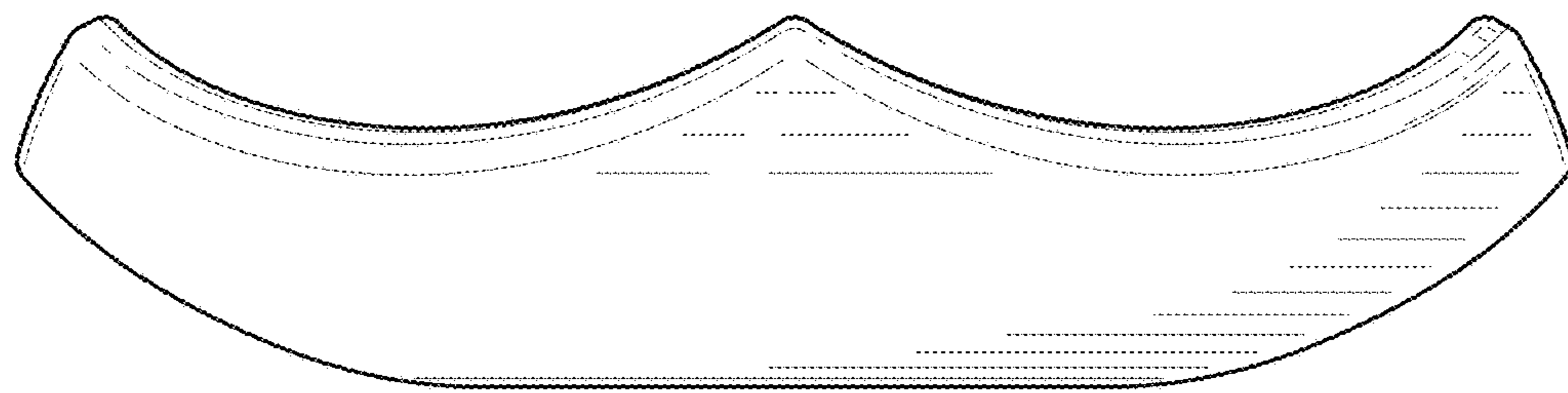


FIG. 7

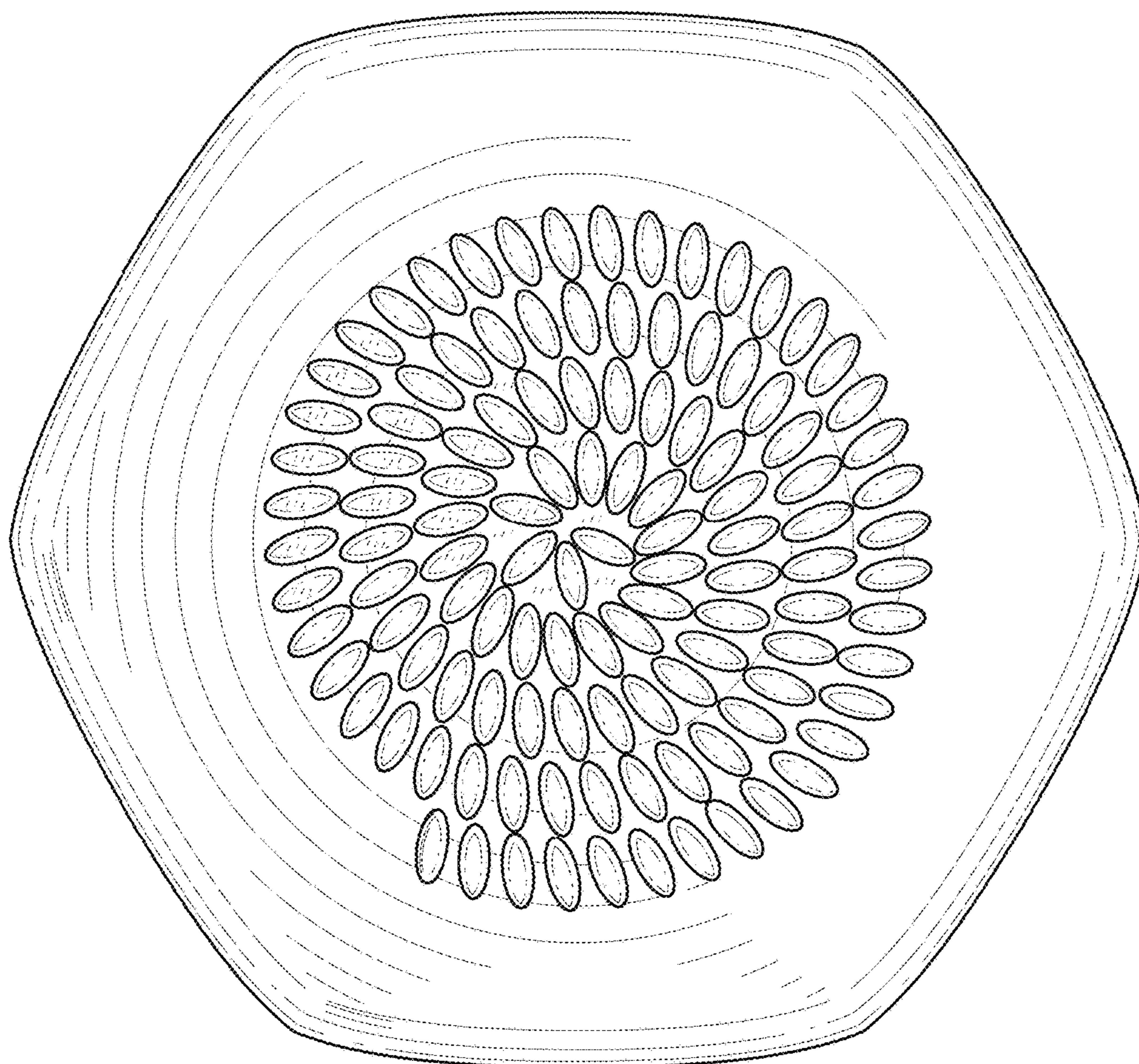


FIG. 8

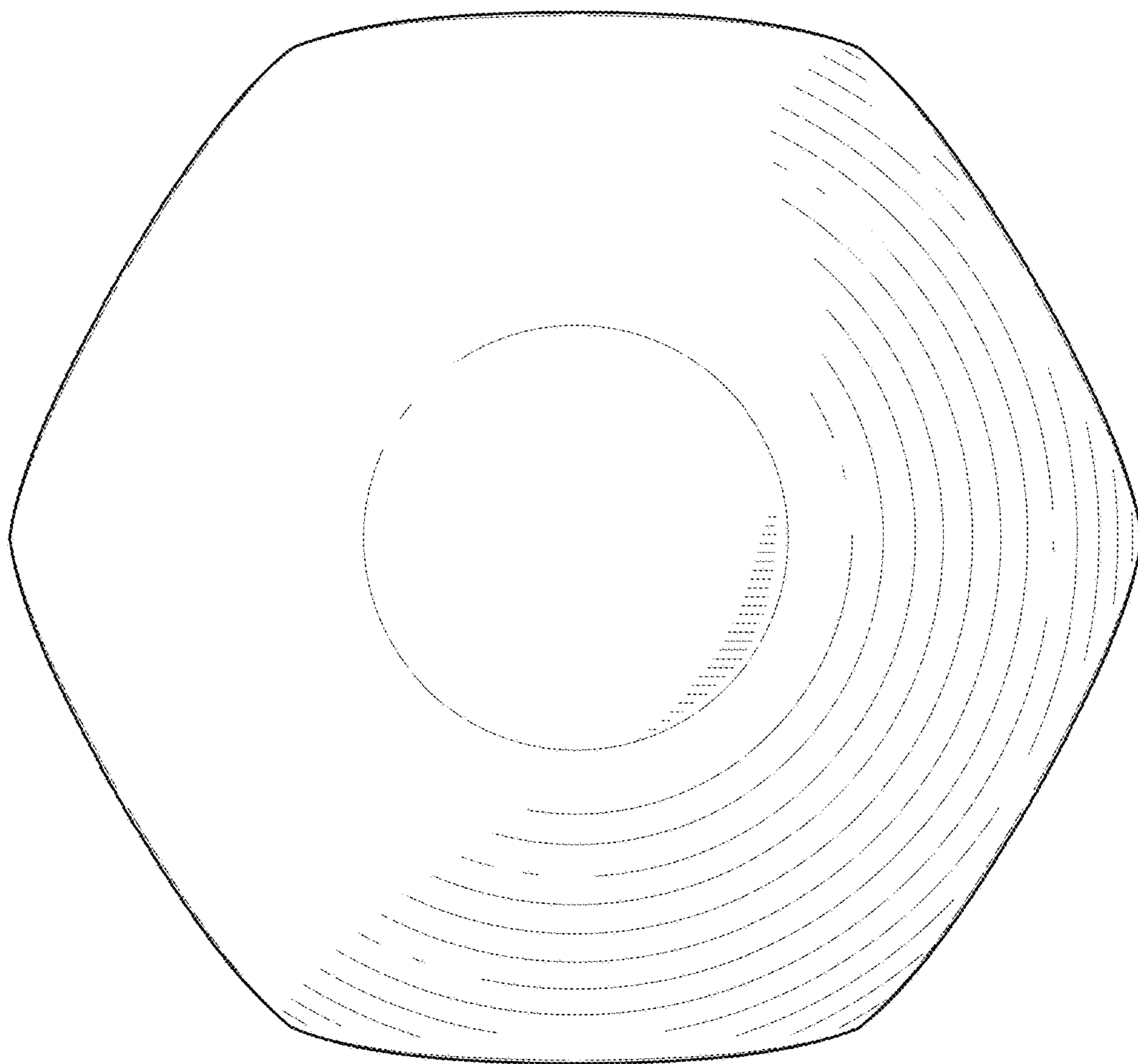


FIG. 9