

US00D867077S

(12) **United States Design Patent**  
**Zemel et al.**

(10) **Patent No.:** **US D867,077 S**

(45) **Date of Patent:** **\*\* Nov. 19, 2019**

(54) **FOOD PRESS**

7,586,067 B2 \* 9/2009 Hill ..... A47J 43/18

219/729

(71) Applicant: **Mr. Bar-B-Q Products LLC**, Melville,  
NY (US)

D759,440 S \* 6/2016 Schuler ..... D7/682

\* cited by examiner

(72) Inventors: **Marc Zemel**, Melville, NY (US);  
**Joanne Rudis**, Melville, NY (US)

*Primary Examiner* — Terry A Wallace

(74) *Attorney, Agent, or Firm* — Carter, DeLuca & Farrell  
LLP

(73) Assignee: **MR. BAR-B-Q PRODUCTS LLC**,  
Melville, NY (US)

(\*\*) Term: **15 Years**

(57) **CLAIM**

(21) Appl. No.: **29/659,652**

The ornamental design for a food press, as shown and  
described.

(22) Filed: **Aug. 10, 2018**

(51) **LOC (12) Cl.** ..... **07-04**

(52) **U.S. Cl.**

USPC ..... **D7/669**; D7/682

(58) **Field of Classification Search**

USPC ..... D7/669, 682; D6/512, 515, 518, 523,  
D6/546, 549

CPC ..... A47J 37/108; A47J 43/18; A47J 43/00

See application file for complete search history.

**DESCRIPTION**

FIG. 1 is a perspective view of a food press in accordance  
with the present design;

FIG. 2 is a right side elevational view thereof;

FIG. 3 is a left side elevational view thereof;

FIG. 4 is a front elevational view thereof;

FIG. 5 is a rear elevational view thereof;

FIG. 6 is a top plan view thereof; and,

FIG. 7 is a bottom plan view thereof.

The broken lines shown in the drawings illustrate portions of  
the food press that form no part of the claimed design.

(56) **References Cited**

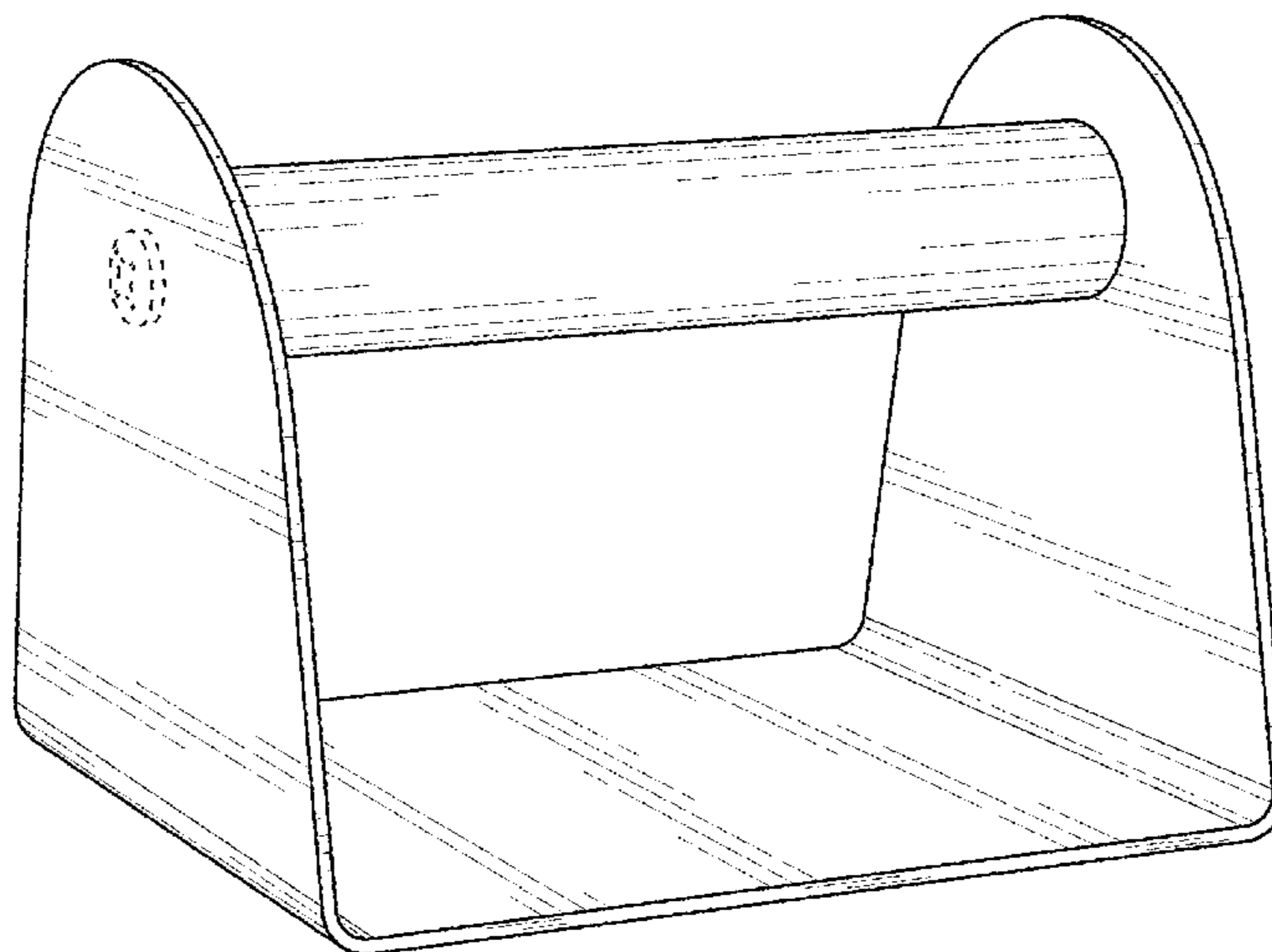
**U.S. PATENT DOCUMENTS**

4,635,538 A \* 1/1987 Polster ..... A47J 37/0611

220/573.2

D525,834 S \* 8/2006 Muskat ..... D7/669

**1 Claim, 4 Drawing Sheets**



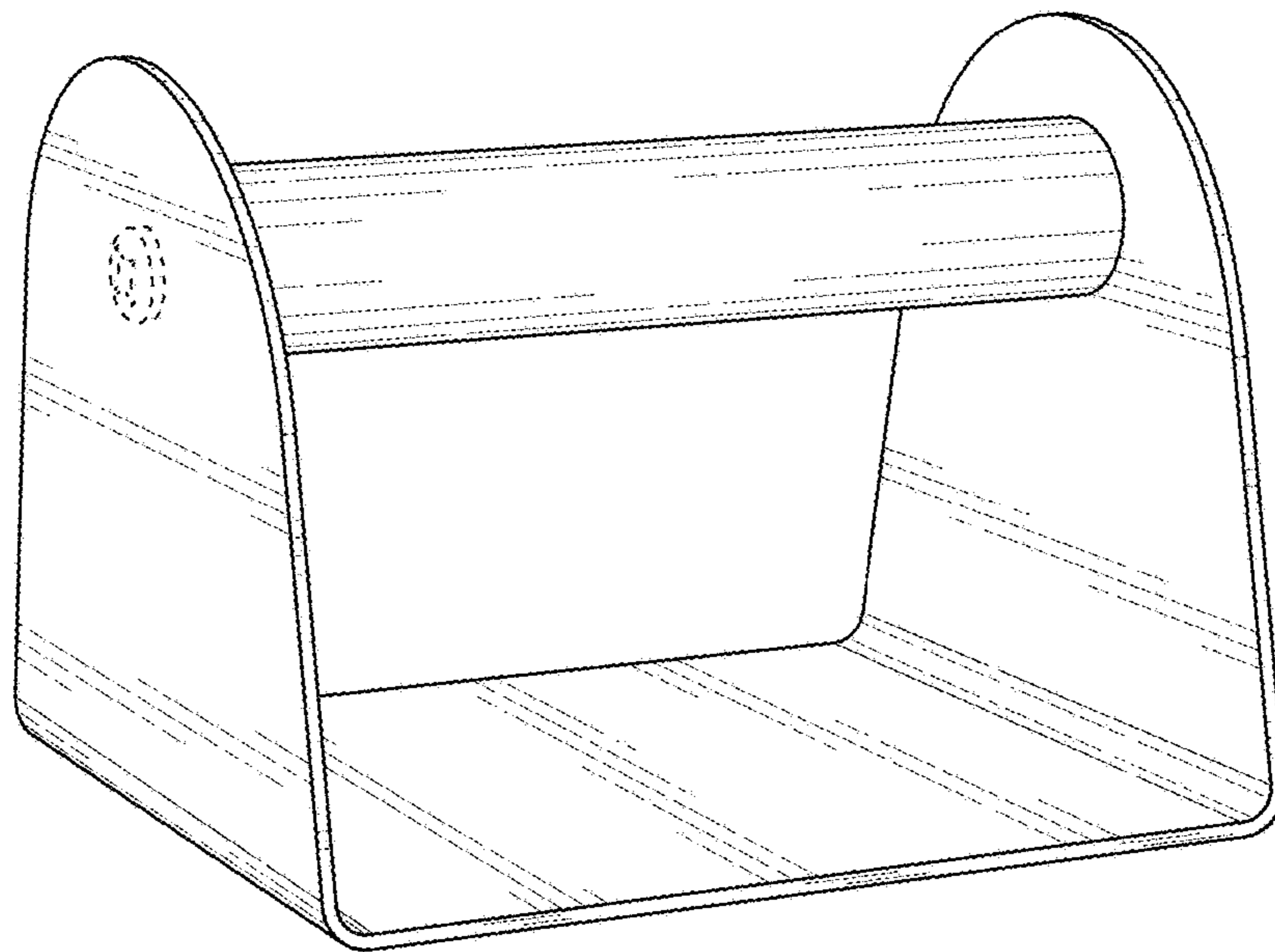


FIG. 1

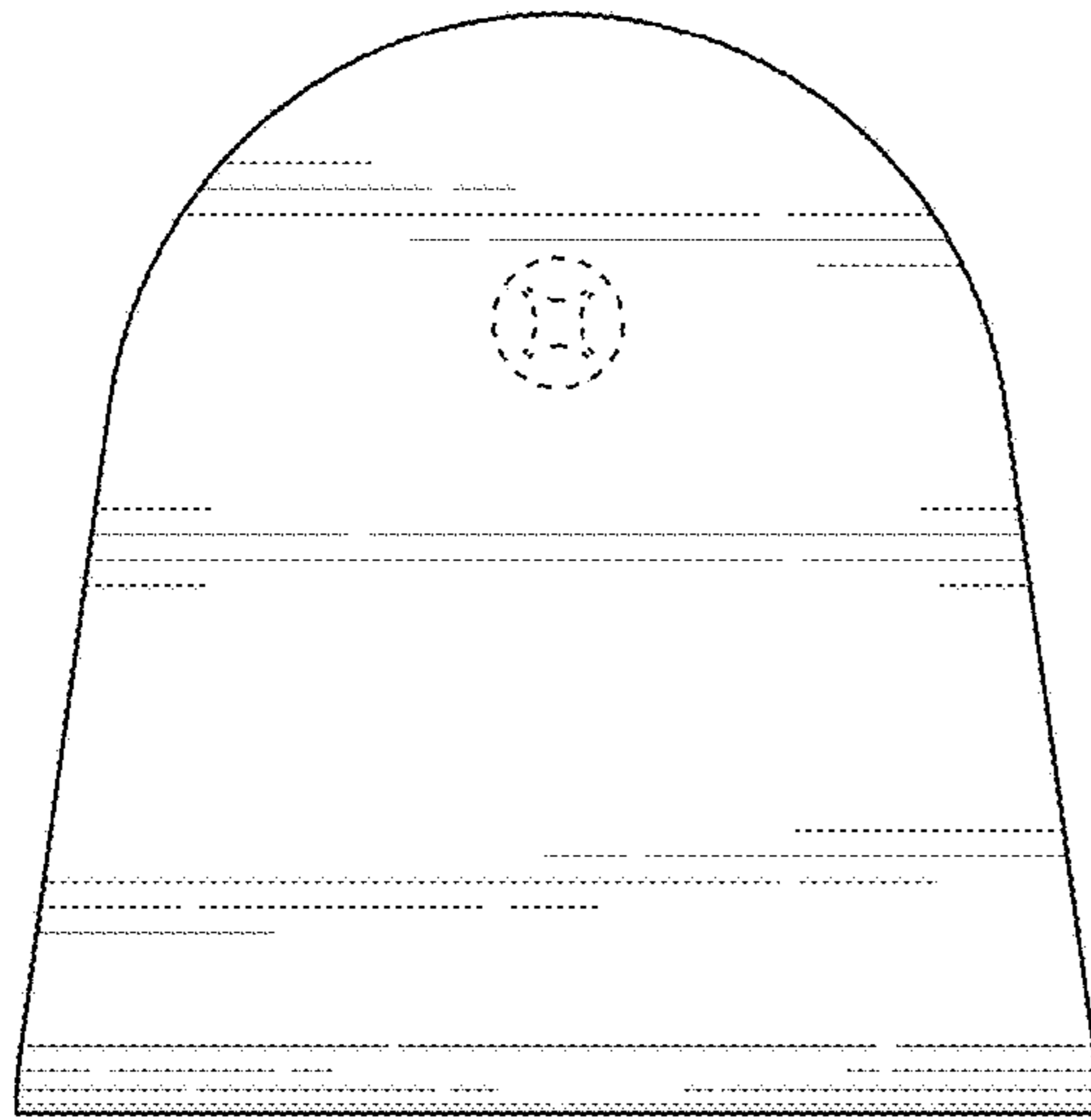


FIG. 2

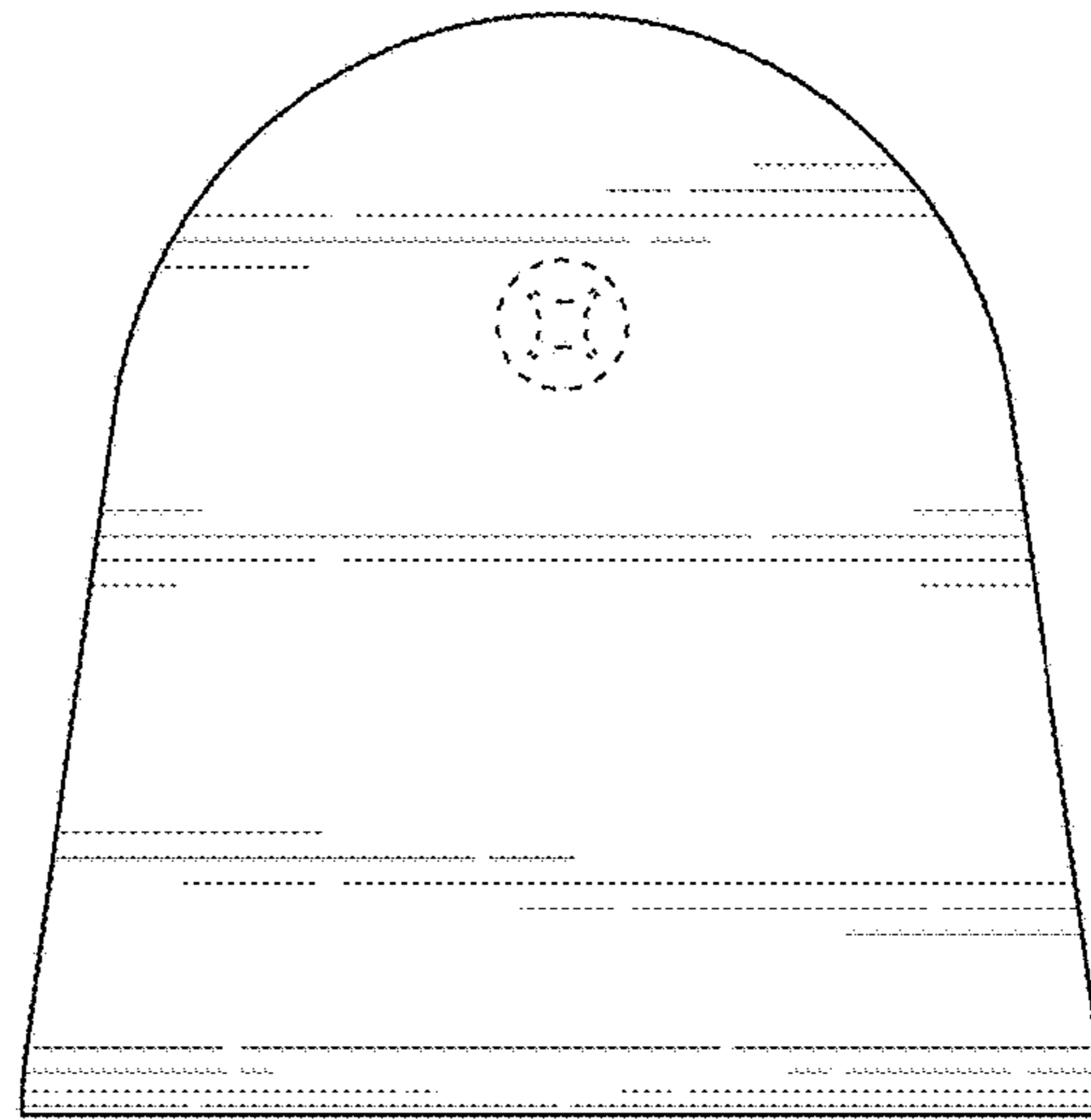


FIG. 3

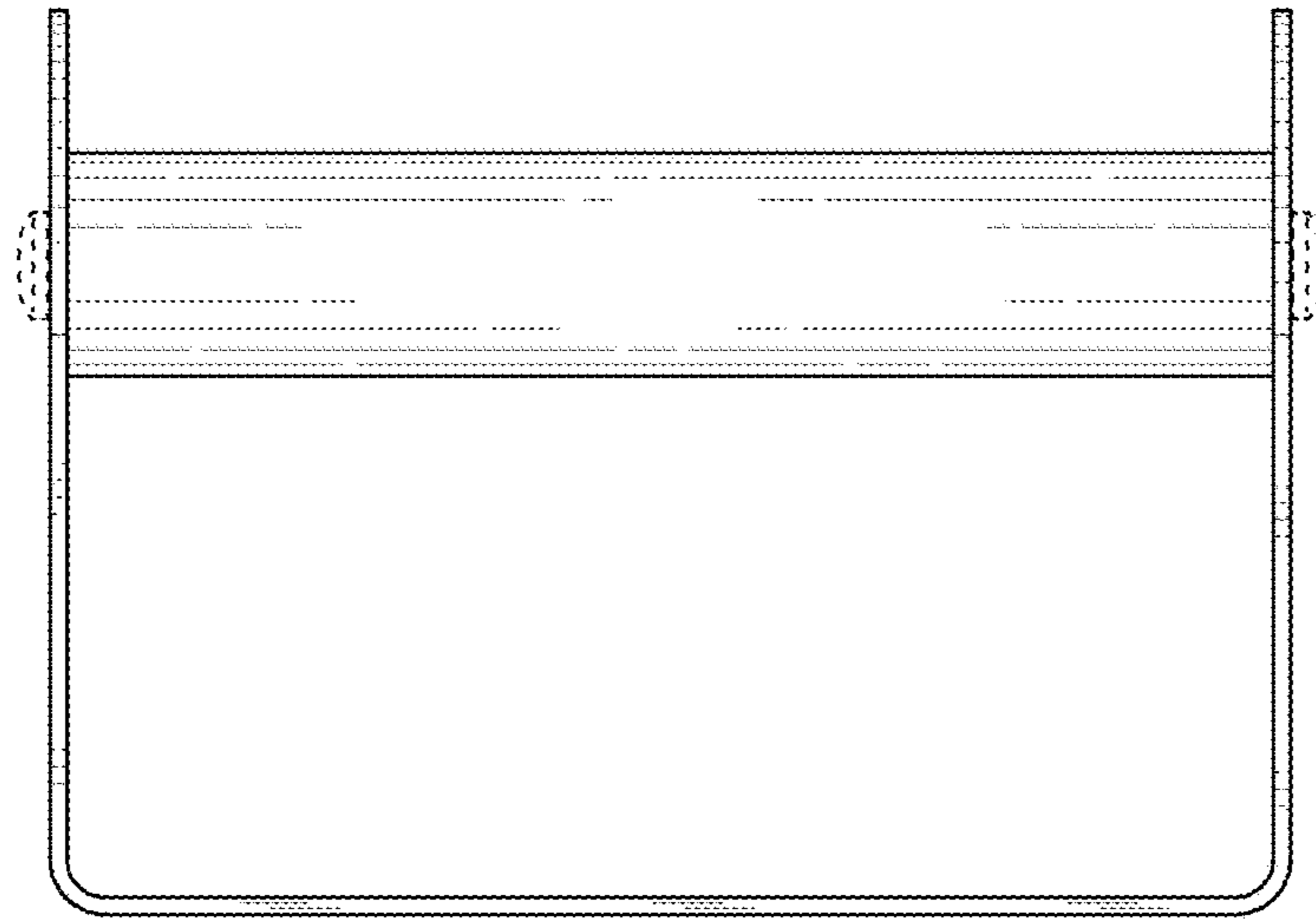


FIG. 4

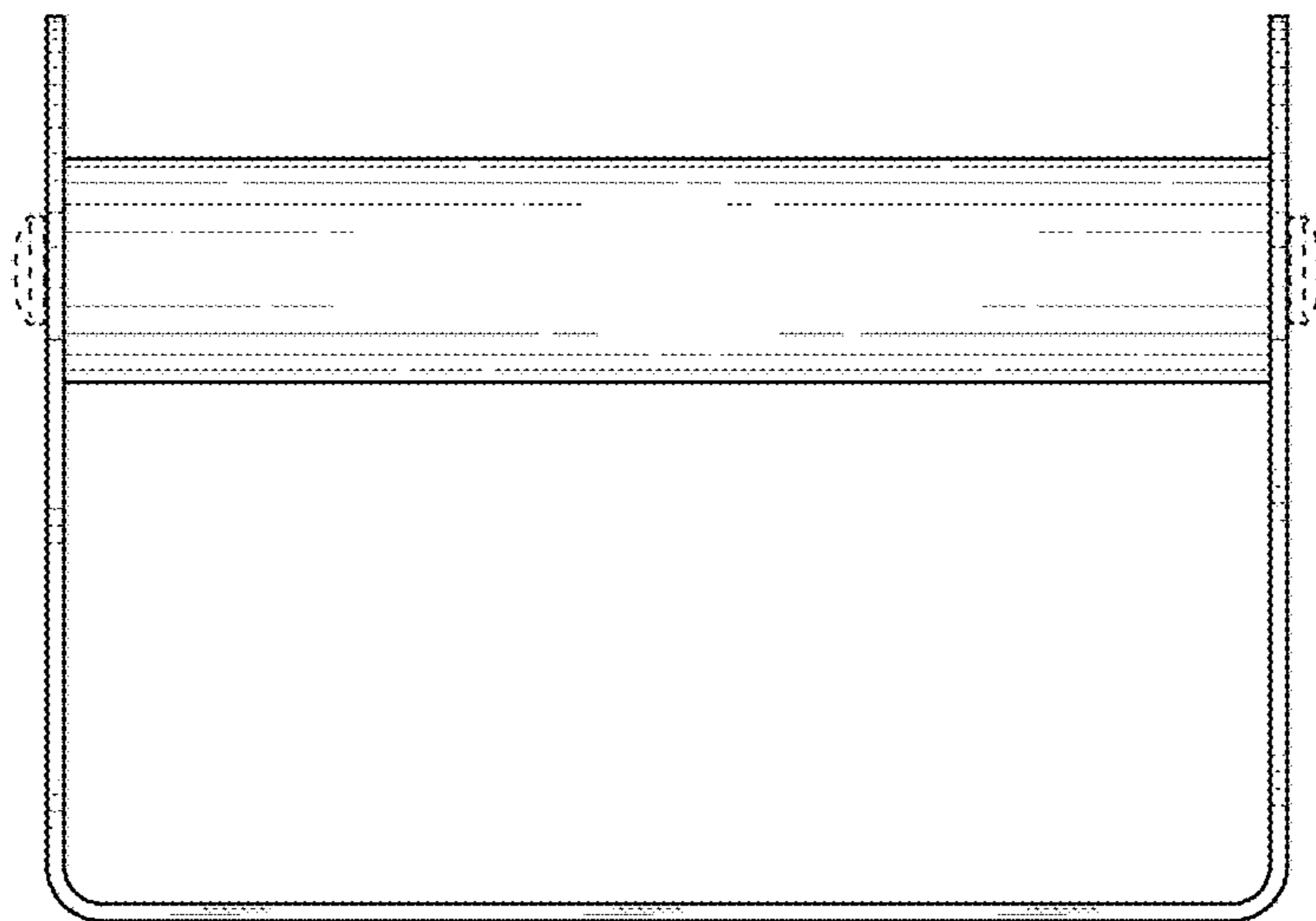


FIG. 5

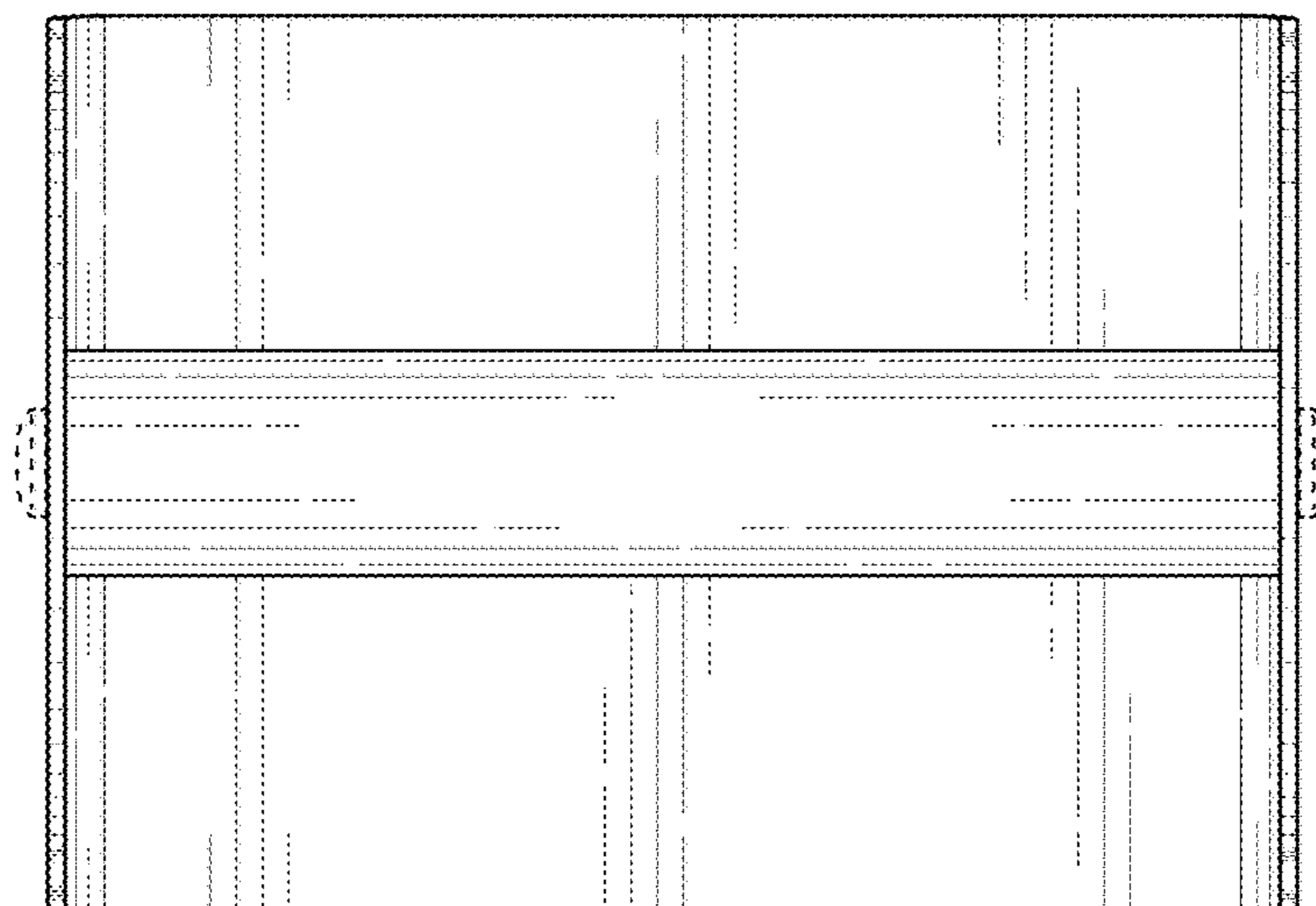


FIG. 6

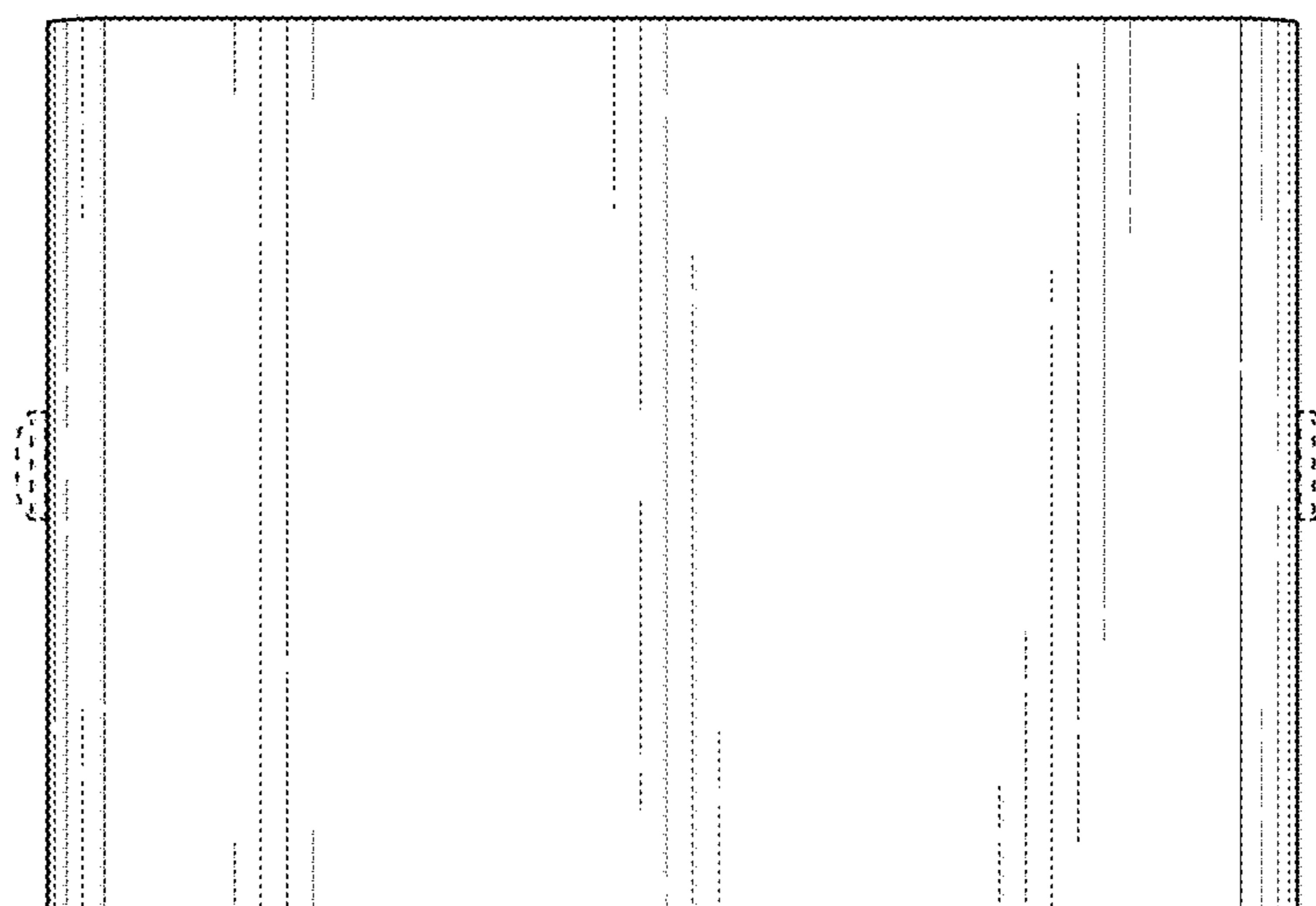


FIG. 7