

US00D867076S

(12) **United States Design Patent**
Williams

(10) **Patent No.:** **US D867,076 S**

(45) **Date of Patent:** **** Nov. 19, 2019**

(54) **SOUND DEVICE**

(71) Applicant: **Richard A. Williams**, Allentown, PA
(US)

(72) Inventor: **Richard A. Williams**, Allentown, PA
(US)

(**) Term: **15 Years**

(21) Appl. No.: **29/550,985**

(22) Filed: **Jan. 8, 2016**

(51) **LOC (12) Cl.** **07-07**

(52) **U.S. Cl.**

USPC **D7/638**; D14/172; D14/207; D14/215

(58) **Field of Classification Search**

USPC D14/168, 188, 196, 204, 197, 198, 172,
D14/193-195, 203.1, 203.2, 203.7, 207,
D14/209.1, 210-216, 219, 221;
D7/637-641

CPC B60R 11/0217; G06F 1/1688; G10K 9/22;
G10K 11/004; H03F 1/327; H04M 1/03;
H04M 1/035; H04N 5/642; H04N
21/4852; H04S 3/00; H04S 7/30; H04R
1/02; H04R 1/06; H04R 1/021; H04R
1/025; H04R 1/026; H04R 1/028; H04R
1/105; H04R 1/323; H04R 1/403; H04R
1/2803; H04R 1/2834; H04R 5/02; H04R
7/20; H04R 9/06; H04R 9/025; H04R
2201/021; H04R 2400/00; H04R 2400/07;
H04R 2499/11; H04R 2499/13; H04R
2499/15; B24D 15/08; B24D 15/084

See application file for complete search history.

(56) **References Cited**

U.S. PATENT DOCUMENTS

D213,447 S * 3/1969 Small D12/415
D218,438 S * 8/1970 Shook D12/190
D222,357 S * 10/1971 Locher D14/496
D229,500 S * 12/1973 Krumin D13/107

D233,428 S * 10/1974 Hestand D12/415
D271,171 S * 11/1983 Kinkade D7/637
D294,494 S * 3/1988 Kountz D14/214
D382,774 S * 8/1997 Cohen A47G 21/14
D7/637
D421,879 S * 3/2000 Miller D7/637
D429,684 S * 8/2000 Johnson D12/415
D453,318 S * 2/2002 Moore D12/415
6,394,627 B1 * 5/2002 Lo A47G 21/14
362/127
D471,072 S * 3/2003 Gordner D7/637
D488,676 S * 4/2004 Bradshaw D7/637
7,210,725 B2 * 5/2007 Moore B60K 37/00
296/24.34
8,701,900 B2 * 4/2014 Childers G10G 5/00
181/199

(Continued)

OTHER PUBLICATIONS

YouTube—Sound Utility Block, announced Jun. 30, 2017 [online],
[site visited Sep. 14, 2017]. Available from internet, URL: <https://
www.youtube.com/watch?v=-TTMaVWjvac>.*

(Continued)

Primary Examiner — Keli L Hill

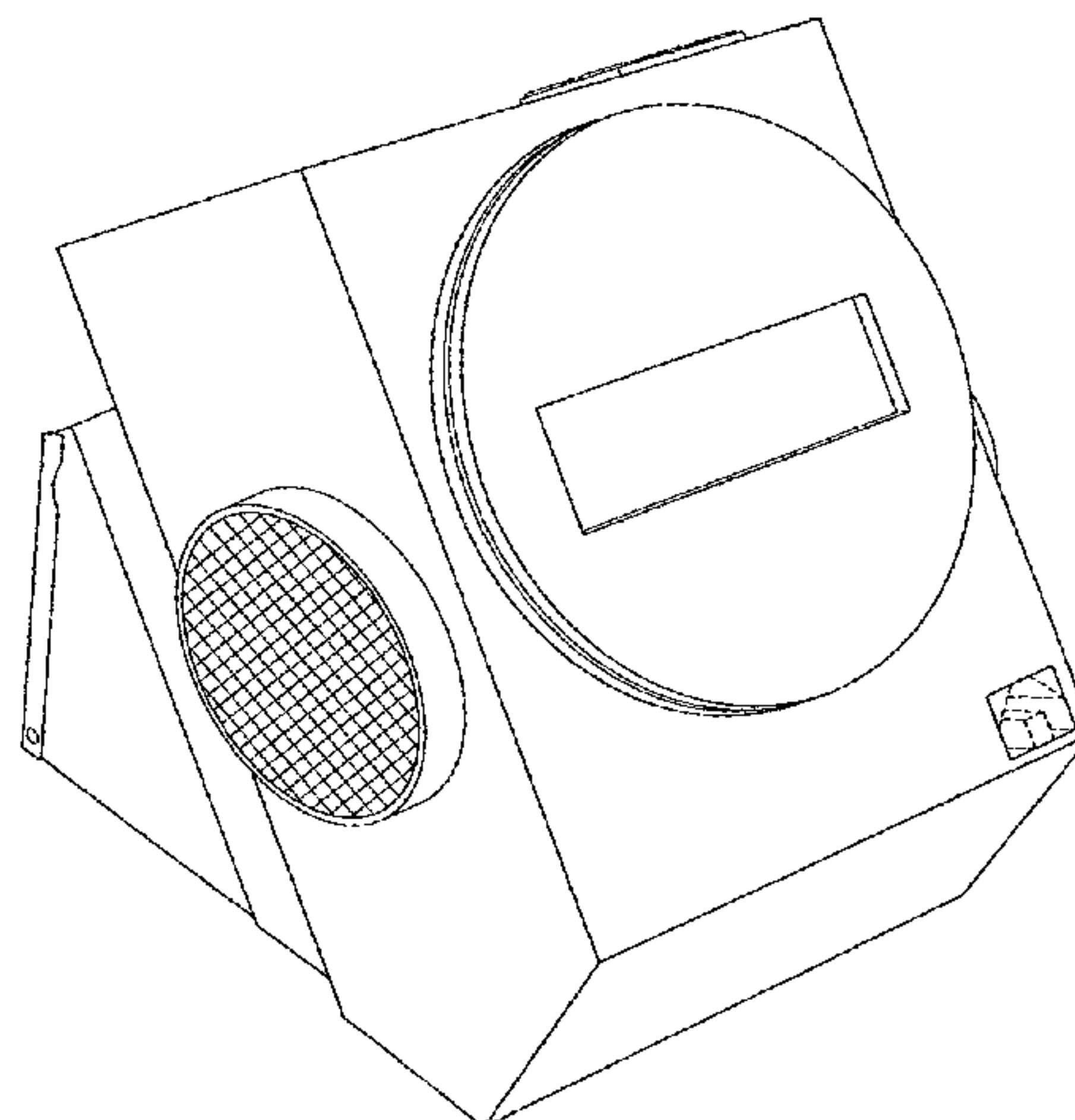
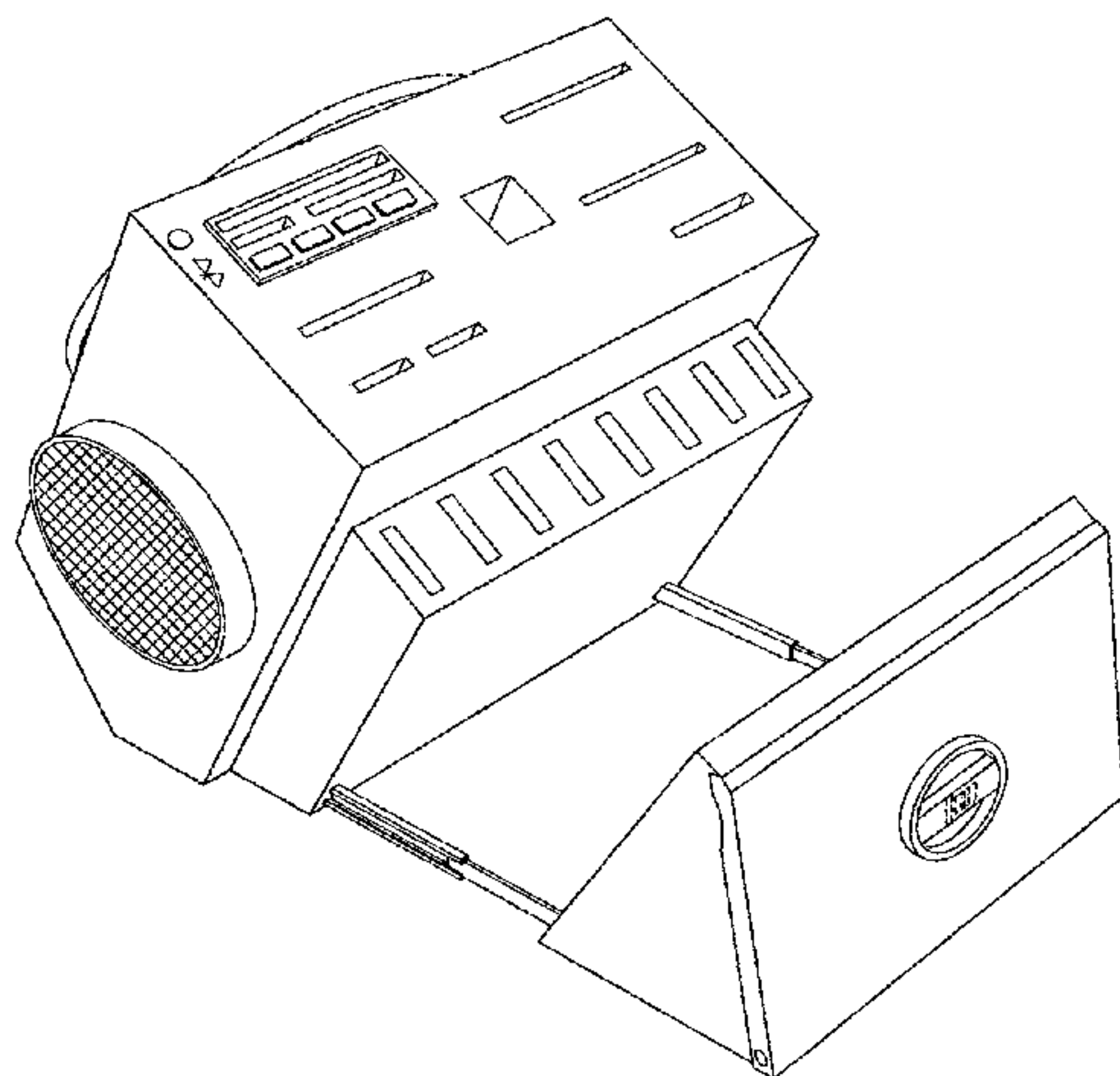
(57) **CLAIM**

The ornamental design for a sound device, as shown and
described.

DESCRIPTION

FIG. 1 is a top, front and right side perspective view of a
sound device, showing my new design in an extended
position;
FIG. 2 is a front elevation view thereof;
FIG. 3 is a left side elevation view thereof, shown with the
front door element in an open position;
FIG. 4 is a top, front and left side perspective view thereof;
and,
FIG. 5 is a rear, right side perspective view thereof.

1 Claim, 5 Drawing Sheets



(56)

References Cited

U.S. PATENT DOCUMENTS

D717,617 S * 11/2014 Pascuzzo D8/1
D764,876 S * 8/2016 Liu D7/637
D766,047 S * 9/2016 Liu D7/637
D776,492 S * 1/2017 Keyes D7/637
9,744,649 B2 * 8/2017 Williams B24D 15/084
D819,593 S * 6/2018 Lee D14/197
D838,554 S * 1/2019 Thompson D7/637
D852,003 S * 6/2019 Rusch D7/637
2004/0148787 A1 * 8/2004 Rosenberg A47G 21/14
30/298.4
2016/0046309 A1 * 2/2016 Bar-Erez B25H 3/023
280/47.18

OTHER PUBLICATIONS

Mike Shouts—Knife Block with Tablet Stand, announced Jul. 10, 2013 [online], [site visited Sep. 14, 2017]. Available from internet, URL: <<https://mikeshouts.com/victorinox-knife-block-with-tablet-stand/>>.*

* cited by examiner

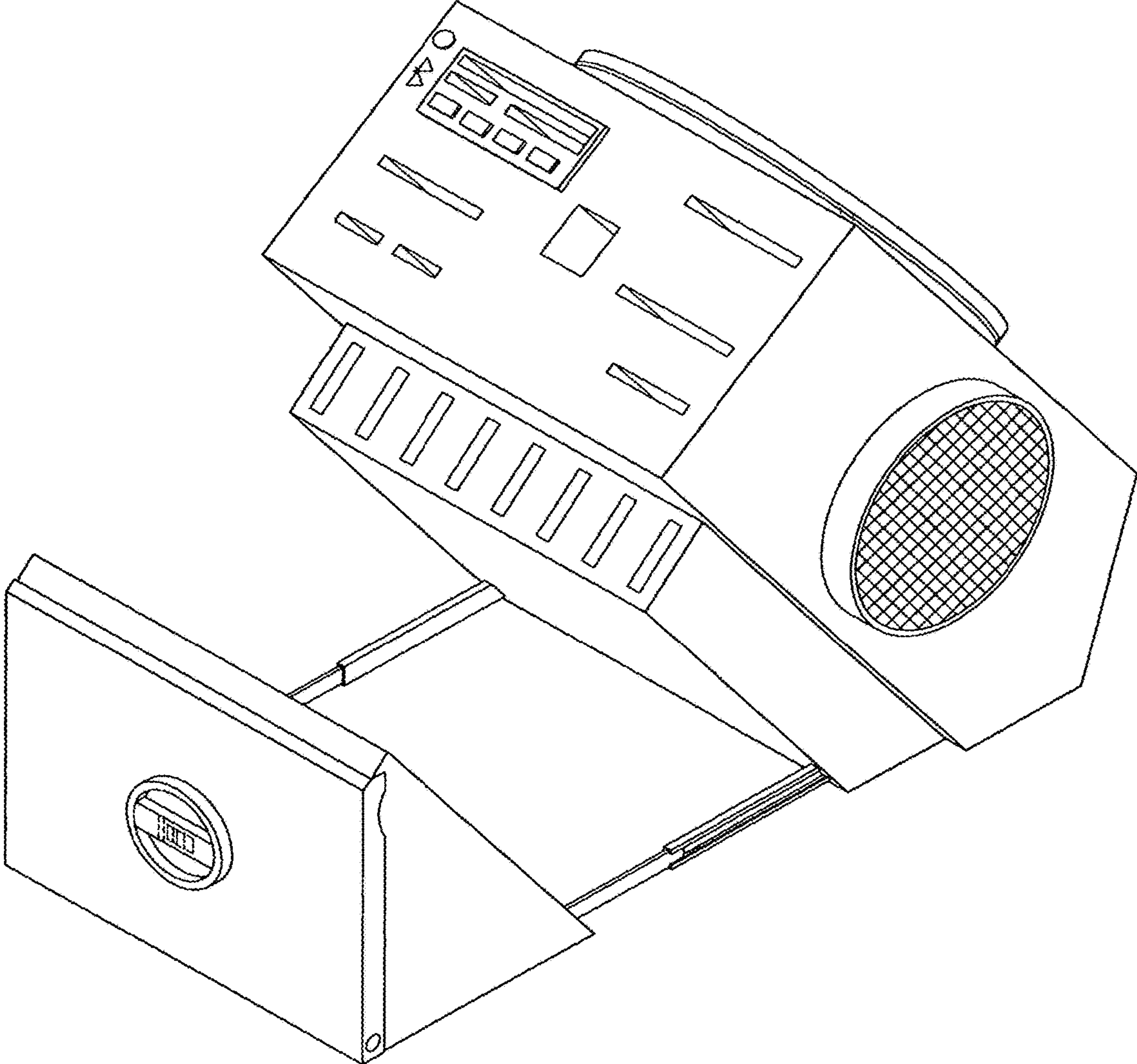


FIG. 1

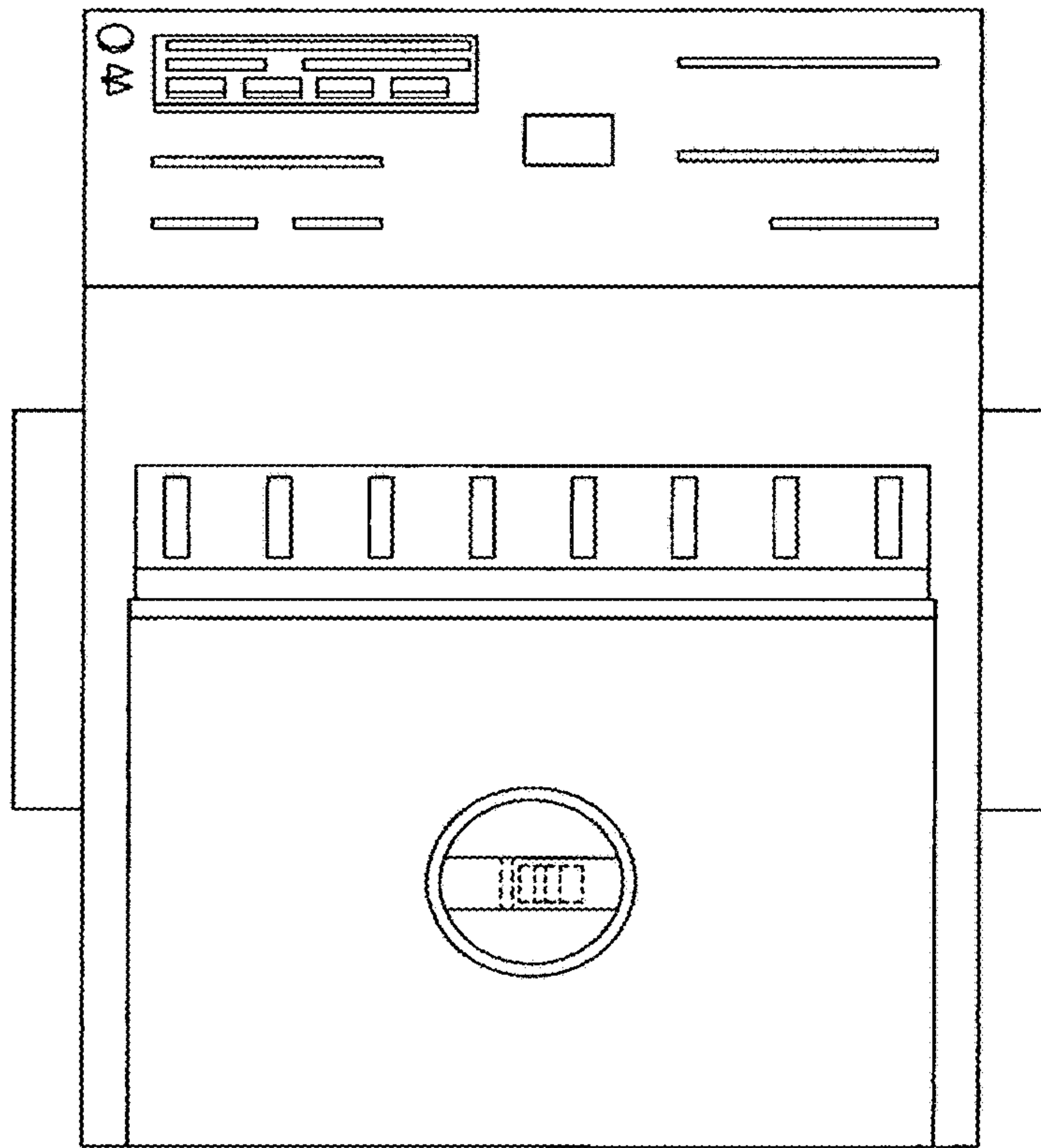


FIG. 2

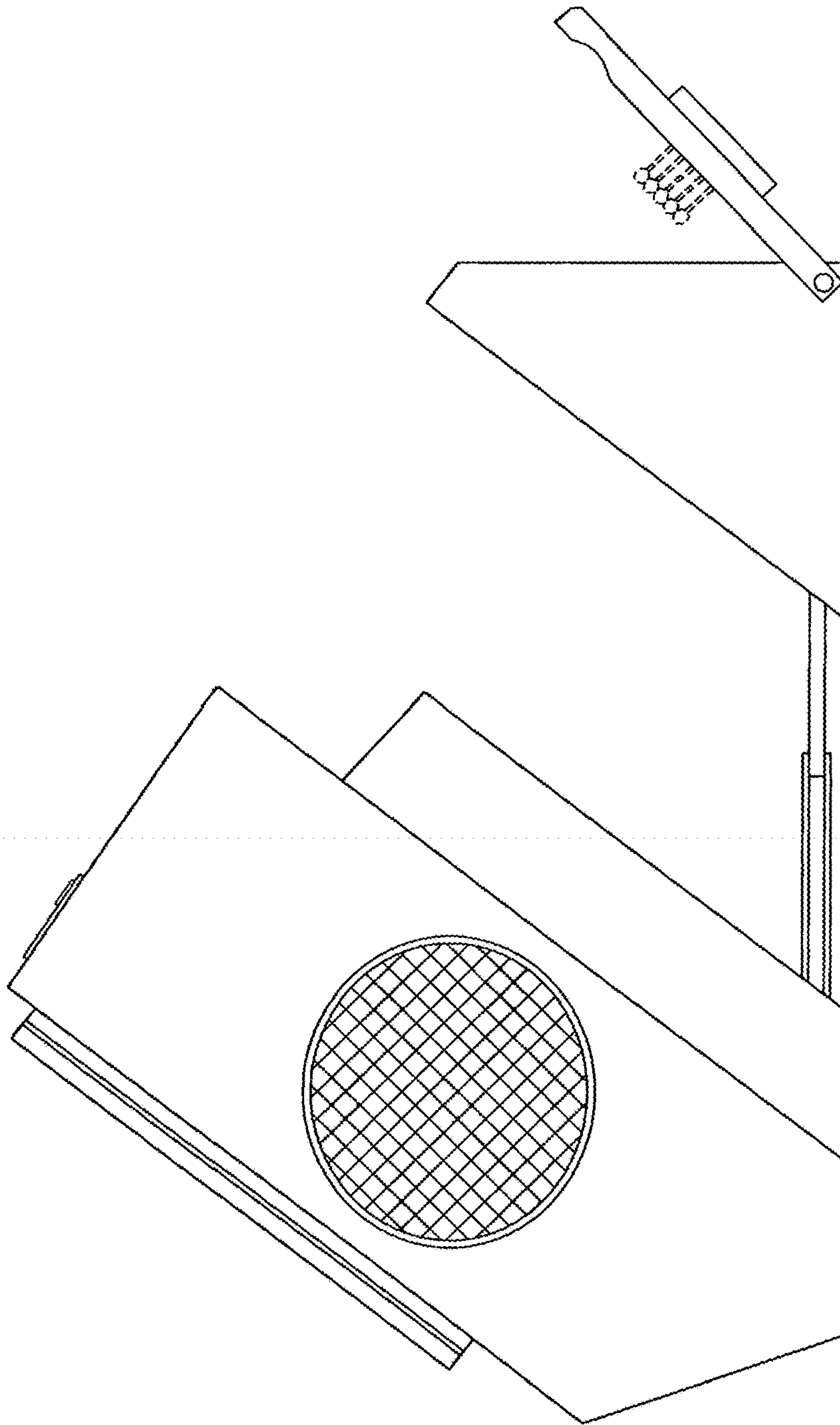


FIG. 3

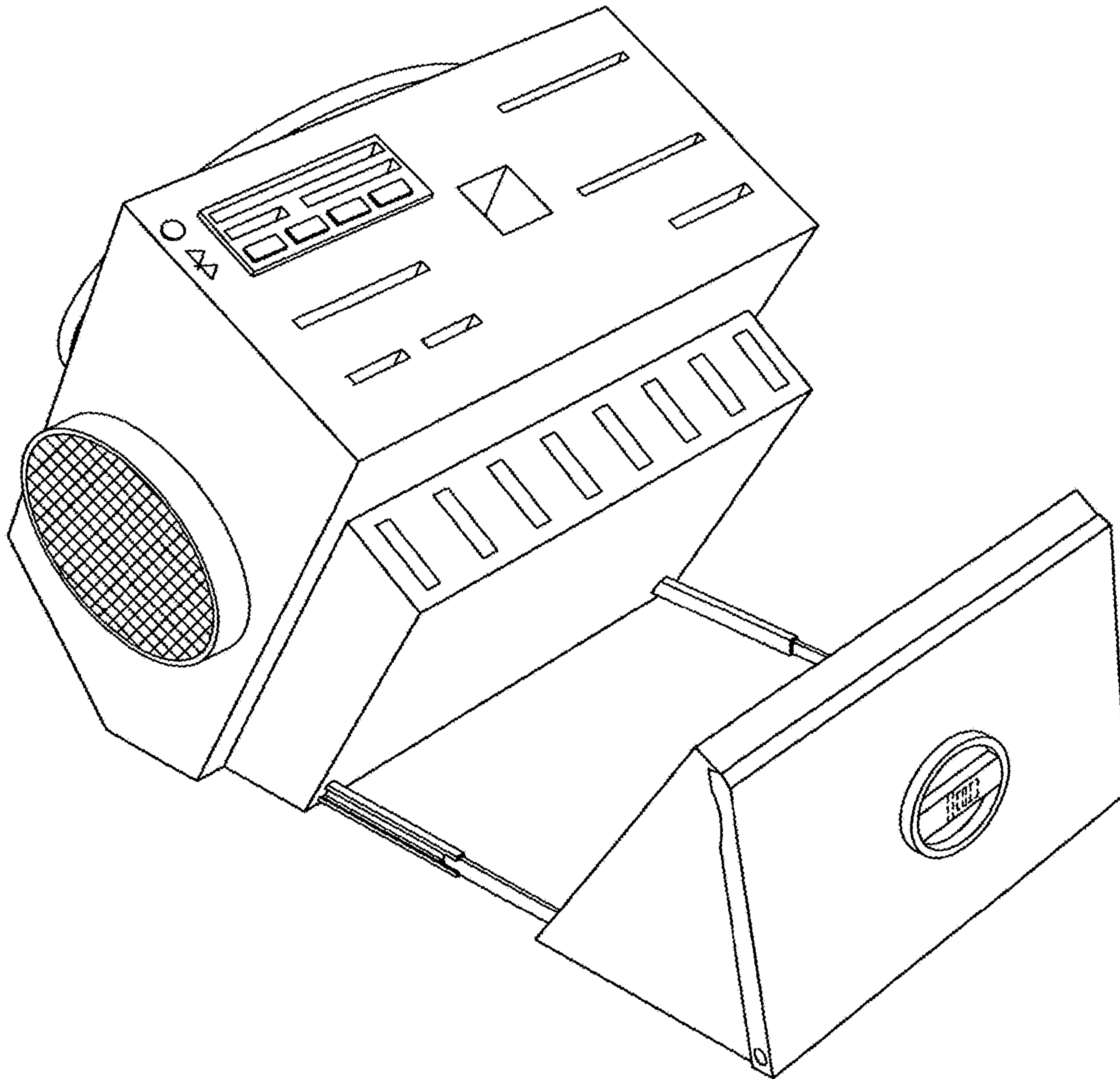


FIG. 4

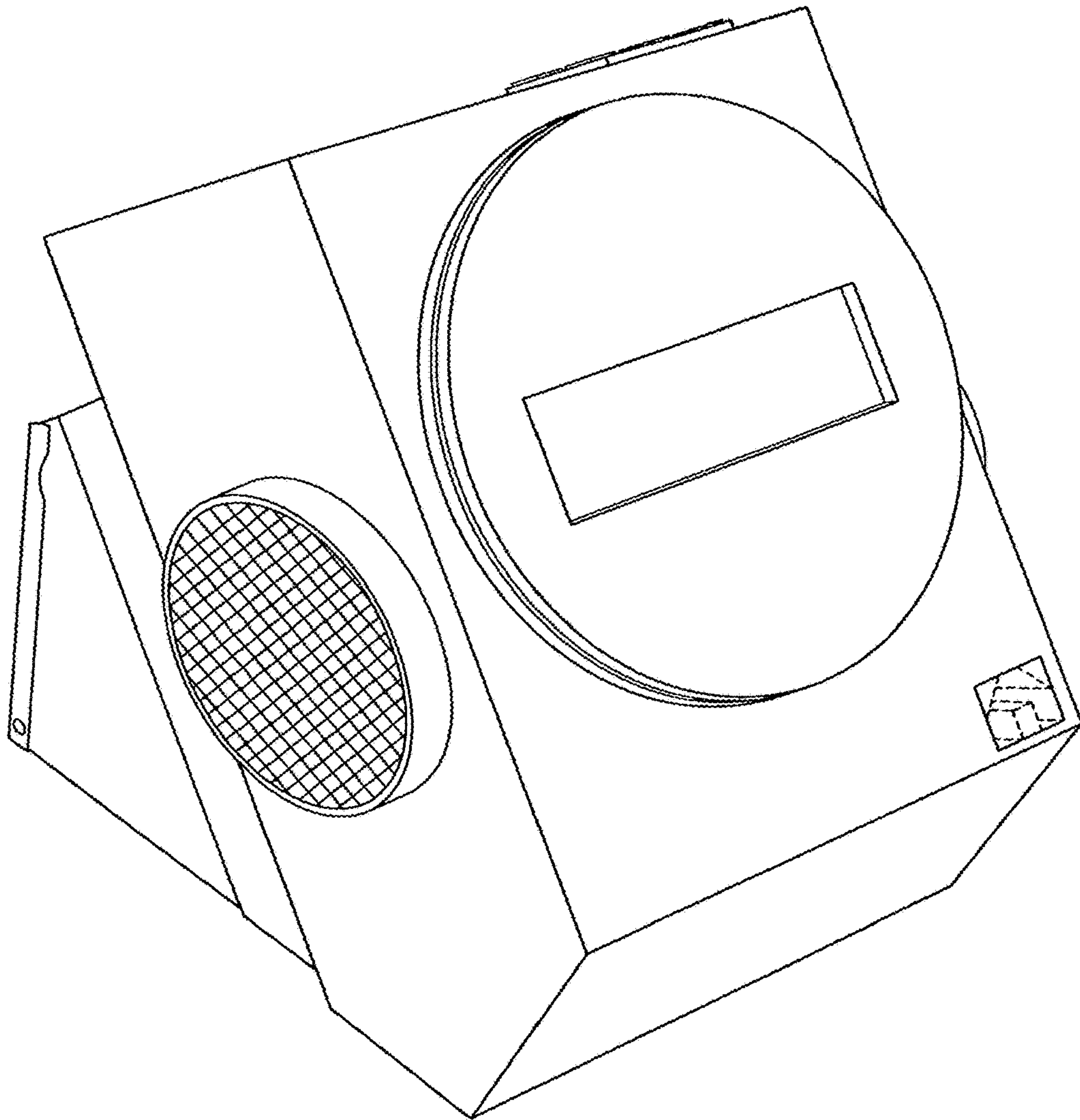


FIG. 5