



US00D867075S

(12) **United States Design Patent** (10) **Patent No.:** **US D867,075 S**
Johnson et al. (45) **Date of Patent:** **** Nov. 19, 2019**

(54) **CUP HOLDER WITH ELECTRONIC DISPLAY**

(71) Applicants: **Philip Johnson**, Sorrento, FL (US);
David Johnson, Sanford, FL (US);
Dominick Cerce, Sanford, FL (US)

(72) Inventors: **Philip Johnson**, Sorrento, FL (US);
David Johnson, Sanford, FL (US);
Dominick Cerce, Sanford, FL (US)

(**) Term: **15 Years**

(21) Appl. No.: **29/623,421**

(22) Filed: **Nov. 1, 2017**

(51) **LOC (12) Cl.** **07-06**

(52) **U.S. Cl.**

USPC **D7/622**

(58) **Field of Classification Search**

USPC D7/619.1-625, 701-708, 533, 536;
D9/499, 455, 434, 436, 443
CPC A47G 2200/08; A47G 23/0216; A47G
23/02; A47G 23/0266; A47G 23/0241;
A47G 23/0258; B65D 2313/02; B65D
23/106; B65D 23/10; B65D 23/104;
B65D 23/0233; B65D 23/0241; B65D
23/0216; A47J 45/077; A47J 45/10; A45C
11/20

See application file for complete search history.

(56) **References Cited**

U.S. PATENT DOCUMENTS

2,378,867 A * 6/1945 Reichart A47J 45/077
220/758
3,107,029 A * 10/1963 Rylander A47G 23/0266
215/396
4,886,183 A 12/1989 Fleming
D370,384 S * 6/1996 Shamis D7/393
5,655,805 A * 8/1997 Shaddy A47G 23/0216
220/738
5,785,407 A 7/1998 Ratcliffe

D398,815 S * 9/1998 Hatsumoto D7/533
5,816,631 A * 10/1998 Kochan B65D 23/106
294/33
D437,187 S * 2/2001 Cheng D7/622
8,550,288 B2 10/2013 Briar
9,145,243 B2 9/2015 Kim
9,162,630 B2 10/2015 Pluta
9,193,503 B2 11/2015 White
2003/0122730 A1 7/2003 Frank
2003/0137500 A1 7/2003 Rezanian
2005/0161558 A1* 7/2005 Stahl A47G 23/0216
248/146
2005/0195590 A1* 9/2005 Bigger A47G 23/0216
362/109

(Continued)

Primary Examiner — Terry A Wallace

(74) *Attorney, Agent, or Firm* — Mark D. Bowen; Malin
Haley DiMaggio & Bowen, P.A.

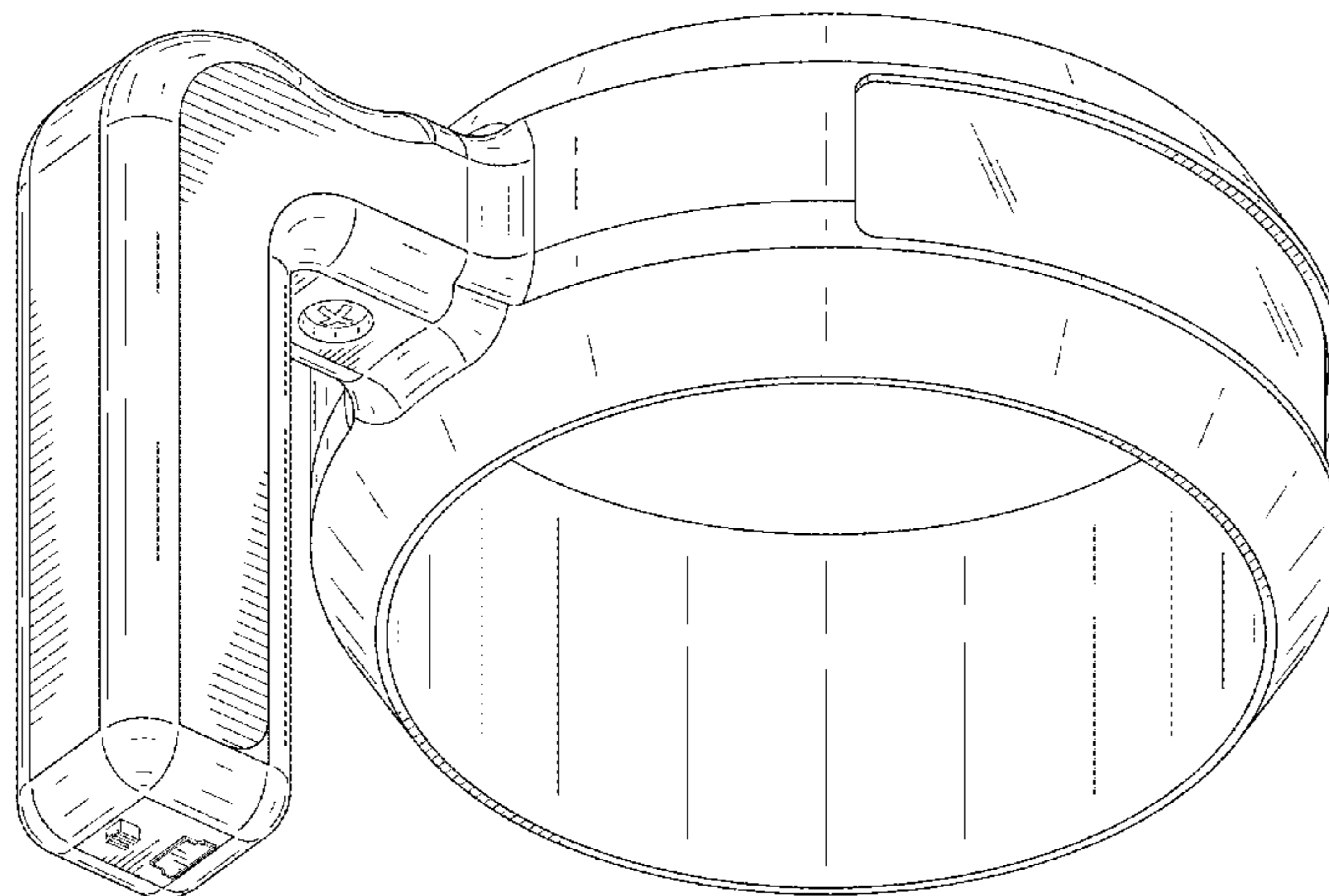
(57) **CLAIM**

The ornamental design for a cup holder with electronic display, as shown and described.

DESCRIPTION

FIG. 1 is a right side view of a cup holder having an electronic display in accordance with the present invention with a cup illustrated in phantom view; FIG. 2 is a front view of the cup holder with electronic display; FIG. 3 is a rear view thereof; FIG. 4 is a left side view thereof; FIG. 5 is a top view thereof; FIG. 6 is a bottom view thereof; FIG. 7 is a top front right side perspective view thereof; and, FIG. 8 is a bottom, rear, left side perspective view thereof. The broken lines illustrating the cup in FIG. 1 are for illustrative purposes only and form no part of the claimed design.

1 Claim, 8 Drawing Sheets



(56)

References Cited

U.S. PATENT DOCUMENTS

2010/0182518 A1 7/2010 Kirmse
2010/0300913 A1 12/2010 Goldburt
2015/0041480 A1* 2/2015 Ramsey A47G 23/0266
220/758

* cited by examiner

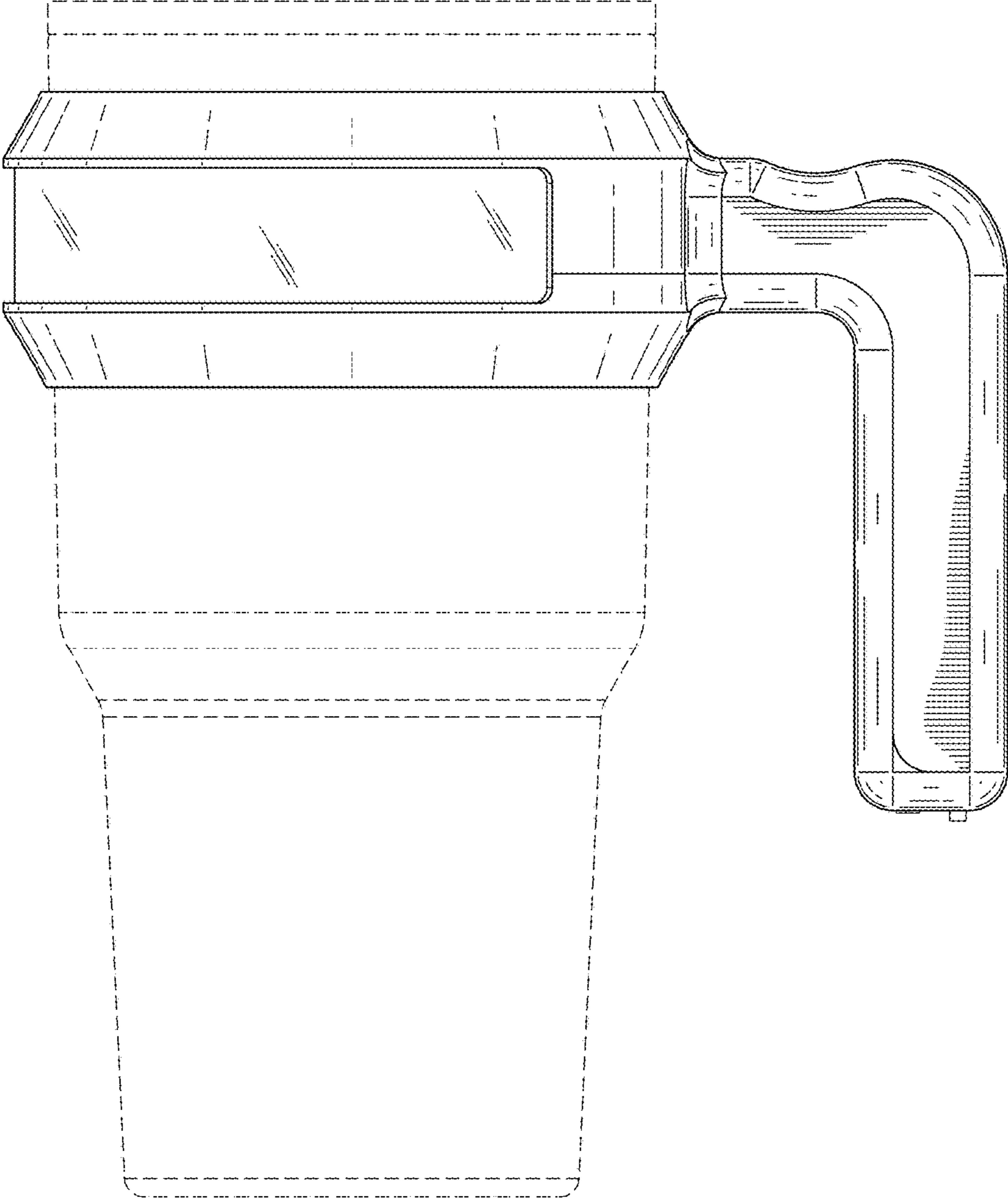


FIG. 1

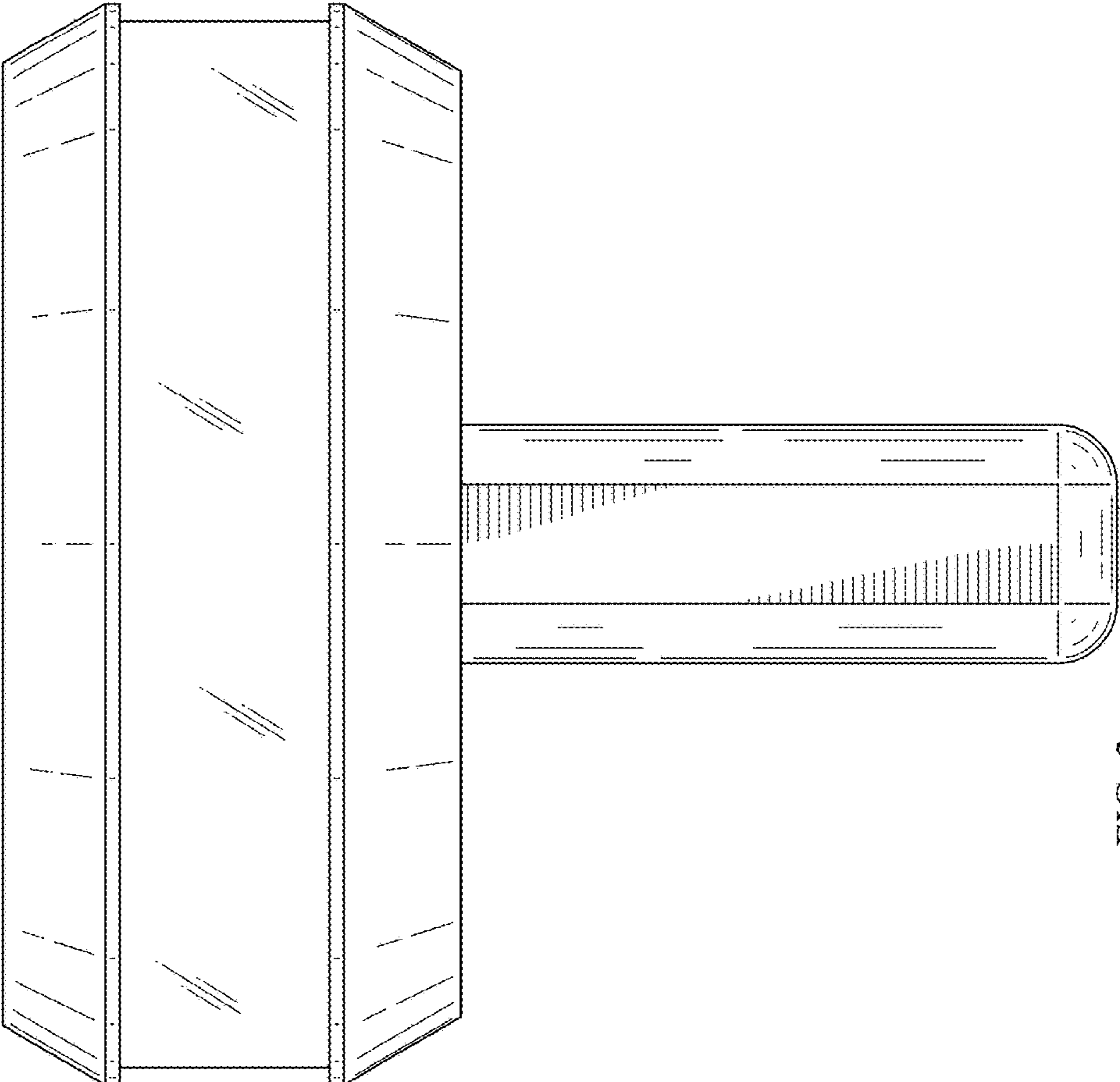


FIG. 2

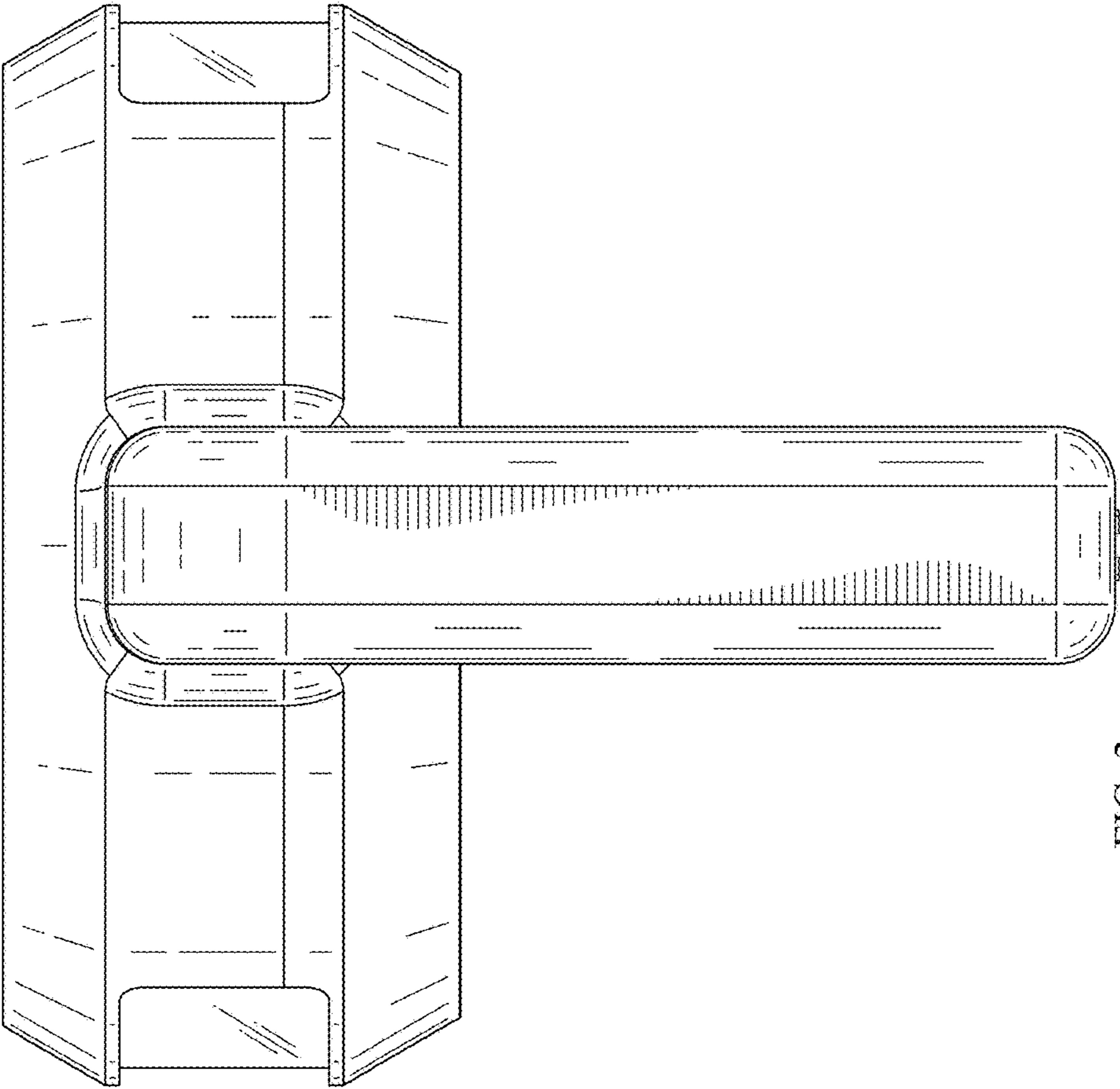


FIG. 3

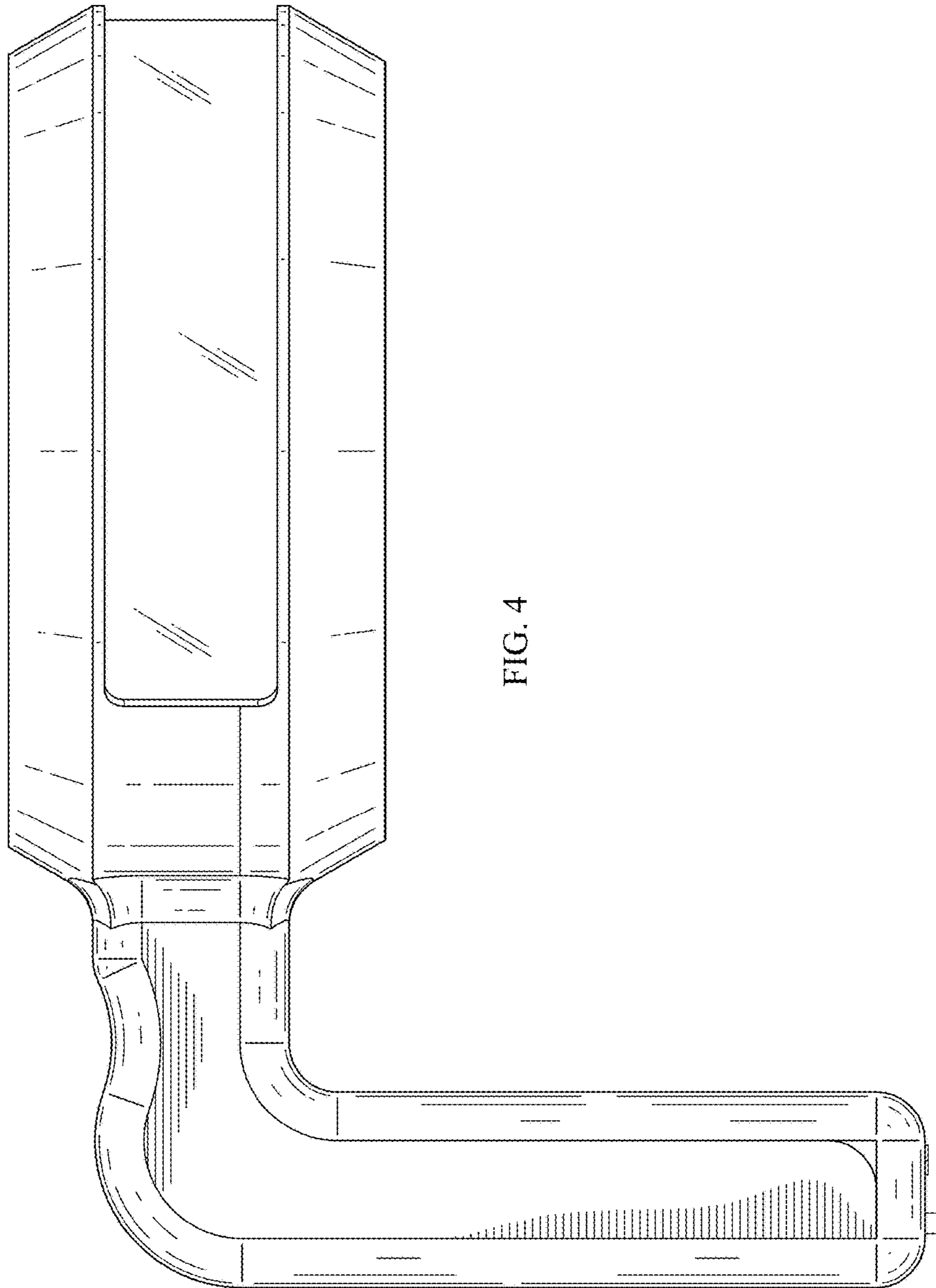


FIG. 4

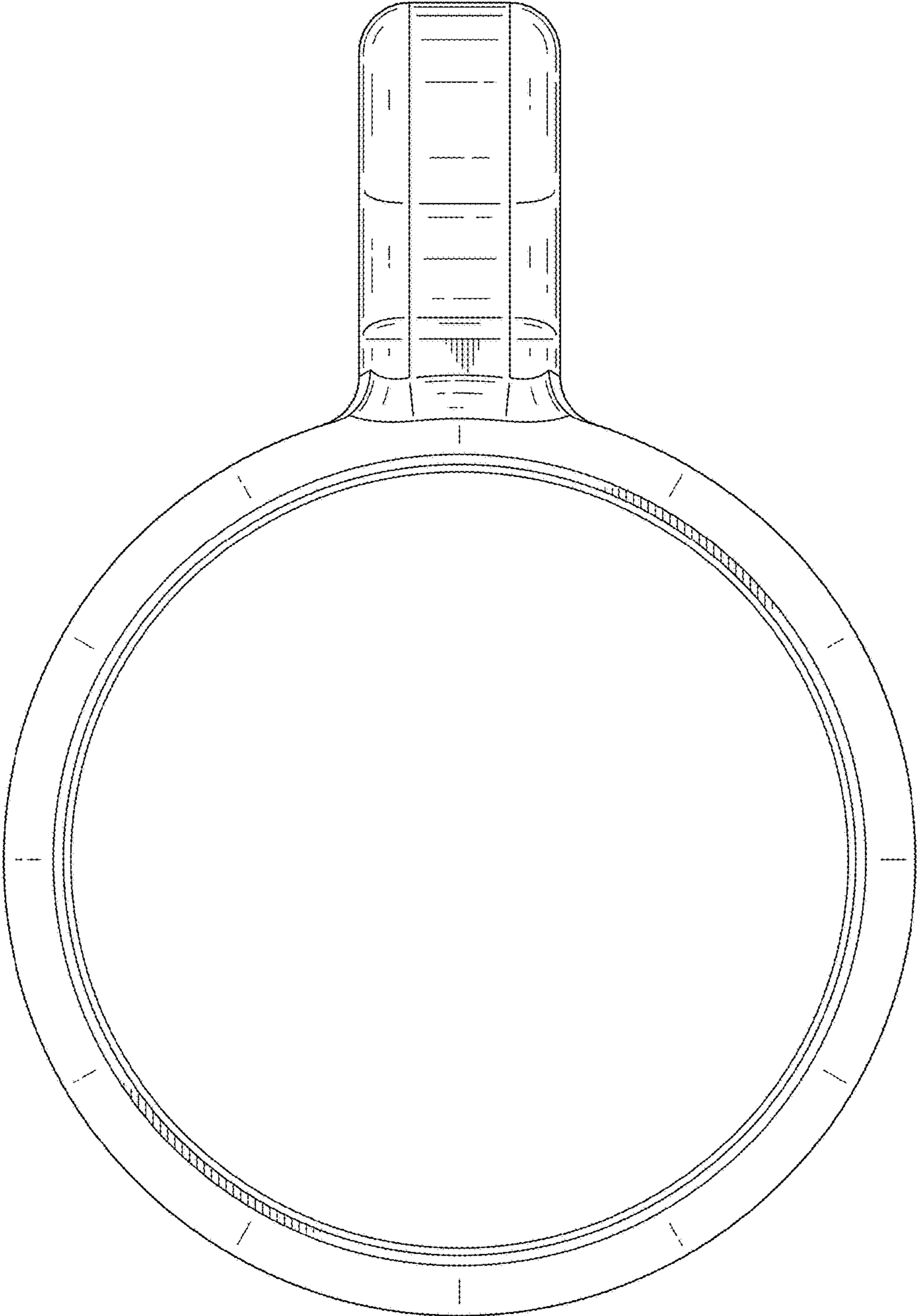


FIG. 5

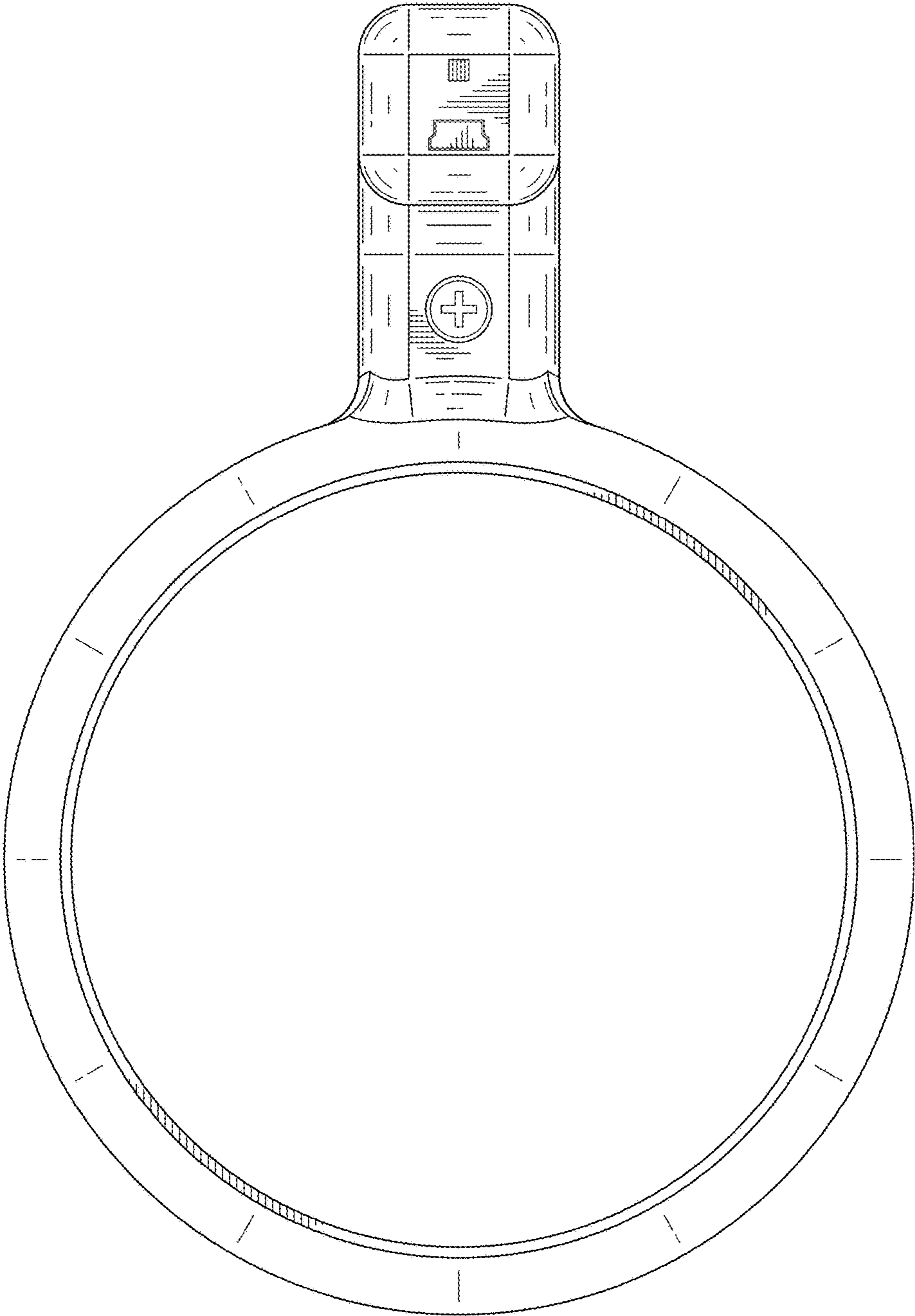


FIG. 6

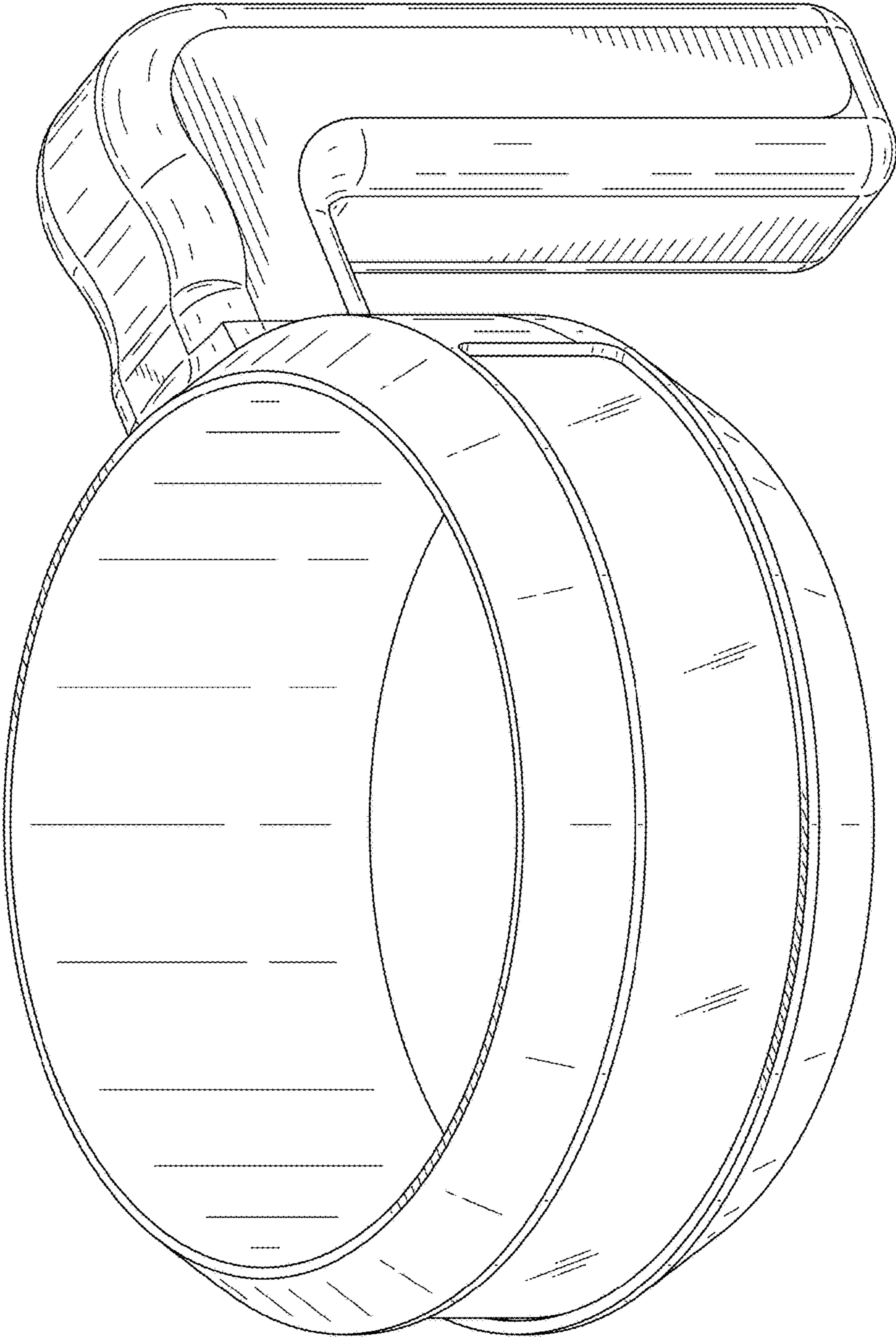


FIG. 7

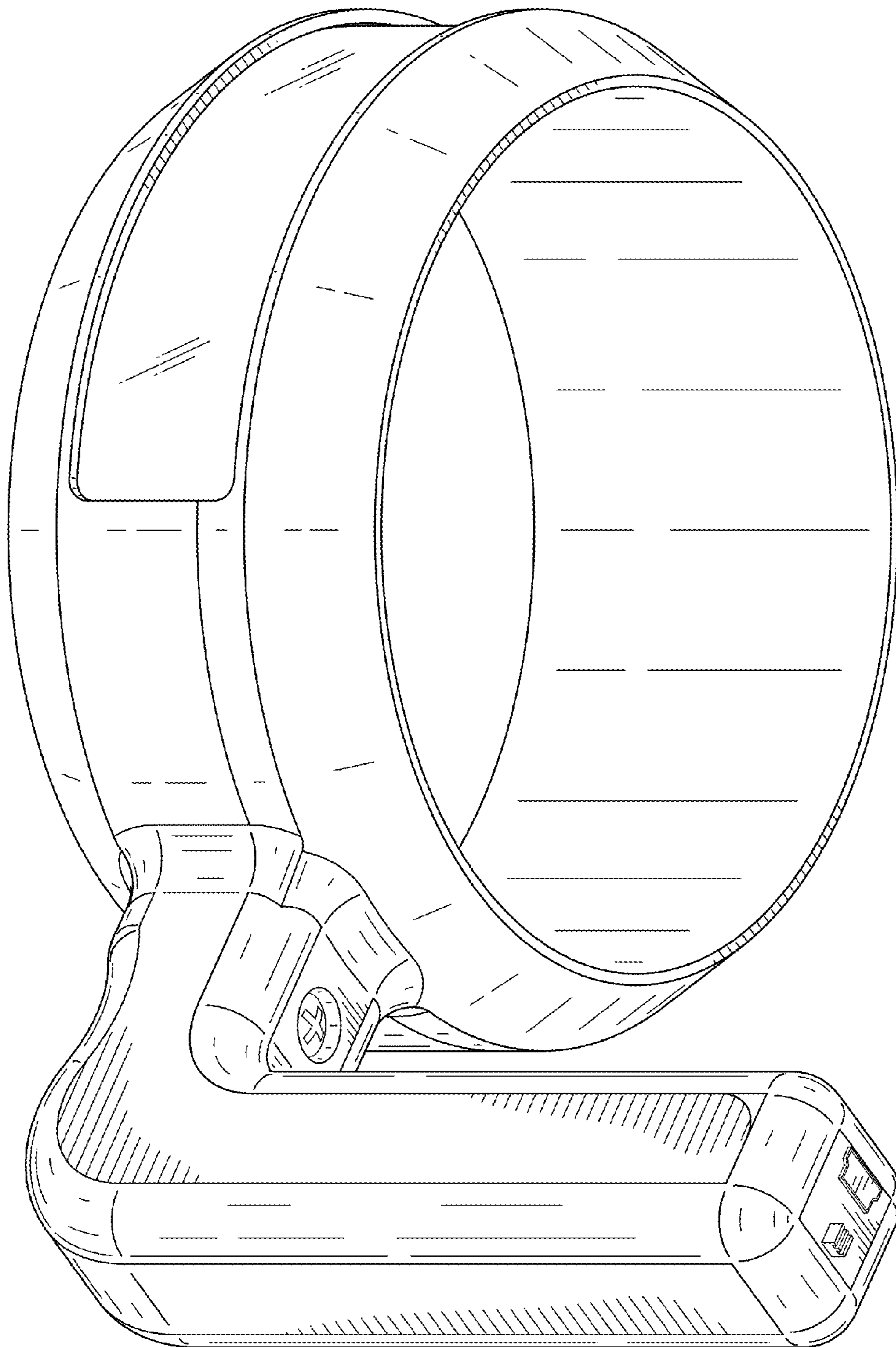


FIG. 8