

US00D867073S

(12) **United States Design Patent**  
**McConnell**

(10) **Patent No.:** **US D867,073 S**

(45) **Date of Patent:** **\*\* Nov. 19, 2019**

(54) **BABY FOOD JAR HOLDER**

(71) Applicant: **1316 LLC**, Las Vegas, NV (US)

(72) Inventor: **Thomas E. McConnell**, Santa Maria, CA (US)

(73) Assignee: **1316 LLC**, Las Vegas, NV (US)

(\*\*) Term: **15 Years**

(21) Appl. No.: **29/567,874**

(22) Filed: **Jun. 13, 2016**

(51) **LOC (12) Cl.** ..... **07-06**

(52) **U.S. Cl.**  
USPC ..... **D7/600.2**

(58) **Field of Classification Search**

USPC ..... D7/600.1-600.4, 701-708, 507, 602,  
D7/619.1; D6/514, 570, 571, 699.1,  
D6/705.7; D19/75, 77, 81, 95, 100  
CPC ..... A47G 23/0208; A47G 23/0633; A47G  
23/08; A47J 47/16; A47J 47/01; A01G  
5/04; A47B 73/00; B01L 9/06; B01L  
9/00; A47F 5/01; A47F 7/02; A47F  
7/283; A47F 7/28

See application file for complete search history.

(56) **References Cited**

**U.S. PATENT DOCUMENTS**

2,220,285 A \* 11/1940 Rodd ..... A47G 23/0208  
248/313  
5,074,421 A \* 12/1991 Coulter ..... A47F 5/02  
211/163  
D342,191 S \* 12/1993 Cronk ..... D7/706  
(Continued)

*Primary Examiner* — Michael A. Pratt

(74) *Attorney, Agent, or Firm* — WPAT, P.C., Intellectual Property Attorneys; Anthony King

(57) **CLAIM**

The ornamental design for a baby food jar holder, as shown and described.

**DESCRIPTION**

FIG. 1 is a front plan view of a baby food jar holder of the present invention;

FIG. 2 is a top plan view of the baby food jar holder of FIG. 1;

FIG. 3 is a bottom plan view of the baby food jar holder of FIG. 1;

FIG. 4 is a bottom plan view of the baby food jar holder of FIG. 1;

FIG. 5 is a top plan view of the baby food jar holder of FIG. 1;

FIG. 6 is a plan front view of the baby food jar holder of FIG. 1;

FIG. 7 is a perspective top and side view of the baby food jar holder of FIG. 1;

FIG. 8 is a perspective top and side view of the baby food jar holder of FIG. 1;

FIG. 9 is a perspective top and side view of the baby food jar holder of FIG. 1;

FIG. 10 is a shrunken exploded view of the baby food jar holder of FIG. 1;

FIG. 11 is a top plan view of the top tier of the baby food jar holder of FIG. 1 with the bottom tier removed for ease of illustration;

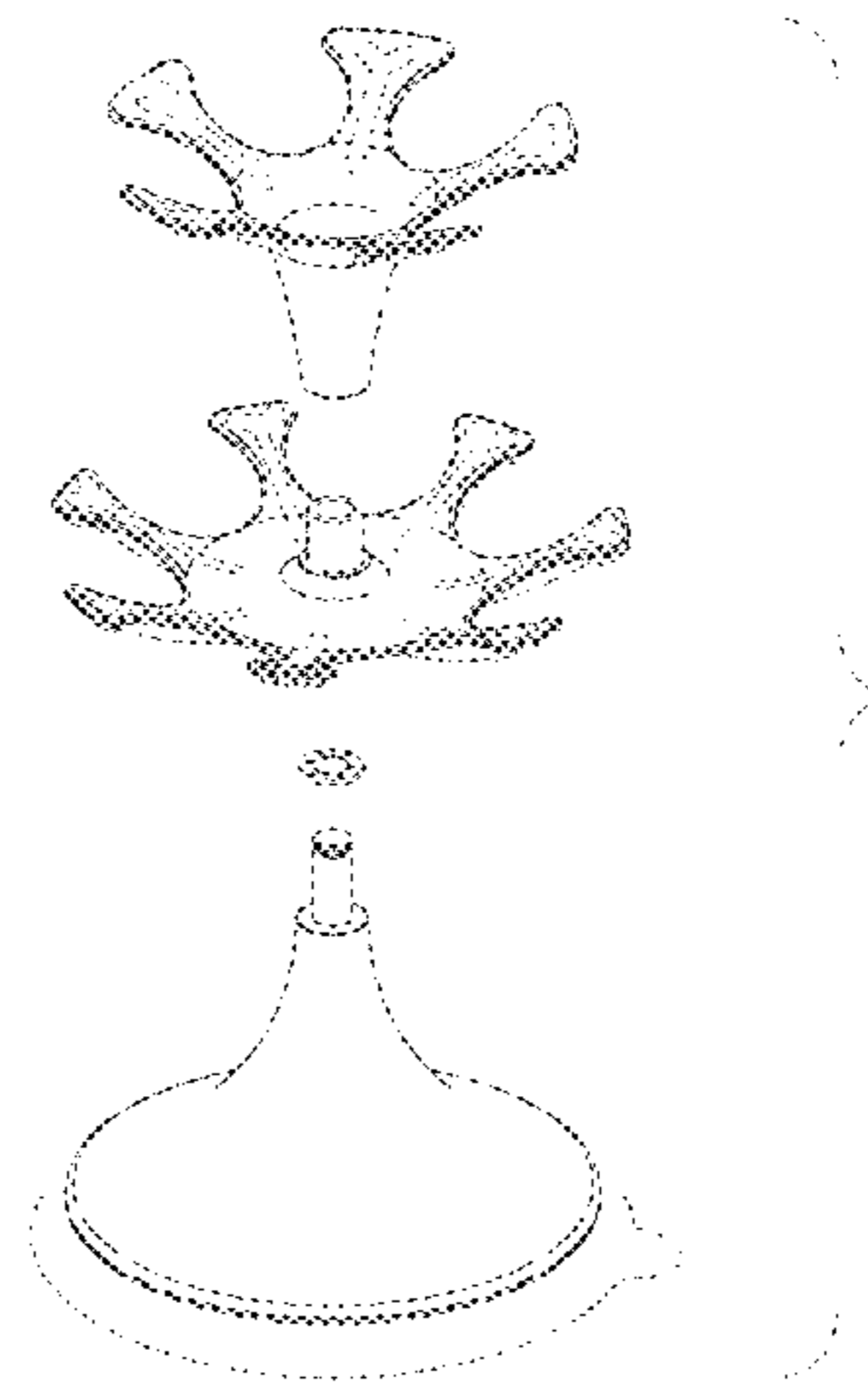
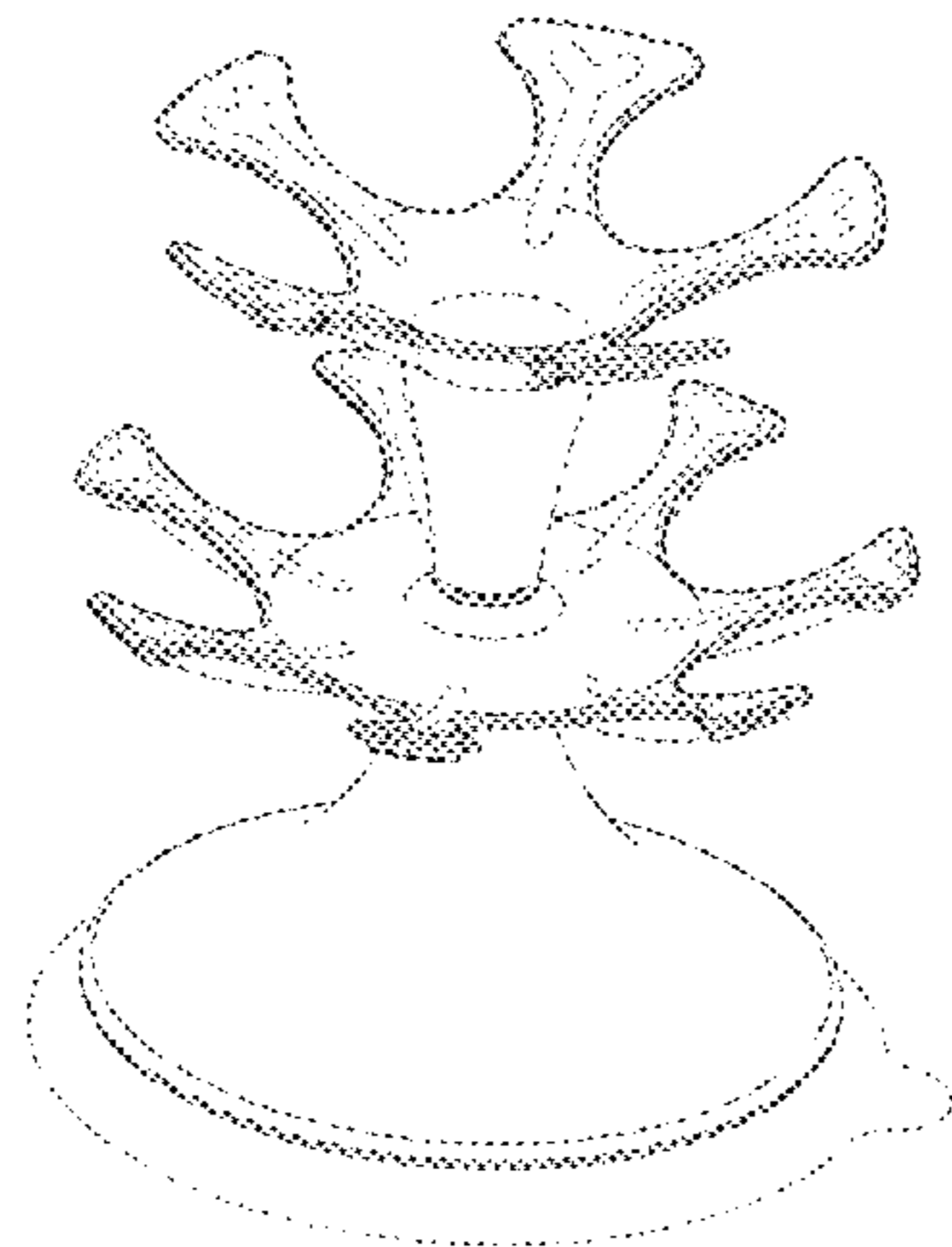
FIG. 12 is a front plan view of the top tier of the baby food jar holder of FIG. 1 with the bottom tier removed for ease of illustration;

FIG. 13 is a perspective top view of the top tier of the baby food jar holder of FIG. 1 with the bottom tier removed for ease of illustration; and,

FIG. 14 is a perspective top view of the top tier of the baby food jar holder of FIG. 1 with the bottom tier removed for ease of illustration showing my new design.

The broken lines shown in the figures depict portions of the article and environmental subject matter that form no part of the claimed design. None of the broken lines form part of the claimed design.

**1 Claim, 14 Drawing Sheets**



(56)

References Cited

U.S. PATENT DOCUMENTS

D392,852 S *	3/1998	Weterrings .....	D7/600	2003/0192840 A1 *	10/2003	Hoyle .....	A47F 5/05
5,772,050 A *	6/1998	Shih .....	B41K 1/58				211/85.2
			211/163	2004/0251283 A1 *	12/2004	McGuyer .....	A47G 23/08
D398,482 S *	9/1998	Wang .....	D7/590				222/537
D497,288 S *	10/2004	McGuyer .....	D7/590	2005/0011912 A1 *	1/2005	McGuyer .....	A47G 19/34
D506,365 S *	6/2005	Lee .....	D7/600.4				222/367
D506,366 S *	6/2005	Lee .....	D7/600.4	2010/0237030 A1 *	9/2010	Cass .....	A47J 47/16
D511,941 S *	11/2005	McGuyer .....	D7/600.1				211/70
6,964,443 B1 *	11/2005	Newton .....	A47G 23/0208	2011/0220599 A1 *	9/2011	Siahpush .....	A47F 5/02
			206/217				211/85.4
D512,282 S *	12/2005	Martin .....	D7/600.4	2012/0031806 A1 *	2/2012	Riley .....	A47G 23/0208
D513,948 S *	1/2006	Martin .....	D7/600.4				206/563
D521,321 S *	5/2006	McGuyer .....	D7/590	2012/0104037 A1 *	5/2012	Ben-Shoshan .....	A47G 19/18
D543,803 S *	6/2007	Henderson .....	D7/600.4				222/1
8,333,369 B2 *	12/2012	Kozlik .....	B29C 63/42	2014/0014603 A1 *	1/2014	Thompson .....	A47F 5/02
			124/86				211/78
D763,464 S *	8/2016	Li .....	D24/227	2014/0339116 A1 *	11/2014	Chiorazzi .....	A47G 23/0625
D763,627 S *	8/2016	Thompson .....	D7/600.1				206/426
D781,658 S *	3/2017	Chiorazzi .....	A47G 23/0625	2015/0182054 A1 *	7/2015	Shames .....	A47G 23/0641
			D7/550.1				206/217
D793,185 S *	8/2017	McConnell .....	D7/708	2015/0366334 A1 *	12/2015	Marney .....	A47G 23/0208
9,839,311 B2 *	12/2017	Shames .....	A47G 23/0641				294/143
2002/0170868 A1 *	11/2002	Morgan .....	A47G 19/30	2016/0135634 A1 *	5/2016	Krull .....	A47J 47/16
			211/77				29/428

\* cited by examiner

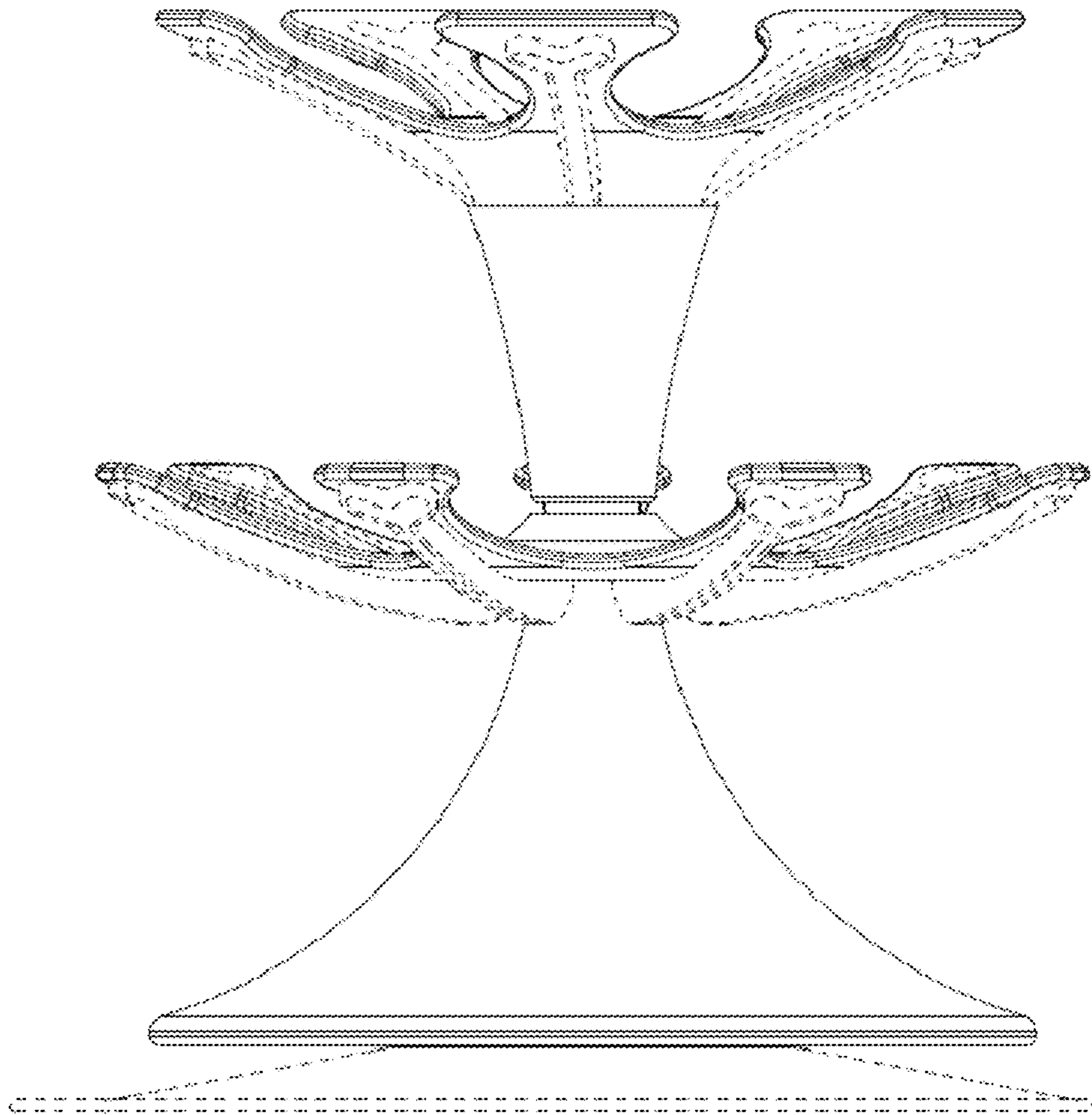


Fig. 1

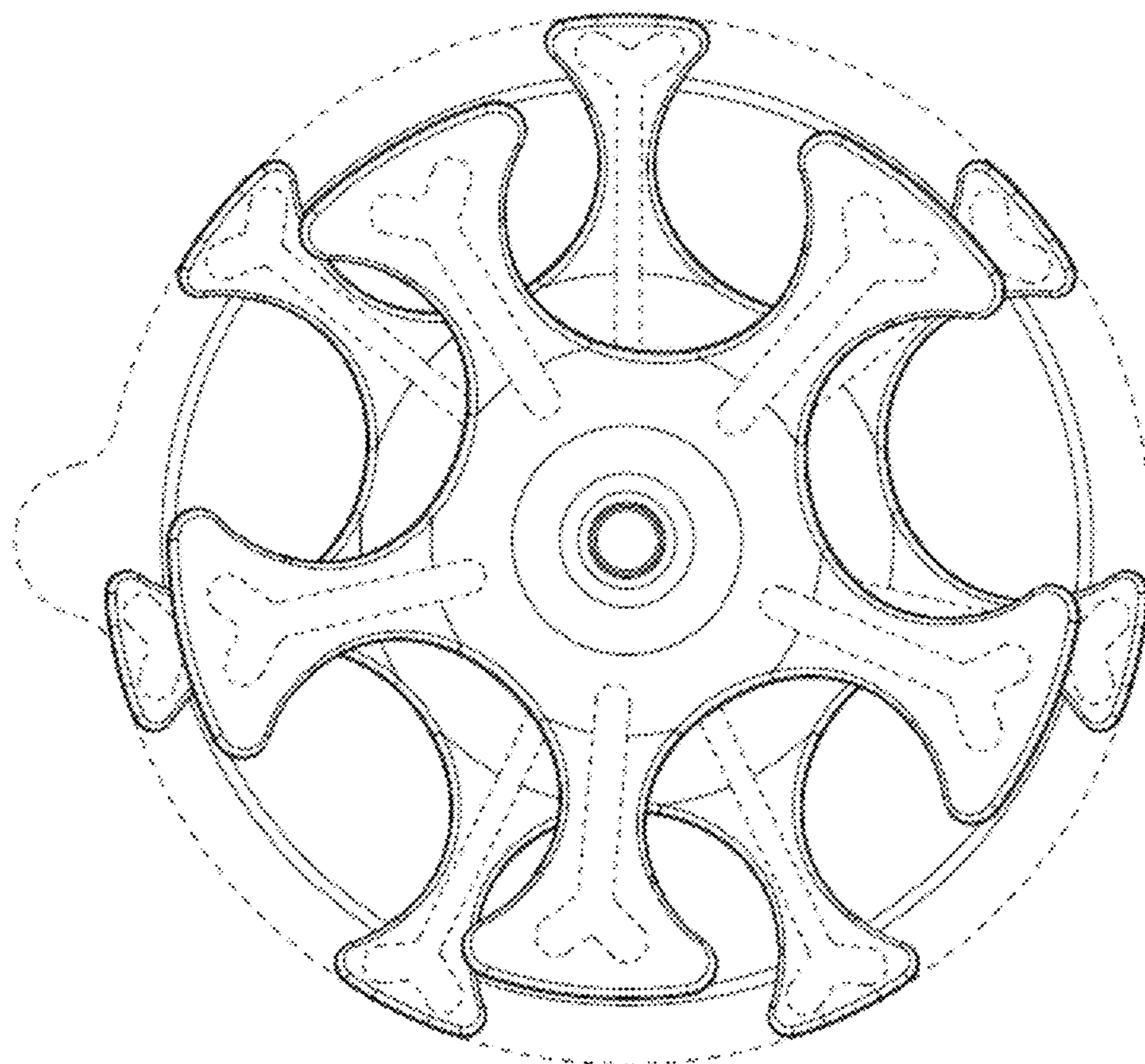


Fig. 2

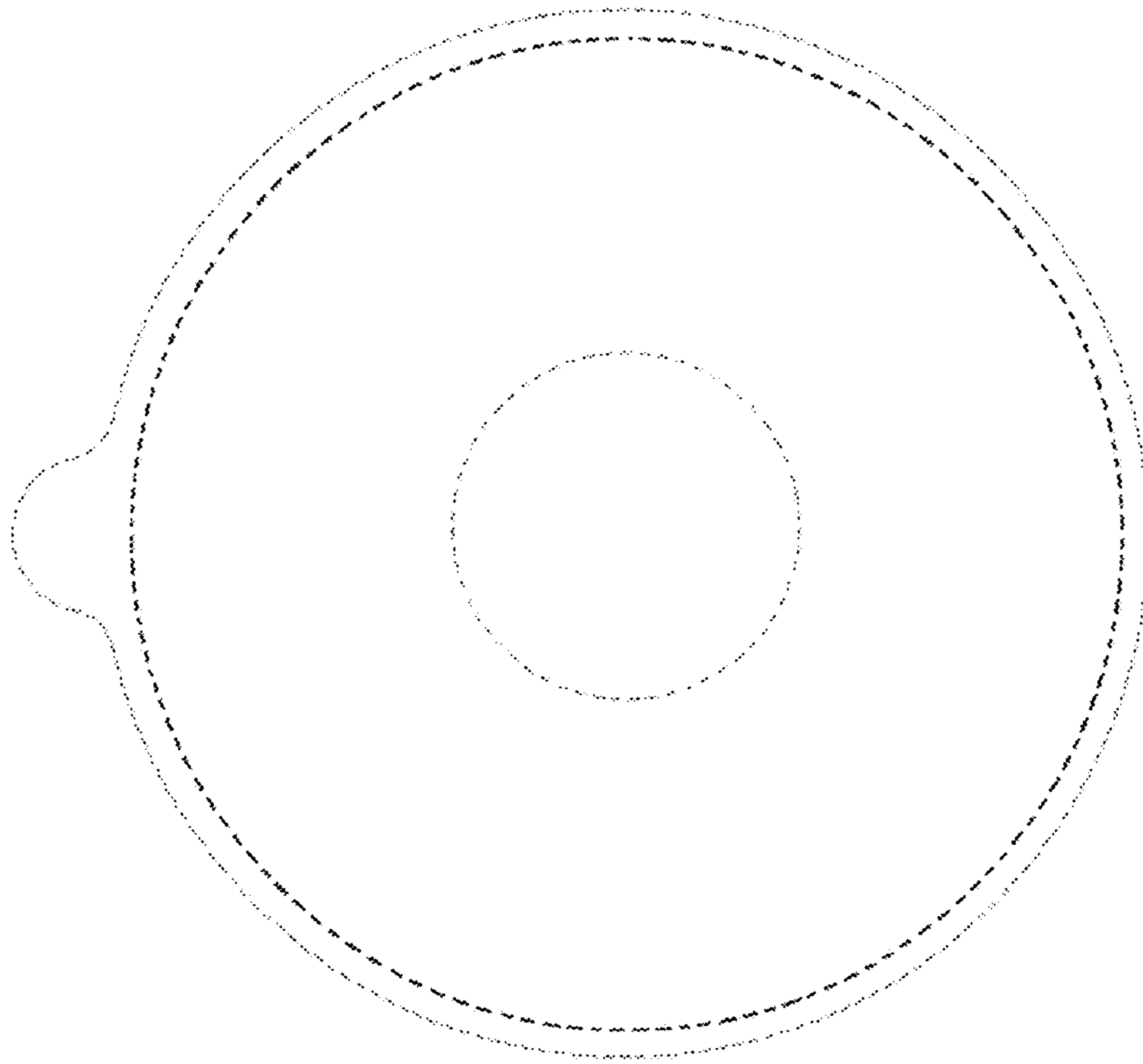


Fig. 3

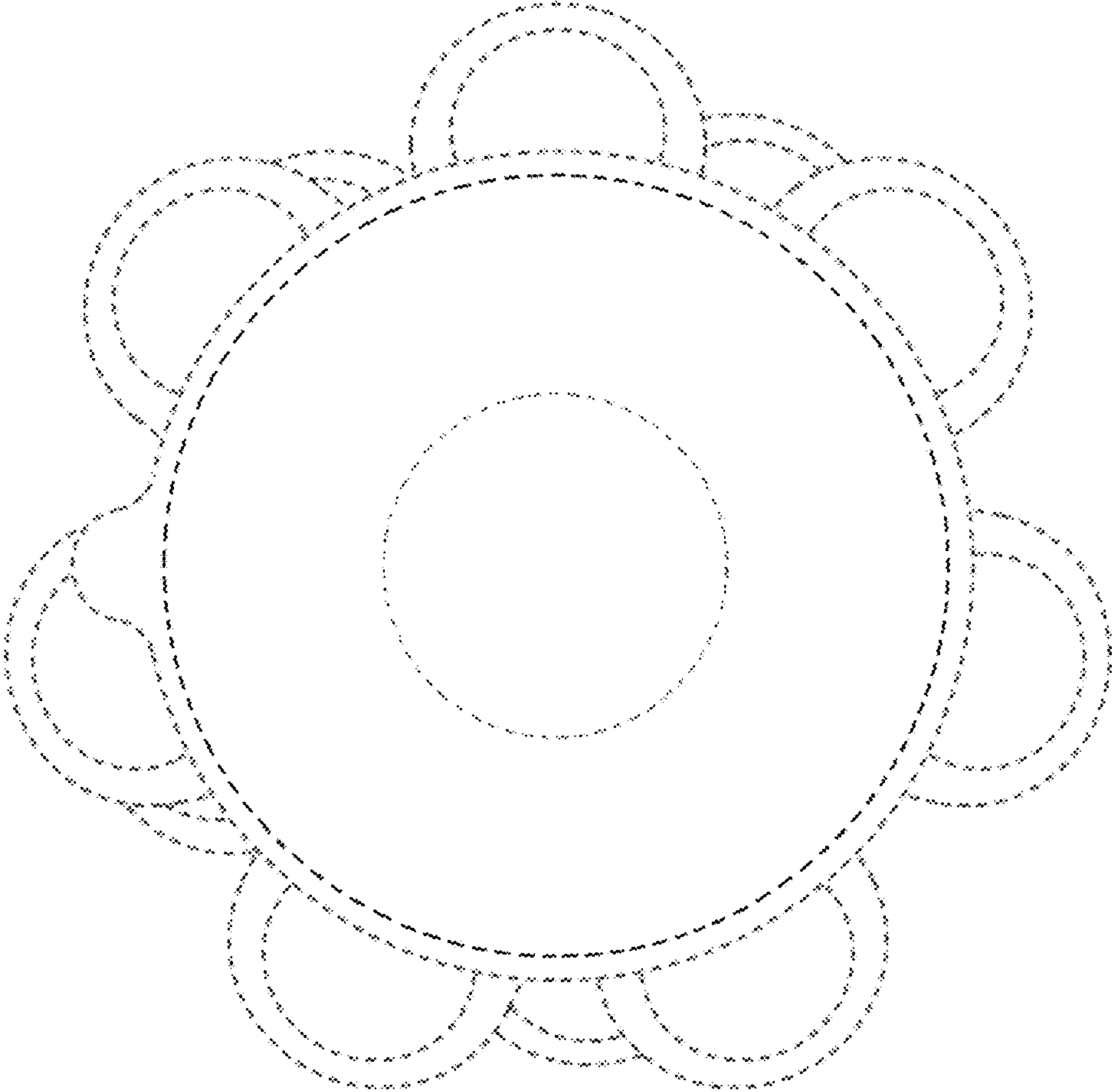


Fig. 4

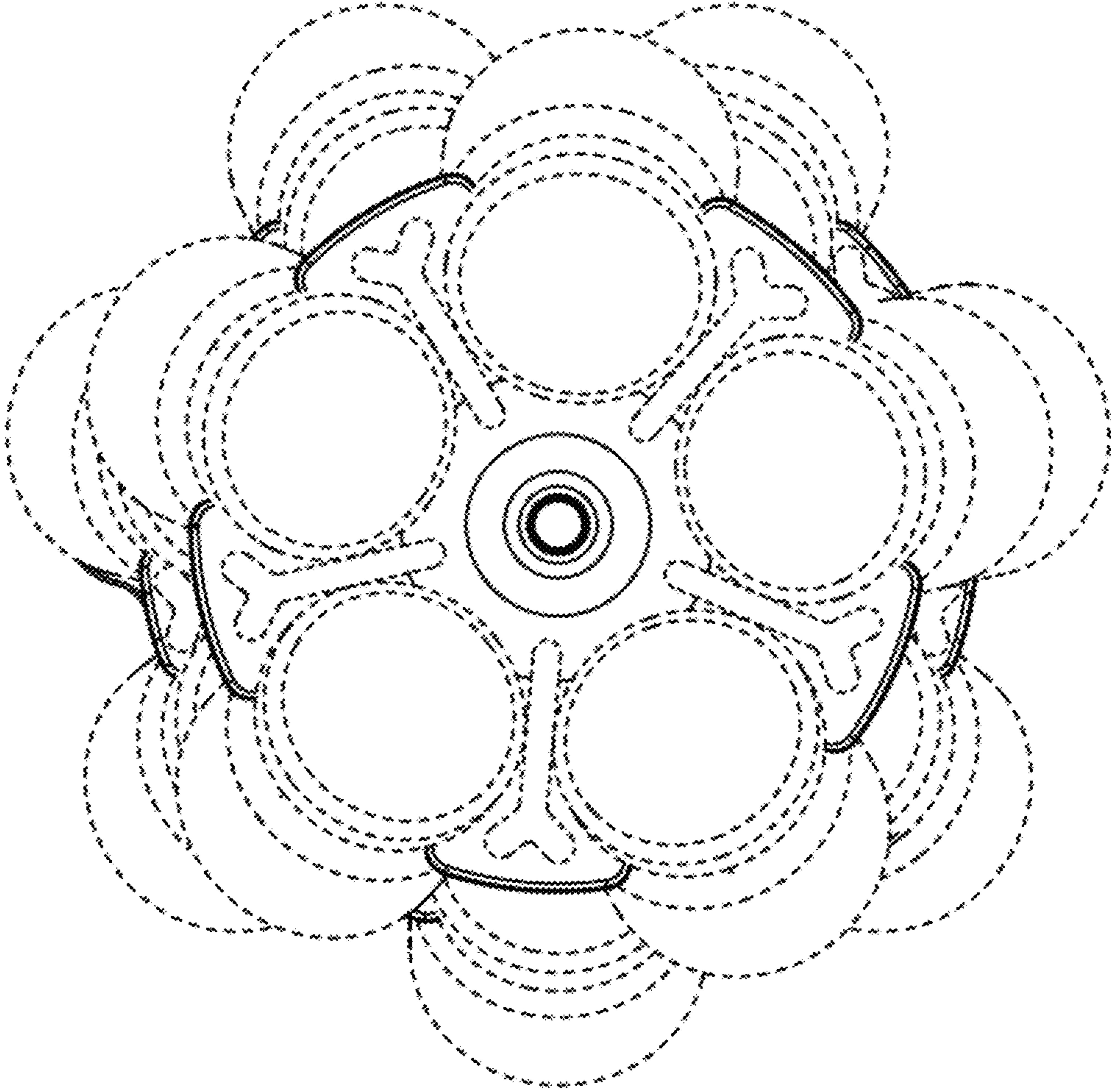


Fig. 5

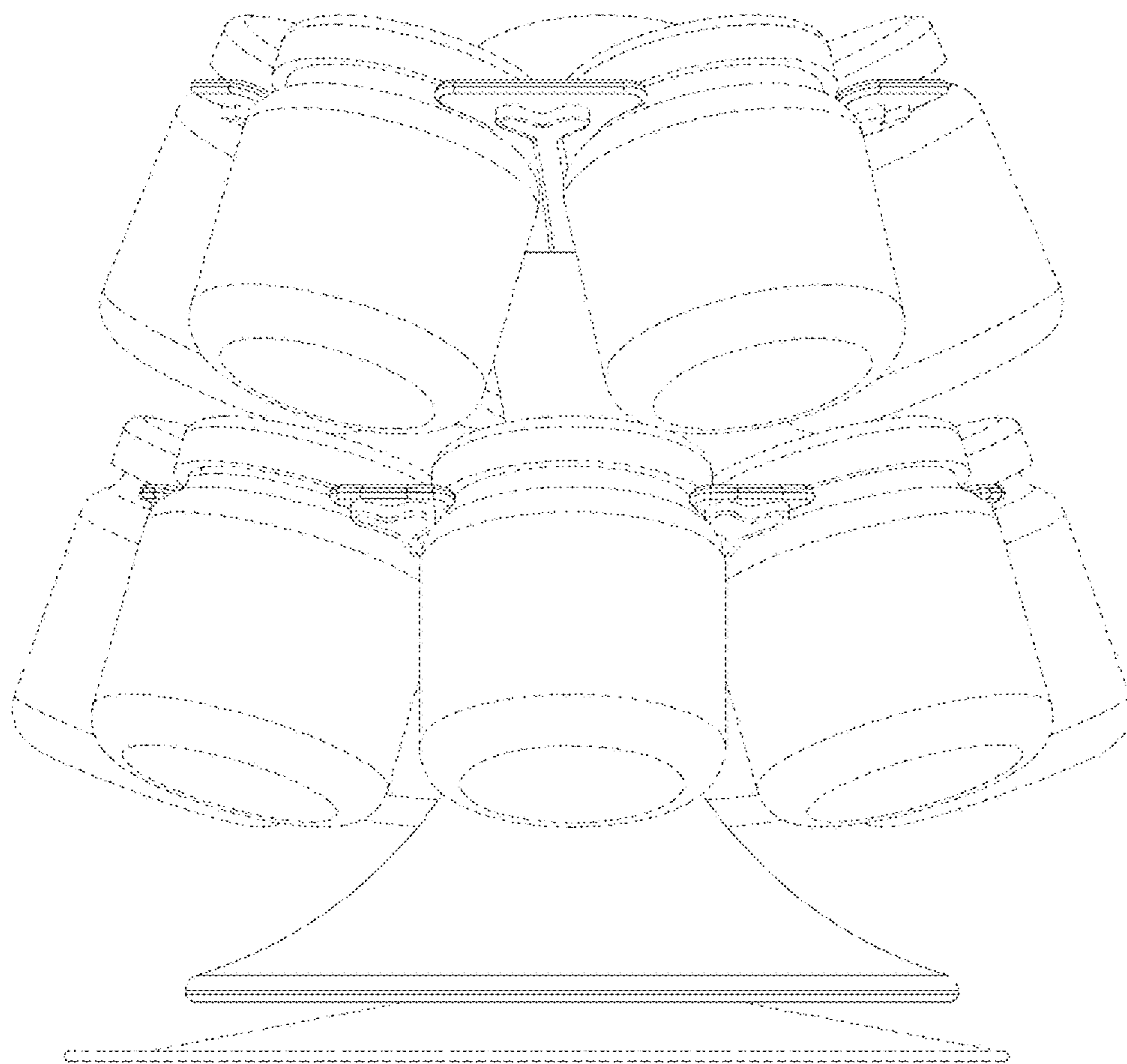


Fig. 6



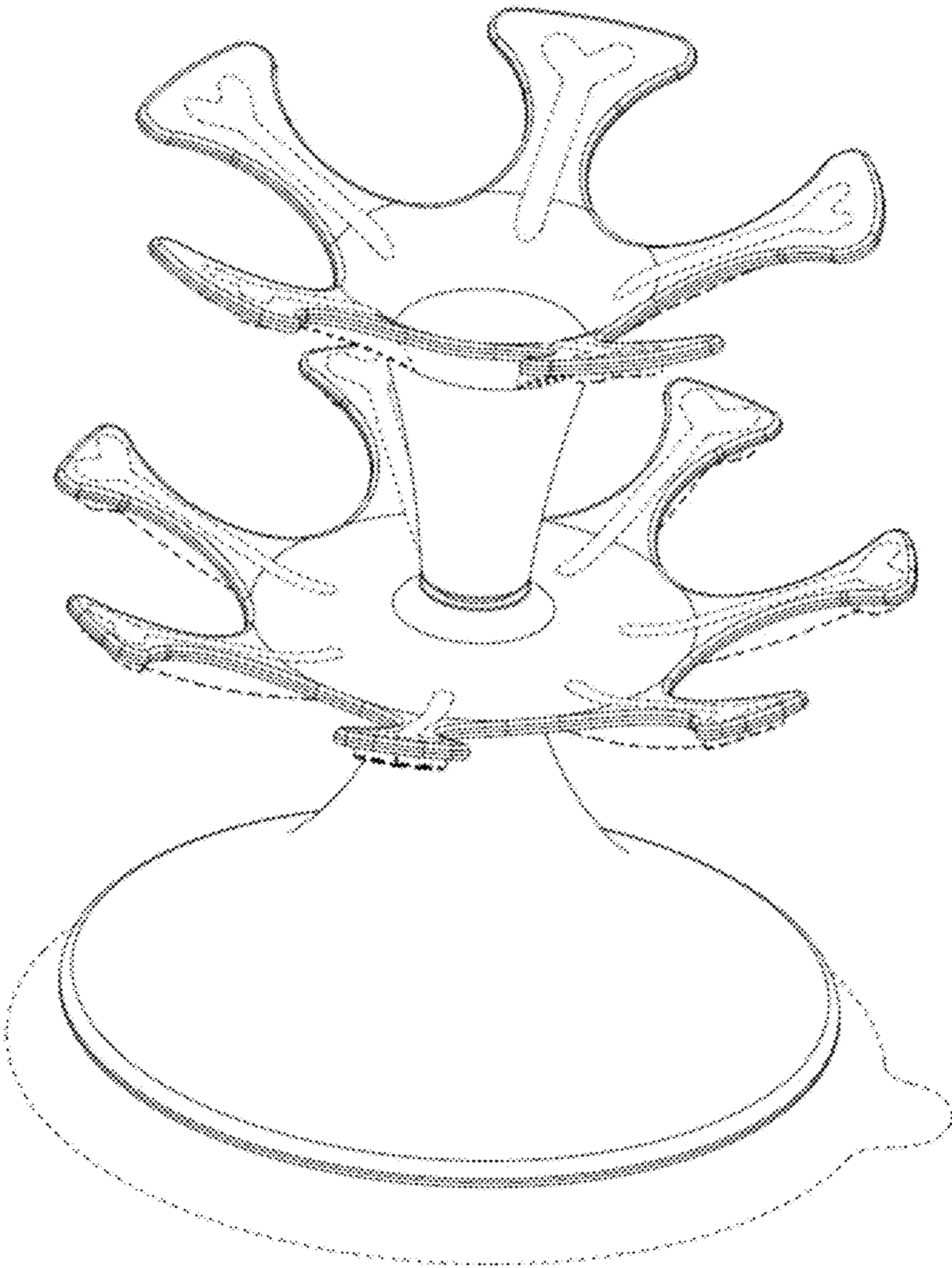


Fig. 7



Fig. 8

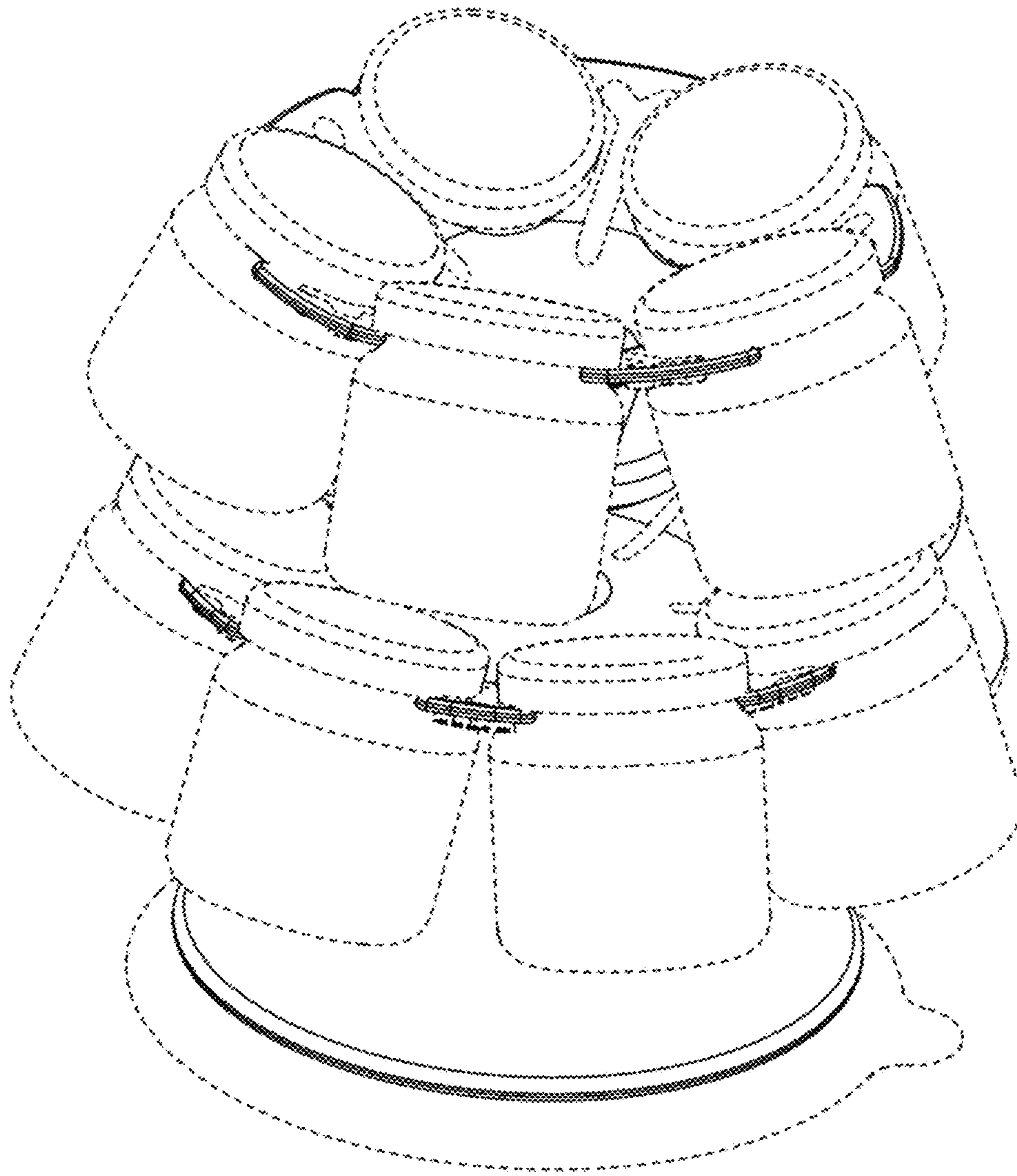


Fig. 9

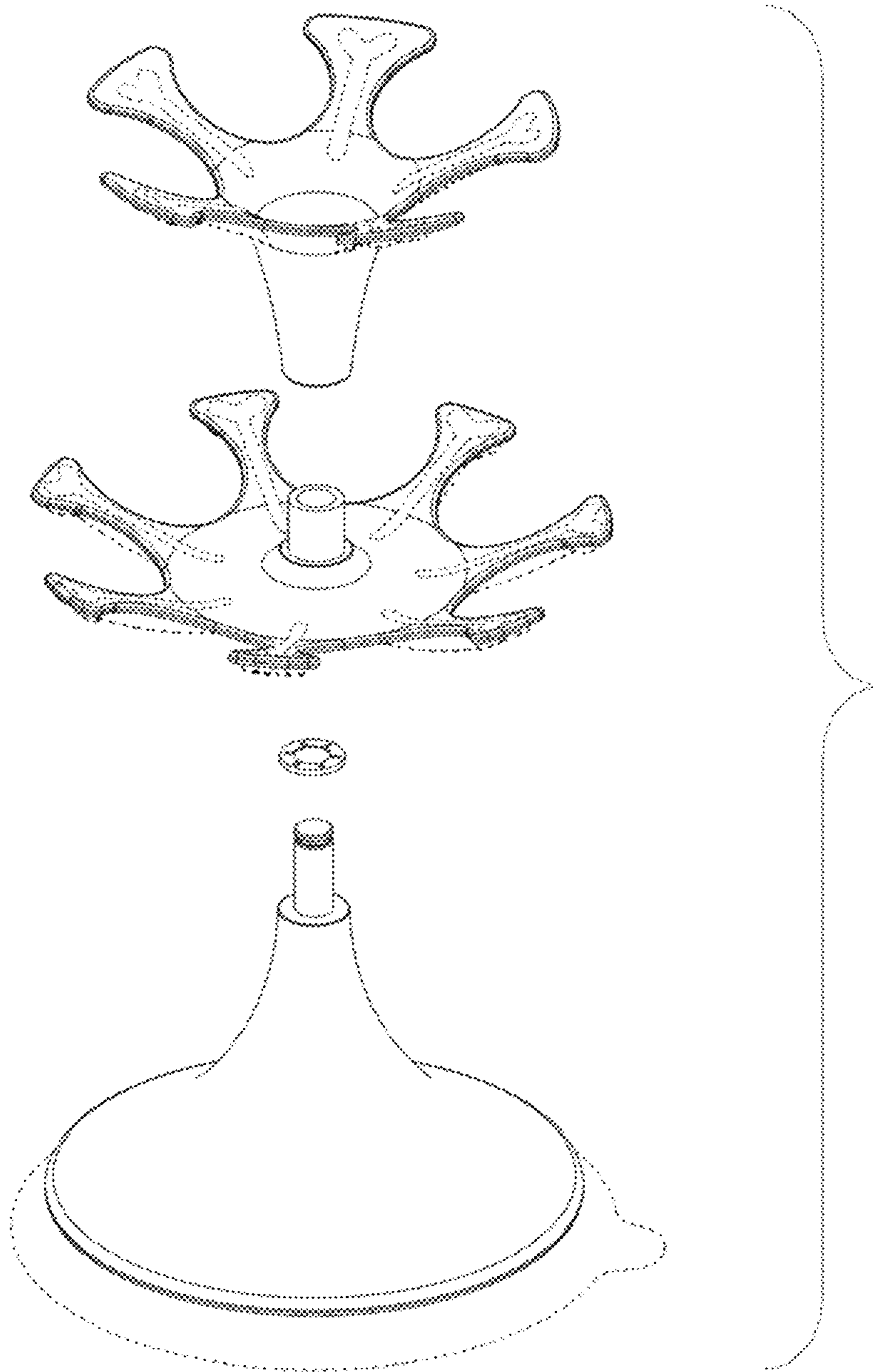


Fig. 10

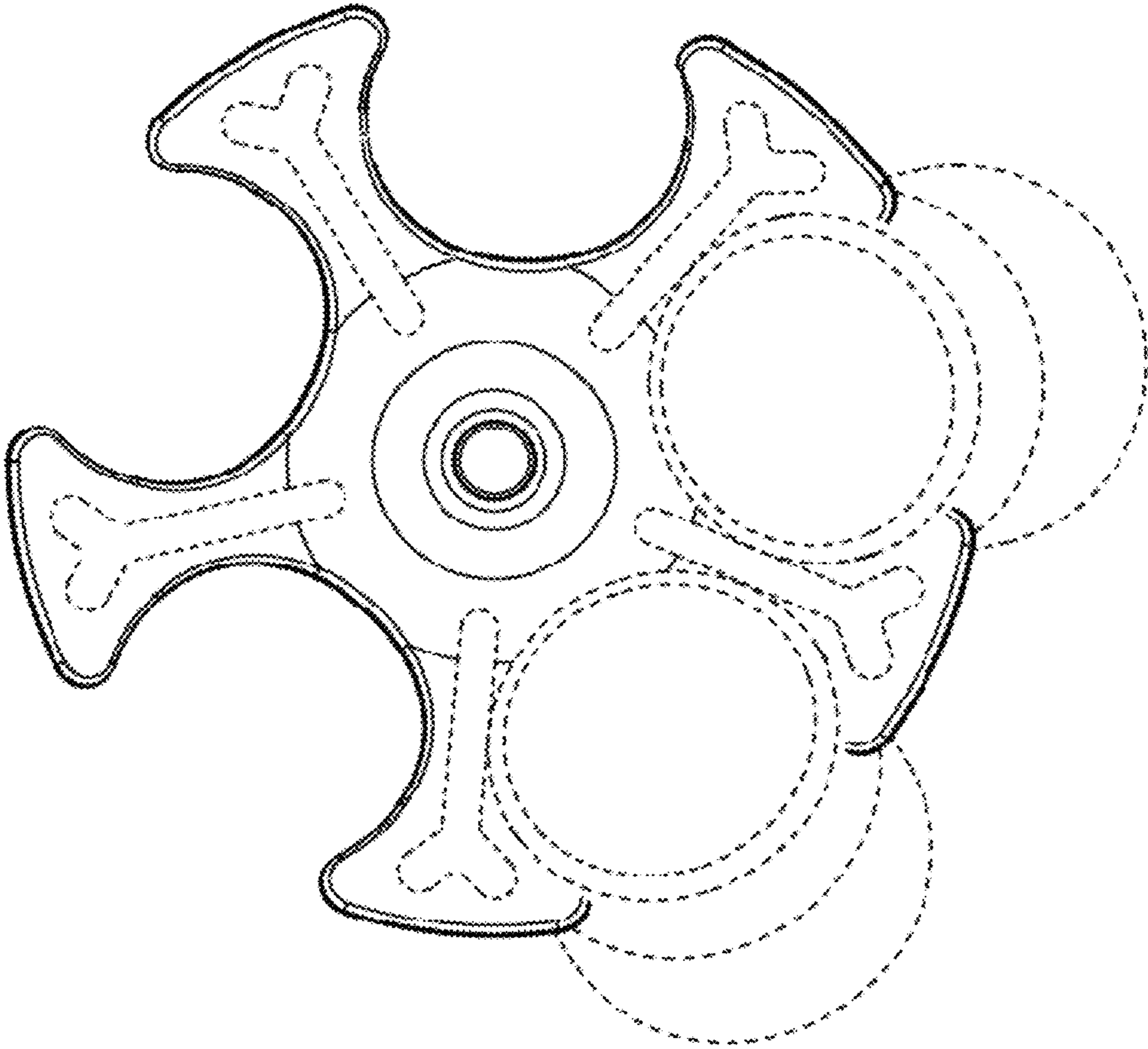


Fig. 11

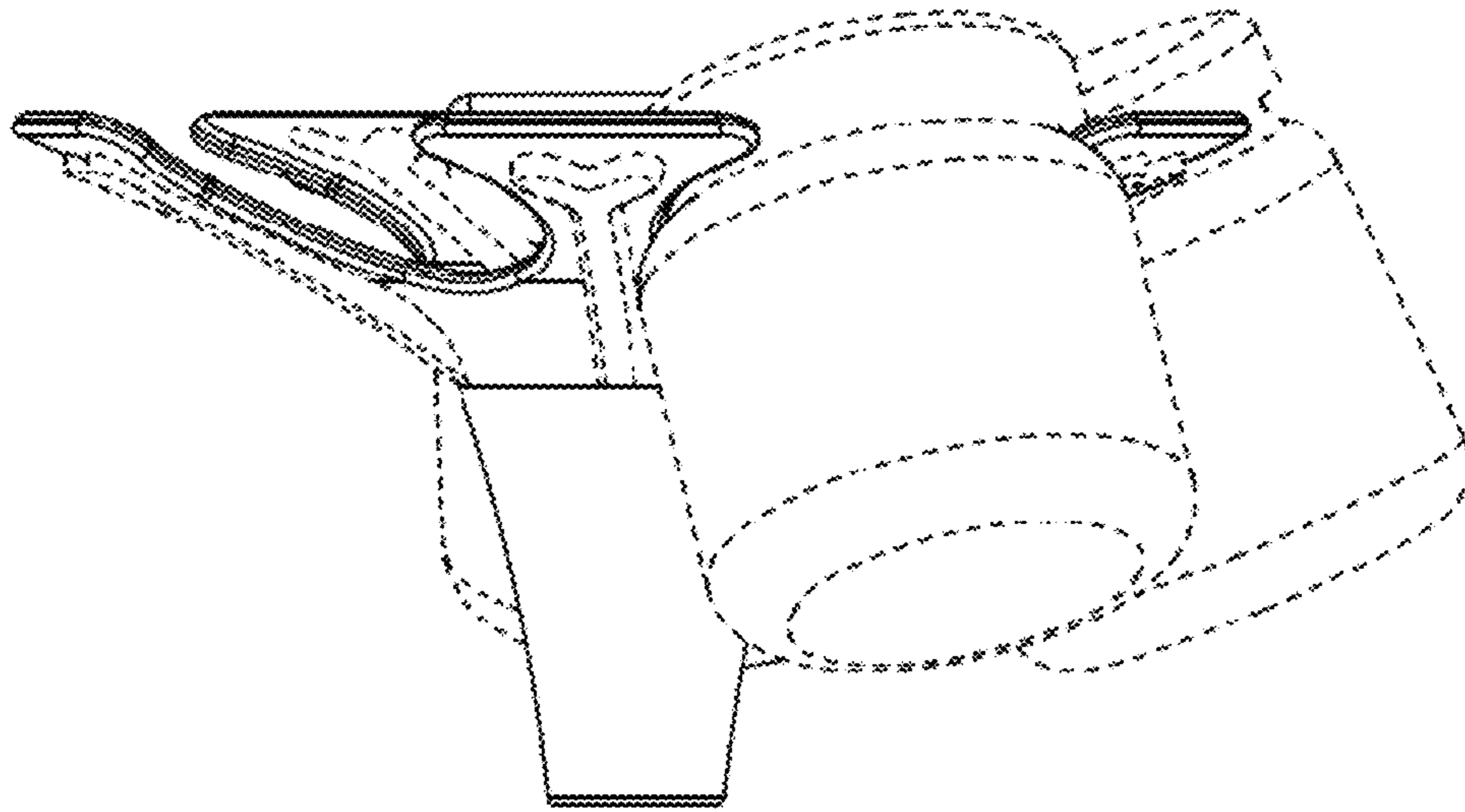


Fig. 12

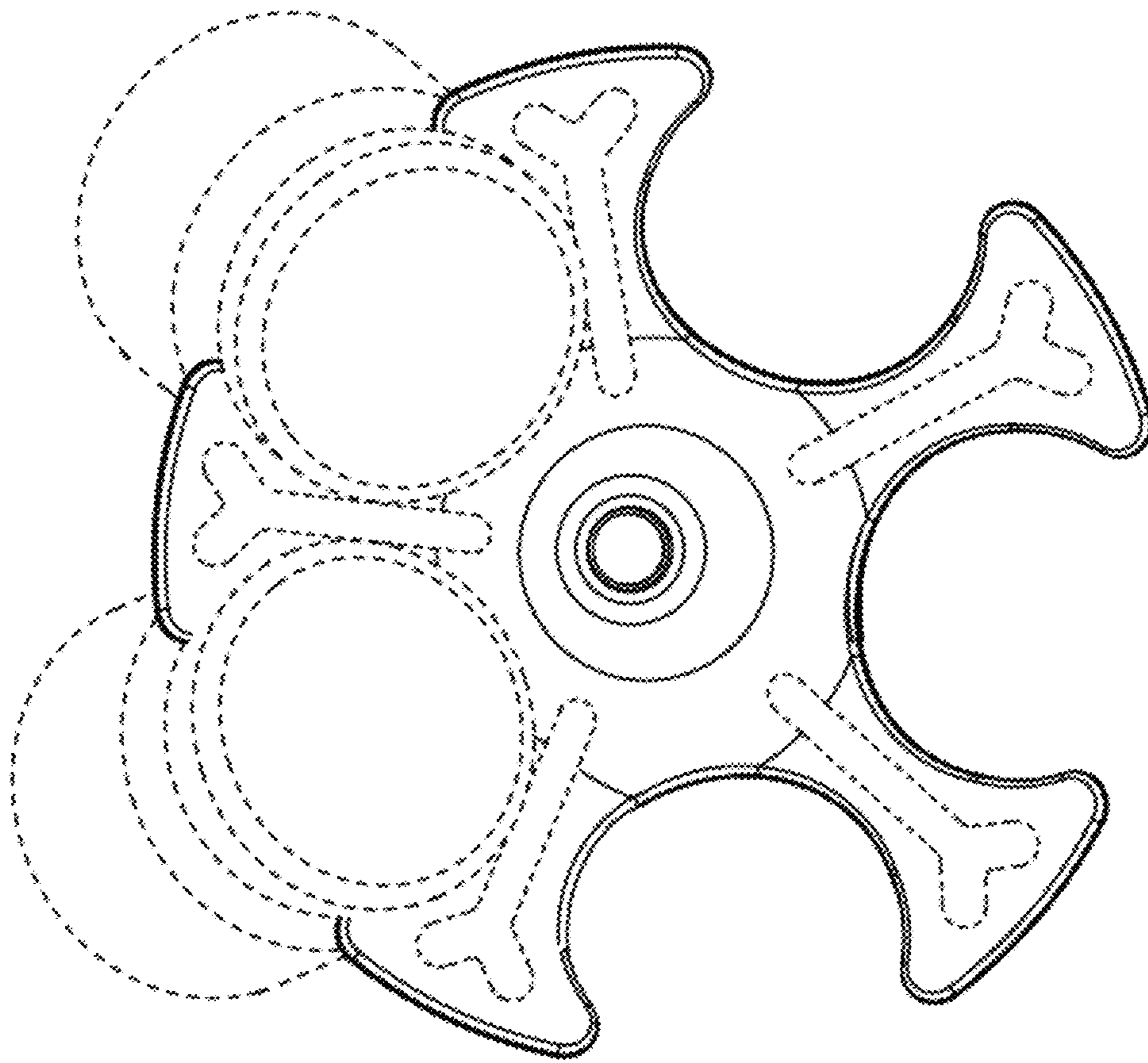


Fig. 13

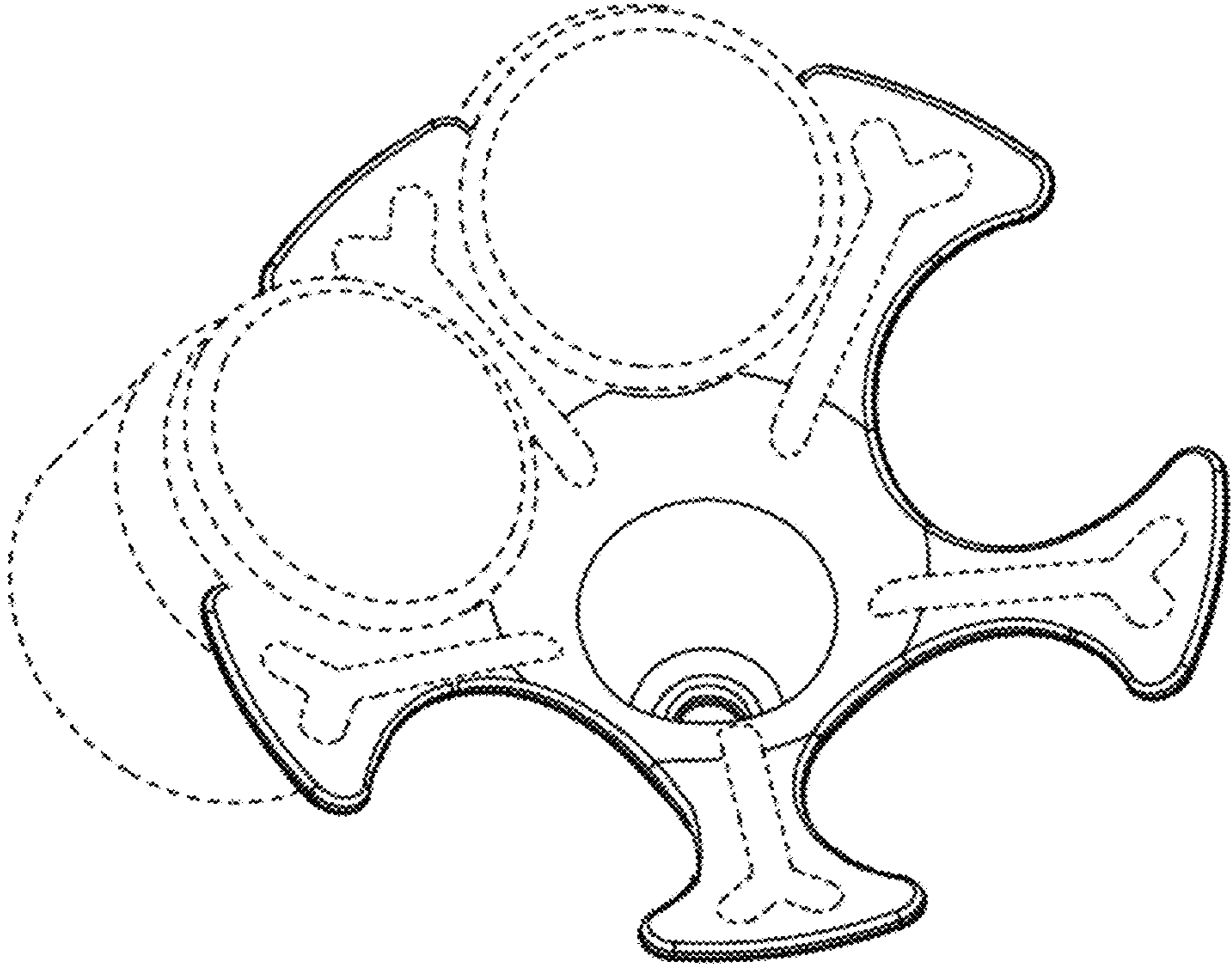


Fig. 14