

US00D867066S

(12) **United States Design Patent**
Sletten

(10) **Patent No.:** **US D867,066 S**

(45) **Date of Patent:** **** Nov. 19, 2019**

(54) **BEVERAGE CONTAINER**

(71) Applicant: **JDS INDUSTRIES, INC.**, Sioux Falls, SD (US)

(72) Inventor: **Scott Sletten**, Sioux Falls, SD (US)

(73) Assignee: **JDS Industries, Inc.**, Sioux Falls, SD (US)

(**) Term: **15 Years**

(21) Appl. No.: **29/684,299**

(22) Filed: **Mar. 20, 2019**

(51) **LOC (12) Cl.** **07-01**

(52) **U.S. Cl.**

USPC **D7/510; D7/532**

(58) **Field of Classification Search**

USPC D7/505, 507, 509, 510, 511, 523, 528, D7/529, 530, 531, 532, 535, 533, 536, D7/305, 321, 319, 316, 317, 318, 590, D7/608, 310, 396.3, 396.2; 220/592.16, 220/592.17, 705

CPC A47G 19/22; A47G 19/2205; A47G 19/2211; A47G 19/2216; A47G 19/2227; A47G 19/02; A47G 19/2288; A47J 31/06

See application file for complete search history.

(56) **References Cited**

U.S. PATENT DOCUMENTS

D310,777 S	9/1990	Ross
D356,503 S	3/1995	Mueller
D433,599 S	11/2000	Kristiansen
D479,437 S	9/2003	Gluck
D483,995 S	12/2003	Otake
D502,844 S	3/2005	Rohe
D546,125 S	7/2007	Bhavnani
D548,523 S	8/2007	Greenspon
D554,433 S	11/2007	Gluck

D555,430 S	11/2007	Tien	
D558,523 S	1/2008	Bhavnani	
D560,435 S	1/2008	Meehan	
D563,170 S	3/2008	Tornqvist	
D572,082 S	7/2008	Kortleven	
D604,562 S	* 11/2009	Lopez	D7/510
D647,760 S	11/2011	Pearson	
D721,540 S	1/2015	Greic	
D726,552 S	4/2015	Awdeh	
D729,581 S	* 5/2015	Boroski	D7/510
D734,989 S	* 7/2015	Lapsker	D7/523
D746,633 S	1/2016	Gatto	
D766,721 S	* 9/2016	Meador	D9/500
D783,359 S	* 4/2017	Sawyer	D7/510
D784,766 S	* 4/2017	Sawyer	D7/510
D790,921 S	* 7/2017	Lapsker	D7/510
D791,543 S	* 7/2017	Mulhauser	D7/510
D797,510 S	* 9/2017	Ke	D7/510

(Continued)

Primary Examiner — Jae Liang

(74) *Attorney, Agent, or Firm* — Jeffrey A. Proehl; Woods, Fuller, Shultz & Smith, PC

(57) **CLAIM**

The ornamental design for a beverage container, as shown and described.

DESCRIPTION

FIG. 1 is a perspective view of a beverage container showing my new design;

FIG. 2 is a front elevational view of the beverage container; FIG. 3 is a left side elevational view of the beverage container, the right side elevational view being a mirror image thereof;

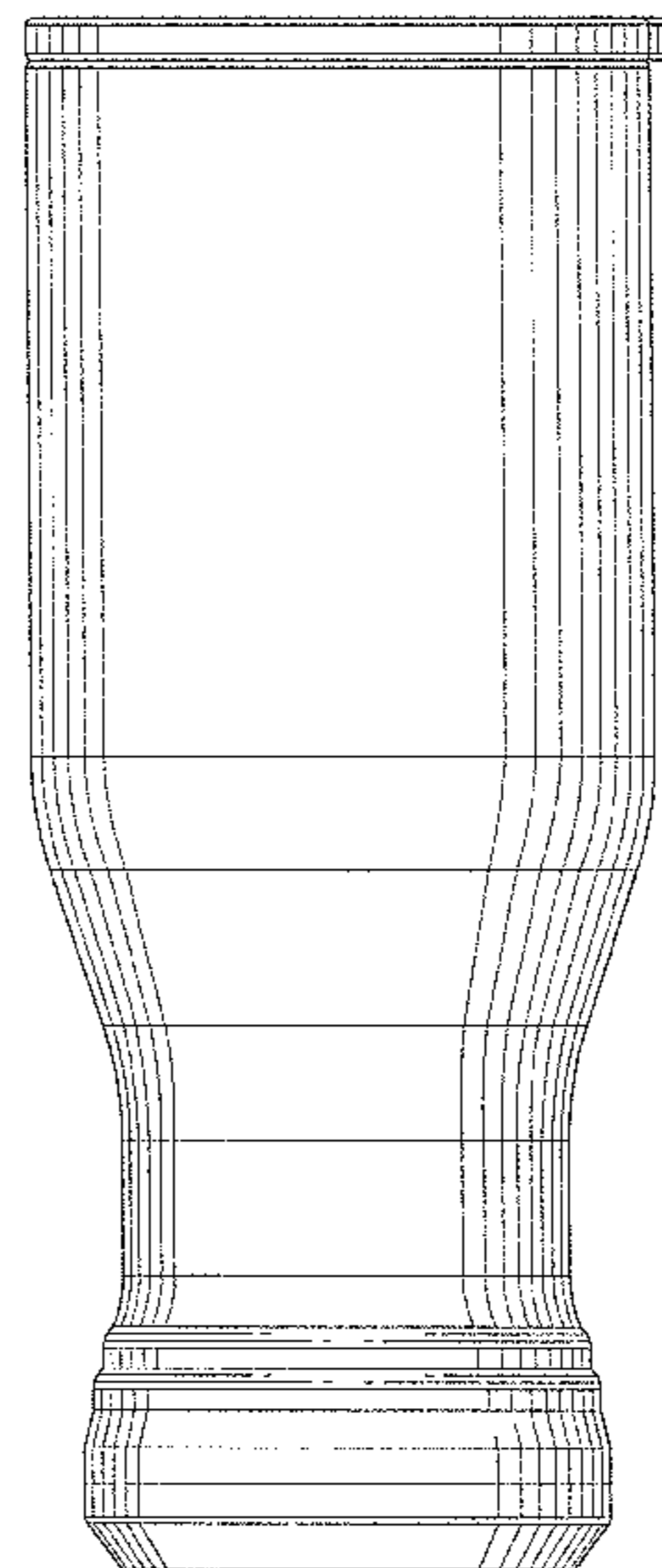
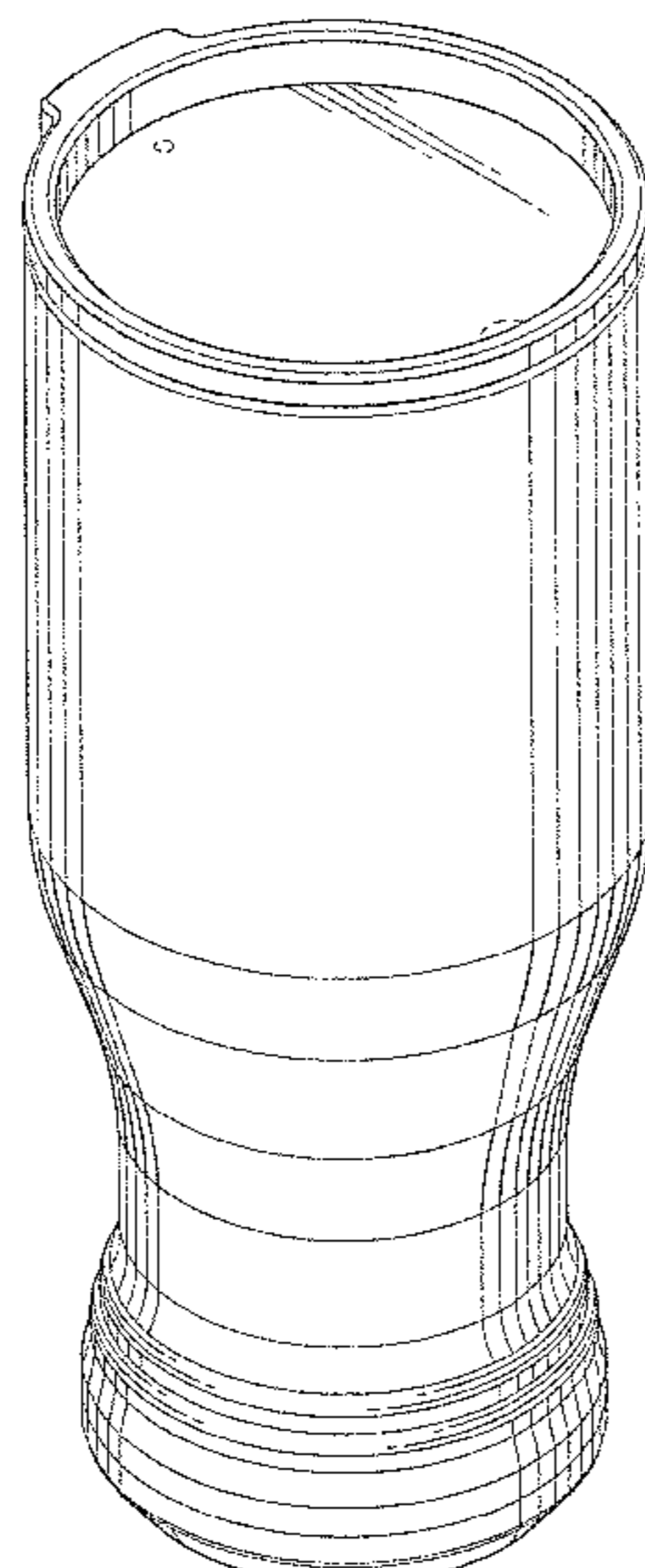
FIG. 4 is a top plan view of the beverage container;

FIG. 5 is a rear elevational view of the beverage container; and,

FIG. 6 is a bottom plan view of the beverage container.

The broken lines depict portions of the beverage container that form no part of the claim.

1 Claim, 2 Drawing Sheets



(56)

References Cited

U.S. PATENT DOCUMENTS

D810,512 S *	2/2018	Wu	D7/512
D811,817 S *	3/2018	Harrington, III	D7/510
D816,409 S *	5/2018	Sawyer	D7/510
D809,406 S	6/2018	Rivera	
D819,406 S *	6/2018	Rivera	D7/532
D820,045 S *	6/2018	Harrington, III	D7/511
D821,151 S *	6/2018	Lapsker	D7/511
D830,770 S	10/2018	Verhoeven	
D833,817 S *	11/2018	Sletten	D7/510
D842,038 S *	3/2019	Seiders	D7/510

* cited by examiner

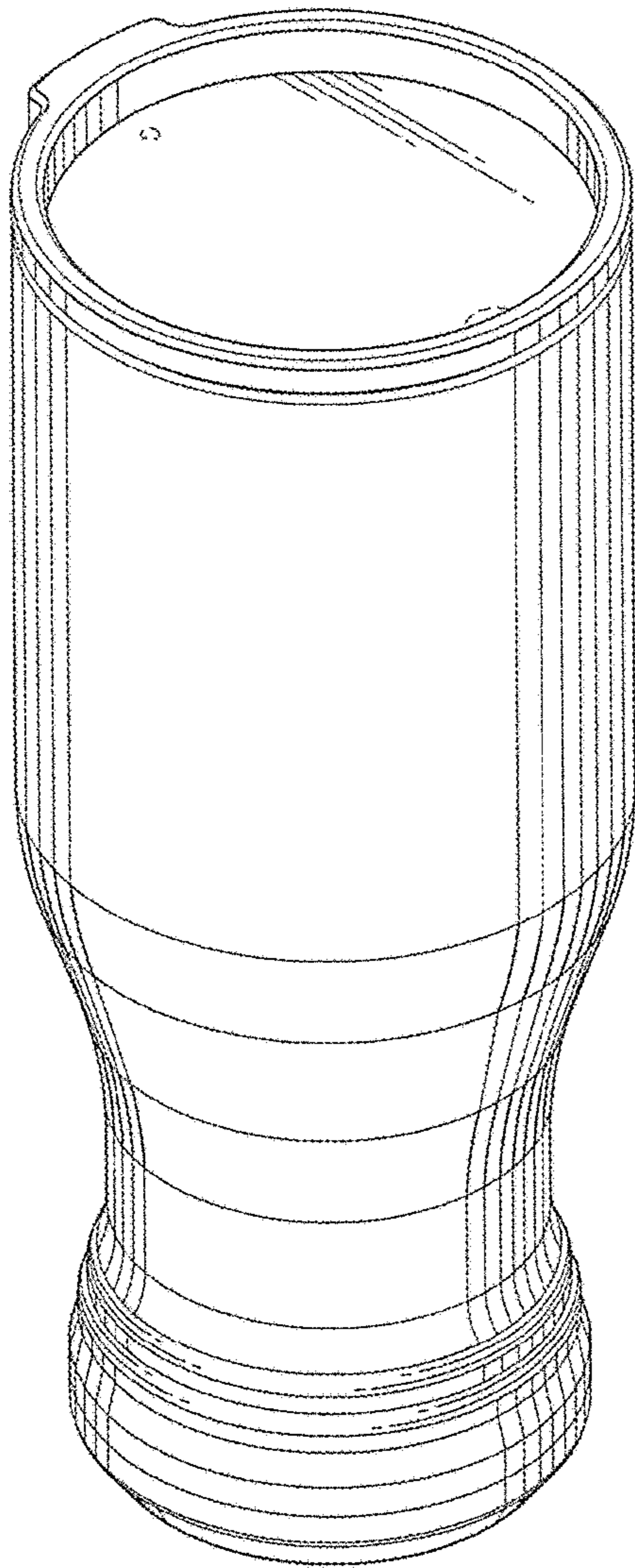


Fig. 1

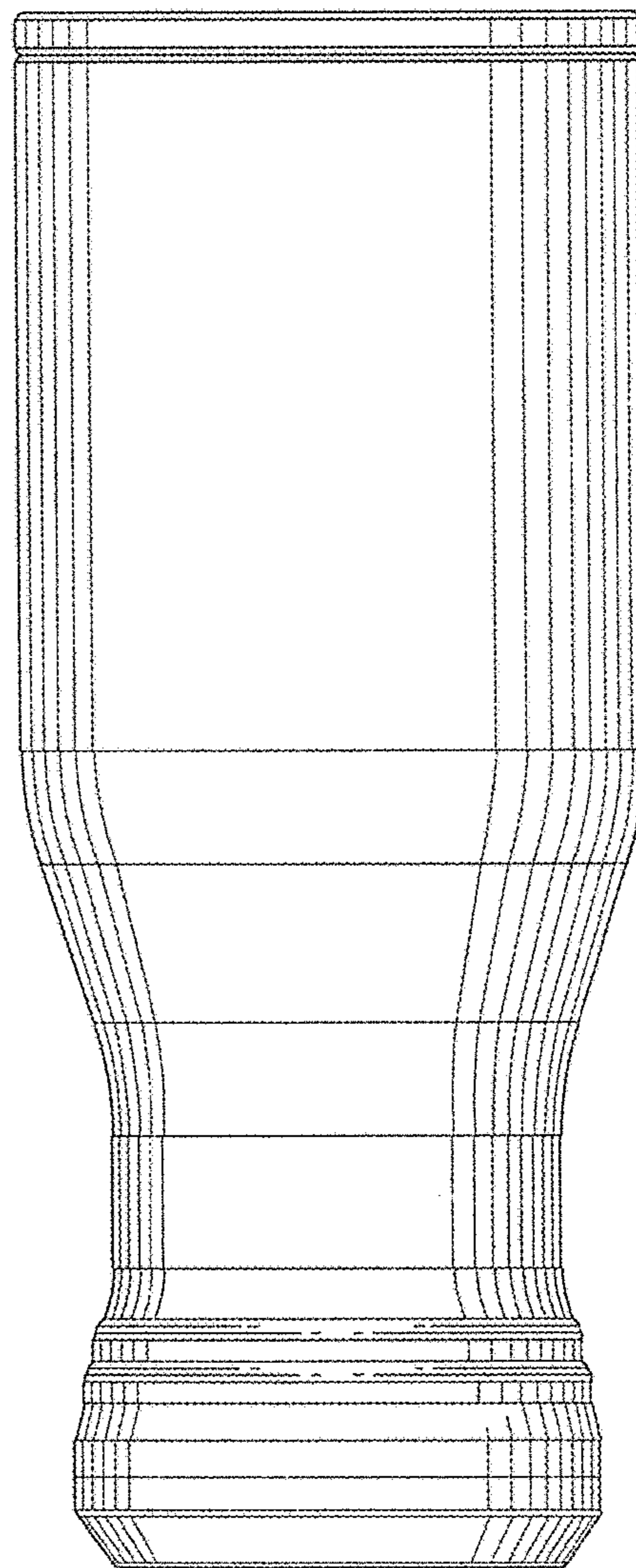


Fig. 2

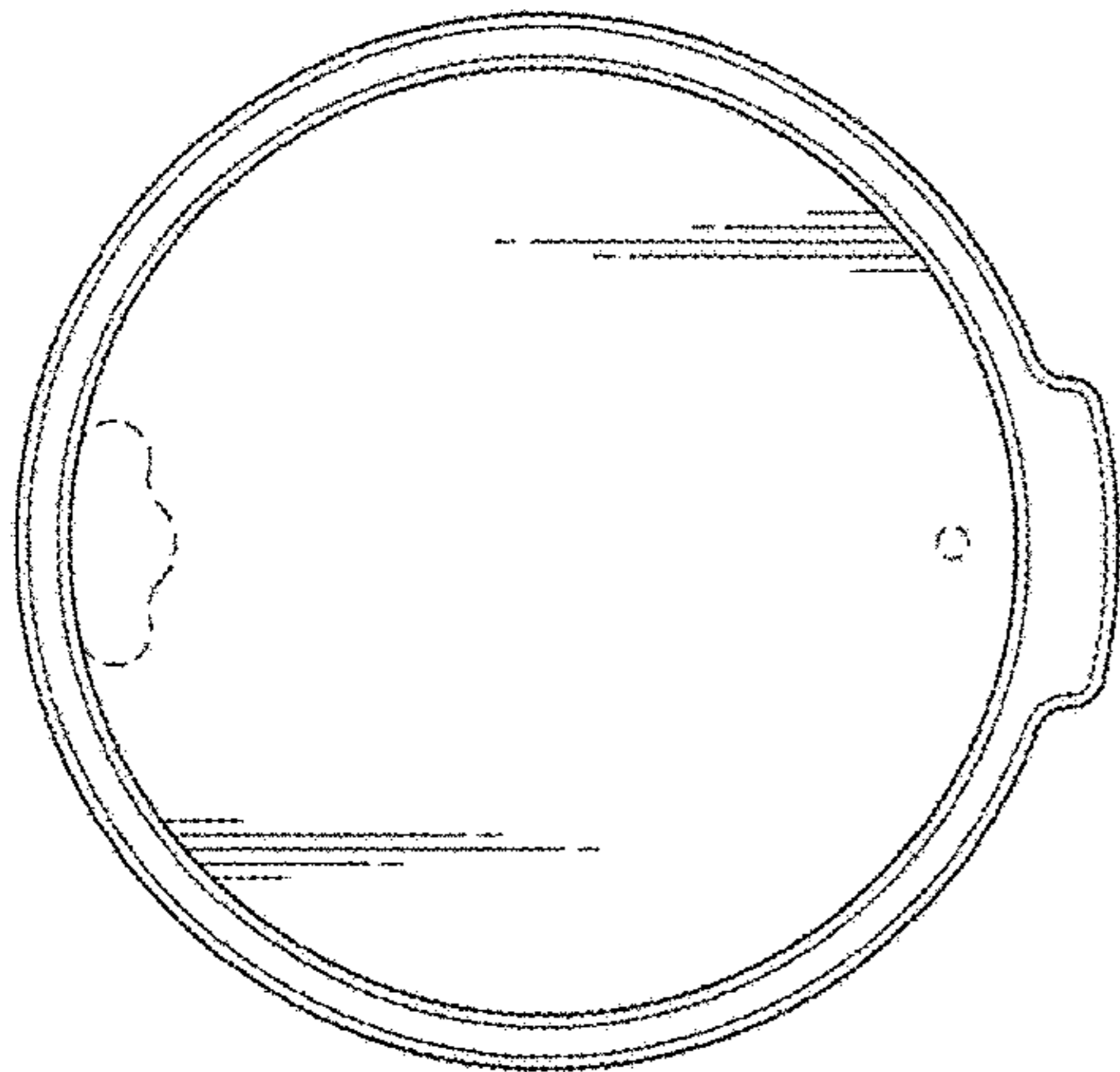


Fig. 4

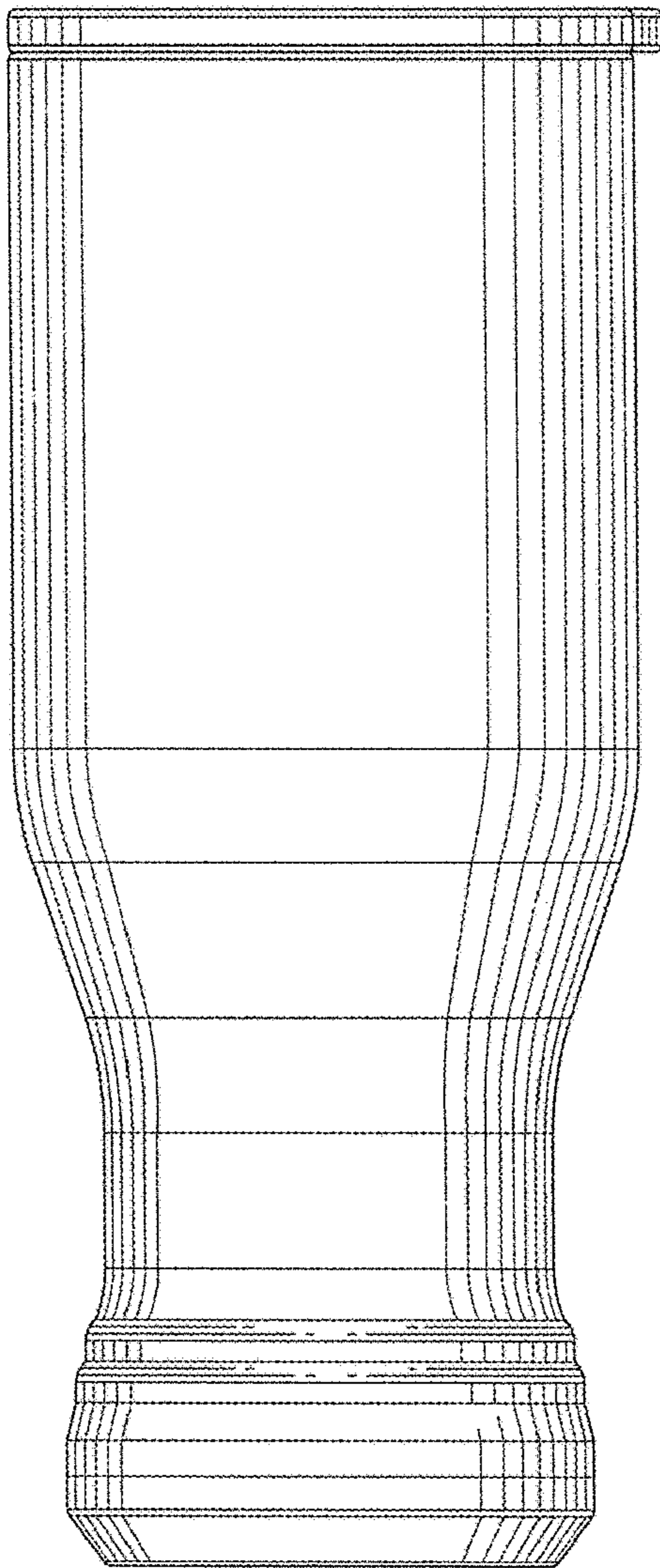


Fig. 3

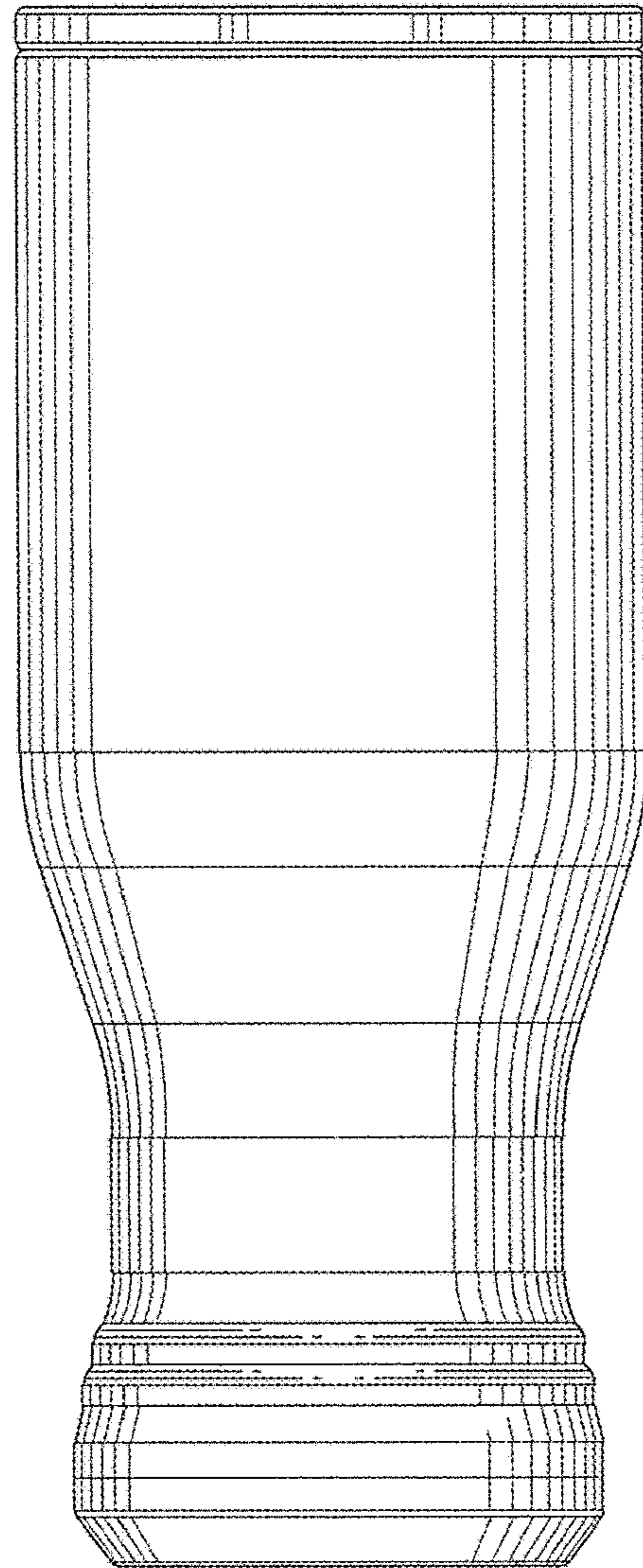


Fig. 5

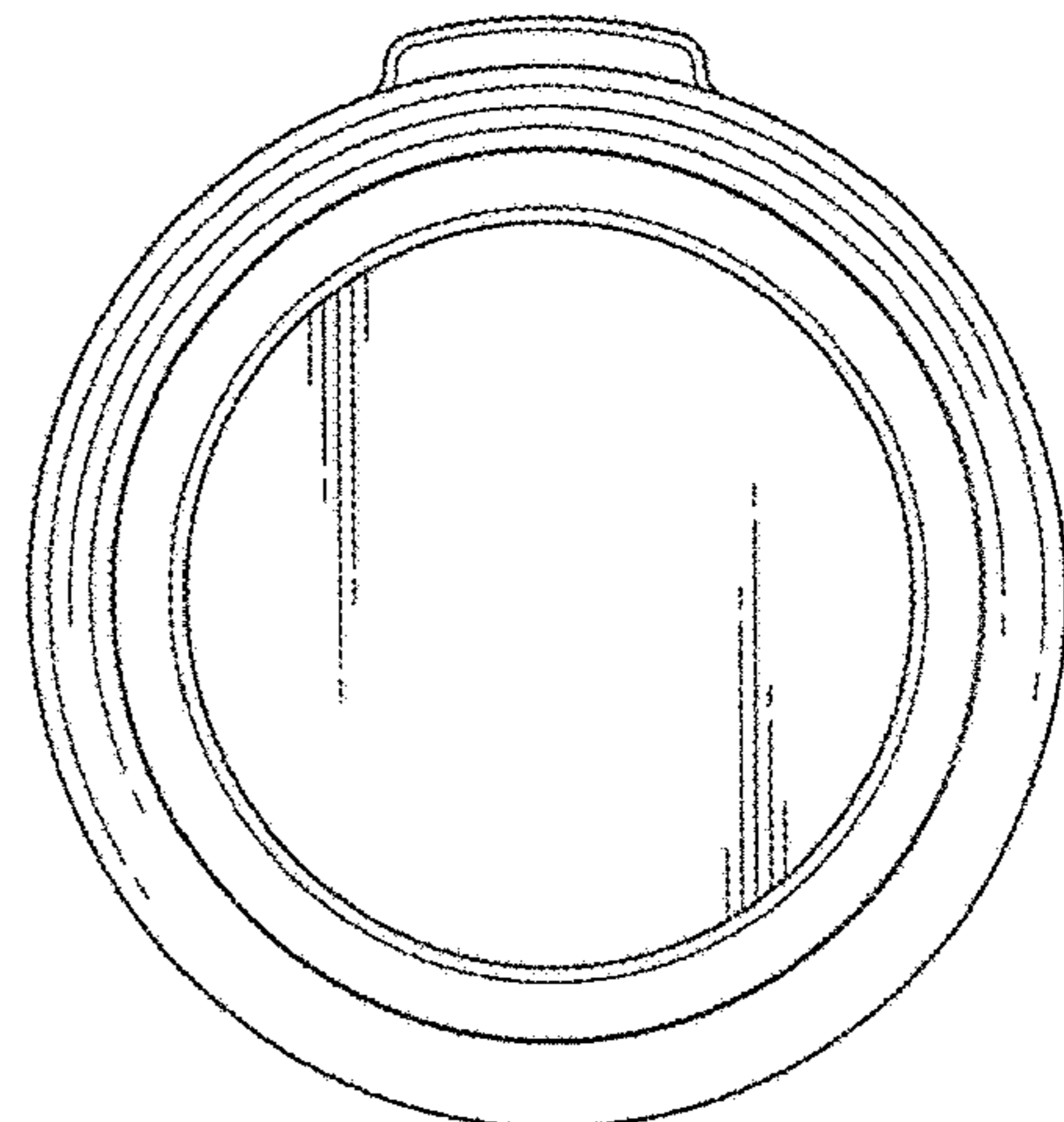


Fig. 6