

US00D867065S

(12) **United States Design Patent**
Colston et al.

(10) **Patent No.:** **US D867,065 S**

(45) **Date of Patent:** **** Nov. 19, 2019**

(54) **PELLET HOPPER LINER FOR BARBECUE SMOKER**

(71) Applicant: **Traeger Pellet Grills, LLC**, Salt Lake City, UT (US)

(72) Inventors: **Michael Colston**, Salt Lake City, UT (US); **Daniel Sluder**, Salt Lake City, UT (US); **Phuong Kim Hoang**, Salt Lake City, UT (US)

(73) Assignee: **Traeger Pellet Grills, LLC**, Salt Lake City, UT (US)

(**) Term: **15 Years**

(21) Appl. No.: **29/636,987**

(22) Filed: **Feb. 13, 2018**

(51) **LOC (12) Cl.** **07-02**

(52) **U.S. Cl.**
USPC **D7/407**

(58) **Field of Classification Search**
USPC D7/402-409, 332, 337, 339-341, D7/346-349, 350.1-351, 362-363, 323, D7/550.1, 552.1, 554.3, 554.4
CPC A47J 37/0786; F24C 15/16; F24C 3/082; F24C 3/085; F24C 7/083
See application file for complete search history.

(56) **References Cited**

U.S. PATENT DOCUMENTS

- D212,656 S * 11/1968 Ihde D23/350
- D301,107 S * 5/1989 Rocco D7/332
- D303,061 S * 8/1989 Fountain, Sr. D7/332
- D377,136 S * 1/1997 Knuth D7/402
- D381,868 S * 8/1997 Schmitt D7/332
- 5,694,295 A * 12/1997 Mochizuki F28D 15/0233
165/104.22
- D580,209 S * 11/2008 Chiang D7/332

- D747,922 S * 1/2016 Borovicka D7/402
- D784,759 S * 4/2017 Nadal D7/407
- D788,525 S * 6/2017 Parrish A23L 5/15
D7/409
- D812,973 S * 3/2018 Nadal D7/402
- D825,988 S * 8/2018 Wang D7/402
- D832,045 S * 10/2018 Nadal D7/402

* cited by examiner

Primary Examiner — Sheryl Lane

Assistant Examiner — Nicole C Shiflet

(74) *Attorney, Agent, or Firm* — TraskBritt

(57) **CLAIM**

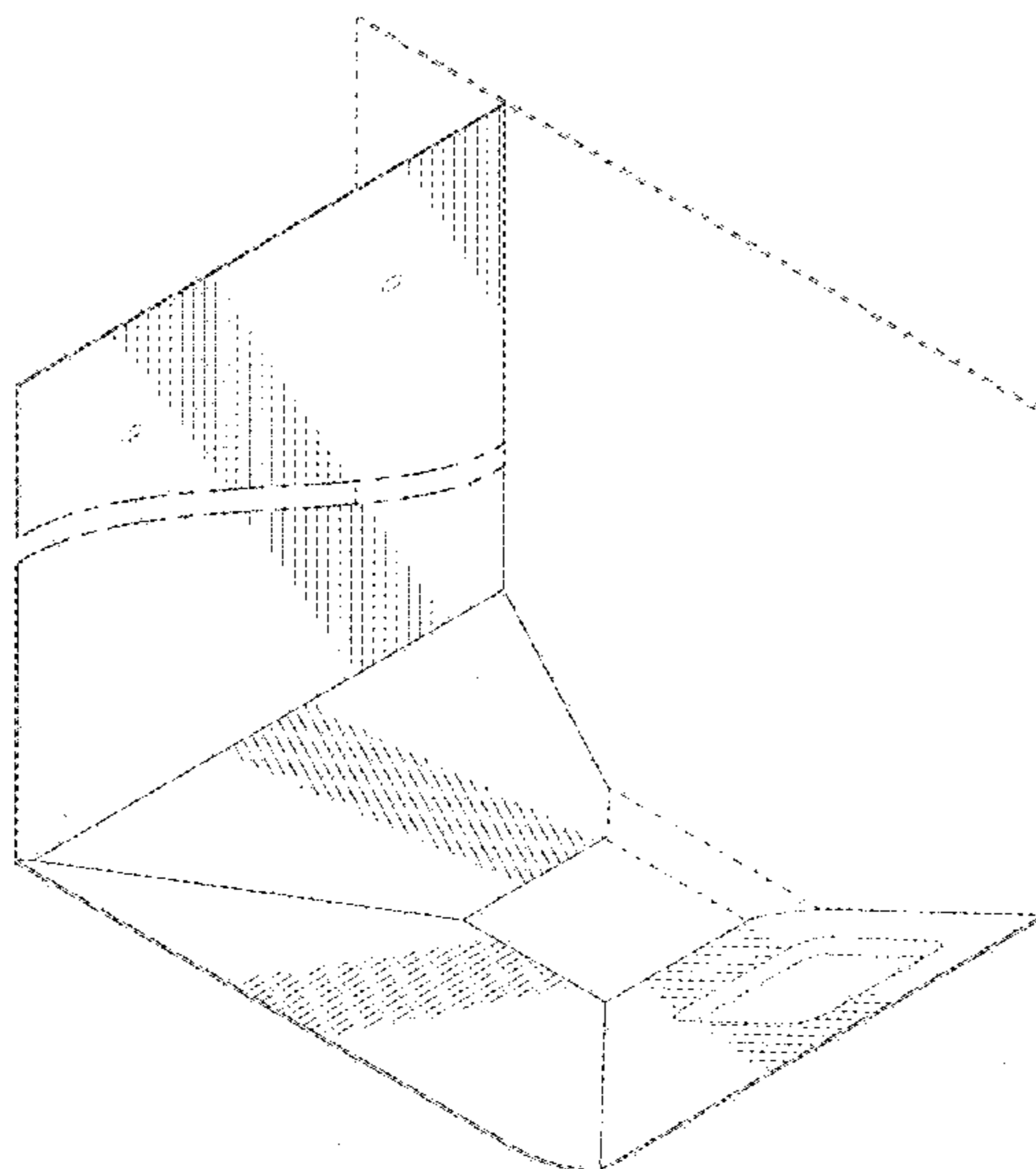
The ornamental design for a pellet hopper liner for barbecue smoker, as shown and described.

DESCRIPTION

FIG. 1 is a top, front perspective view of our new design for a pellet hopper liner for barbecue smoker;
FIG. 2 is a top plan view thereof;
FIG. 3 is a bottom plan view thereof;
FIG. 4 is a left elevation view thereof;
FIG. 5 is a right elevation view thereof;
FIG. 6 is a front elevation view thereof;
FIG. 7 is a rear elevation view thereof;
FIG. 8 is a perspective view of the pellet hopper liner inside a barbecue smoker;
FIG. 9 is an exploded view thereof; and,
FIG. 10 is a top view thereof.

The broken line showing of elements on the pellet hopper liner for barbecue smoker illustrate portions of the article, and the broken line showing of a barbecue smoker illustrate environment, neither of which form part of the claimed design. The curved dot-dashed lines in FIGS. 1, 4, 5, 6, and 9 and the appearance of any portion of the article between the curved dot-dashed lines form no part of the claimed design.

1 Claim, 9 Drawing Sheets



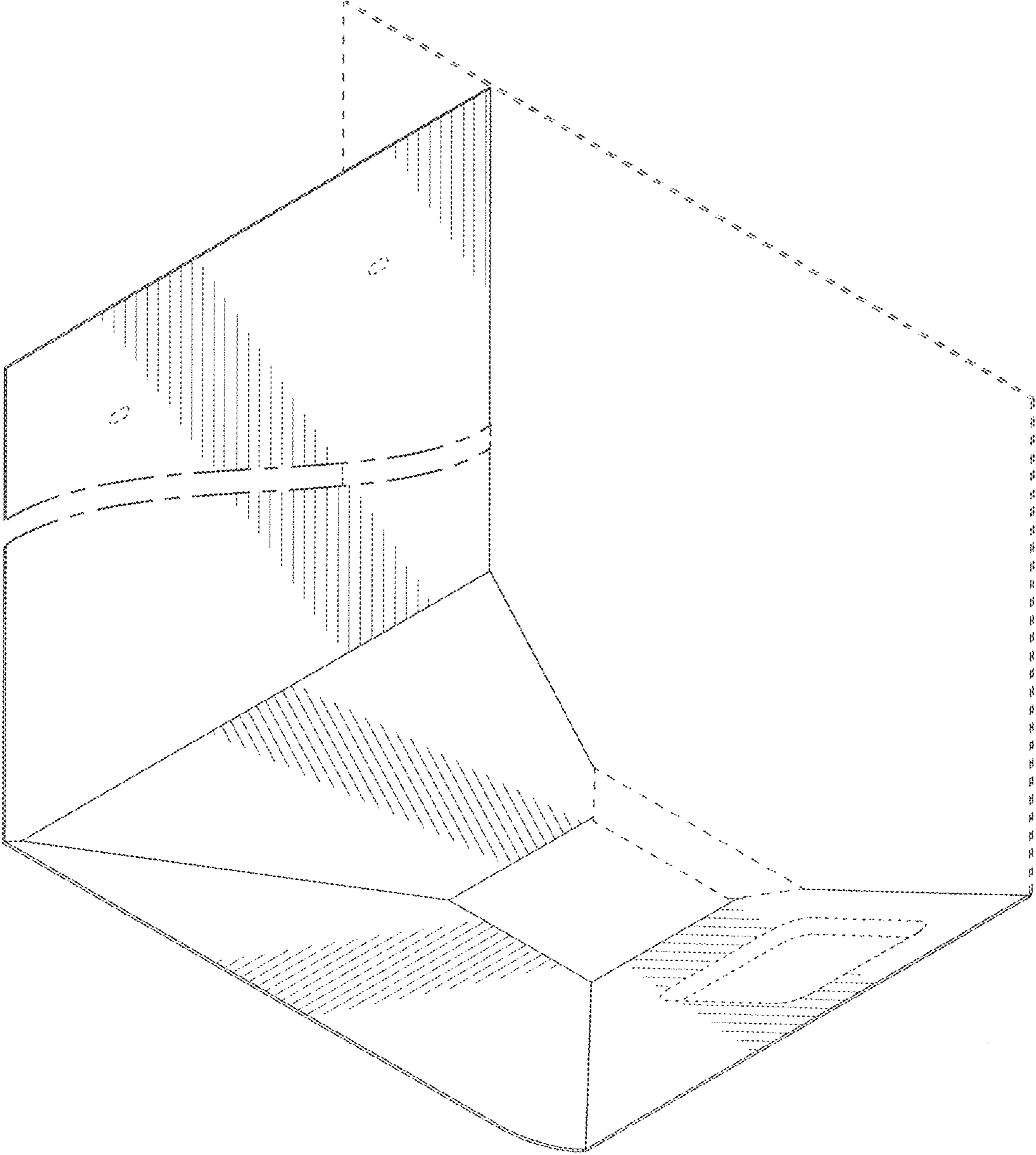


FIG. 1

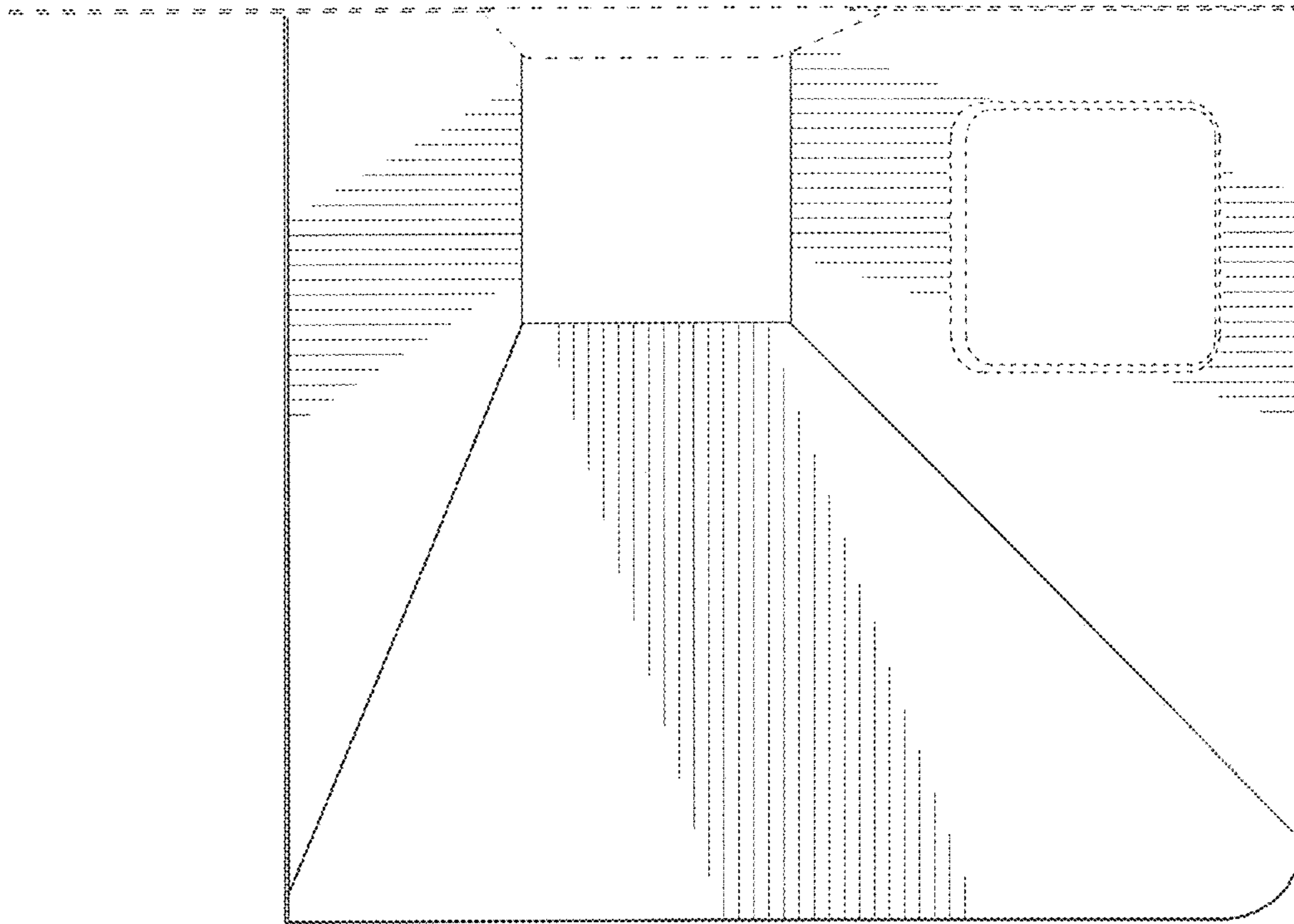


FIG. 2

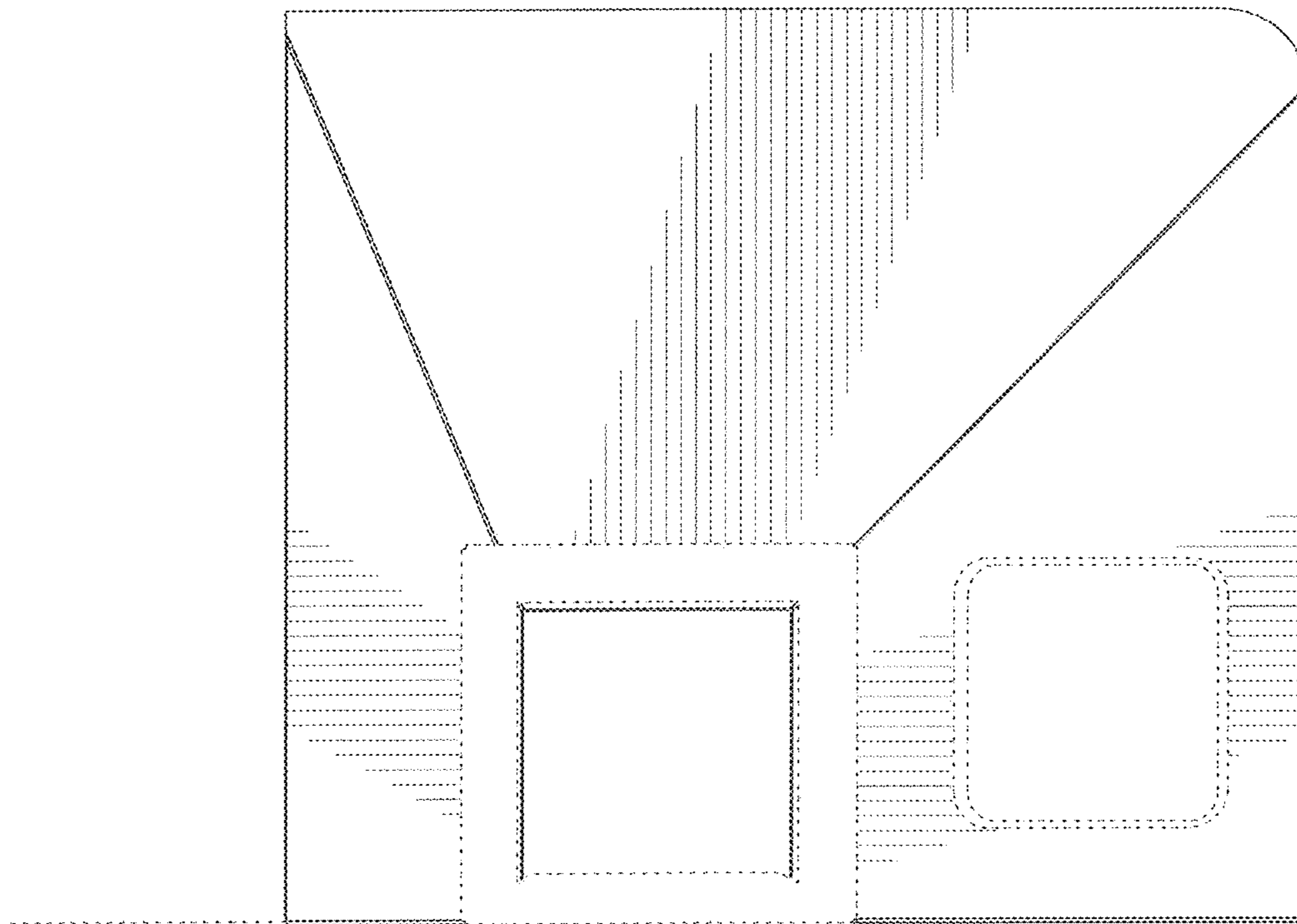


FIG. 3

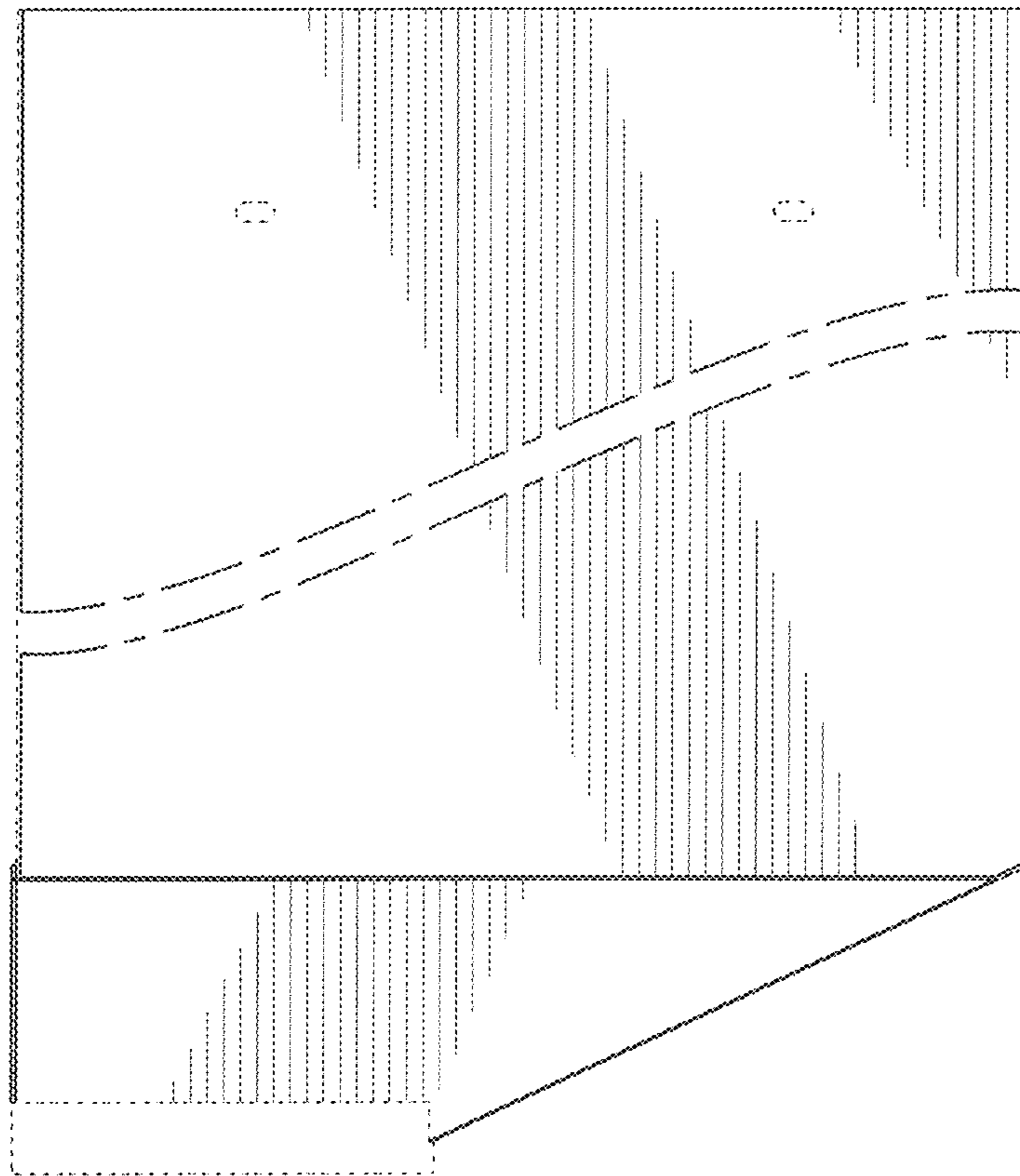


FIG. 4

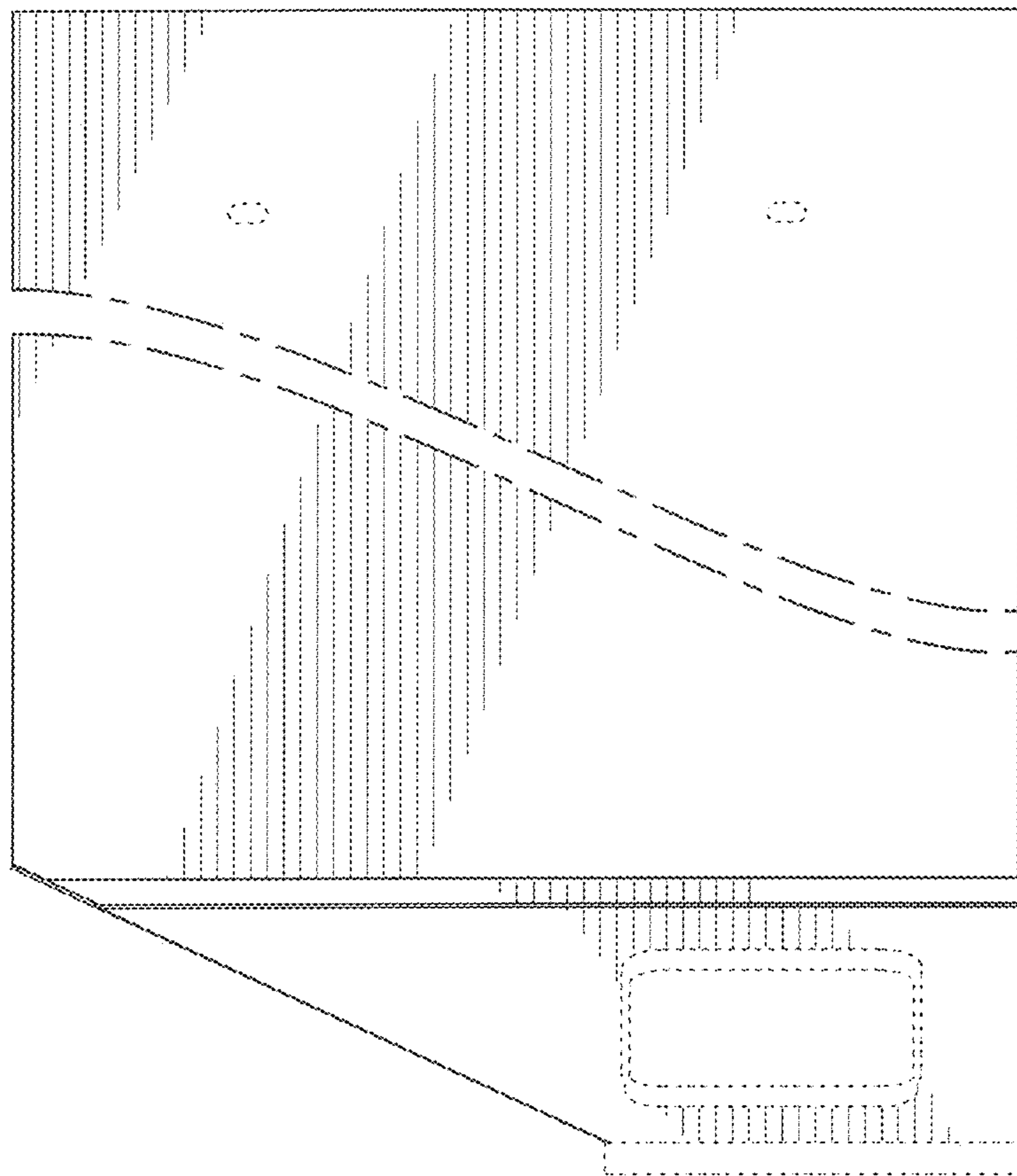


FIG. 5

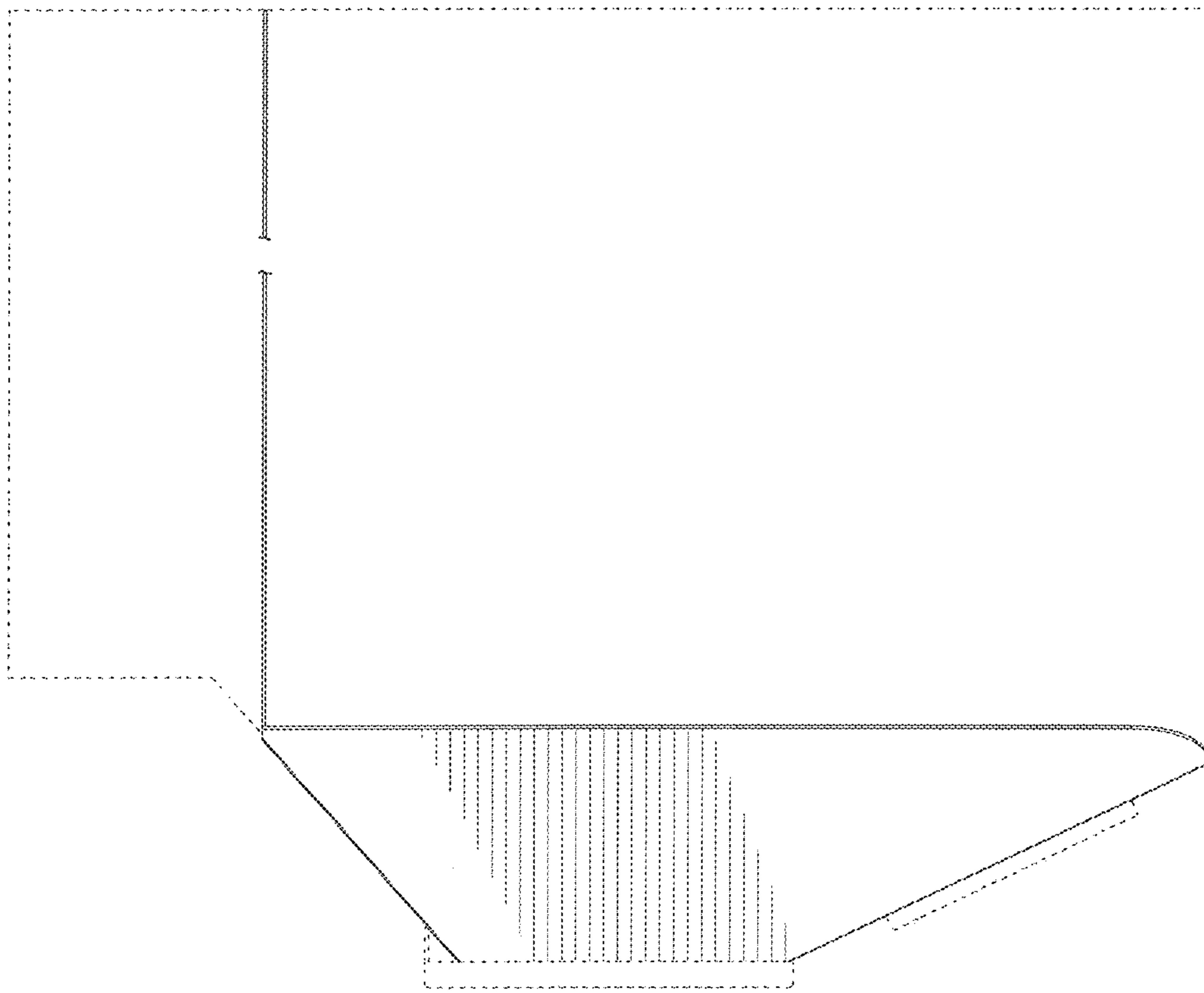


FIG. 6

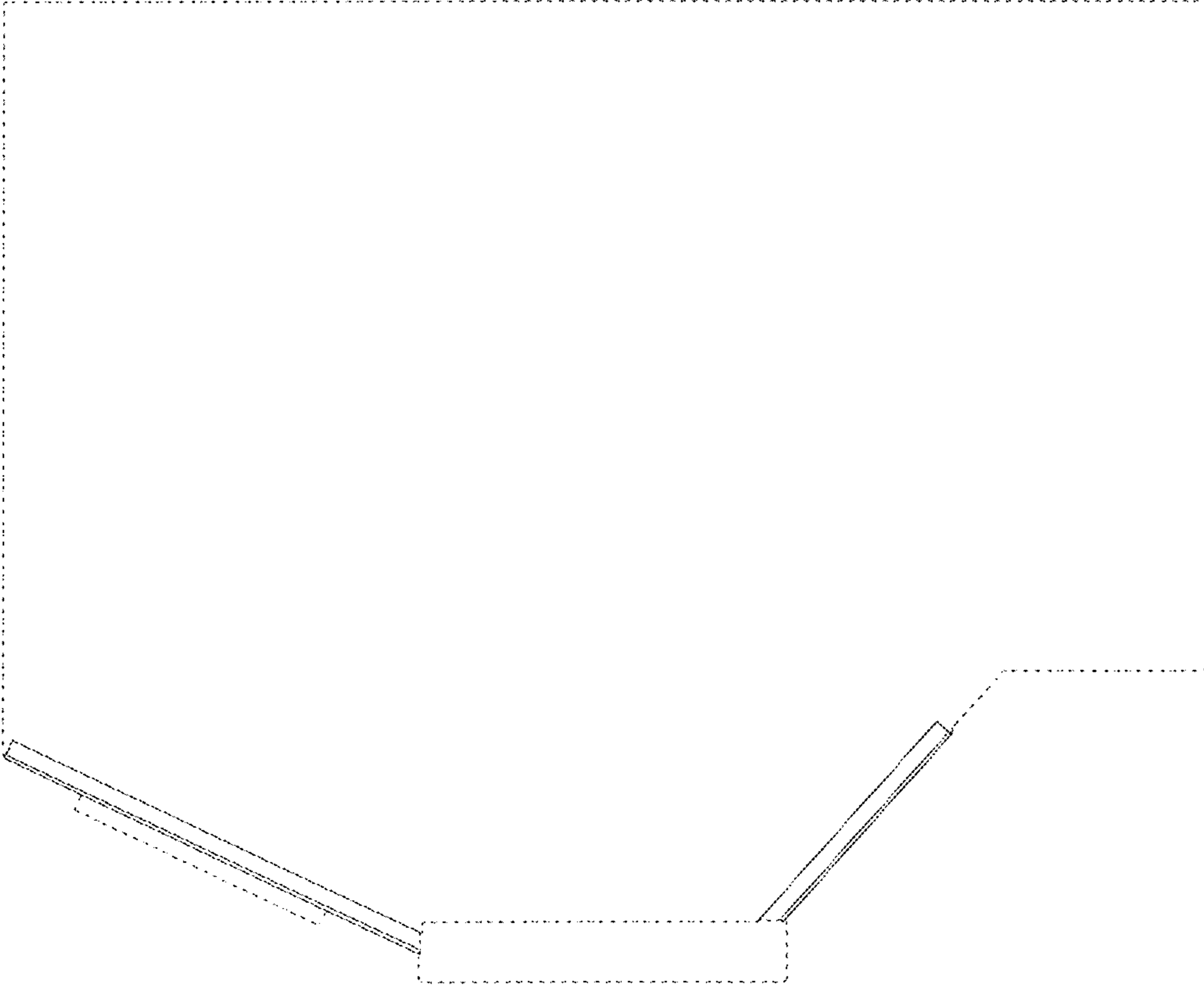


FIG. 7

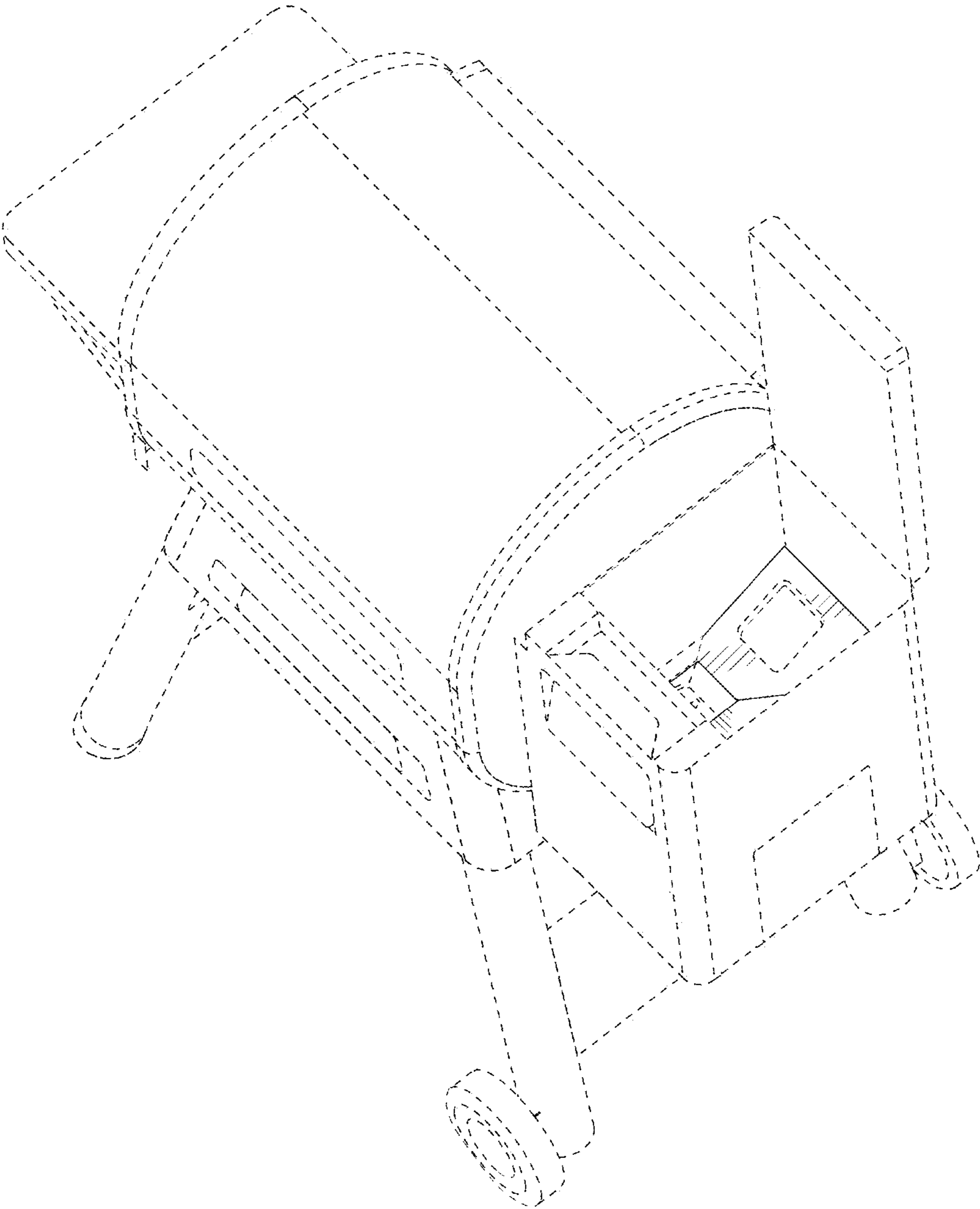


FIG. 8

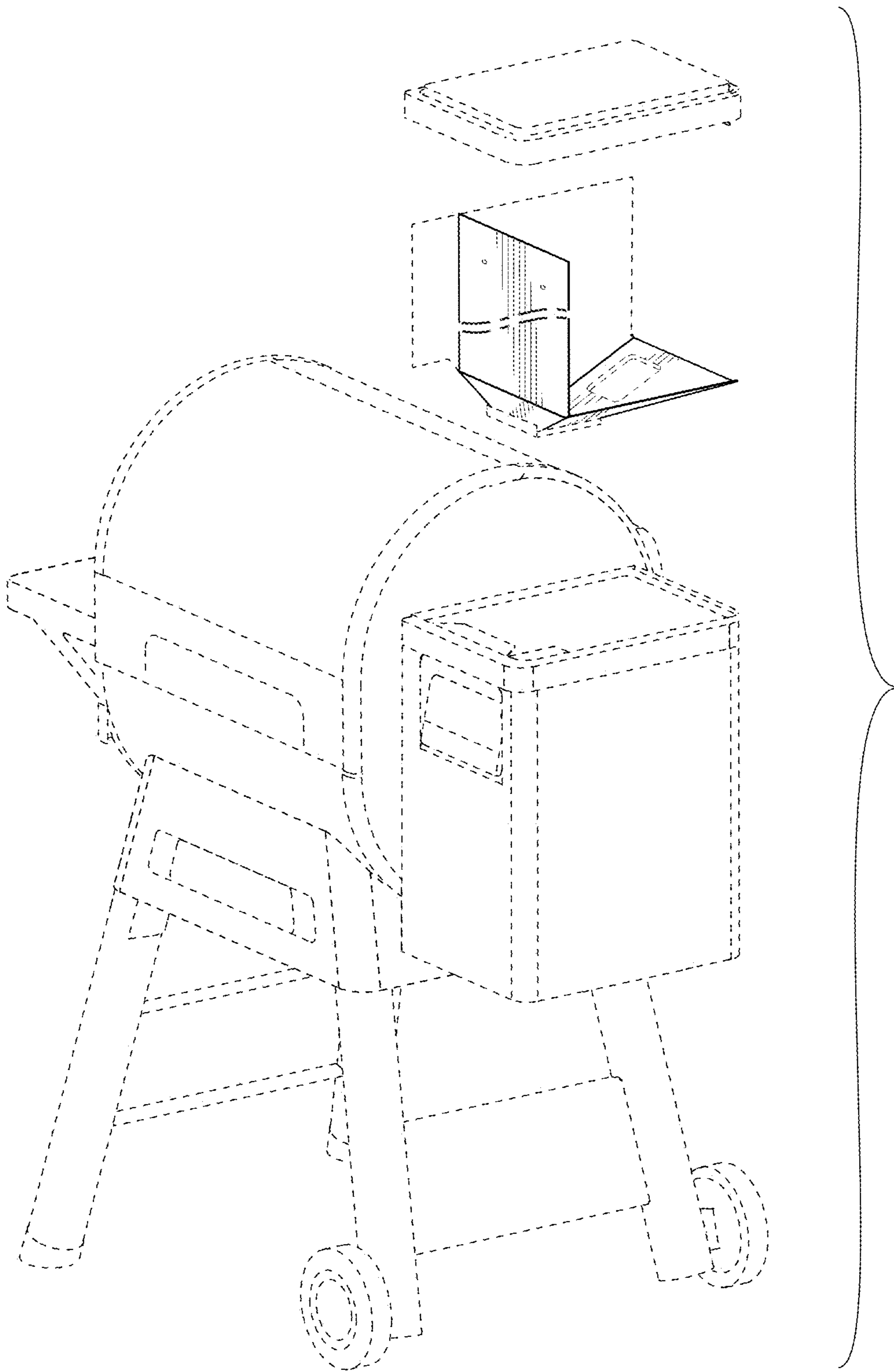


FIG. 9

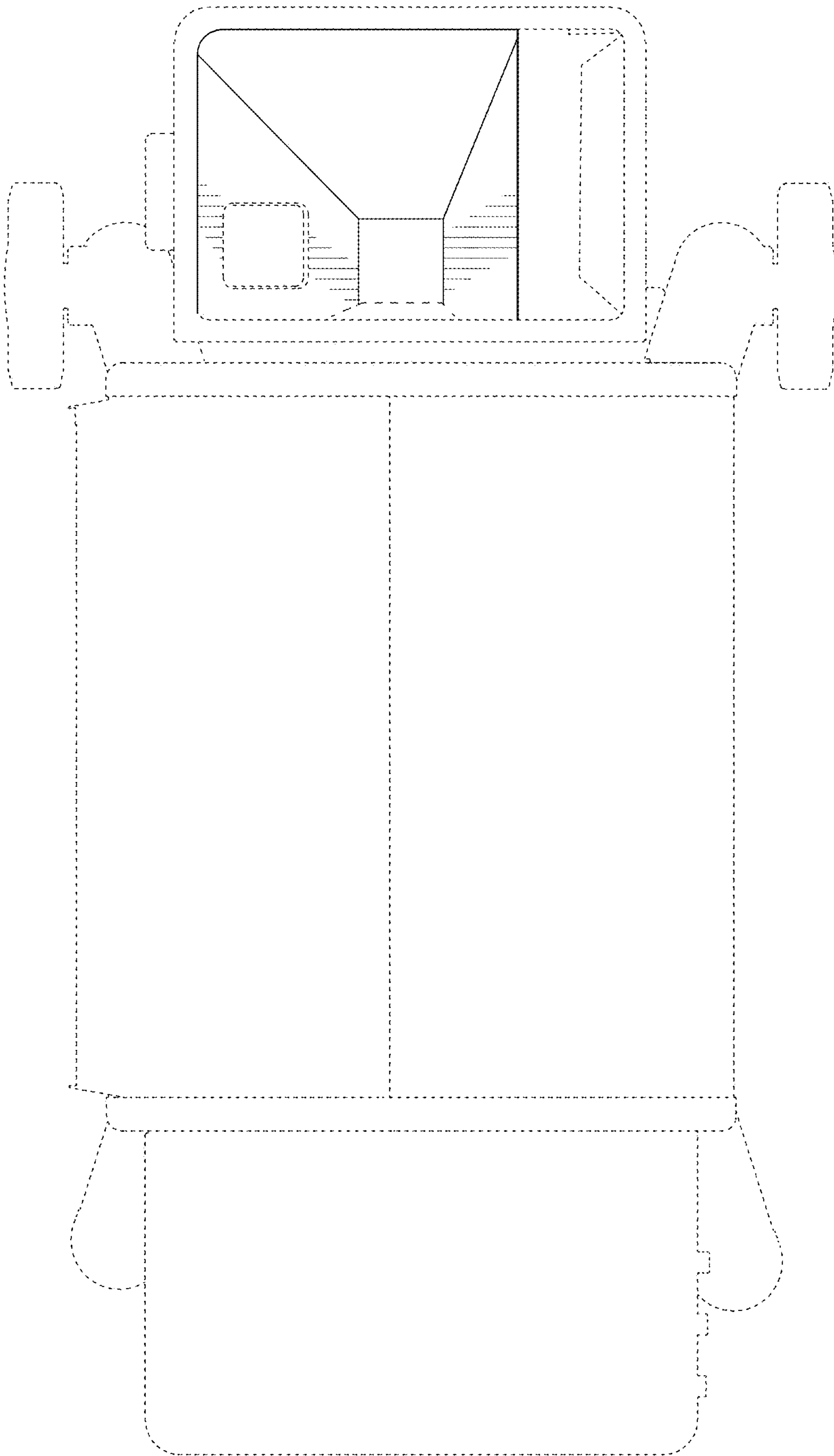


FIG. 10