



US00D867062S

(12) **United States Design Patent**
Meyers

(10) **Patent No.:** **US D867,062 S**

(45) **Date of Patent:** **** Nov. 19, 2019**

(54) **LID**

(71) Applicant: **RUNWAY BLUE, LLC**, Alpine, UT (US)

(72) Inventor: **David O. Meyers**, East Layton, UT (US)

(73) Assignee: **Runway Blue, LLC**, Alpine, UT (US)

(**) Term: **15 Years**

(21) Appl. No.: **29/679,138**

(22) Filed: **Feb. 1, 2019**

Related U.S. Application Data

(62) Division of application No. 29/580,622, filed on Oct. 11, 2016, now Pat. No. Des. 842,030.

(51) **LOC (12) Cl.** **07-01**

(52) **U.S. Cl.**
USPC **D7/396.2**

(58) **Field of Classification Search**
USPC D3/202; D7/300, 300.1, 313, 314, 316,
D7/387, 392, 392.1, 393, 396, 396.1,
(Continued)

(56) **References Cited**

U.S. PATENT DOCUMENTS

D288,663 S 3/1987 Thieffry
D305,871 S * 2/1990 Geiger D9/435
(Continued)

FOREIGN PATENT DOCUMENTS

CA 2983871 A1 * 7/2018 B65D 1/0246
JP 838798 S 6/1992

OTHER PUBLICATIONS

Thermos Vacuum Insulated 32 Ounce: Announced Apr. 6, 2007 [online]. Site Visited Jan. 5, 2018. Available from Internet URL: <https://www.amazon.com/Thermos-Insulated-Compact-Stainless->

Beverage/product-reviews/BOOJJB3EO/ref=cm_cr_ar_p_d_paging_btm_163?ie=UTF8&reviewerType=all_reviews&pageNumber=163.*

(Continued)

Primary Examiner — Jennifer Rivard

Assistant Examiner — Catherine S Posthauer

(74) *Attorney, Agent, or Firm* — Sterne, Kessler, Goldstein & Fox P.L.L.C.

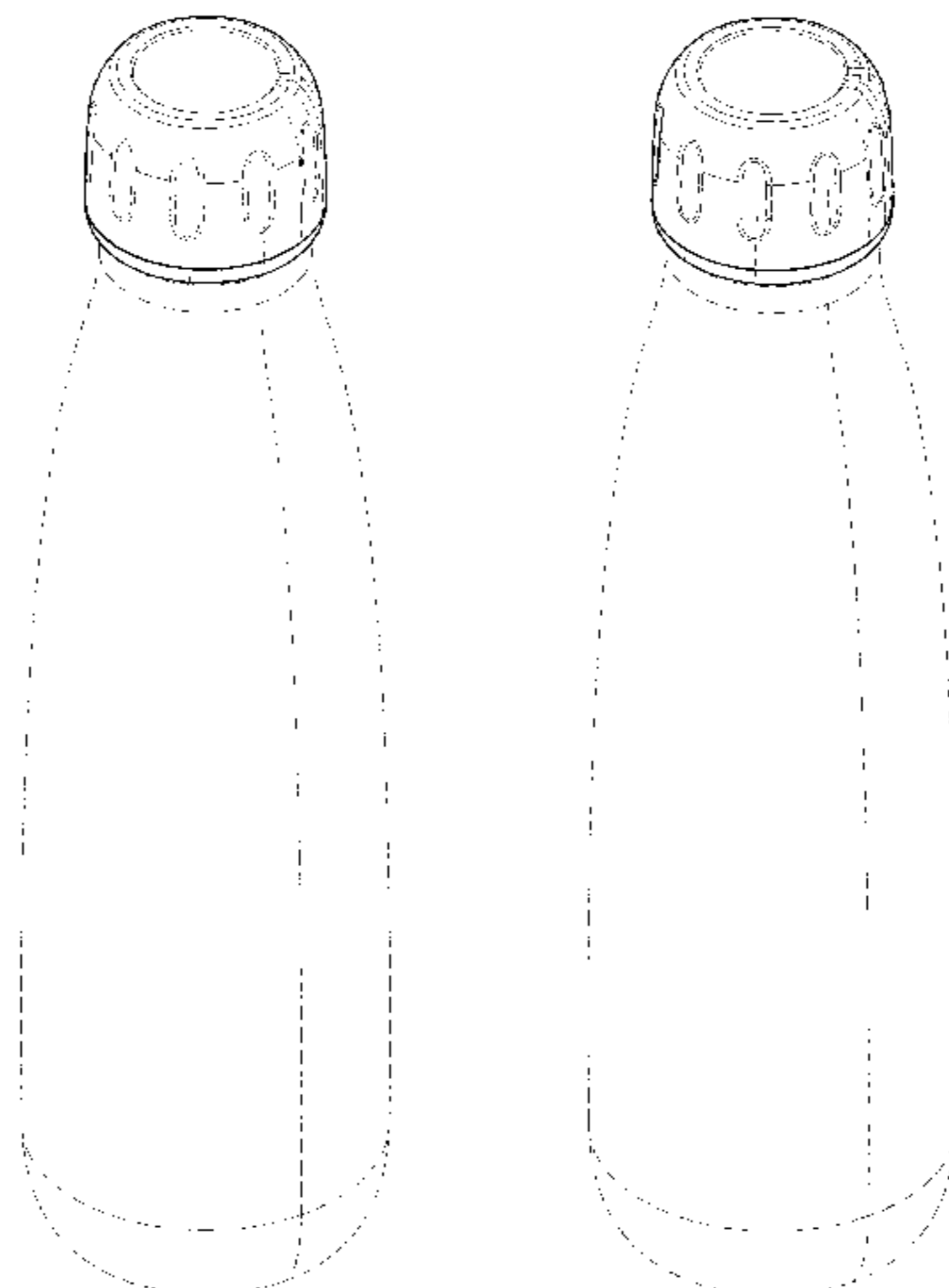
(57) **CLAIM**

The ornamental design for a lid, as shown and described.

DESCRIPTION

FIG. 1 is a top perspective view of a first embodiment of a lid, shown in a position of use with an exemplary bottle; FIG. 2 is a top perspective view thereof, with the exemplary bottle shown removed for clarity of details; FIG. 3 is a bottom perspective view thereof; FIG. 4 is a front view thereof, the rear view being a mirror image thereof; FIG. 5 is a left side view thereof, the right side view being a mirror image thereof; FIG. 6 is a top view thereof; FIG. 7 is a bottom view thereof; FIG. 8 is a top perspective view of a second embodiment of a lid, shown in a position of use with an exemplary bottle; FIG. 9 is a top perspective view thereof, with the exemplary bottle shown removed for clarity of details; FIG. 10 is a bottom perspective view thereof; FIG. 11 is a front view thereof, the rear view being a mirror image thereof; FIG. 12 is a left side view thereof, the right side being a mirror image thereof; FIG. 13 is a top view thereof; and, FIG. 14 is a bottom view thereof. The dot-dash broken lines represent the bounds of the claimed design and form no part thereof. The evenly broken lines represent environmental subject matter of an exemplary bottle as well as parts of the article, none of which form part of the claimed design.

1 Claim, 14 Drawing Sheets



(58) **Field of Classification Search**

USPC .. D7/396.2, 397, 398, 401.1, 509, 510, 511, D7/523, 525, 526, 527, 528, 529, 530, D7/533, 536, 538, 602, 608, 619.1, 900; D9/434, 435, 436, 437, 438, 440, 443, D9/446, 447, 448, 449, 452, 453, 454, D9/500, 502, 503, 504, 517, 529, 530, D9/538, 539, 540, 541, 544, 545, 547, D9/548, 552, 569, 686, 688, 690, 723, D9/724, 763, 722; D28/76, 78, 82; D24/121, 224; D23/206, 259, 260; D8/300

CPC .. B65D 43/06; B65D 43/0202; B65D 43/161; B65D 43/021; B65D 43/0212; B65D 43/0218; B65D 43/162; B65D 43/16; B65D 43/22; B65D 43/26; B65D 43/0208; B65D 47/37; B65D 47/265; B65D 47/06; B65D 47/247; B65D 47/283; B65D 47/08; B65D 47/065; B65D 2543/00046; B65D 2543/00092; B65D 2543/00231; B65D 2543/00842; B65D 39/00; B65D 39/0005; B65D 39/02; B65D 39/08; B65D 39/19; B65D 41/00; B65D 41/02; B65D 41/005; B65D 41/023; B65D 41/026; B65D 41/0414; B65D 41/0421; B65D 41/0428; B65D 41/0476; B65D 41/0485; B65D 41/0492; B65D 41/16; B65D 41/17; B65D 41/26; B65D 41/28; B65D 41/32; B65D 50/00; B65D 50/048; B65D 53/00; B65D 53/02; B65D 53/04; B65D 55/02; B65D 83/0805; B65D 21/0219; B65D 85/36; B65D 81/3283; B65D 2251/0021; B65D 2251/0081; B65D 2543/000231; B65D 2543/999657; B65D 2205/02; B65D 23/00; B65D 2501/00; B65D 2501/0009; B65D 1/00; B65D 1/02; B65D 1/0223; B65D 51/1694; B65D 41/04; A47G 19/02; A47G 19/2205; A47G 19/2222; A47G 19/2266; A47G 19/2272; A47G 19/2294; A47G 19/2273; A47G 19/2288; A47J 36/10; A47J 36/14; A47J 36/06; A47J 36/027; A47J 43/24; A01K 97/045

See application file for complete search history.

D703,537 S 4/2014 Vogel et al.
 8,777,032 B2 * 7/2014 Biesecker B65D 43/0212
 215/224

D710,696 S 8/2014 Kwon
 D736,358 S * 8/2015 Melo D23/262
 D743,741 S * 11/2015 Itzhaki D7/510
 D746,627 S 1/2016 Puigbo
 D751,385 S 3/2016 Rapparini
 D756,222 S 5/2016 Lopez et al.
 D787,939 S * 5/2017 Lam D9/503
 D789,148 S * 6/2017 Hornung D7/507
 D799,963 S 10/2017 Akiyama
 D808,220 S * 1/2018 Burns D7/510
 D808,226 S * 1/2018 Bradley D7/608
 D813,681 S * 3/2018 Burns D9/549
 D817,095 S * 5/2018 Kauss D7/511
 D817,760 S * 5/2018 Petrosino D9/452
 D821,150 S * 6/2018 Liao D7/510
 D830,774 S * 10/2018 Jacobsen D7/511
 D831,425 S * 10/2018 Best D7/510
 D831,426 S * 10/2018 Best D7/511
 D832,708 S * 11/2018 Roser D9/504
 D836,389 S * 12/2018 Abante D7/392.1
 D839,673 S * 2/2019 Meyers D7/510
 10,196,185 B2 * 2/2019 Zoppas B65D 1/0246
 D842,030 S * 3/2019 Meyers D7/396.2
 D842,700 S * 3/2019 Blomberg D9/500
 2011/0006060 A1 * 1/2011 Lin B65D 43/26
 220/201
 2017/0127859 A1 * 5/2017 Hornung A45F 3/18
 2018/0162608 A1 * 6/2018 Kim B65D 47/246

OTHER PUBLICATIONS

Kingso Water Bottle: Announced Feb. 11, 2017 [online]. Site visited [Jan. 5, 2018]. Available from Internet URL: https://www.amazon.com/KINGSO-Insulation-Stainless-Sweating-Perfect/product-reviews/B01M16OV4N/ref=cm_cr_getr_d_paging_btm_108?ie=UTF8&reviewerType=all_reviews&pageNumber=108.*

Best Coffee Thermos: Announced Mar. 12, 2016 [online]. Site Visited Jan. 5, 2017. Available from Internet URL: https://www.amazon.com/Best-Stainless-Steel-Coffee-Thermos/product-reviews/B06XFPYTFR/ref=cm_cr_getr_d_paging_btm_40?ie=UTF8.*

Svelte Stainless Steel Insulated Water Bottle: Site Visited [Jun. 13, 2019]. Available from Internet URL: <https://www.customink.com/products/styles/16-oz-svelte-stainless-steel-insulated-water-bottle/328300>.*

Oasis Insulated Stainless Steel Bottle: Announced Aug. 9, 2017 [online]. Site Visited [Jun. 13, 2019]. Available from Internet URL: <https://www.hellogreen.com.au/products/oasis-insulated-stainless-steel-drink-bottle-500ml>.*

<http://swellbottle.com> (archived Jul. 28, 2011), accessed at web.archive.org on Aug. 2, 2018, 2pgs.

United States Trademark 4,366,242 registered Jul. 9, 2013 with drawings filed in the trademark application, 7pgs.

KR Office Action dated Mar. 2, 2018 as received in Application No. 30-2017-16765.

Thermos Vacuum Insulated 32 Ounce: Announced Apr. 6, 2007 [online]. Site Visited Jan. 5, 2018. Available from Internet URL: https://www.amazon.com/Thermos-Insulated-Compact-Stainless-Beverage/product-reviews/B00JJBF3E0/ref=cm_cr_getr_d_paging_btm_163?ie=UTF8&reviewerType=all_reviews&pageNumber=163.

Kingso Water Bottle: Announced Feb. 11, 2017 [online]. Site visited [Jan. 5, 2018]. Available from Internet URL: https://www.amazon.com/KINGSO-Insulation-Stainless-Sweating-Perfect/product-reviews/B01M16OV4N/ref=cm_cr_getr_d_paging_btm_108?ie=UTF8&reviewerType=all_reviews&pageNumber=108.

Best Coffee Thermos: Announced Mar. 12, 2016 [online]. Site Visited Jan. 5, 2017. Available from Internet URL: https://www.amazon.com/Best-Stainless-Steel-Coffee-Thermos/product-reviews/B06XFPYTFR/ref=cm_cr_getr_d_paging_btm_40?ie=UTF8&reviewerType=all_reviews&pageNumber=40.

Ex Parte Quayle Action dated Jan. 10, 2018 in U.S. Appl. No. 29/580,622.

(56) **References Cited**

U.S. PATENT DOCUMENTS

D313,754 S 1/1991 Pomroy
 D374,401 S 10/1996 Behnen
 D390,466 S 2/1998 Mao
 D396,639 S * 8/1998 Pedersen-Rask D9/454
 D417,847 S 12/1999 Rush et al.
 D476,893 S 7/2003 Pinnavaia
 D477,225 S 7/2003 Pinnavaia
 D488,675 S * 4/2004 Moore D7/608
 D515,920 S * 2/2006 Groh D9/448
 D538,165 S * 3/2007 Rittman D9/452
 D563,785 S 3/2008 Maki et al.
 D611,814 S 3/2010 Marotti et al.
 D625,192 S * 10/2010 Kooser D9/452
 D630,474 S * 1/2011 Gilbert D7/608
 D641,257 S * 7/2011 Thiebaut D9/454
 D658,449 S * 5/2012 Ying D7/608
 D660,700 S 5/2012 MacNeill et al.
 D661,945 S 6/2012 Eyal
 D688,946 S 9/2013 Pirincci
 D702,131 S * 4/2014 Handy D9/691

(56)

References Cited

OTHER PUBLICATIONS

Office Action dated Oct. 6, 2017 in Japanese Application No.
2017-7715.

* cited by examiner

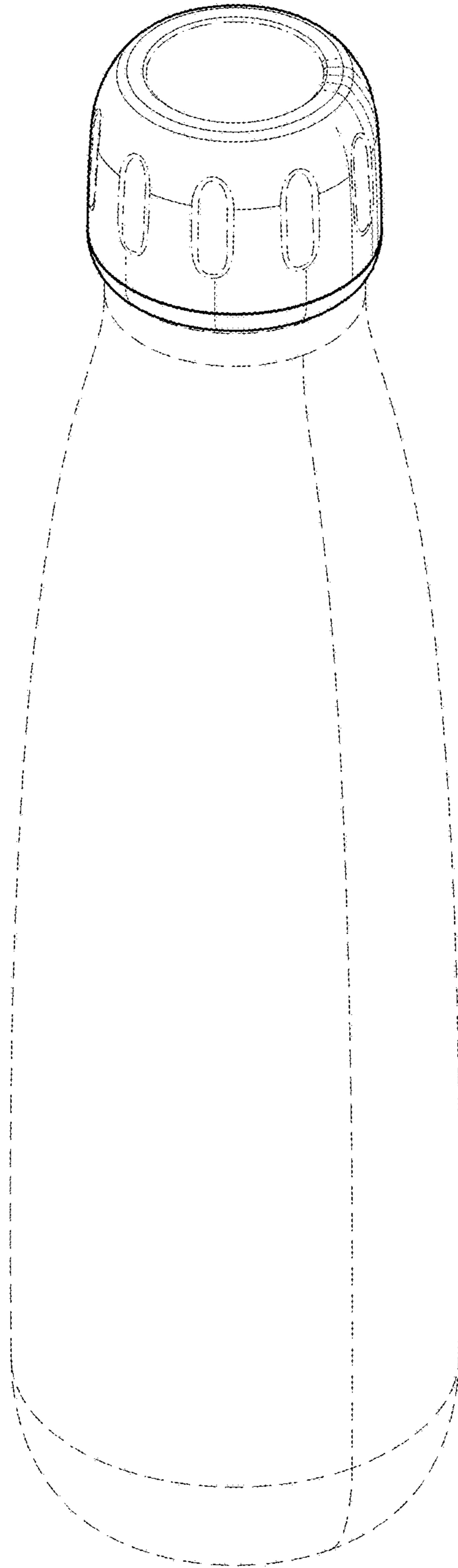


FIG. 1

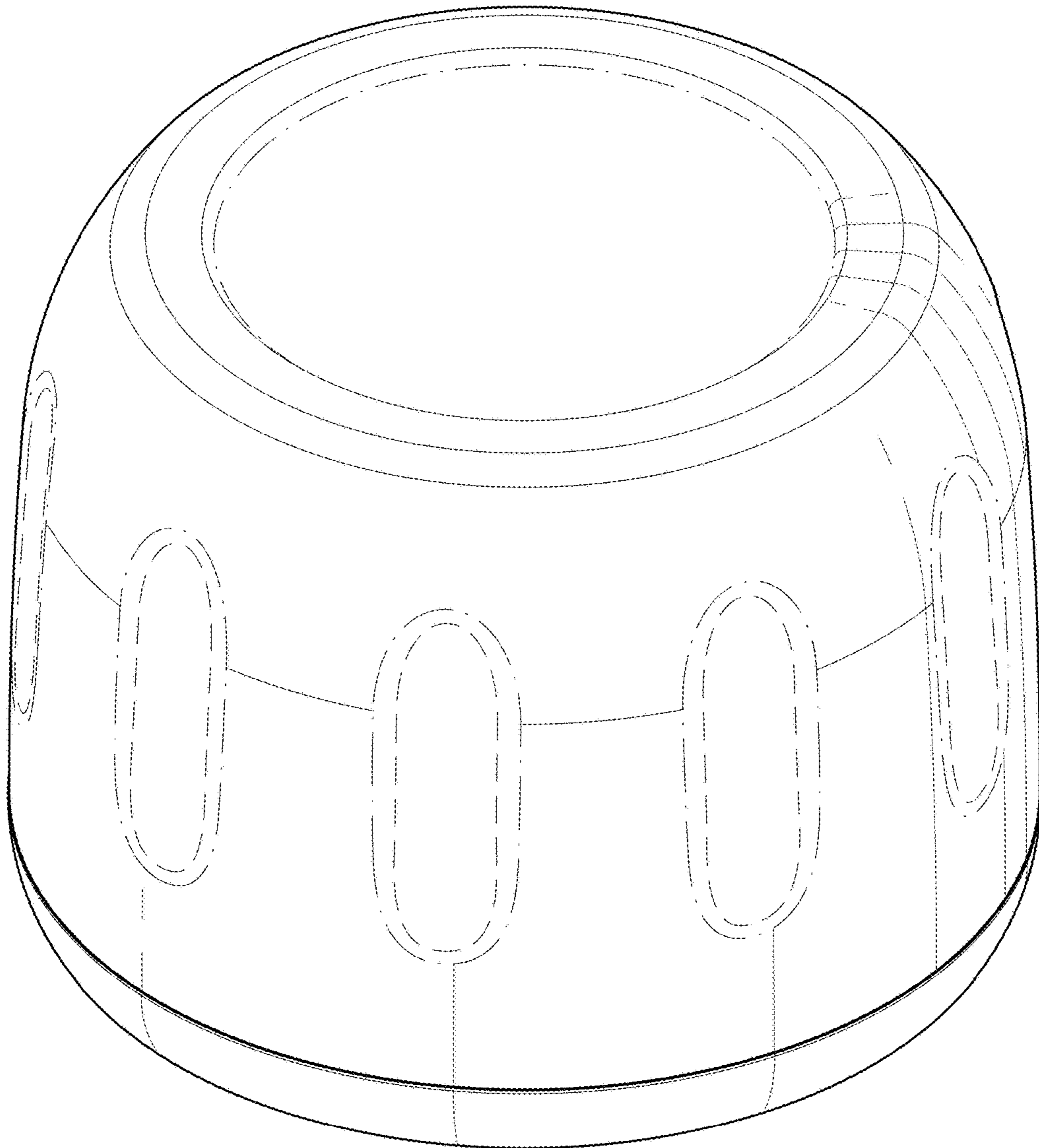


FIG. 2

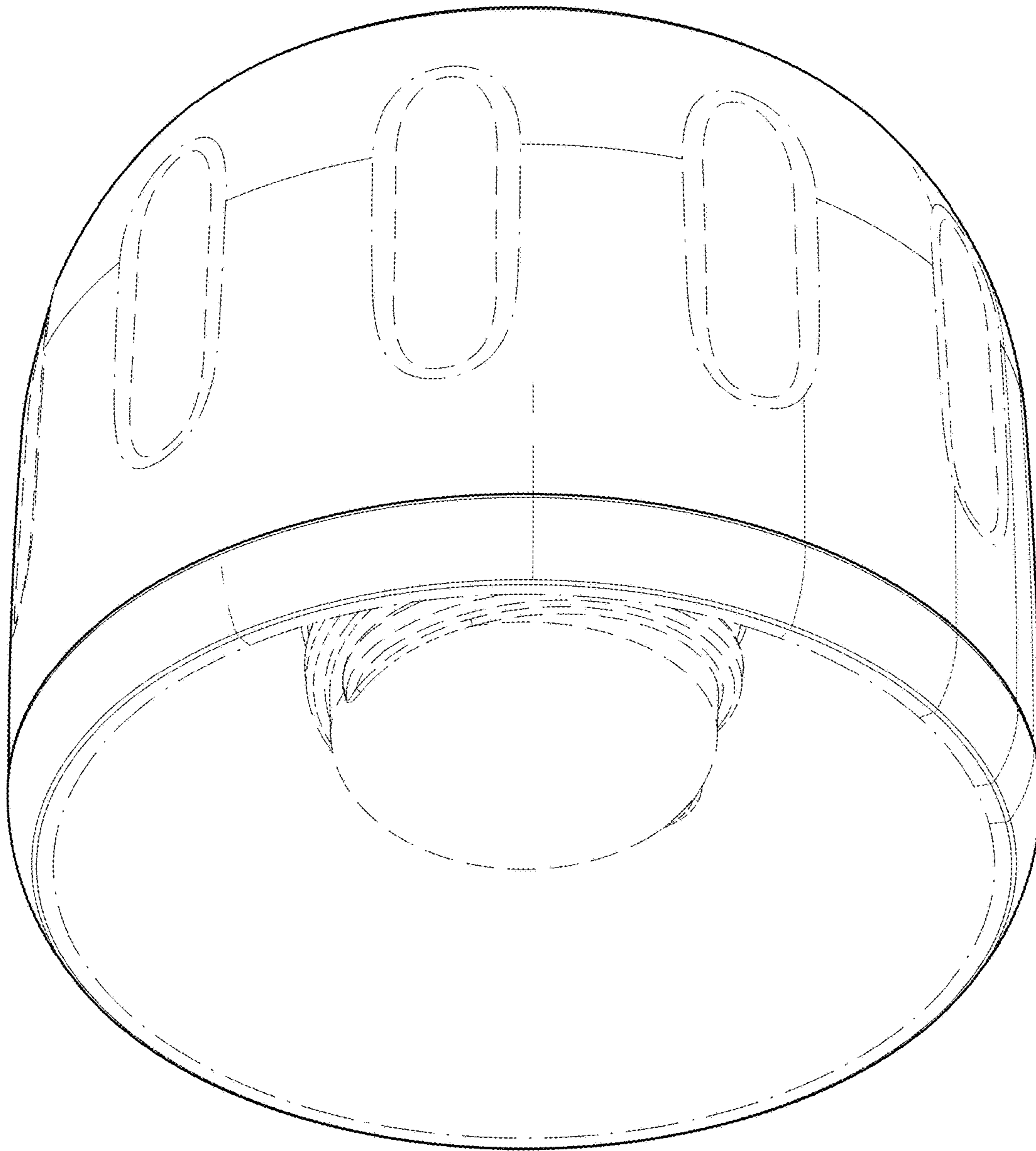


FIG. 3

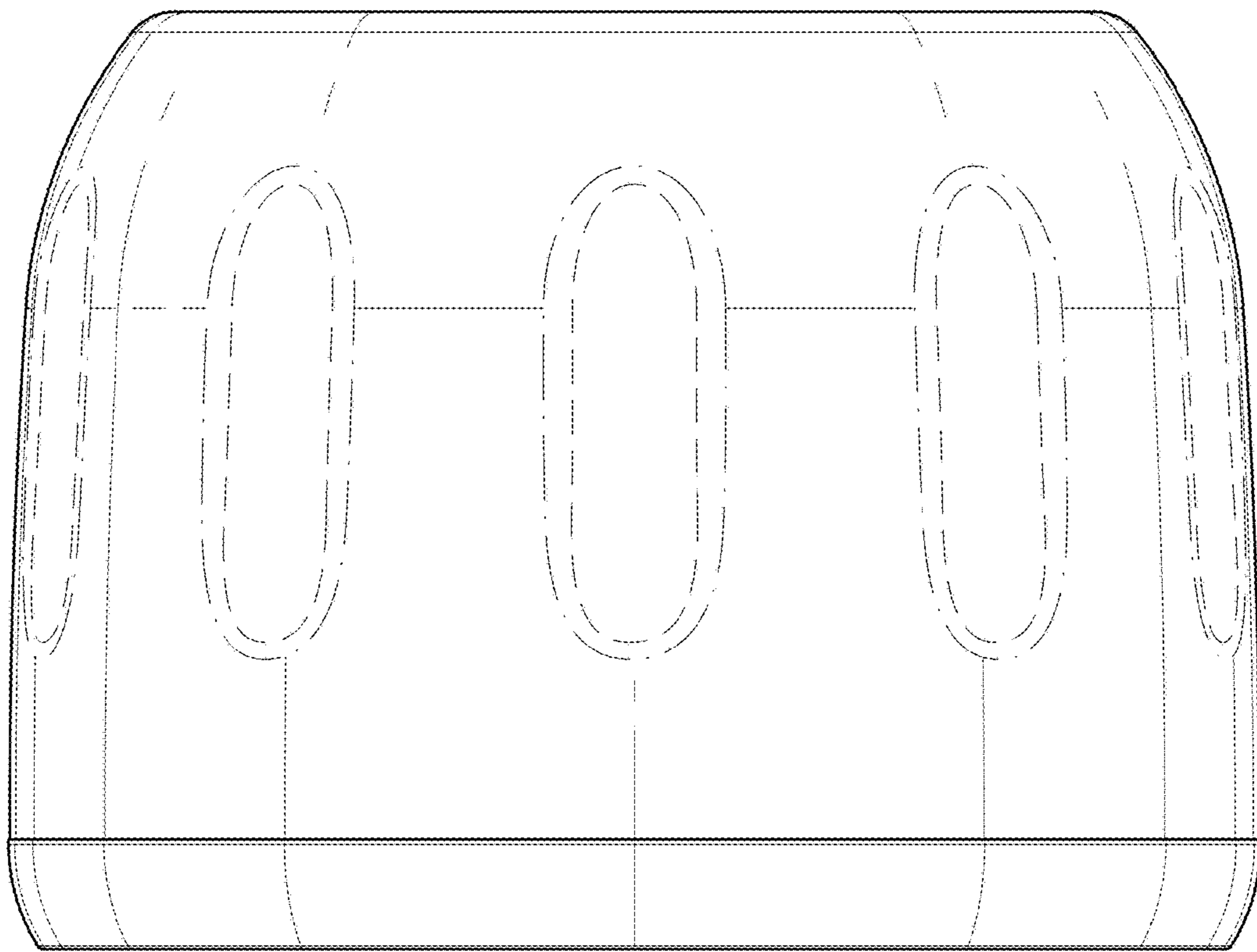


FIG. 4

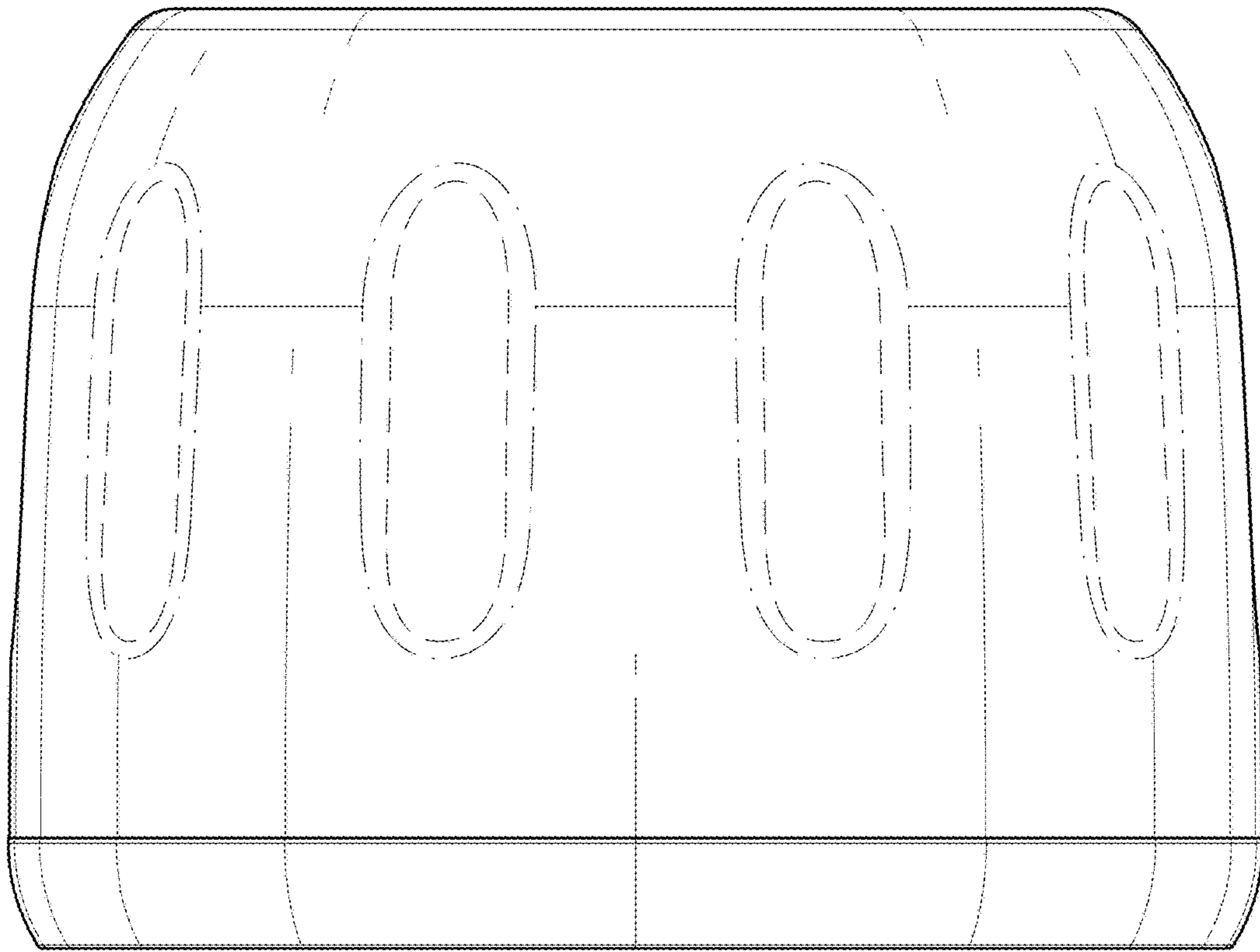


FIG. 5

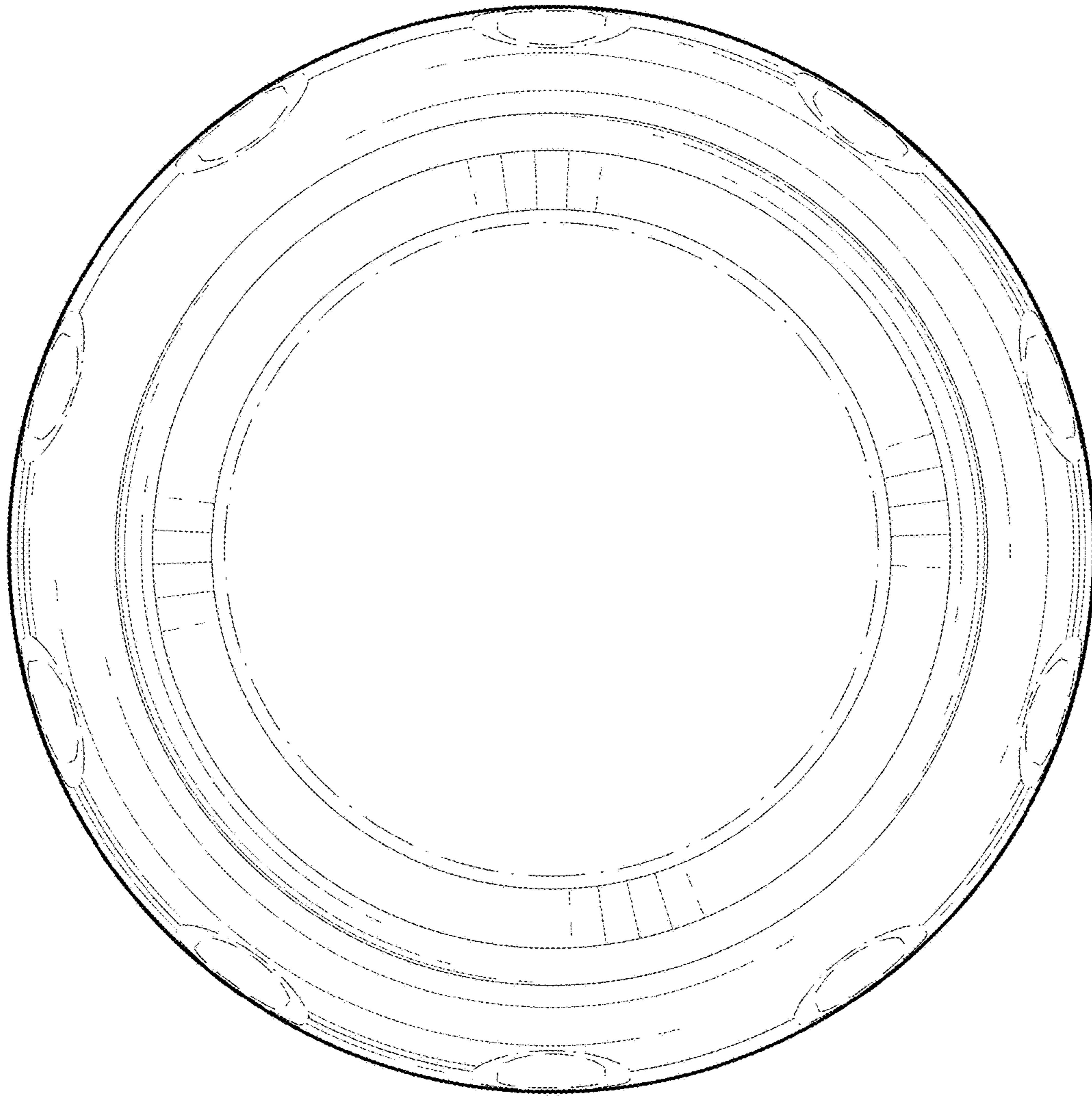


FIG. 6

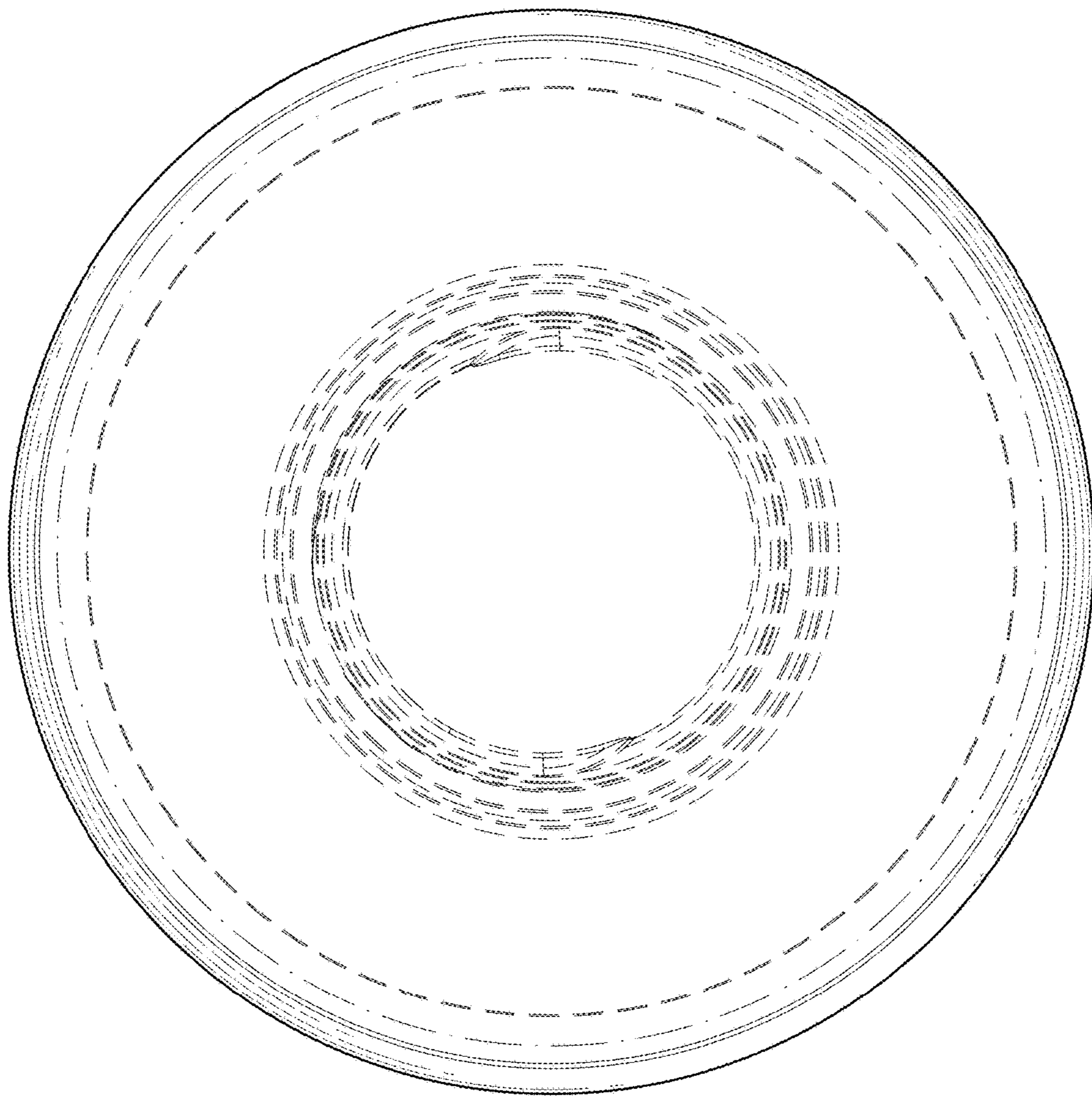


FIG. 7

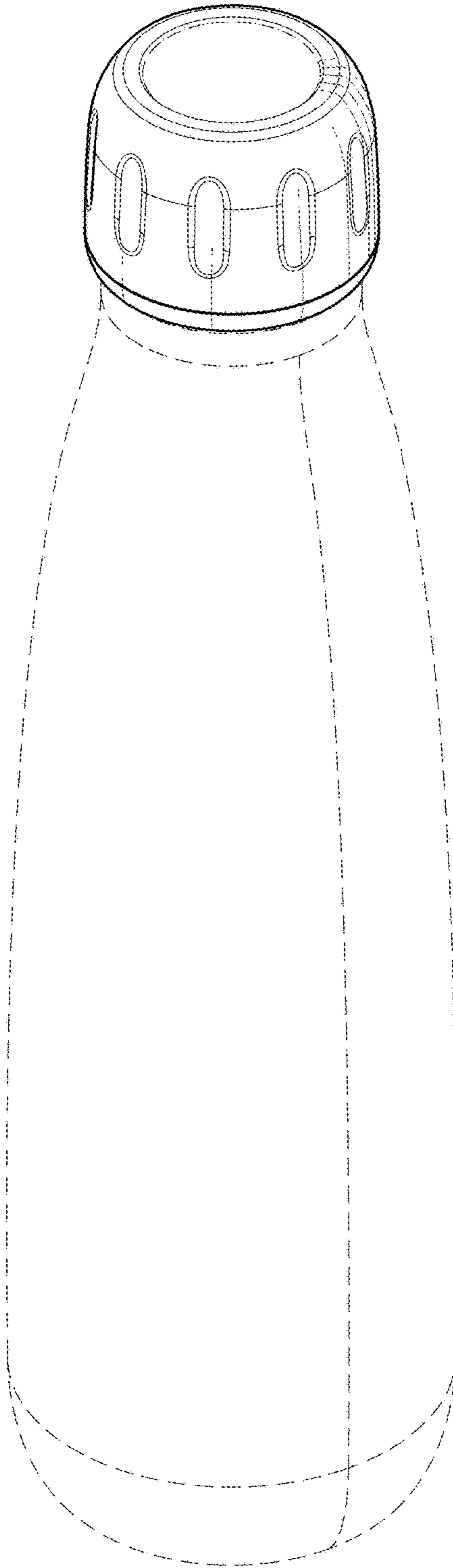


FIG. 8

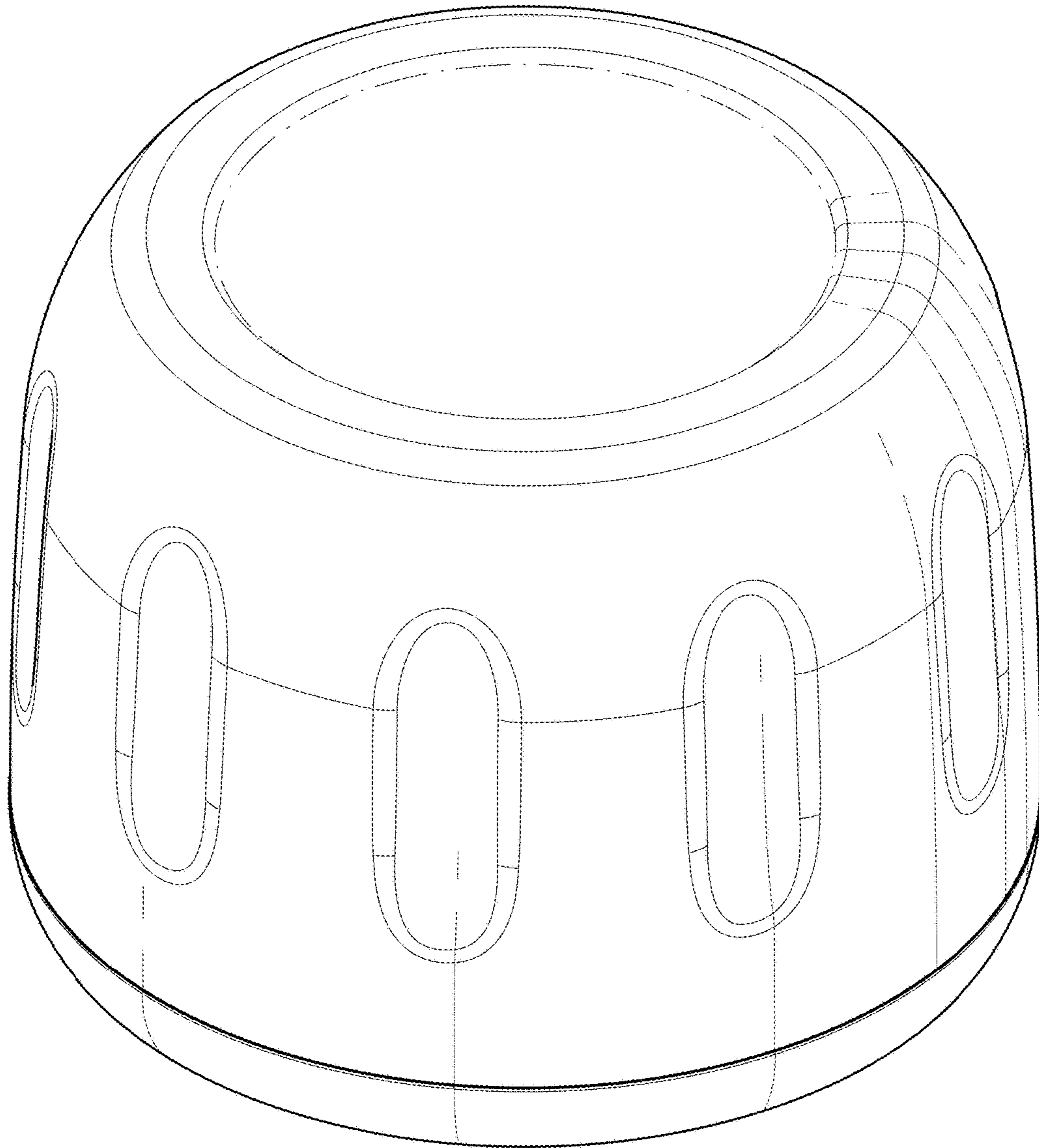


FIG. 9

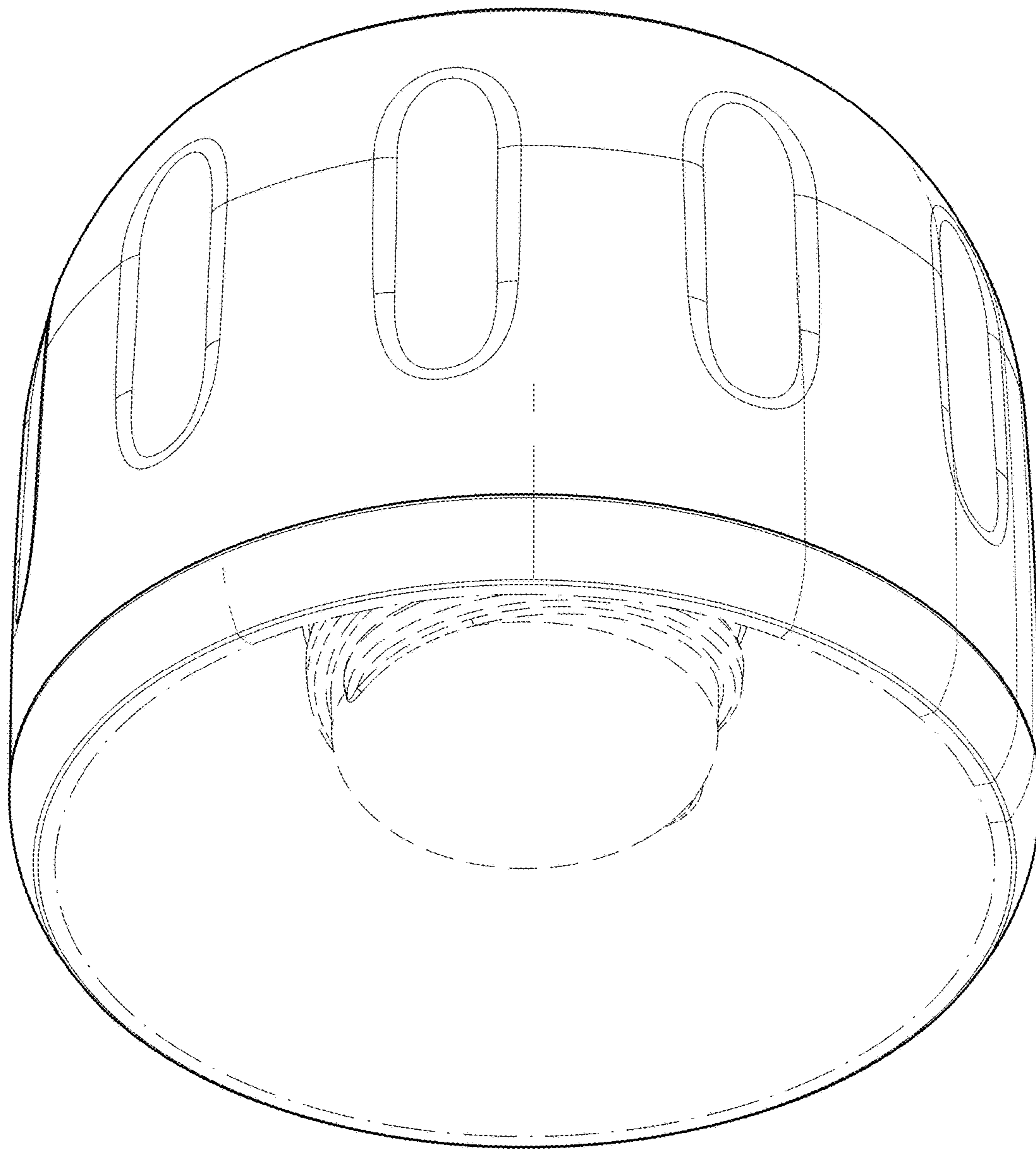


FIG. 10

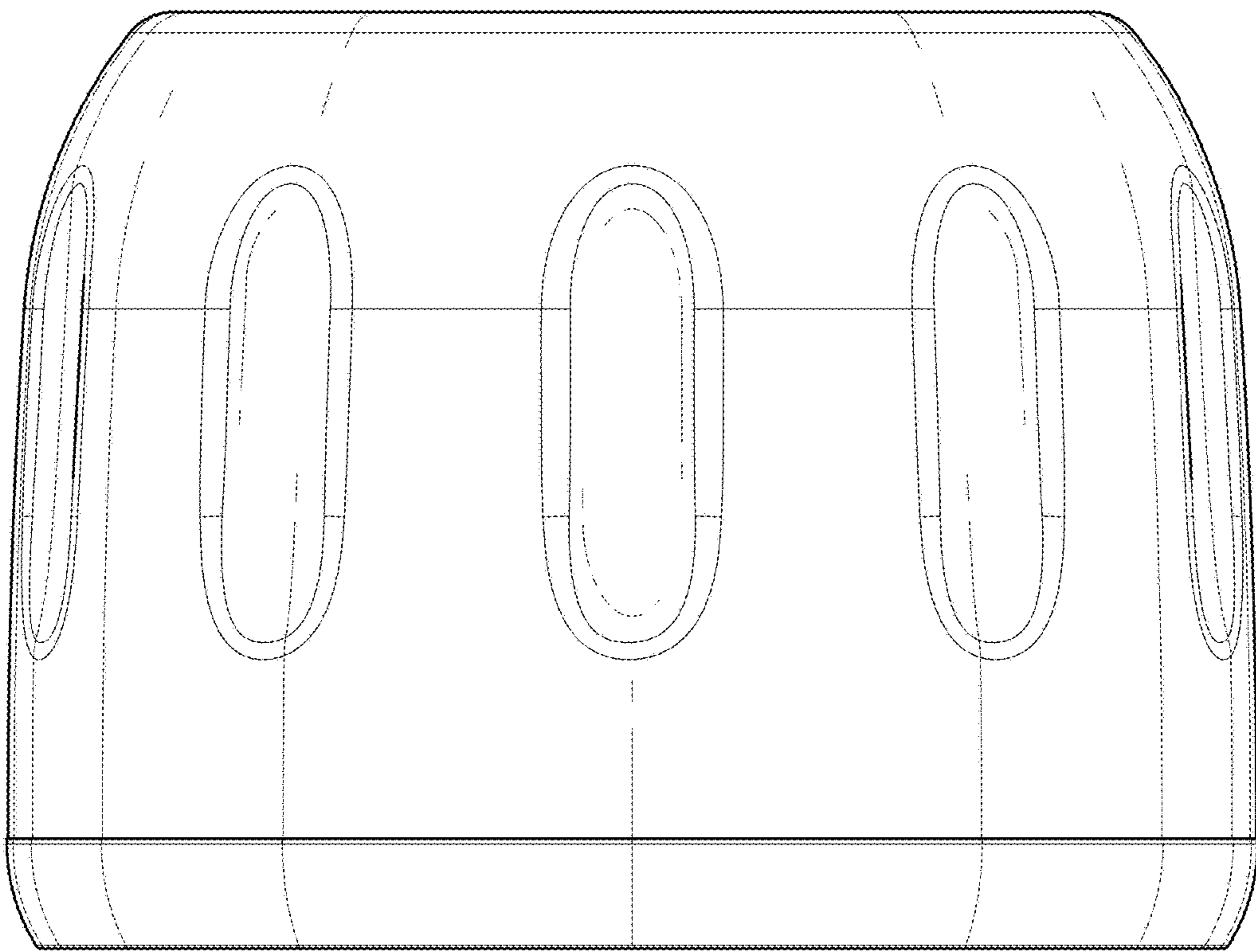


FIG. 11

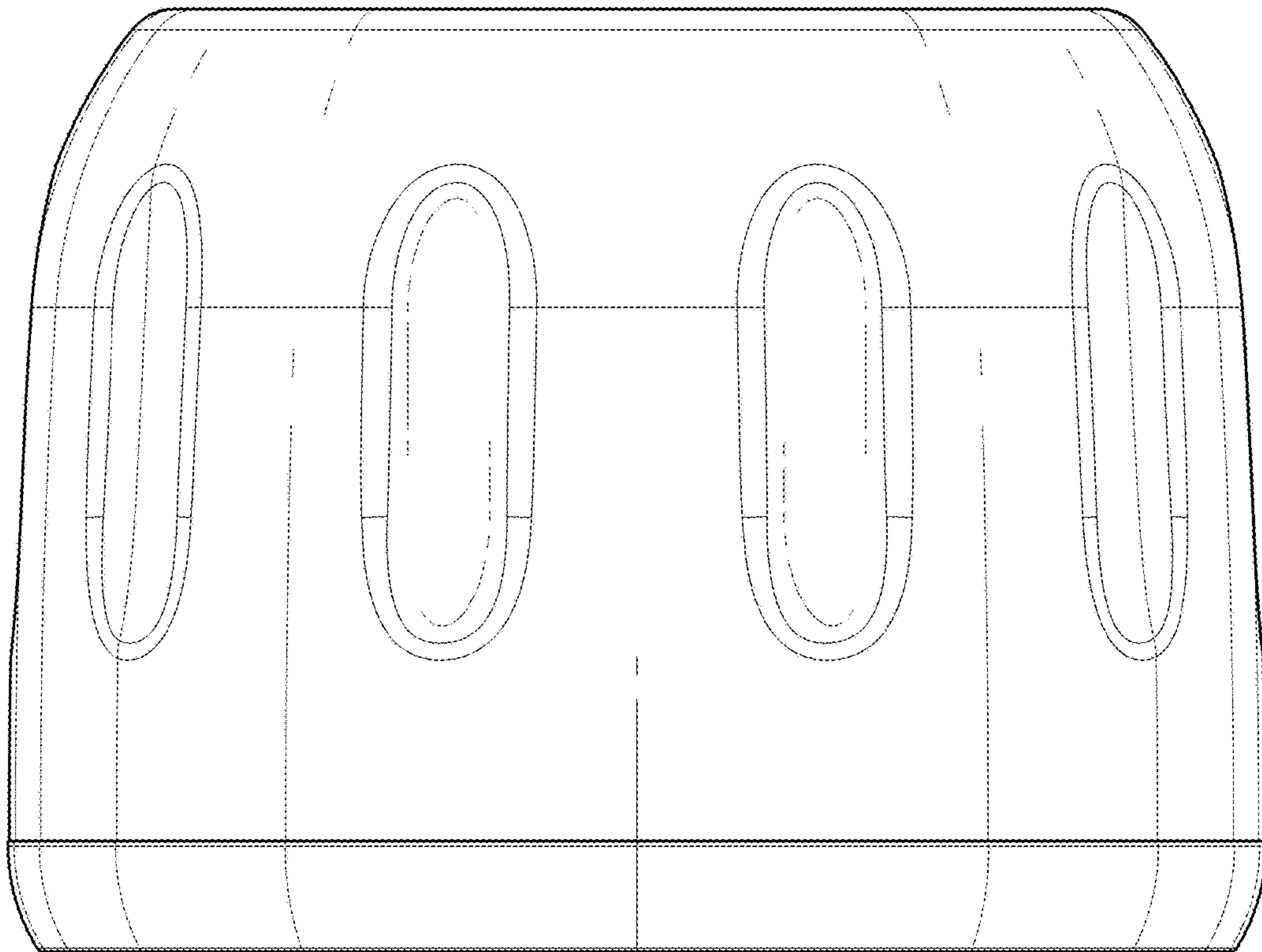


FIG. 12

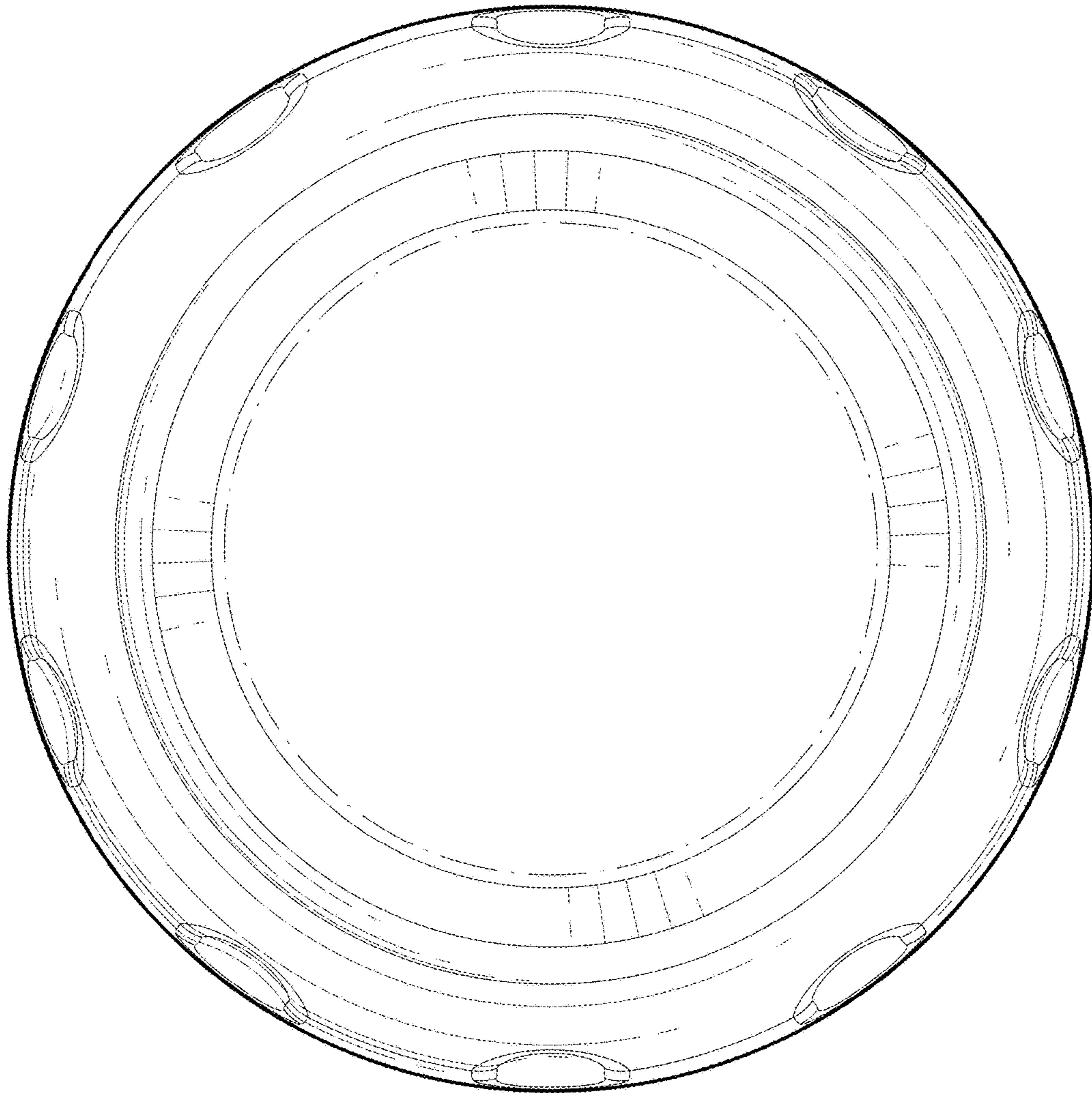


FIG. 13

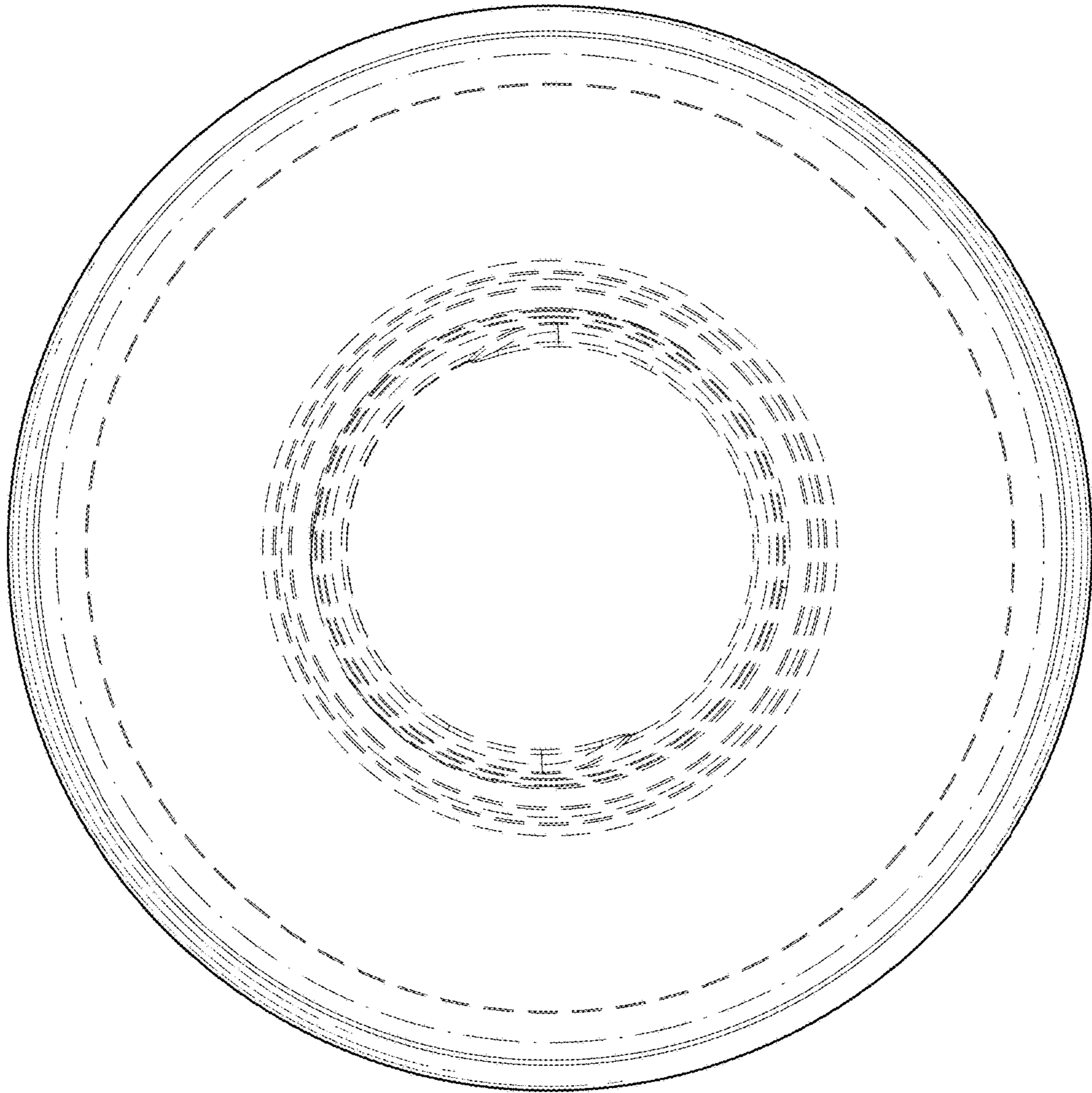


FIG. 14