



US00D867059S

(12) **United States Design Patent**
Viitala

(10) **Patent No.:** **US D867,059 S**

(45) **Date of Patent:** **** Nov. 19, 2019**

(54) **CAP**

(71) Applicant: **Eetu Jalmari Viitala**, Mayry (FI)

(72) Inventor: **Eetu Jalmari Viitala**, Mayry (FI)

(**) Term: **15 Years**

(21) Appl. No.: **29/646,748**

(22) Filed: **May 7, 2018**

(51) **LOC (12) Cl.** **07-99**

(52) **U.S. Cl.**
USPC **D7/392.1; D7/392**

(58) **Field of Classification Search**
USPC **D7/392, 392.1; D9/452, 453, 454, 435, D9/447, 449**

CPC **A47G 21/18; A61J 7/0038; B65D 2517/0049**

See application file for complete search history.

(56) **References Cited**

U.S. PATENT DOCUMENTS

D58,571 S *	8/1921	Hyatt	D9/453
D78,805 S *	6/1929	Burke	D9/453
D100,387 S *	7/1936	Perry	D8/DIG. 2
D408,223 S *	4/1999	Henry	D30/129
D416,582 S *	11/1999	Dunshee	D10/72
D520,874 S *	5/2006	Gross	D9/452
D525,532 S *	7/2006	Glass	D9/559
D543,787 S *	6/2007	Wasserman	D7/565
D578,879 S *	10/2008	Friedland	D7/545
D674,019 S *	1/2013	Kostick	D19/69
D679,148 S *	4/2013	Schwartz	D7/629
D737,410 S *	8/2015	Wyne	D23/259
D743,264 S *	11/2015	Mariani	D9/435
D755,633 S *	5/2016	Baughman	D9/452
D756,786 S *	5/2016	Bedoya	D9/502
D772,055 S *	11/2016	O'Dowd	D9/430

D795,398 S *	8/2017	Decaria	D23/260
D813,026 S *	3/2018	Wright	D8/397
D824,721 S *	8/2018	Hu	D7/392.1
D842,105 S *	3/2019	Willemstyn	D9/436
2011/0056947 A1*	3/2011	White	B65D 1/10 220/289

* cited by examiner

Primary Examiner — Karen S Acker

Assistant Examiner — Steven B Reinholdt, Jr.

(74) *Attorney, Agent, or Firm* — Smith, Gambrell & Russell, LLP

(57) **CLAIM**

The ornamental design for a cap, as shown and described.

DESCRIPTION

FIG. 1 shows a perspective view of a cap showing my new design;

FIG. 2 shows a front elevation view of the cap shown in FIG. 1;

FIG. 3 shows a back elevation view of the cap shown in FIG. 1;

FIG. 4 shows a left side elevation view of the cap shown in FIG. 1;

FIG. 5 shows a right side view of the cap shown in FIG. 1;

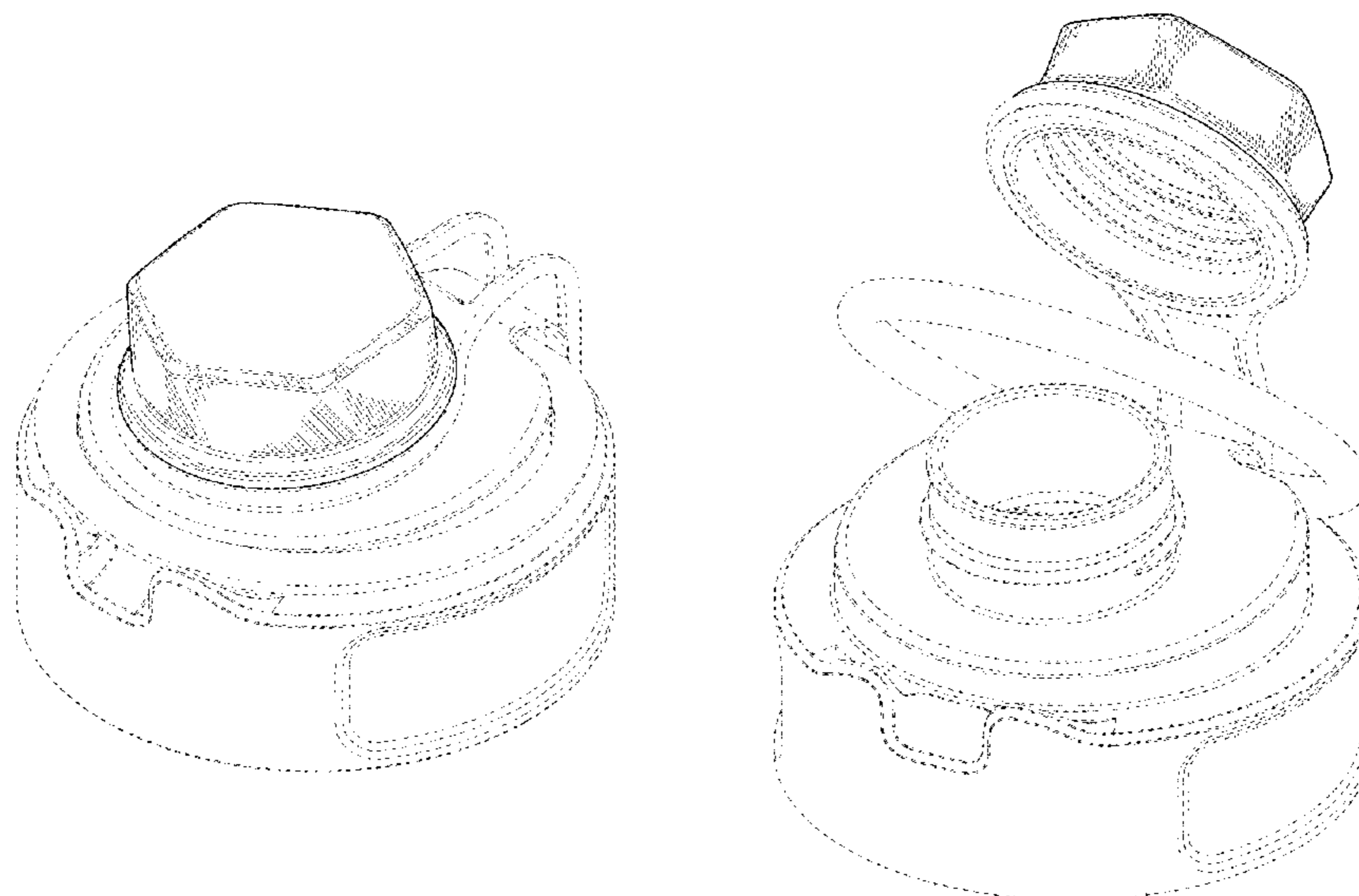
FIG. 6 shows a top plan view of the cap shown in FIG. 1;

FIG. 7 shows a bottom plan view of the cap shown in FIG. 1; and,

FIG. 8 shows a perspective view of the cap shown in FIG. 1 in a shifted position.

Features shown in broken lines illustrate portions of the cap that form no part of the claimed design.

1 Claim, 8 Drawing Sheets



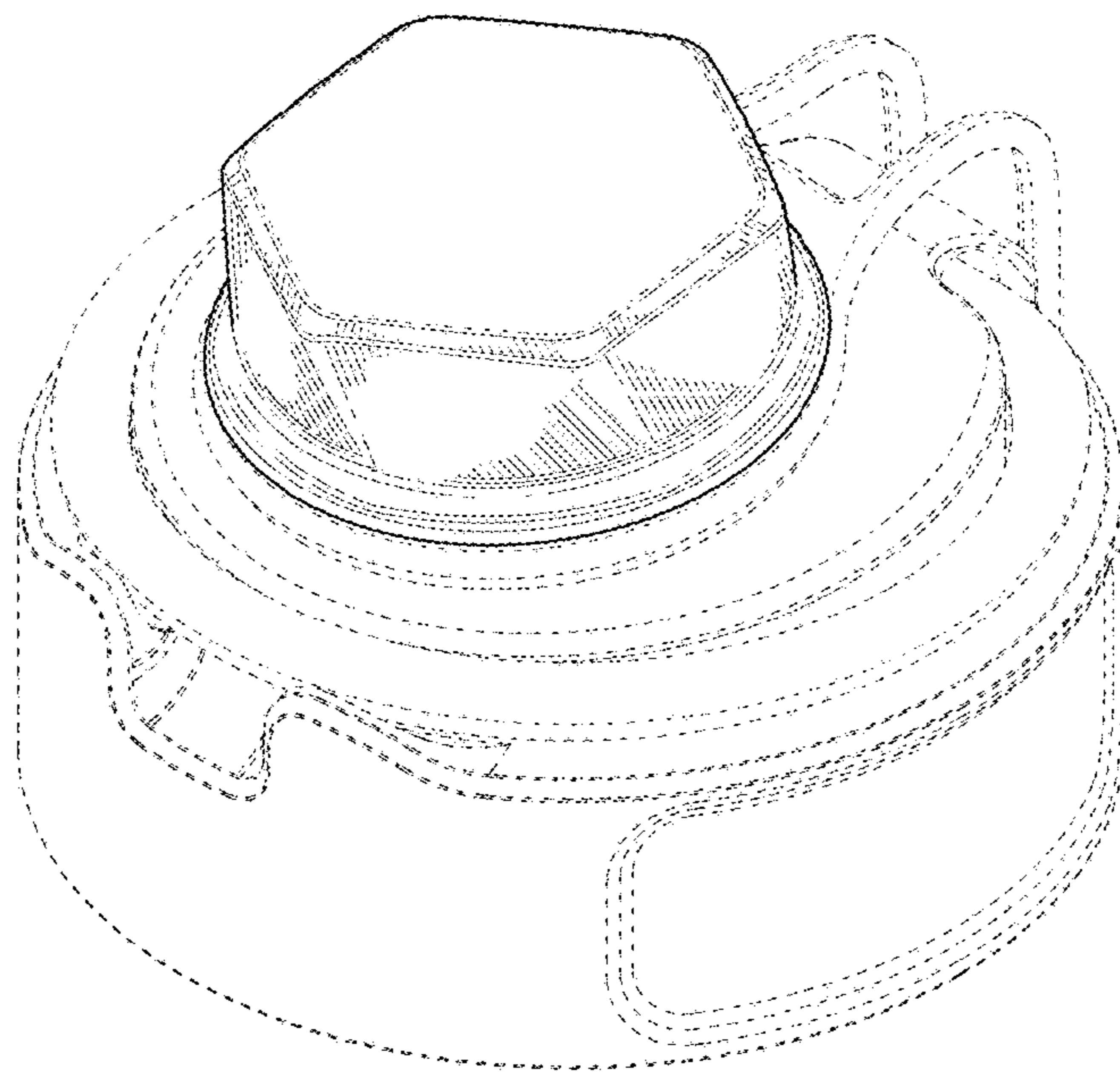


FIG. 1

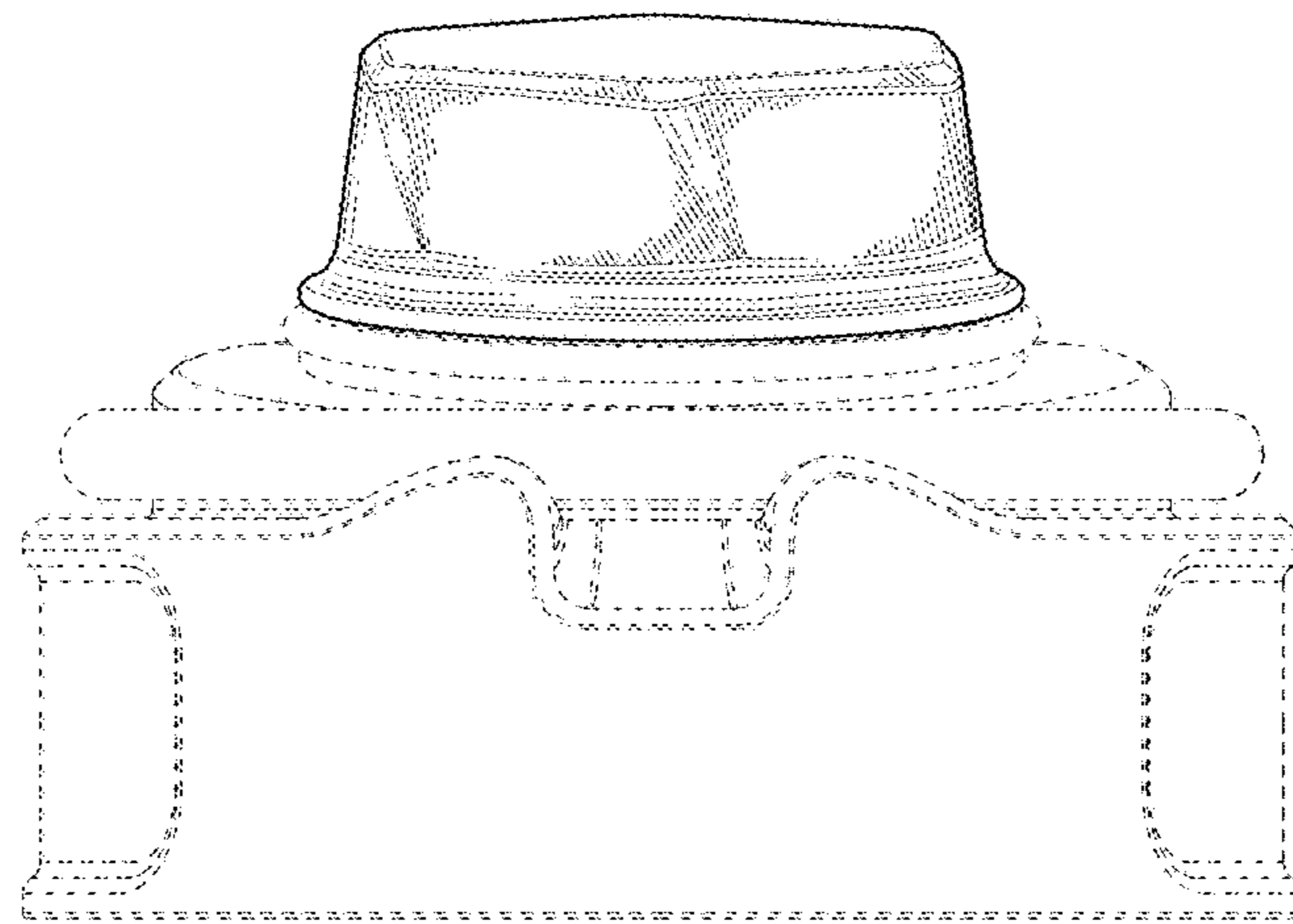


FIG. 2

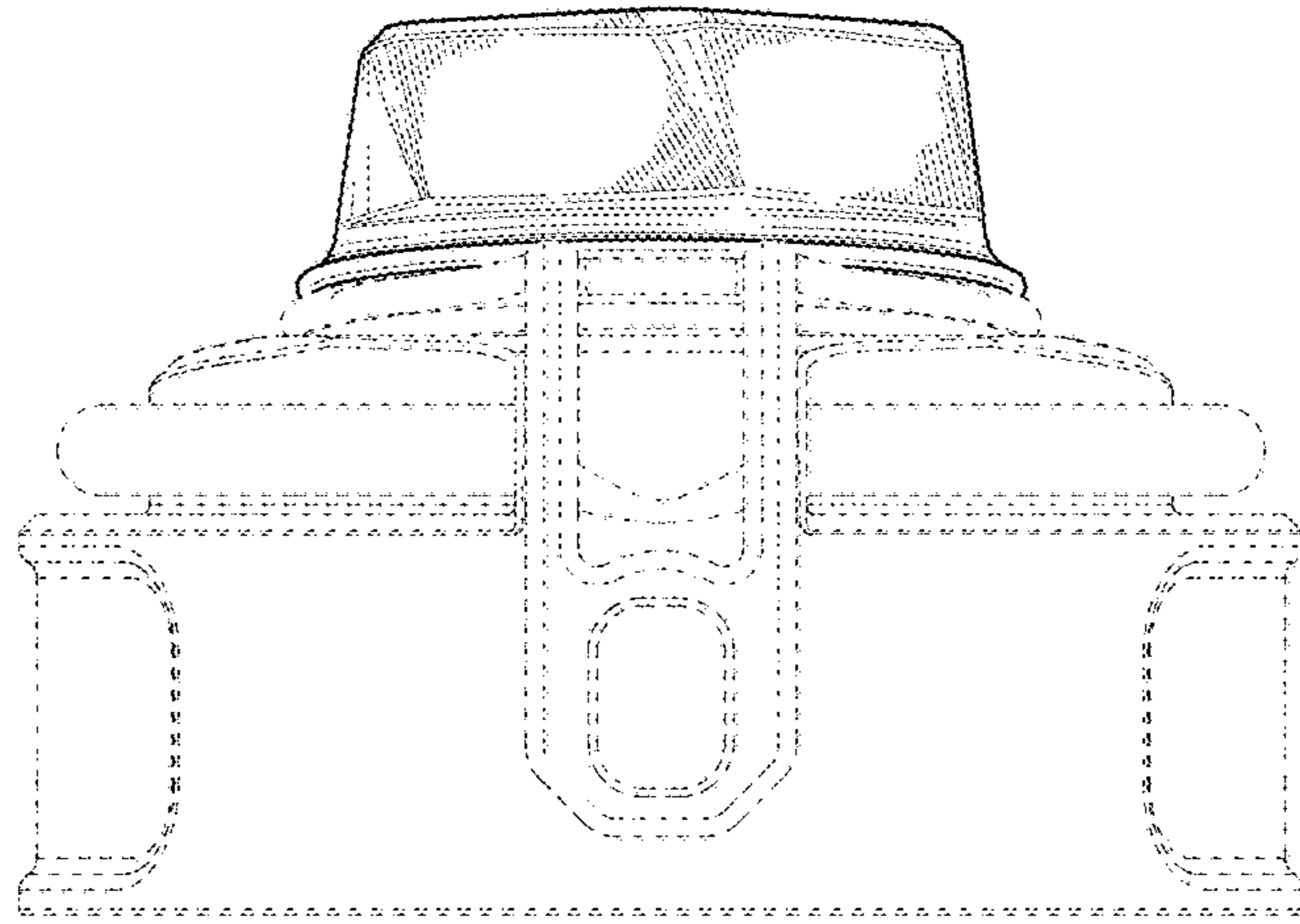


FIG. 3

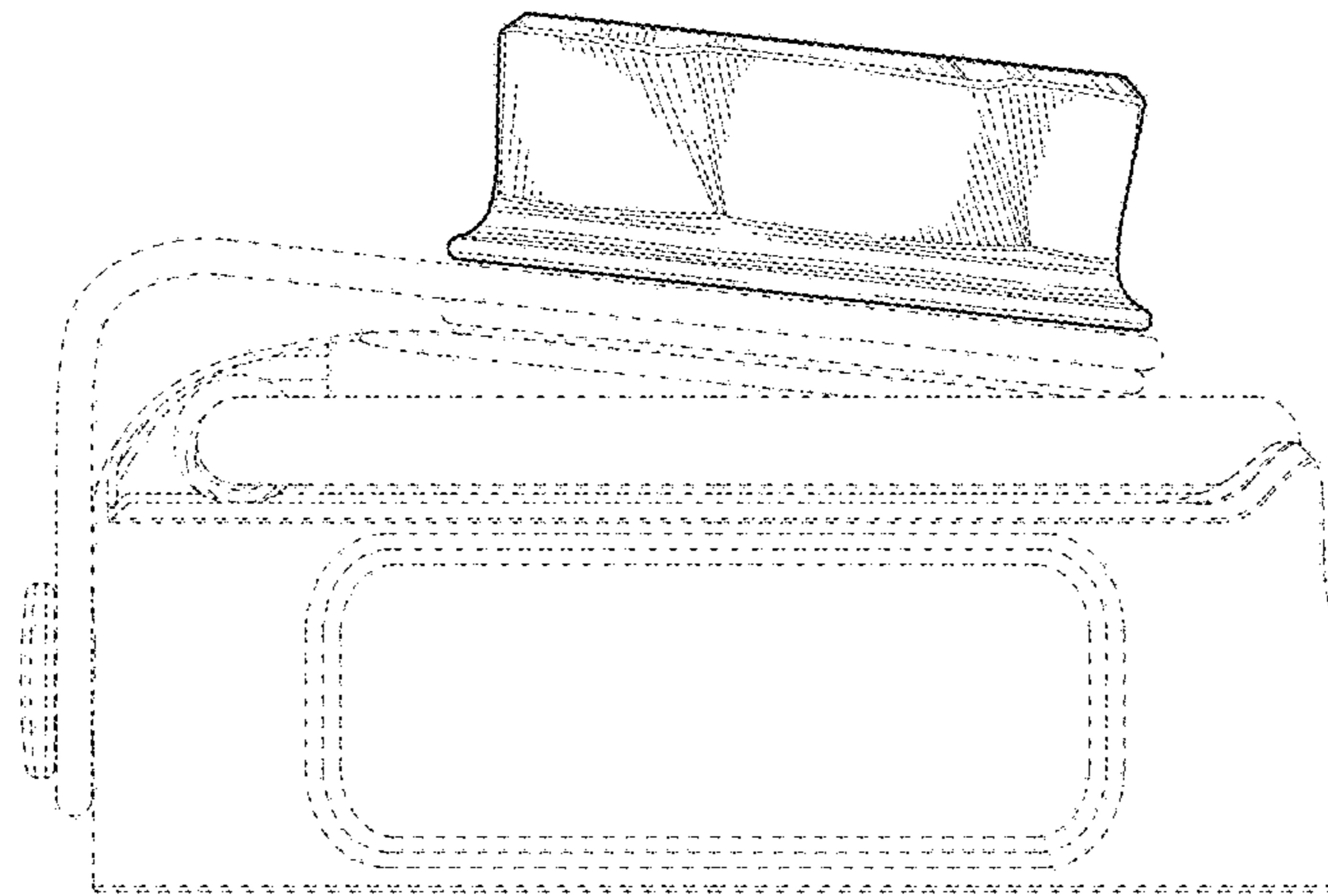


FIG. 4

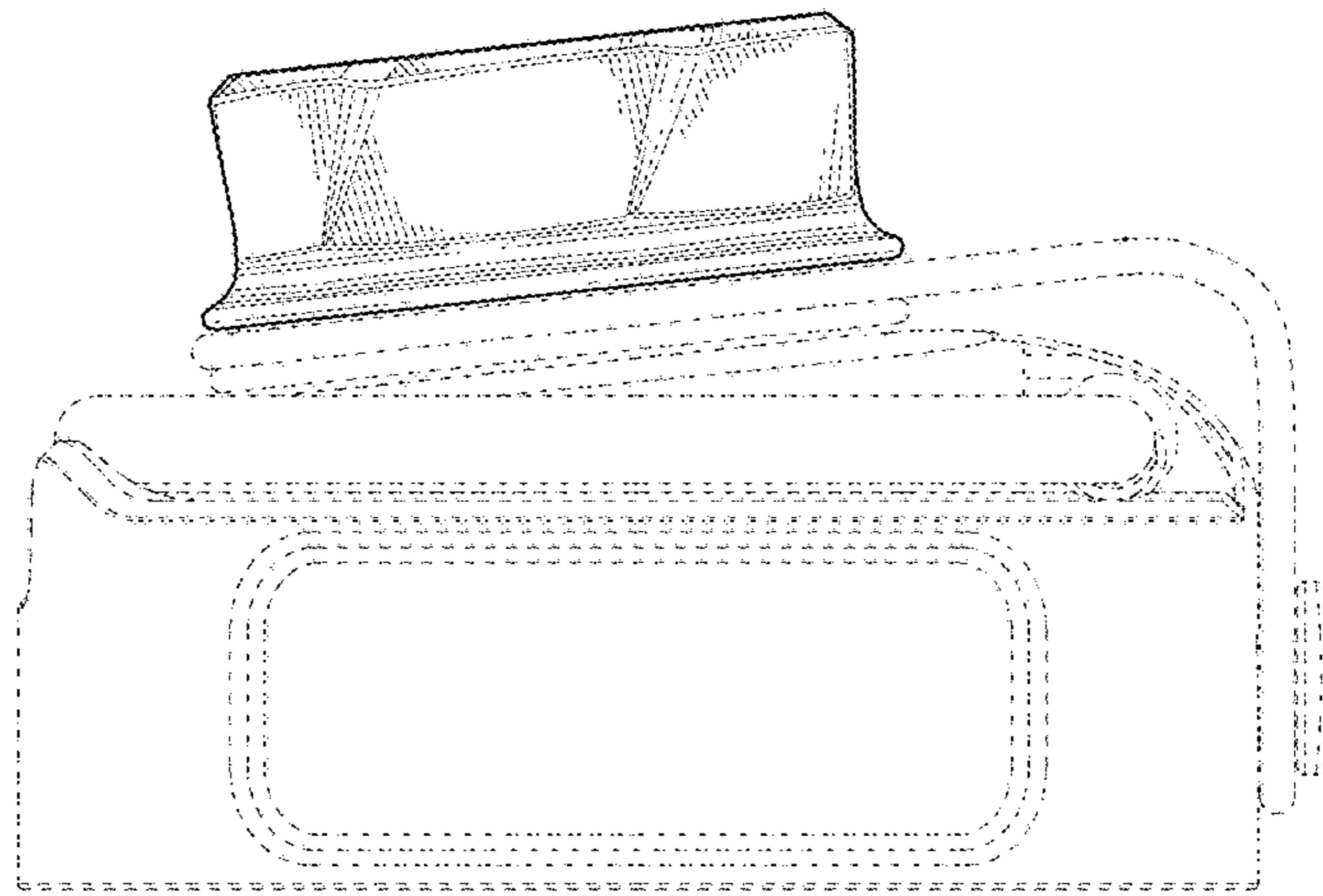


FIG. 5

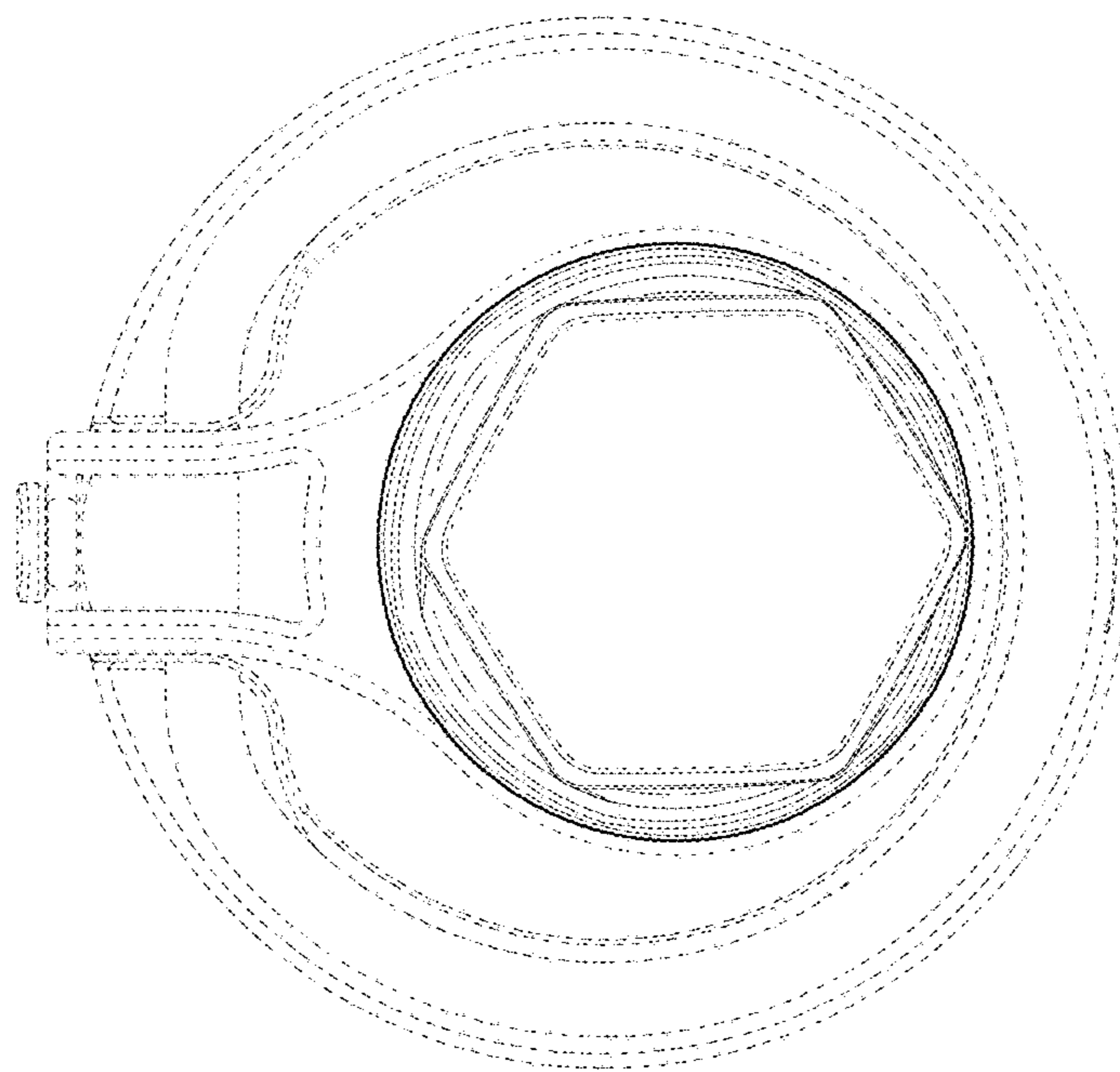


FIG. 6

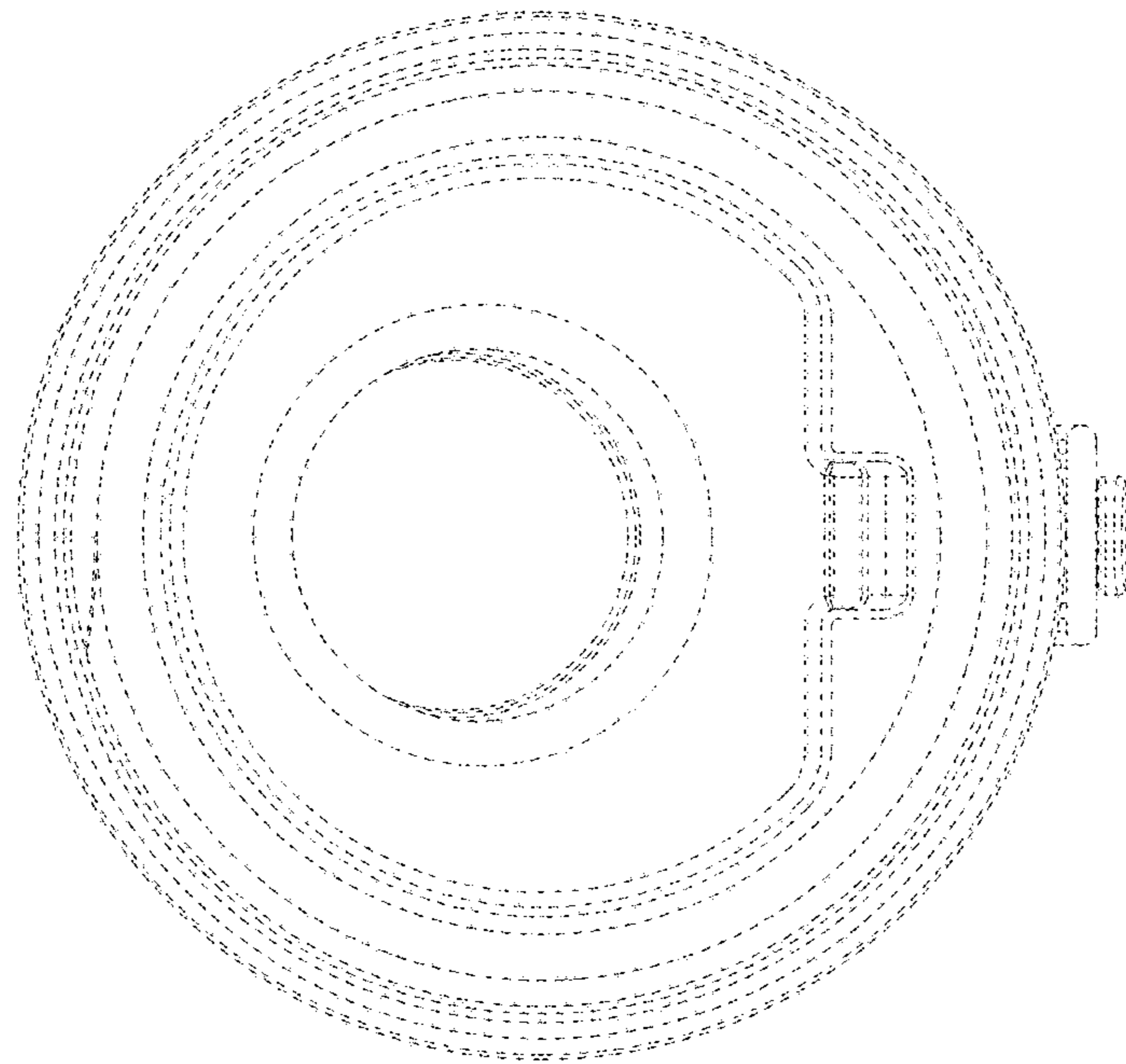


FIG. 7

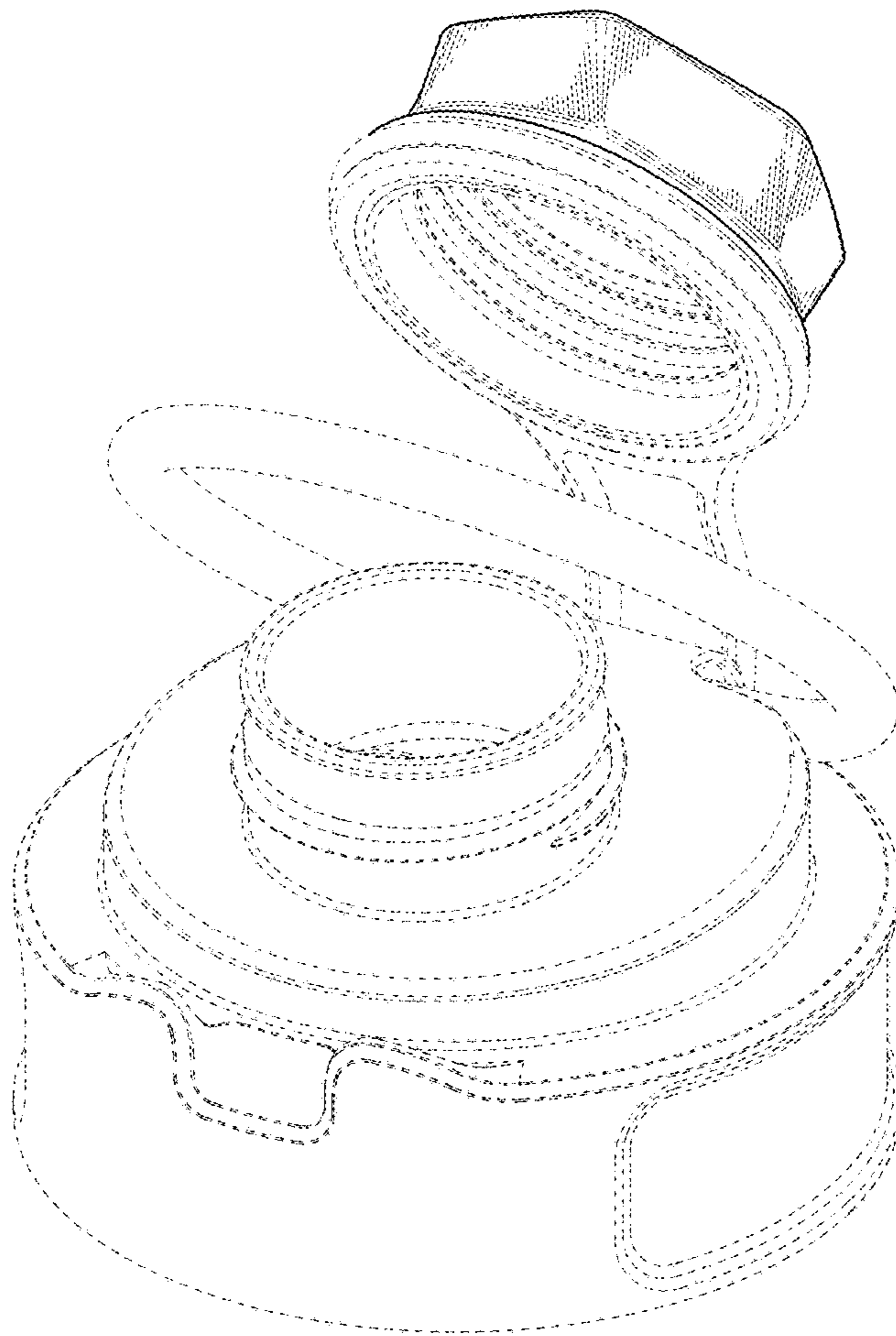


FIG. 8