



US00D867058S

(12) **United States Design Patent**  
**Spivey et al.**

(10) **Patent No.: US D867,058 S**

(45) **Date of Patent: \*\* Nov. 19, 2019**

(54) **TUMBLER LID**

(71) Applicant: **Base Brands, LLC**, Atlanta, GA (US)

(72) Inventors: **Patrick Spivey**, Atlanta, GA (US);  
**Kenneth Krefle**, Atlanta, GA (US)

(73) Assignee: **Base Brands, LLC**, Atlanta, GA (US)

(\*\*) Term: **15 Years**

(21) Appl. No.: **29/634,758**

(22) Filed: **Jan. 24, 2018**

(51) **LOC (12) Cl.** ..... **07-99**

(52) **U.S. Cl.**

USPC ..... **D7/392.1**; D7/392

(58) **Field of Classification Search**

USPC ..... D7/300, 300.2, 301, 392, 392.1, 424,  
D7/430, 435, 443, 447, 449, 453, 454,  
D7/510, 511, 538, 540, 542, 543, 544,  
D7/545, 629, 635, 780; D23/207;  
D27/101

CPC ..... A47G 21/18; A61J 7/0038; B65D  
2517/0049

See application file for complete search history.

(56) **References Cited**

**U.S. PATENT DOCUMENTS**

D309,554 S *	7/1990	Meisner	.....	D7/391
5,692,616 A *	12/1997	Baker	.....	B65D 43/0212 206/217
D390,461 S *	2/1998	Piselli	.....	D9/435
D419,371 S *	1/2000	Haley	.....	D7/392.1
6,192,025 B1 *	2/2001	Chen	.....	G11B 7/24097 369/283
D478,469 S *	8/2003	Roth	.....	F25D 3/08 D7/392.1
D525,825 S *	8/2006	Heiberg	.....	D7/392
D677,523 S *	3/2013	Blckert	.....	D7/392.1
D684,813 S *	6/2013	Eyal	.....	D7/392
D697,366 S *	1/2014	Kristinik	.....	D7/392.1

D700,513 S *	3/2014	Carsrud	.....	D9/447
D705,593 S *	5/2014	Stamper	.....	D7/392.1
8,833,584 B2 *	9/2014	Groubert	.....	B65D 47/0828 220/212
D784,808 S *	4/2017	Berroa Garcia	.....	D9/434
D787,888 S *	5/2017	Joseph	.....	D7/510
D793,231 S *	8/2017	Langfelder	.....	D9/449
D795,007 S *	8/2017	Plassmeyer	.....	D7/392.1
D803,683 S *	11/2017	Coey	.....	D9/436
D827,364 S *	9/2018	Rummel	.....	D7/392.1
D846,344 S *	4/2019	Lullie	.....	D7/392.1
2008/0173647 A1 *	7/2008	Ochoa Laburu	.....	B65D 47/08 220/282

(Continued)

*Primary Examiner* — Karen S Acker

*Assistant Examiner* — Steven B Reinholdt, Jr.

(74) *Attorney, Agent, or Firm* — Park, Vaughan, Fleming & Dowler LLP

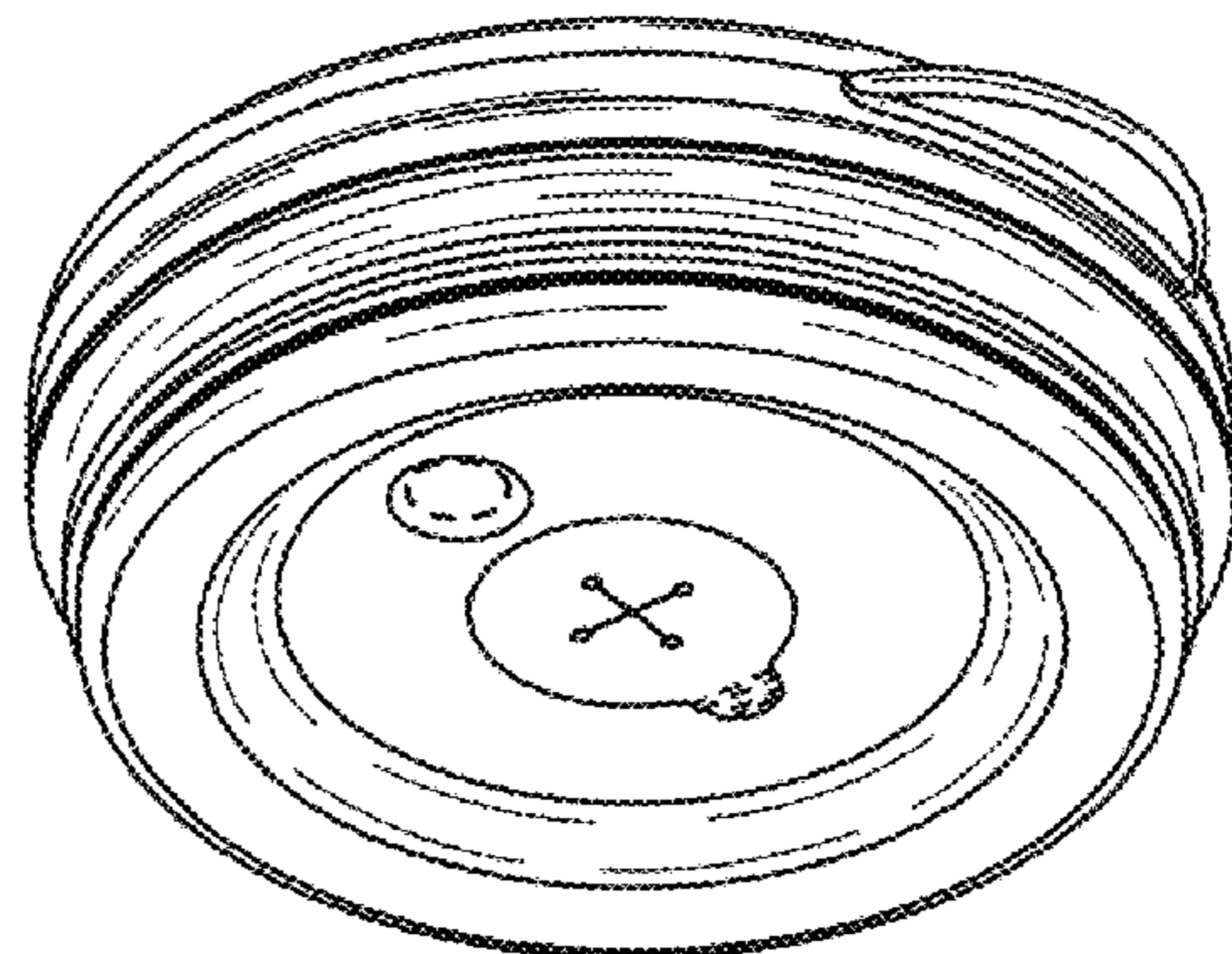
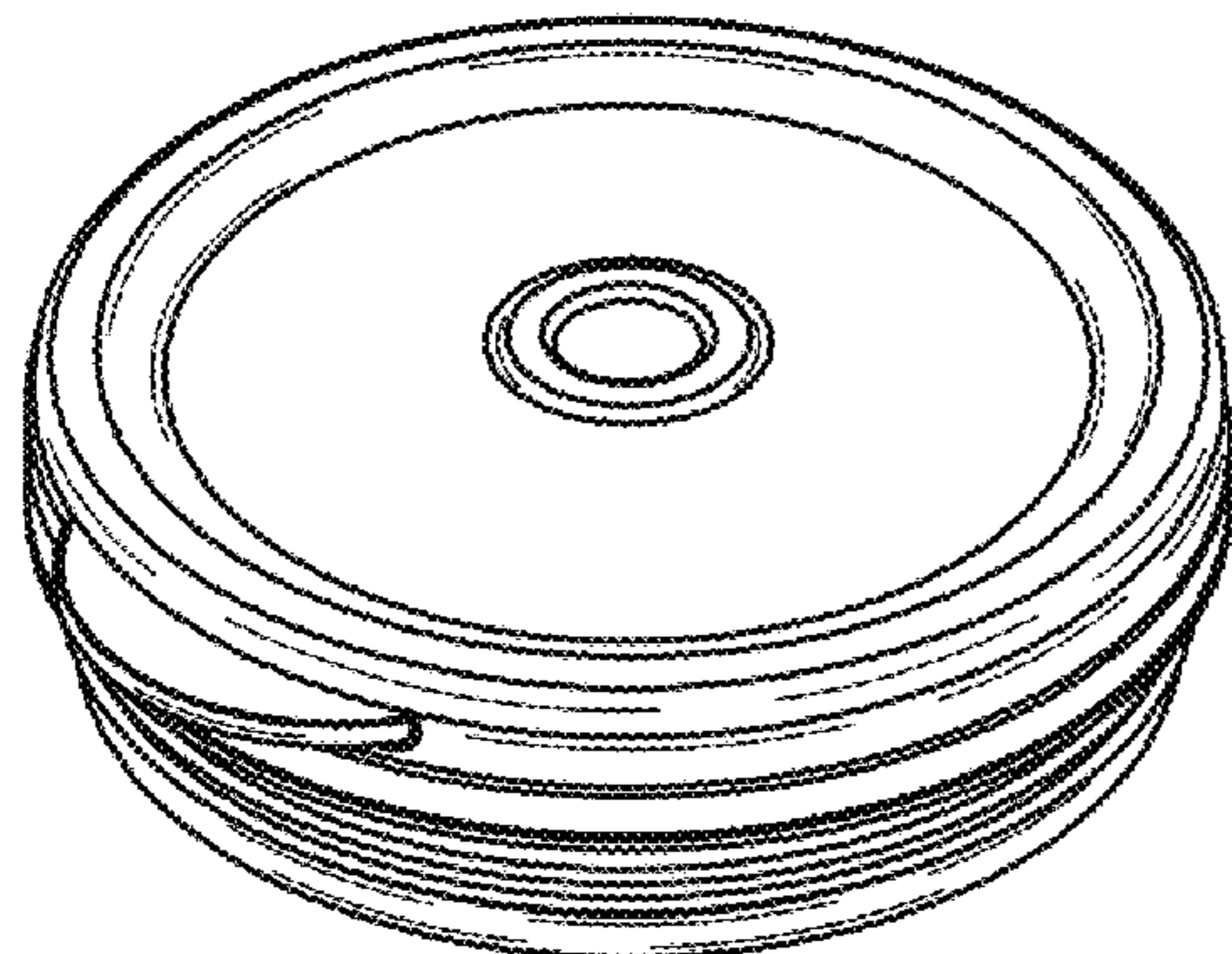
(57) **CLAIM**

The ornamental design for a tumbler lid, as shown and described.

**DESCRIPTION**

FIG. 1 is a top perspective view of our new design;  
 FIG. 2 is a bottom perspective view thereof;  
 FIG. 3 is a top view thereof;  
 FIG. 4 is a bottom view thereof;  
 FIG. 5 is a front view thereof;  
 FIG. 6 is a back view thereof;  
 FIG. 7 is a cross-sectional view of the tumbler lid of FIG. 1 taken along line 7-7 in FIG. 5;  
 FIG. 8 is a right side view thereof;  
 FIG. 9 is a left side view thereof;  
 FIG. 10 is an exploded top perspective view thereof; and,  
 FIG. 11 is an exploded front view thereof.  
 The broken lines in FIGS. 2 and 4 depict portions of the tumbler lid that form no part of the claimed design.

**1 Claim, 4 Drawing Sheets**



(56)

**References Cited**

U.S. PATENT DOCUMENTS

2017/0251850 A1\* 9/2017 Coon ..... A47G 19/2272  
2018/0140120 A1\* 5/2018 Shackelford ..... A47G 19/2272

\* cited by examiner

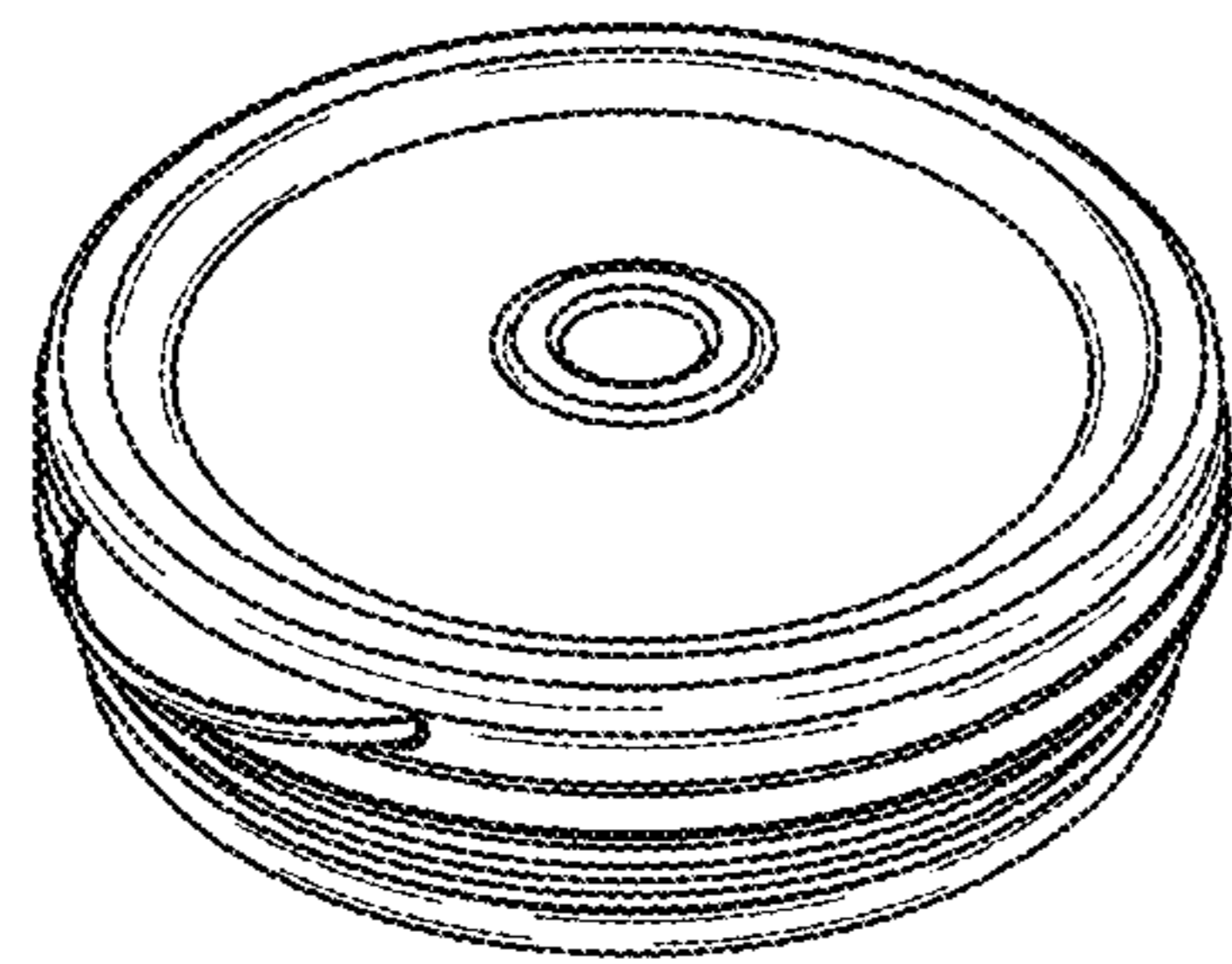


FIG. 1

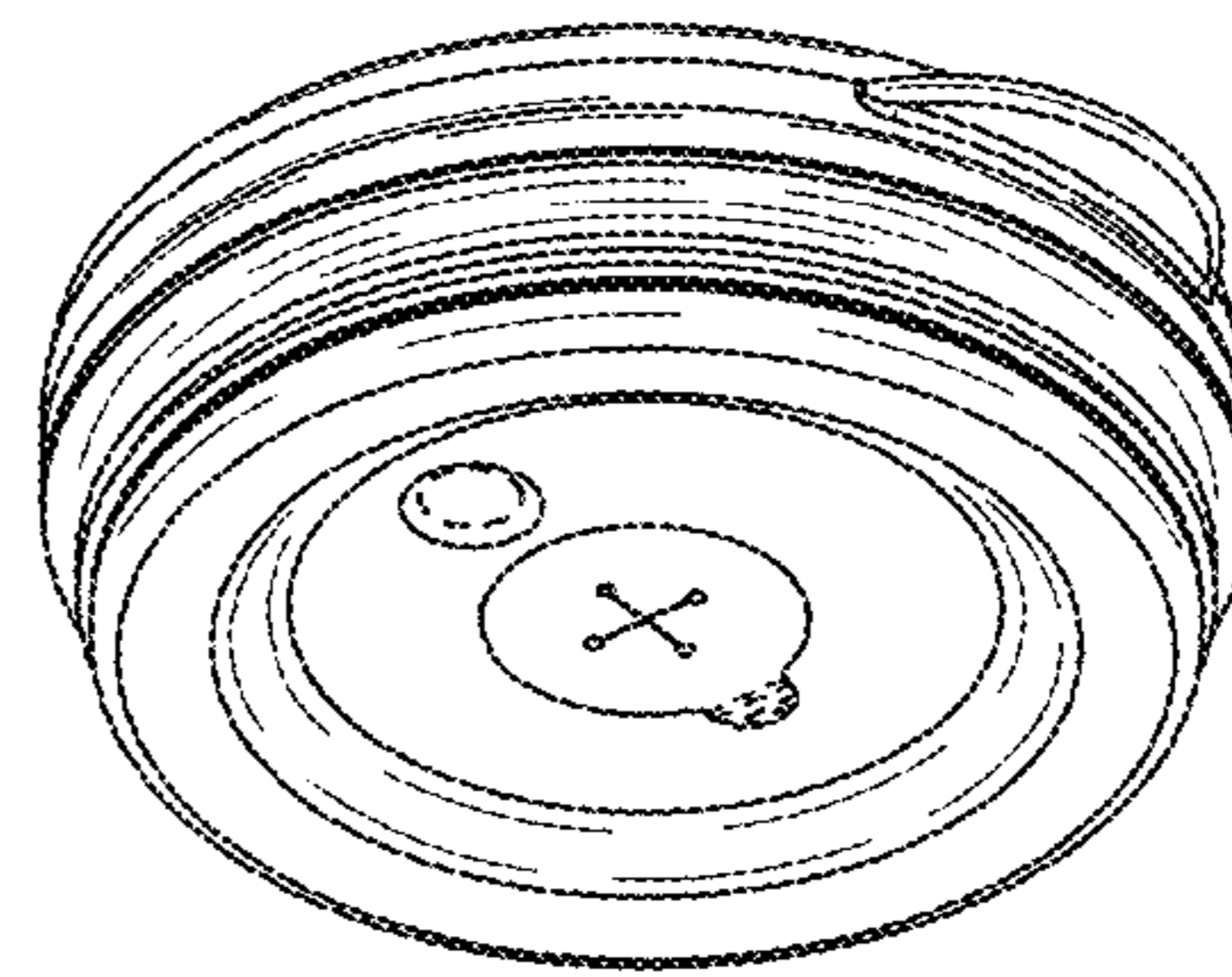


FIG. 2

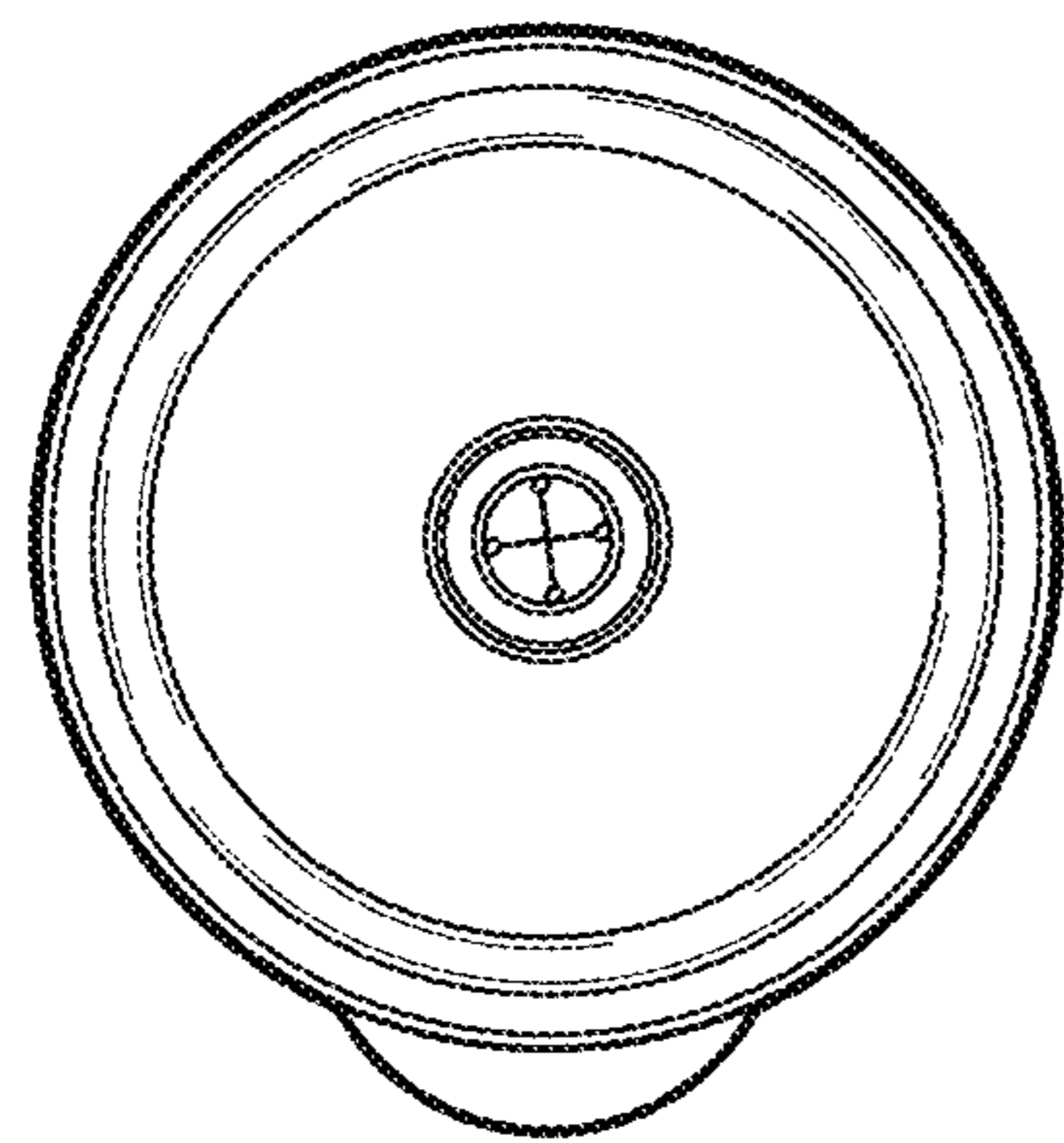


FIG. 3

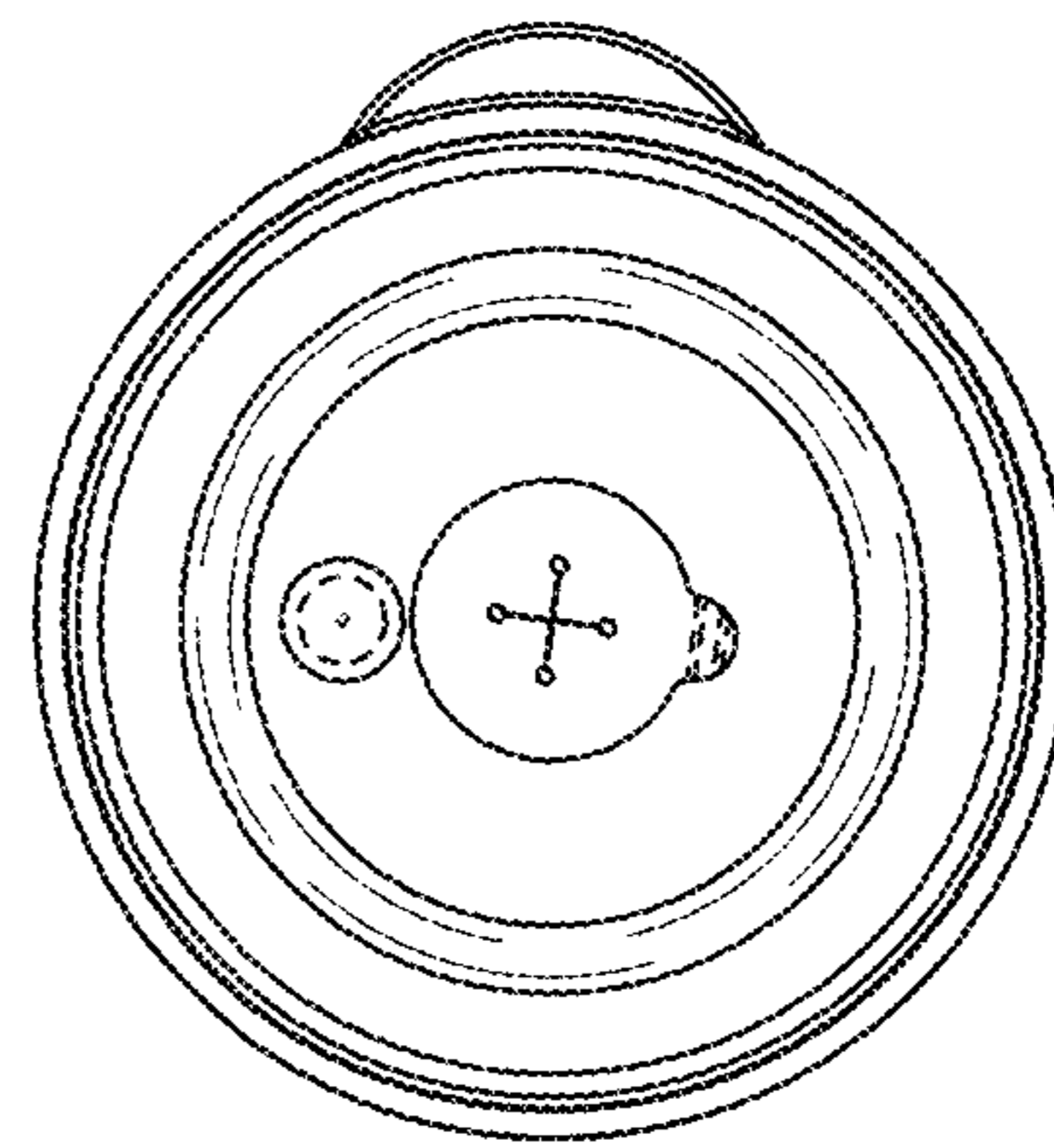


FIG. 4

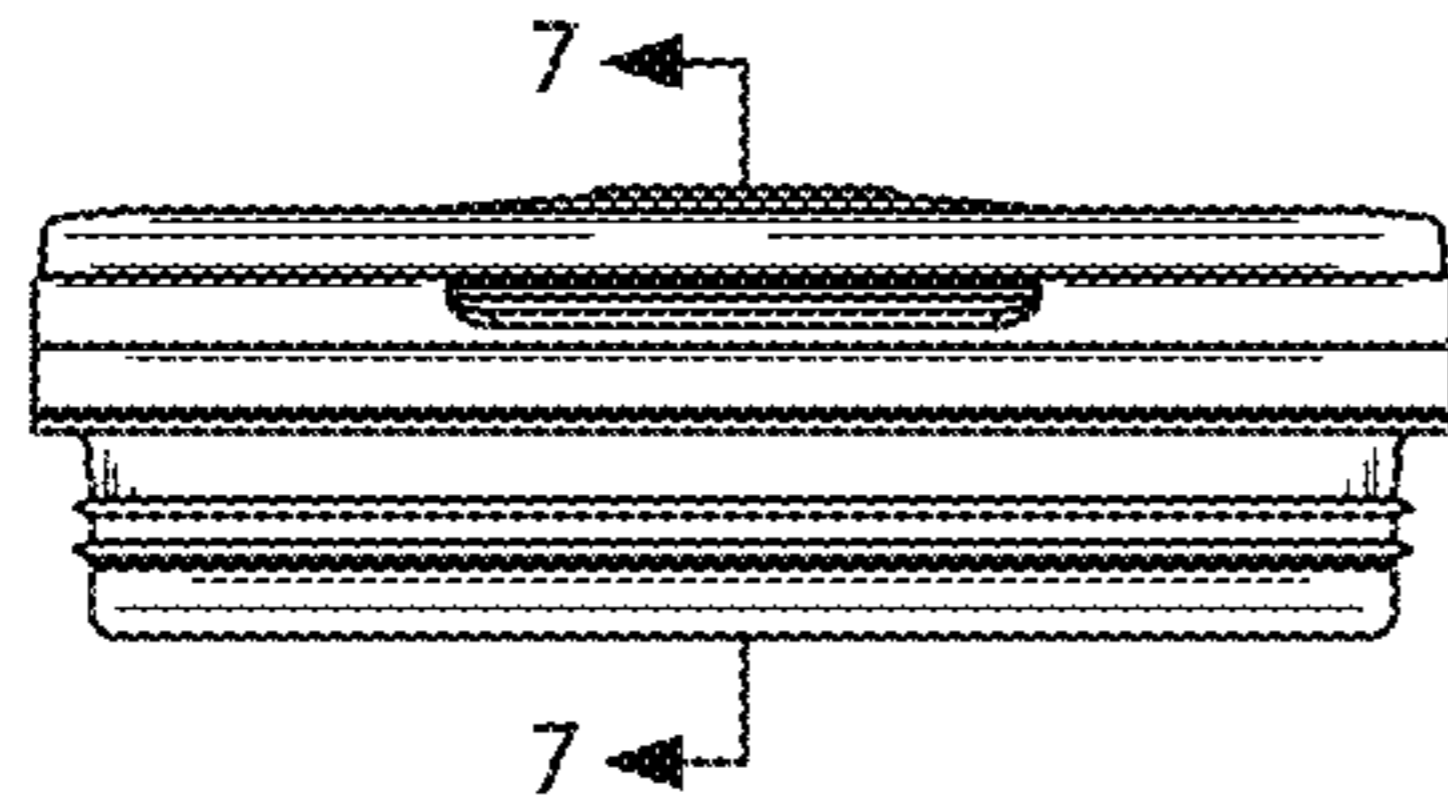


FIG. 5

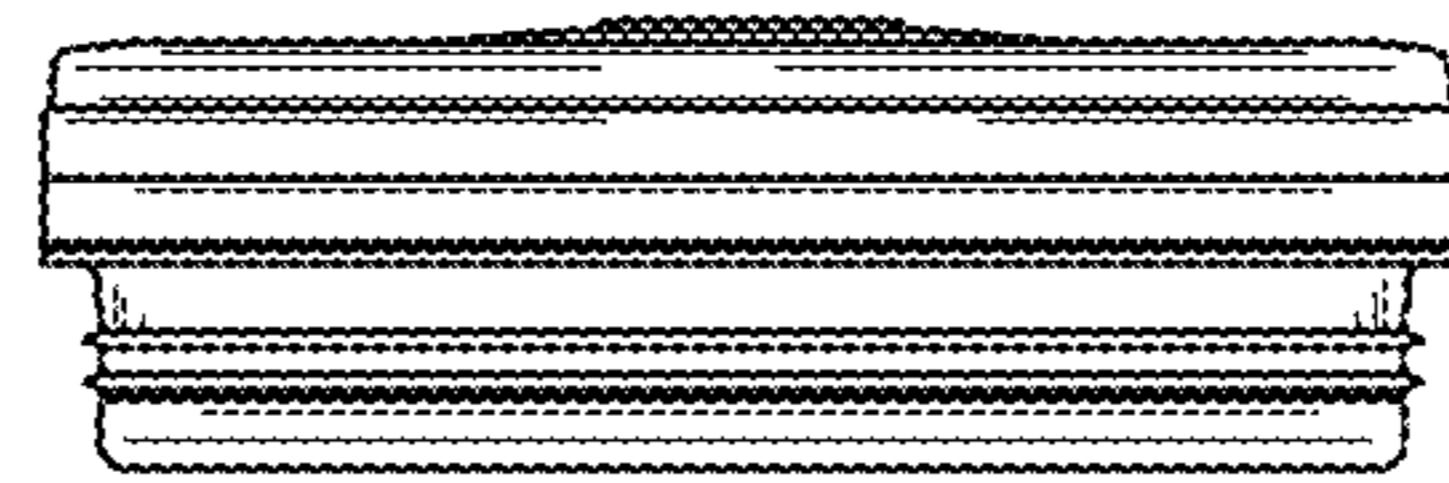


FIG. 6

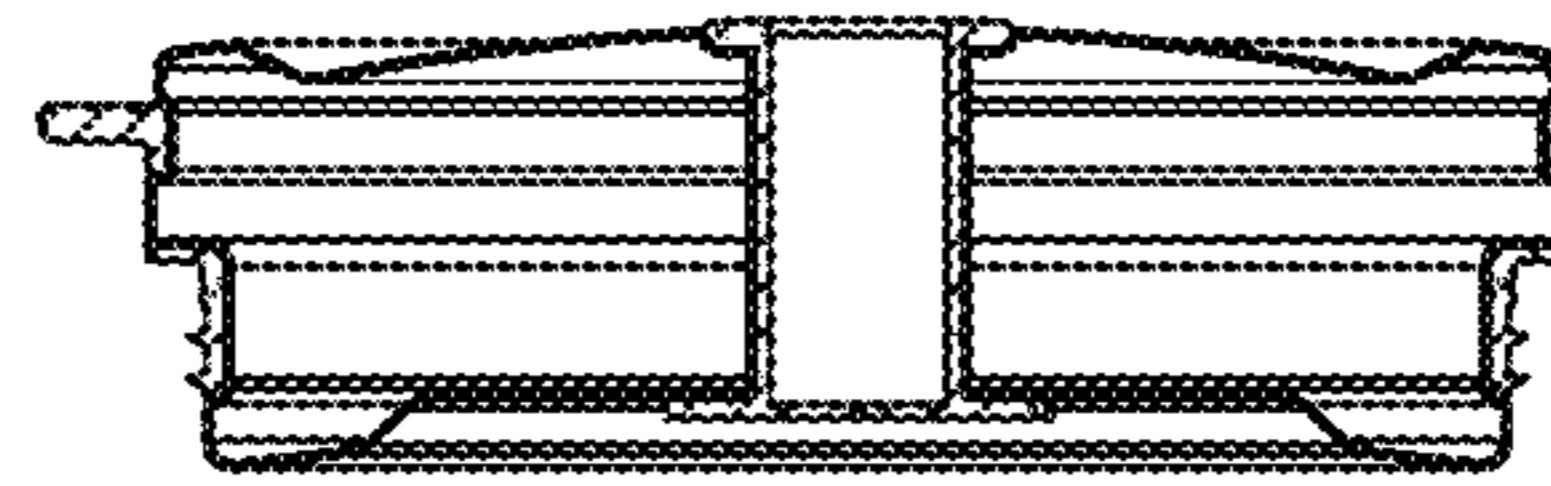


FIG. 7

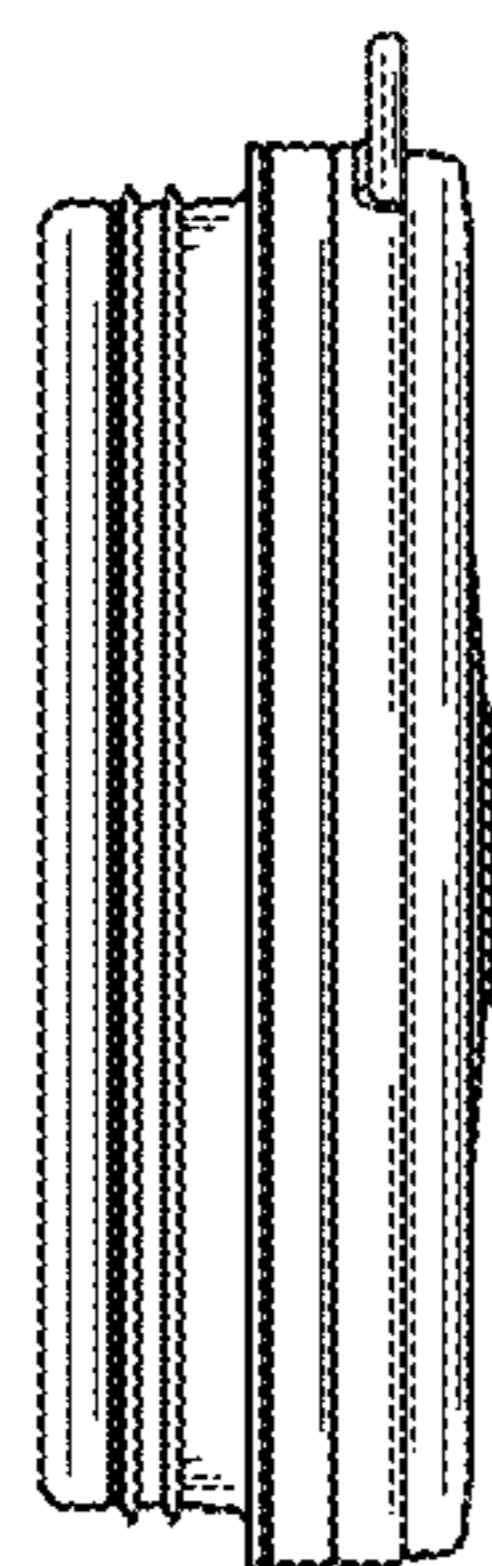


FIG. 8

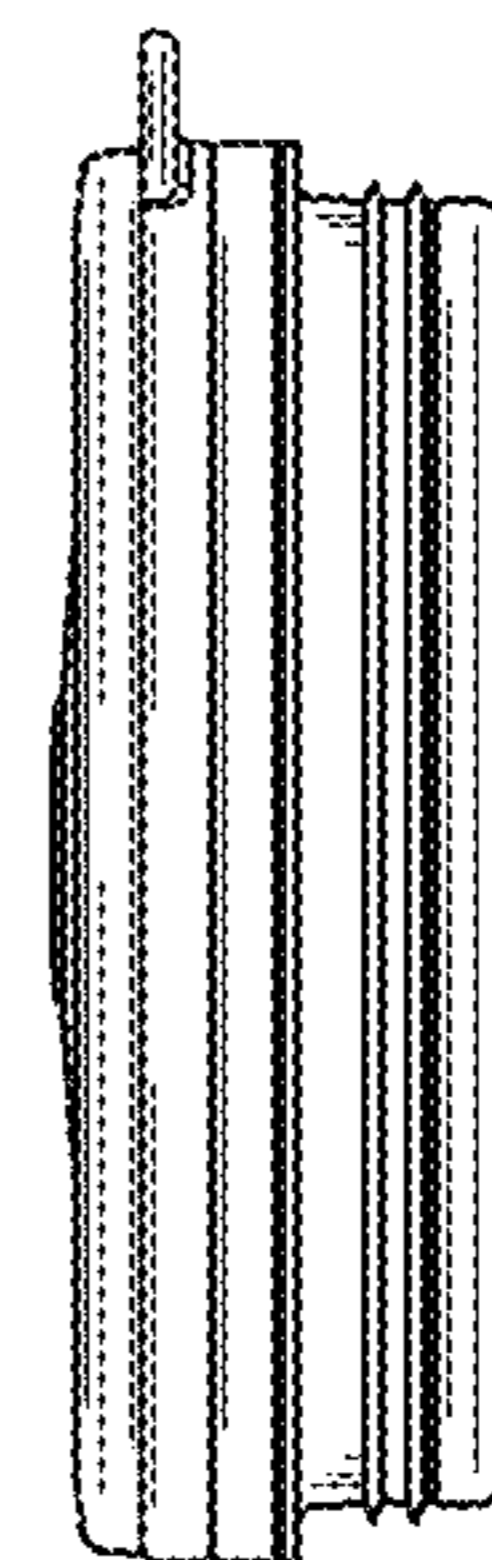


FIG. 9

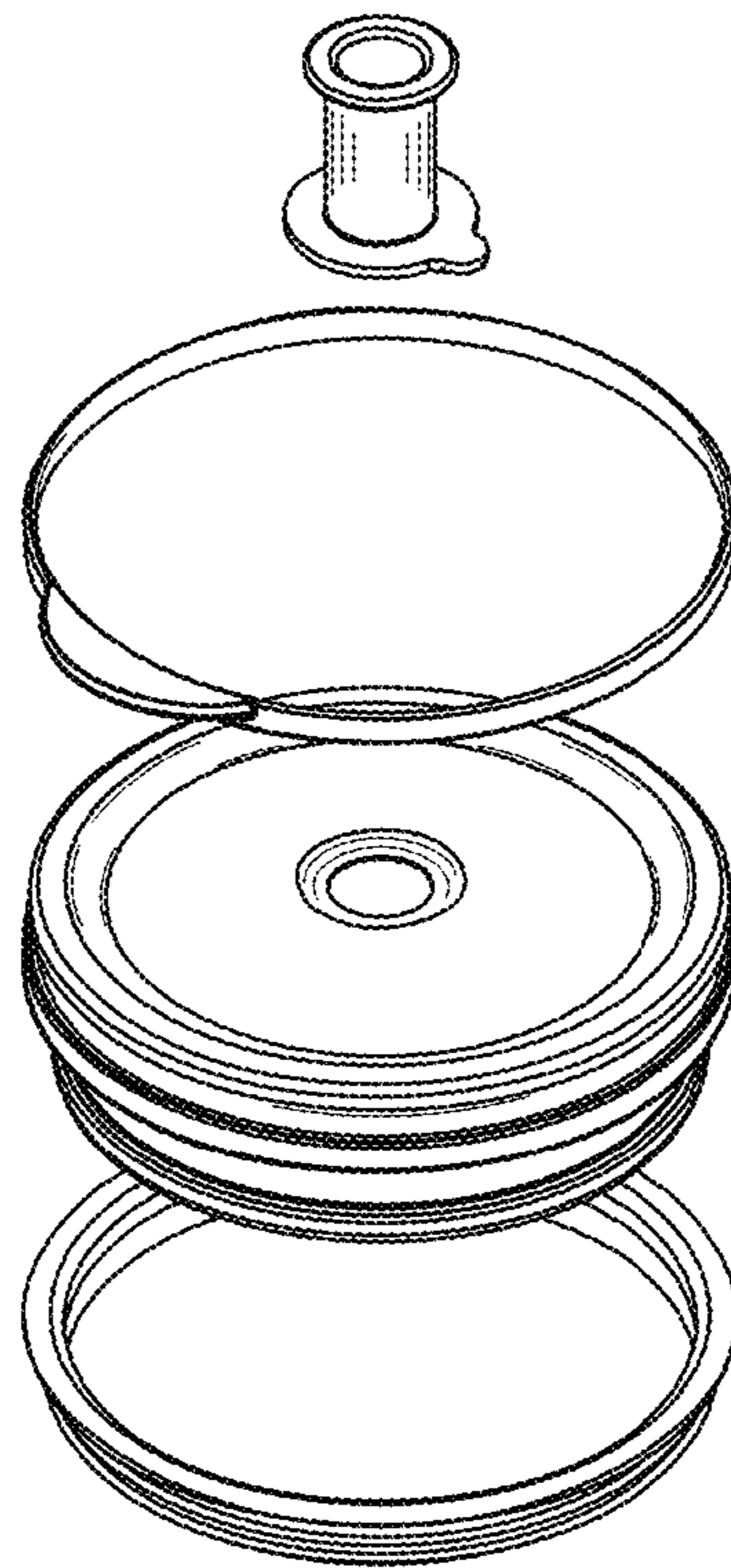


FIG. 10

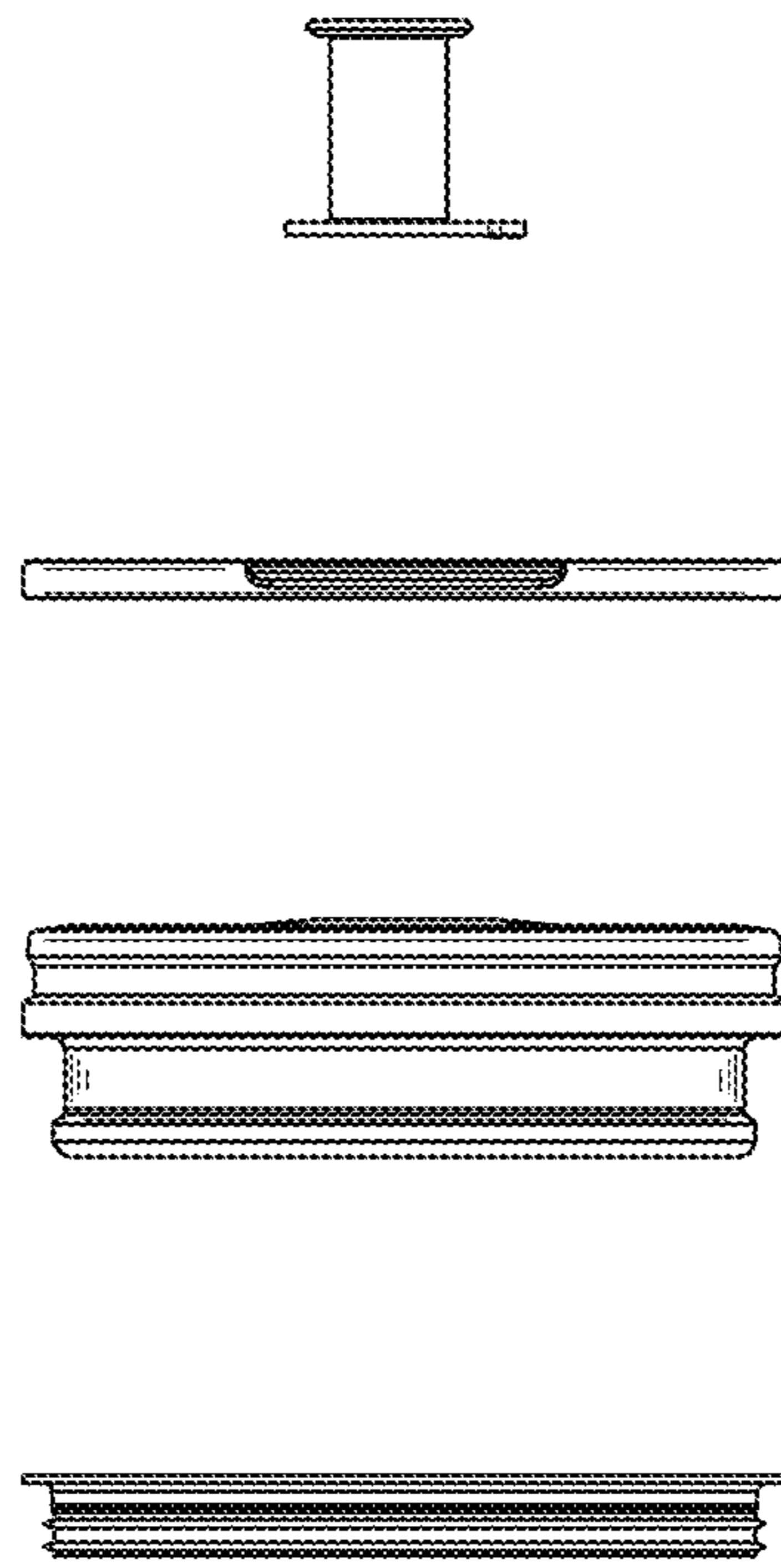


FIG. 11