

US00D867057S

(12) **United States Design Patent**  
**Spivey et al.**

(10) **Patent No.:** **US D867,057 S**

(45) **Date of Patent:** **\*\* Nov. 19, 2019**

(54) **VESSEL LID**

(71) Applicant: **Base Brands, LLC**, Atlanta, GA (US)

(72) Inventors: **Patrick Spivey**, Atlanta, GA (US);  
**Kenneth Kreaflle**, Atlanta, GA (US)

(73) Assignee: **Base Brands, LLC**, Atlanta, GA (US)

(\*\*) Term: **15 Years**

(21) Appl. No.: **29/609,765**

(22) Filed: **Jul. 5, 2017**

(51) **LOC (12) Cl.** ..... **07-99**

(52) **U.S. Cl.**  
USPC ..... **D7/392; D7/392.1**

(58) **Field of Classification Search**  
USPC ..... D9/452, 453, 454, 435, 447, 449;  
D7/391, 392, 392.1, 510, 511, 538, 540,  
D7/542, 543, 544, 545, 629

(Continued)

(56) **References Cited**

**U.S. PATENT DOCUMENTS**

2,304,214 A 12/1942 Straub  
3,059,816 A 10/1962 Goldstein

(Continued)

**OTHER PUBLICATIONS**

Reduce website, Hot Tumbler, Publication date unknown, [site visited Feb. 19, 2019], Available on the Internet URL [https://reduceeveryday.com/collections/leisure-hot/products/hot-1-tumbler-16oz.\\*](https://reduceeveryday.com/collections/leisure-hot/products/hot-1-tumbler-16oz.*)

(Continued)

*Primary Examiner* — Karen S Acker

*Assistant Examiner* — Steven B Reinholdt, Jr.

(74) *Attorney, Agent, or Firm* — Park, Vaughan, Fleming & Dowler LLP

(57) **CLAIM**

The ornamental design for a vessel lid, as shown and described.

**DESCRIPTION**

FIG. 1 is a top perspective view of a first embodiment of my design.

FIG. 2 is a bottom perspective view of the first embodiment.

FIG. 3 is a front view of the first embodiment.

FIG. 4 is a back view of the first embodiment.

FIG. 5 is a top view of the first embodiment.

FIG. 6 is a bottom view of the first embodiment.

FIG. 7 is a right side view of the first embodiment.

FIG. 8 is a left side view of the first embodiment.

FIG. 9 is an exploded, top perspective view of FIG. 1 of the first embodiment.

FIG. 10 is an exploded, right side view of the first embodiment.

FIG. 11 is an exploded, front view of the first embodiment.

FIG. 12 is a top perspective view of a second embodiment of my design.

FIG. 13 is a bottom perspective view of the second embodiment.

FIG. 14 is a front view of the second embodiment.

FIG. 15 is a back view of the second embodiment.

FIG. 16 is a top view of the second embodiment.

FIG. 17 is a bottom view of the second embodiment.

FIG. 18 is a right side view of the second embodiment.

FIG. 19 is a left side view of the second embodiment.

FIG. 20 is an exploded, top perspective view of FIG. 12 of the second embodiment.

FIG. 21 is an exploded, right side view of the second embodiment.

FIG. 22 is an exploded, front view of the second embodiment.

FIG. 23 is a top perspective view of a third embodiment of my design.

FIG. 24 is a bottom perspective view of the third embodiment.

FIG. 25 is a front view of the third embodiment.

FIG. 26 is a back view of the third embodiment.

FIG. 27 is a top view of the third embodiment.

FIG. 28 is a bottom view of the third embodiment.

(Continued)

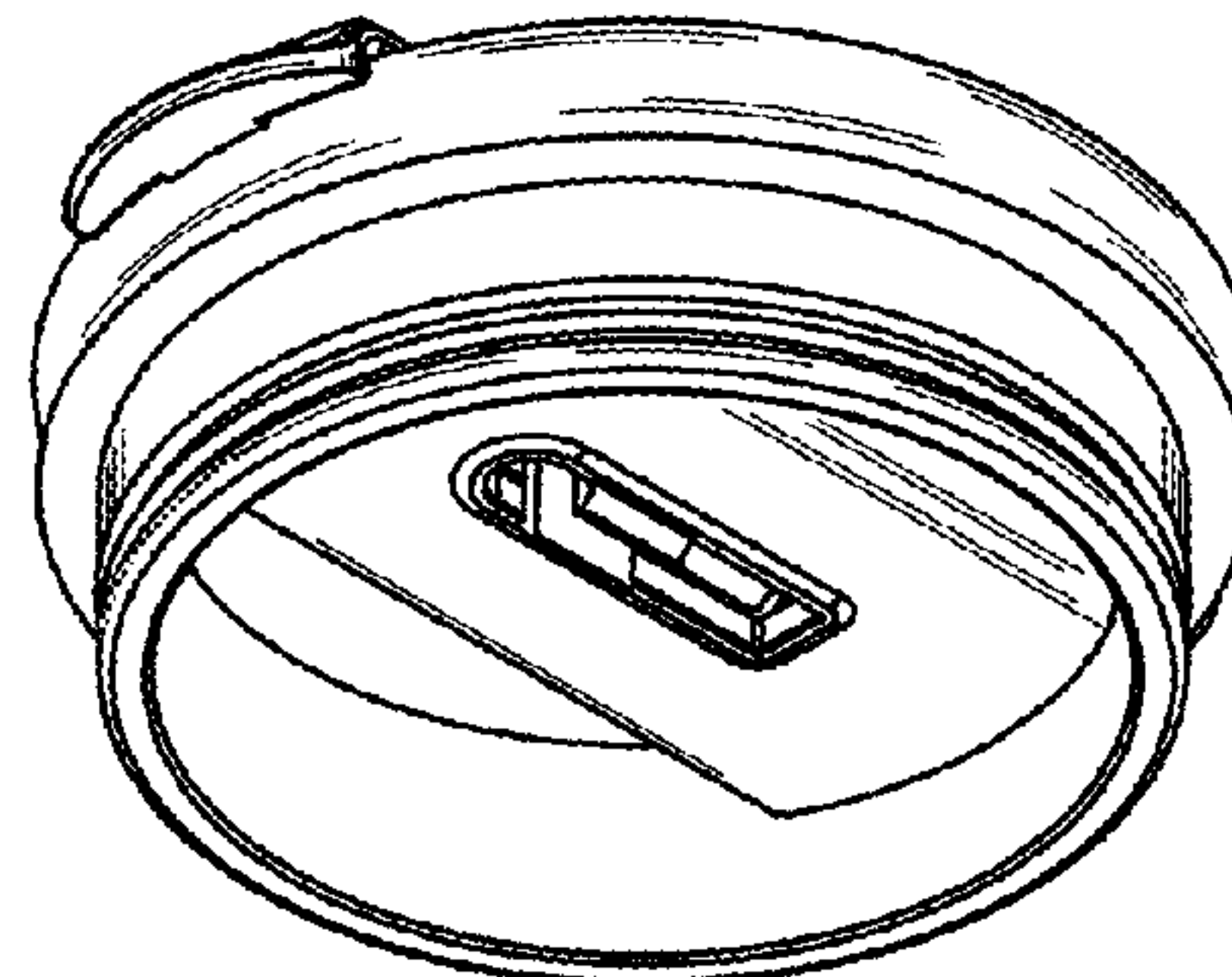
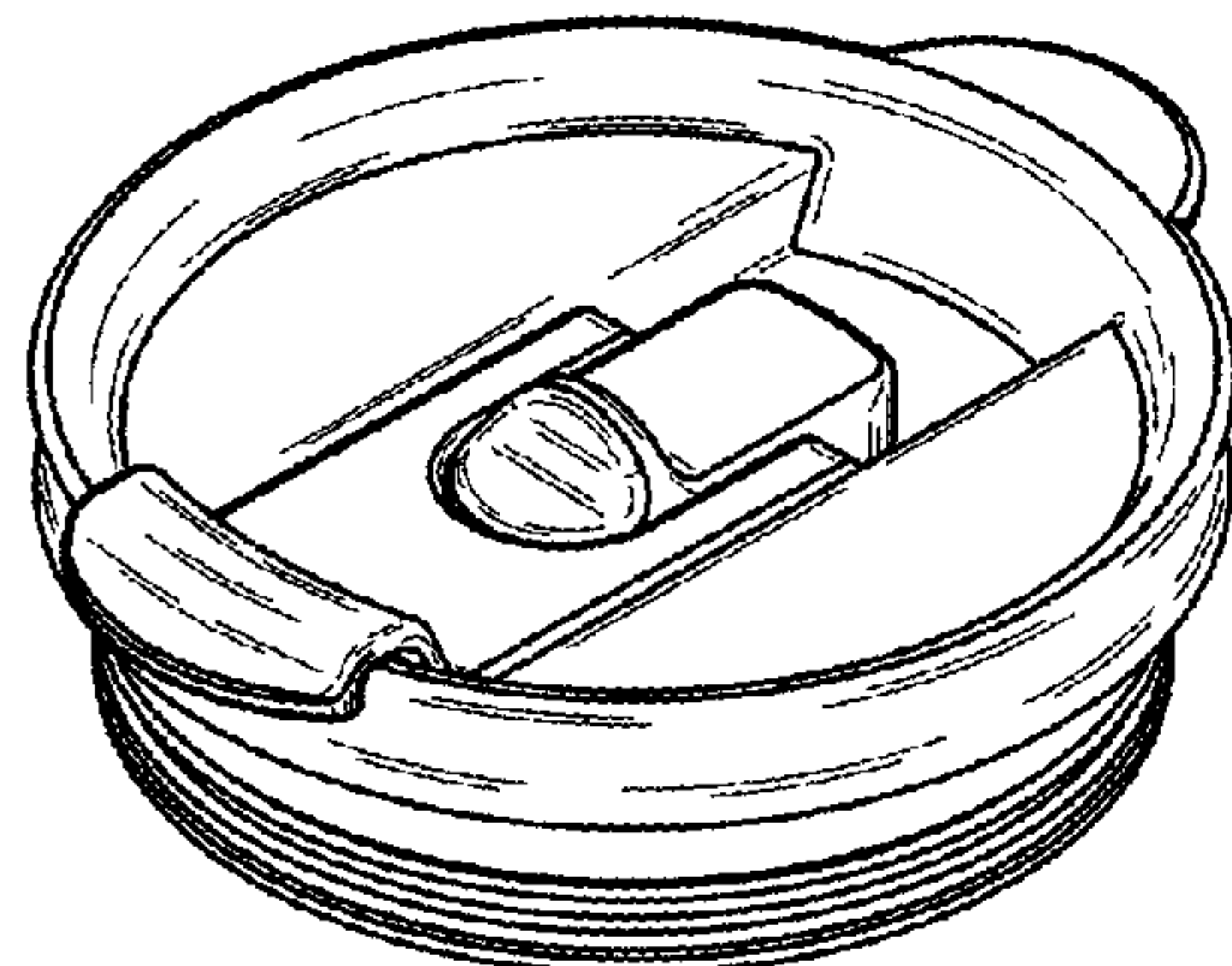


FIG. 29 is a right side view of the third embodiment.  
 FIG. 30 is a left side view of the third embodiment.  
 FIG. 31 is an exploded, top perspective view of FIG. 23 of the third embodiment.  
 FIG. 32 is an exploded, right side view of the third embodiment; and,  
 FIG. 33 is an exploded, front view of the third embodiment.  
 The dashed lines in FIGS. 12, 13, 16, 17, and 20-33 depict portions of the vessel lid that form no part of the claimed design.

**1 Claim, 15 Drawing Sheets**

(58) **Field of Classification Search**

CPC ... A47G 19/2205; A47G 19/2222; A45F 3/16;  
 A45F 3/20; B67D 7/06; B67D 7/0004;  
 B65D 25/14; B65D 47/065; B65D  
 47/066; B65D 2543/00101; B65D  
 2543/00027

See application file for complete search history.

(56) **References Cited**

U.S. PATENT DOCUMENTS

3,061,151	A	10/1962	George	
4,040,549	A	8/1977	Sadler	
4,545,508	A	10/1985	Cribb, Jr.	
D295,831	S	5/1988	Urion	
5,086,941	A	2/1992	English et al.	
5,203,467	A	4/1993	Tucker	
5,244,113	A	9/1993	Stymiest	
5,294,014	A	3/1994	Wyatt	
5,413,257	A	5/1995	Amberger et al.	
5,415,312	A	5/1995	Mueller	
5,462,189	A	10/1995	Pierce	
5,653,124	A	8/1997	Weber	
D386,948	S	12/1997	Wissinger	
D398,187	S	9/1998	Parker	
D416,755	S *	11/1999	Trombly	D7/391
6,098,834	A	8/2000	Hatsumoto	
6,382,476	B1	5/2002	Randall et al.	
D481,591	S	11/2003	Lin	
D485,759	S *	1/2004	Janky	D7/392.1
6,752,287	B1	6/2004	Lin	
D493,068	S	7/2004	Slater	
7,021,481	B2	4/2006	St. Germain	
D539,609	S	4/2007	Ying	
D565,901	S	4/2008	Edelstein	
D577,548	S	9/2008	Homma	
D584,106	S	1/2009	Wong	
D589,747	S	4/2009	Wong	
D591,103	S	4/2009	Wong	
D600,071	S	9/2009	Carreno	
D600,073	S	9/2009	Carreno	
D625,951	S	10/2010	Baek	
7,918,359	B2	4/2011	Paris et al.	
D643,245	S *	8/2011	Minarsch	D7/392.1
D688,092	S	8/2013	Arnold	
D691,416	S	10/2013	Eyal	
D696,940	S	1/2014	Hale	
8,672,174	B1	3/2014	McMullin	
D713,686	S	9/2014	Eyal	
D715,100	S	10/2014	Eyal	

D717,115	S *	11/2014	Lane	D7/511
D719,023	S	12/2014	Hu	
8,899,440	B2	12/2014	Arnold	
D721,535	S	1/2015	Chapman	
D721,540	S *	1/2015	Grcic	D7/511
D731,251	S	6/2015	Lane	
D747,199	S	1/2016	Phillips	
D747,649	S	1/2016	Phillips	
D751,338	S	3/2016	Seiders	
D751,339	S	3/2016	Seiders	
D751,340	S	3/2016	Seiders	
D751,341	S	3/2016	Seiders	
9,398,822	B2	7/2016	Wille	
D788,583	S *	6/2017	Tu	D7/392.1
D789,737	S *	6/2017	Eyal	D7/300.1
D802,362	S *	11/2017	Spivey	D7/396.2
D803,619	S *	11/2017	Seiders	D7/392.1
D803,684	S *	11/2017	Seiders	D9/449
D804,905	S *	12/2017	Seiders	D7/510
D814,240	S *	4/2018	Kabalin	D7/510
D815,893	S *	4/2018	Seiders	D7/396.2
D819,406	S *	6/2018	Rivera	D7/532
D820,045	S *	6/2018	Harrington, III	D7/511
D821,151	S *	6/2018	Lapsker	D7/511
D836,395	S *	12/2018	Seiders	D7/510
10,159,368	B2	12/2018	Lin	
D836,974	S *	1/2019	Seiders	D7/392.1
2003/0071041	A1	4/2003	Vogel	
2003/0168455	A1	9/2003	Zettle et al.	
2005/0045634	A1	3/2005	Ward et al.	
2005/0269325	A1	12/2005	Belcastro	
2006/0043091	A1	3/2006	Pinelli et al.	
2007/0164026	A1	7/2007	Morrissey et al.	
2008/0073343	A1	3/2008	Shadrach et al.	
2010/0200602	A1	8/2010	Chan	
2012/0145712	A1	6/2012	Bratsch	
2012/0241454	A1	9/2012	Dennis	
2013/0062358	A1	3/2013	Ei-Saden et al.	
2013/0200112	A1	8/2013	Pierre	
2013/0320012	A1	12/2013	Lucas	
2014/0263476	A1	9/2014	Blain et al.	
2016/0270572	A1	9/2016	Karussi et al.	
2017/0273484	A1 *	9/2017	Spivey	A47G 19/2288
2018/0332987	A1 *	11/2018	Lin	A47G 19/2272

OTHER PUBLICATIONS

Starbucks; “Starbucks Holiday 2013 Candy Twist Tumbler, 12 fl oz”, downloaded at <https://www.amazon.com/starbucks-holiday-candy-twist-tumbler/dp/b00gpwxc6Q>, May 1, 2018.  
 Starbucks; “Starbucks New Logo Grande Travel Mug/Tumbler”, downloaded at <https://www.amazon.com/starbucks-logo-Grande-Travel-Tumbler/dp/B00RAK5PQ2>, May 1, 2018.  
 Starbucks; Starbucks Stainless Steel Tumbler with Handle—Charcoal, 16 Fl Oz, downloaded at [https://www.amazon.com/Starbucks-Stainless-Steel-Tumbler\\_Handle/dp/B00F1211PQ](https://www.amazon.com/Starbucks-Stainless-Steel-Tumbler_Handle/dp/B00F1211PQ), May 1, 2018.  
 Starbucks; “Starbucks DOT Collection Tumbler—Graffiti Green Dot, 16 Fl Oz” downloaded at <https://www.amazon.com/Starbucks-DOT-Collection-Tumbler-Graffiti/dp/B00RF0Z5EO>, May 1, 2018.  
 Starbucks; “Starbucks New Logo Tall Travel Mug/Tumbler” downloaded at <https://www.amazon.com/Starbucks-Logo-Tall-Travel-Tumbler/dp/B00O0L1ARM>, May 1, 2018.  
 Reduce Everyday. Core Mug 12 oz. Aug. 19, 2014 [earliest online date], [site visited May 19, 2017]. Available from Internet, <URL:<https://reduceeveryday.com/products/core-mug-12oz>>.

\* cited by examiner



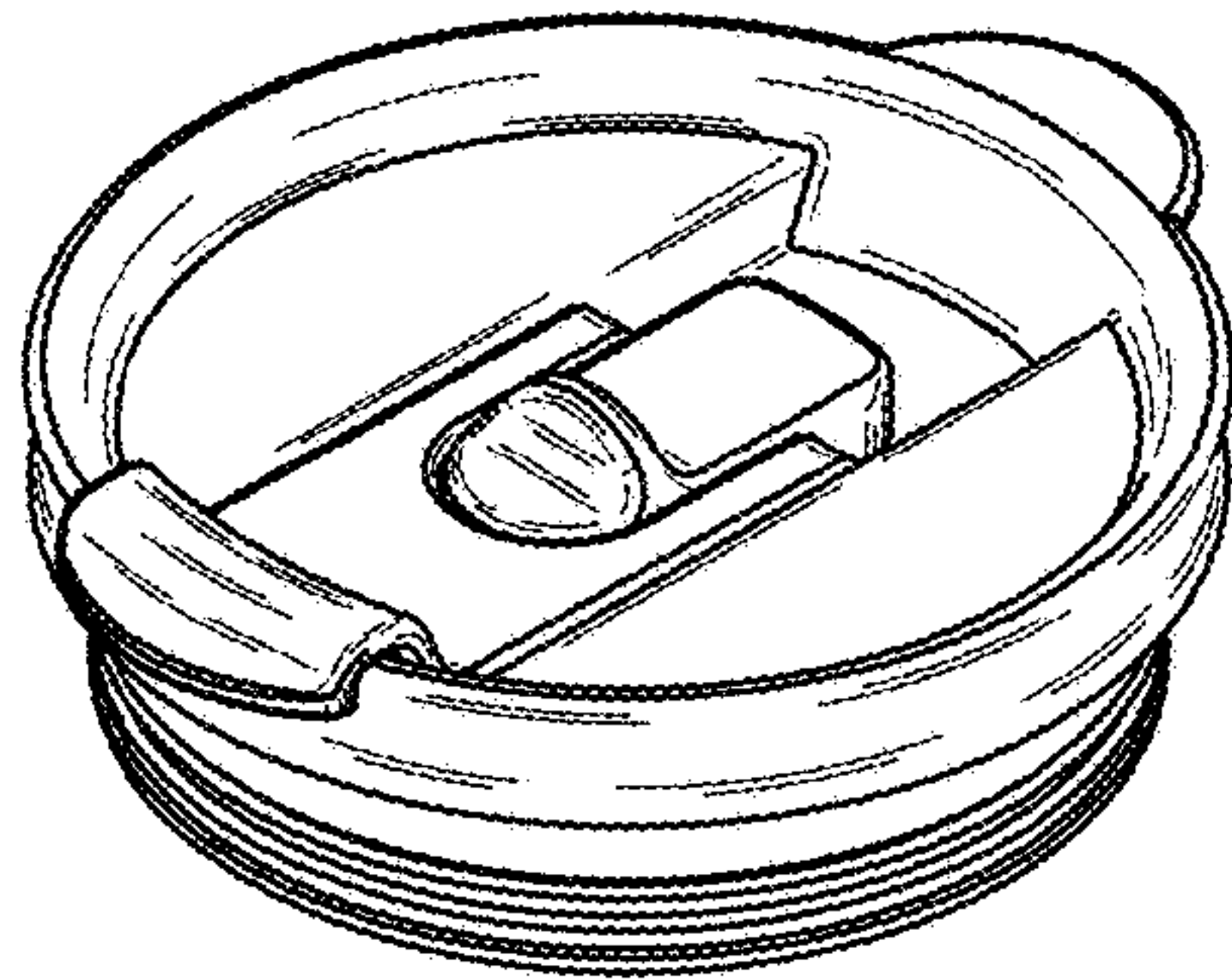


FIG. 1

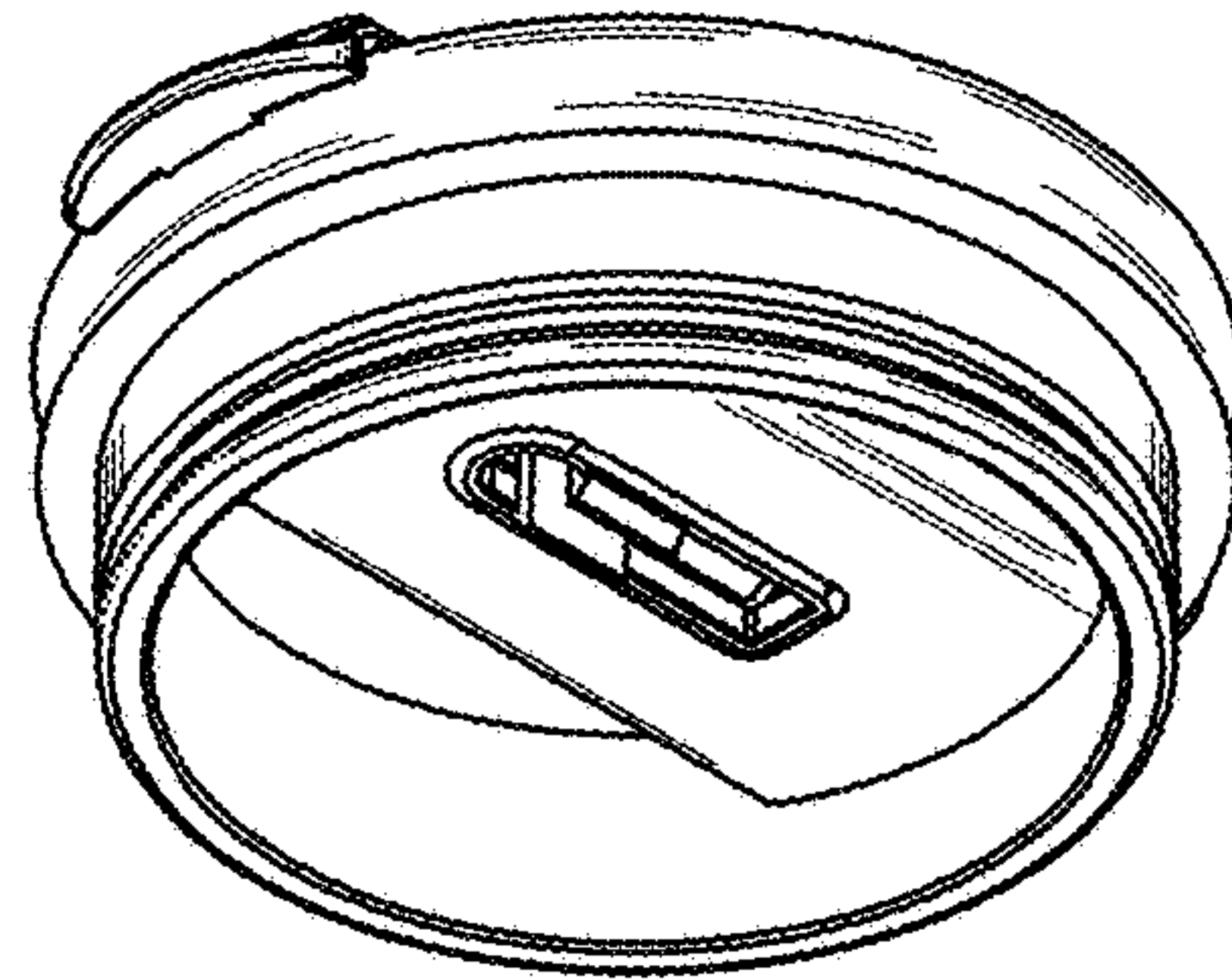


FIG. 2

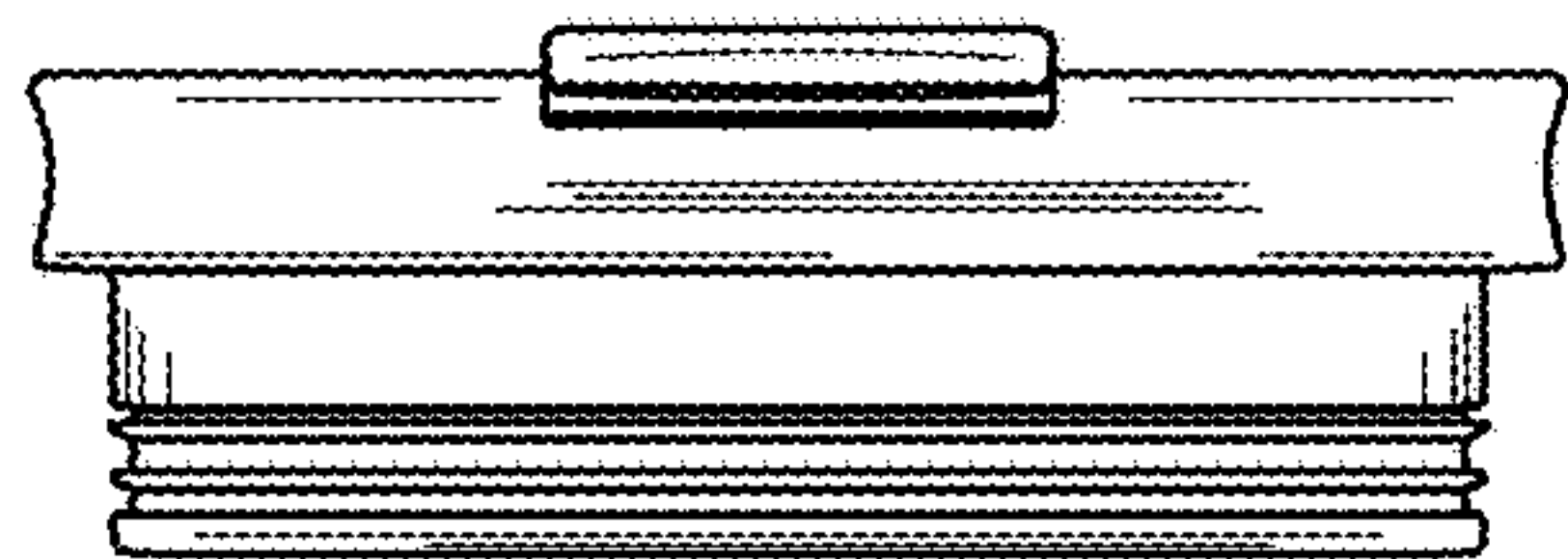


FIG. 3

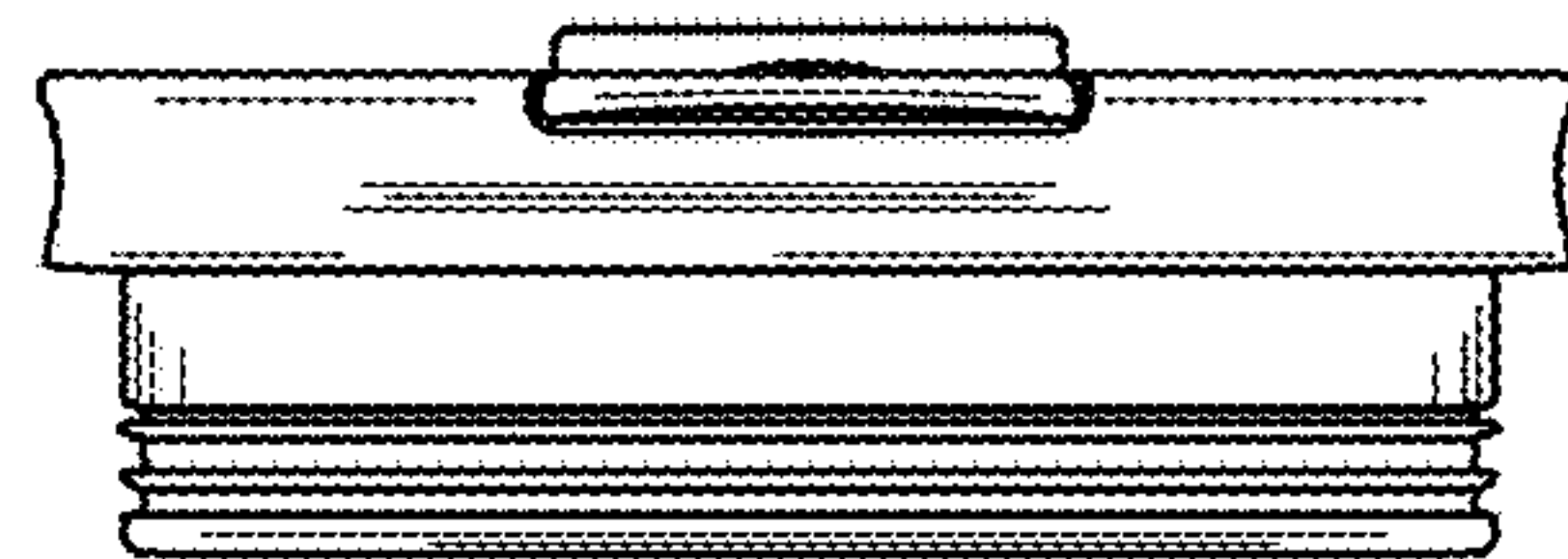


FIG. 4

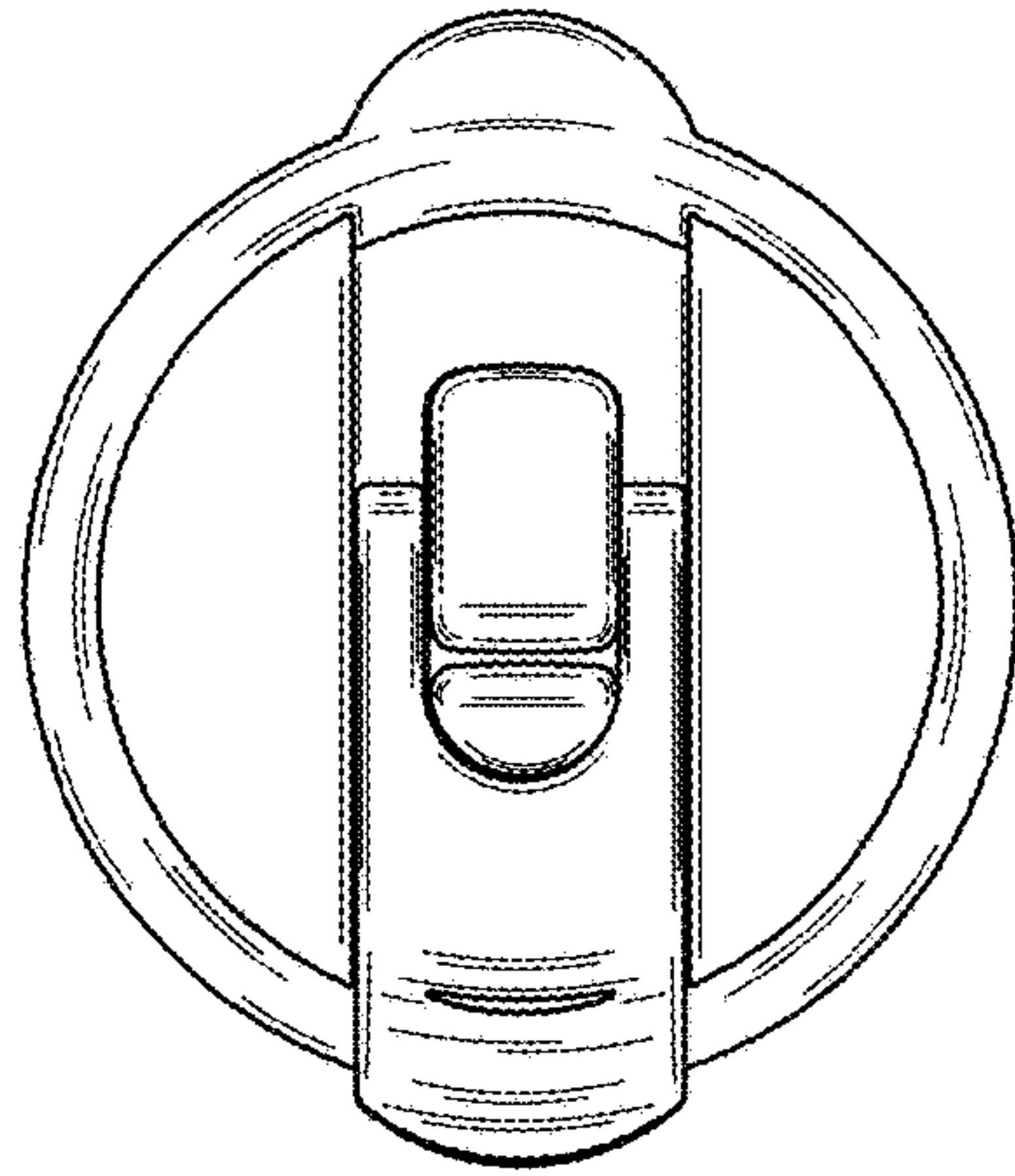


FIG. 5

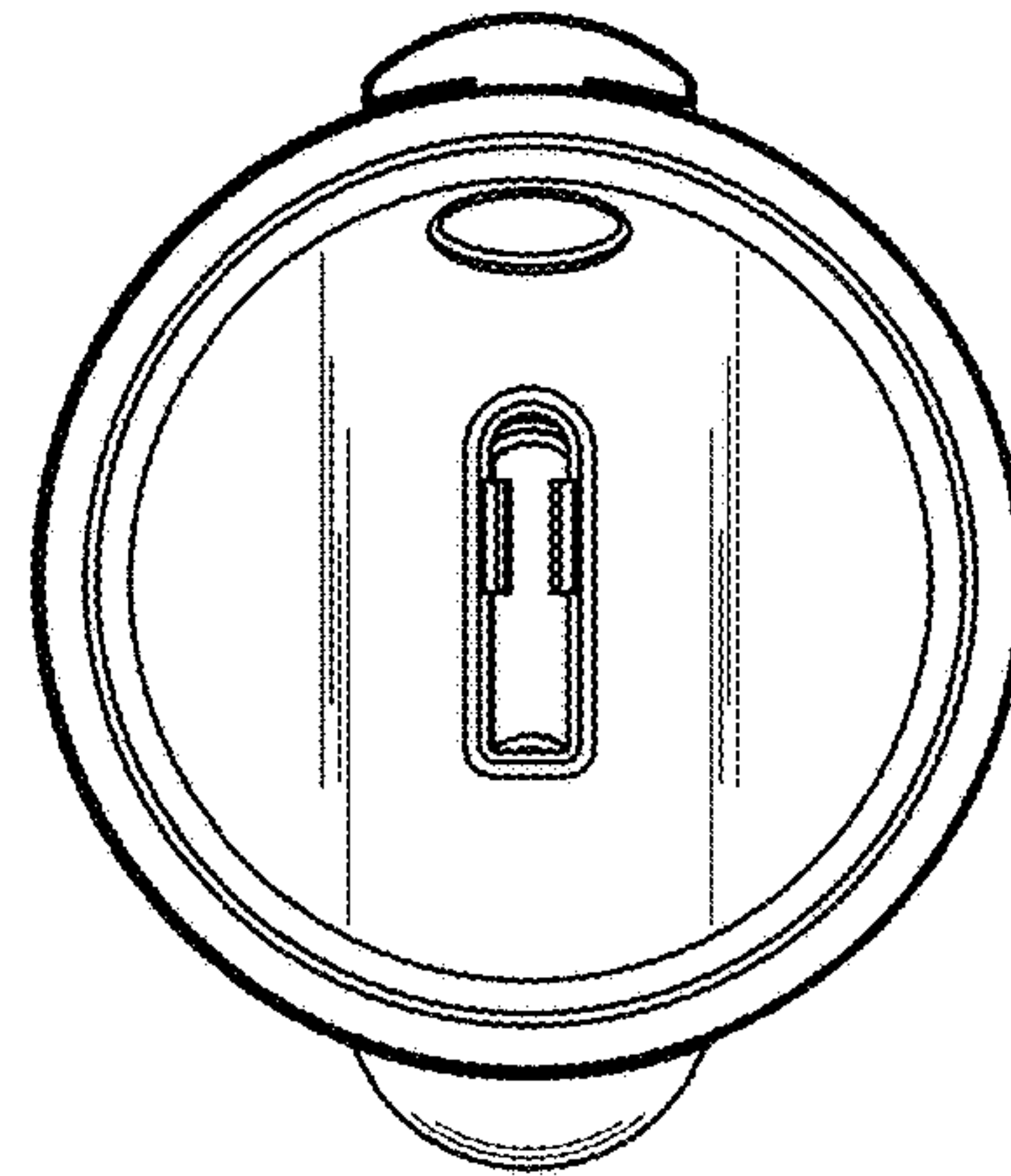


FIG. 6

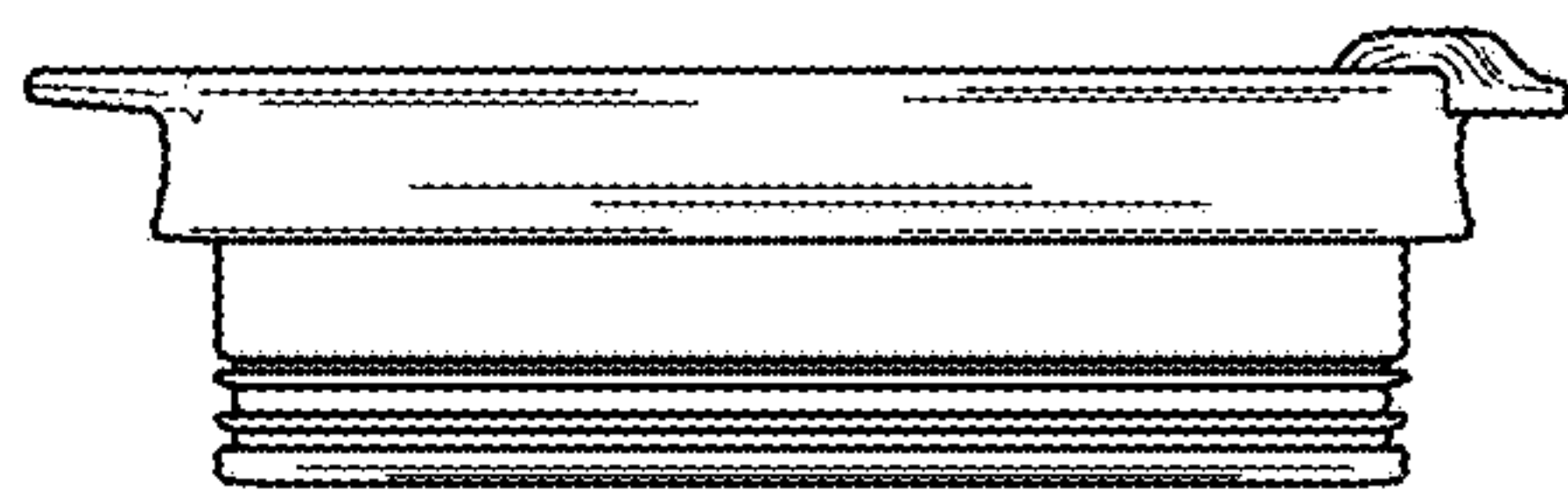


FIG. 7



FIG. 8

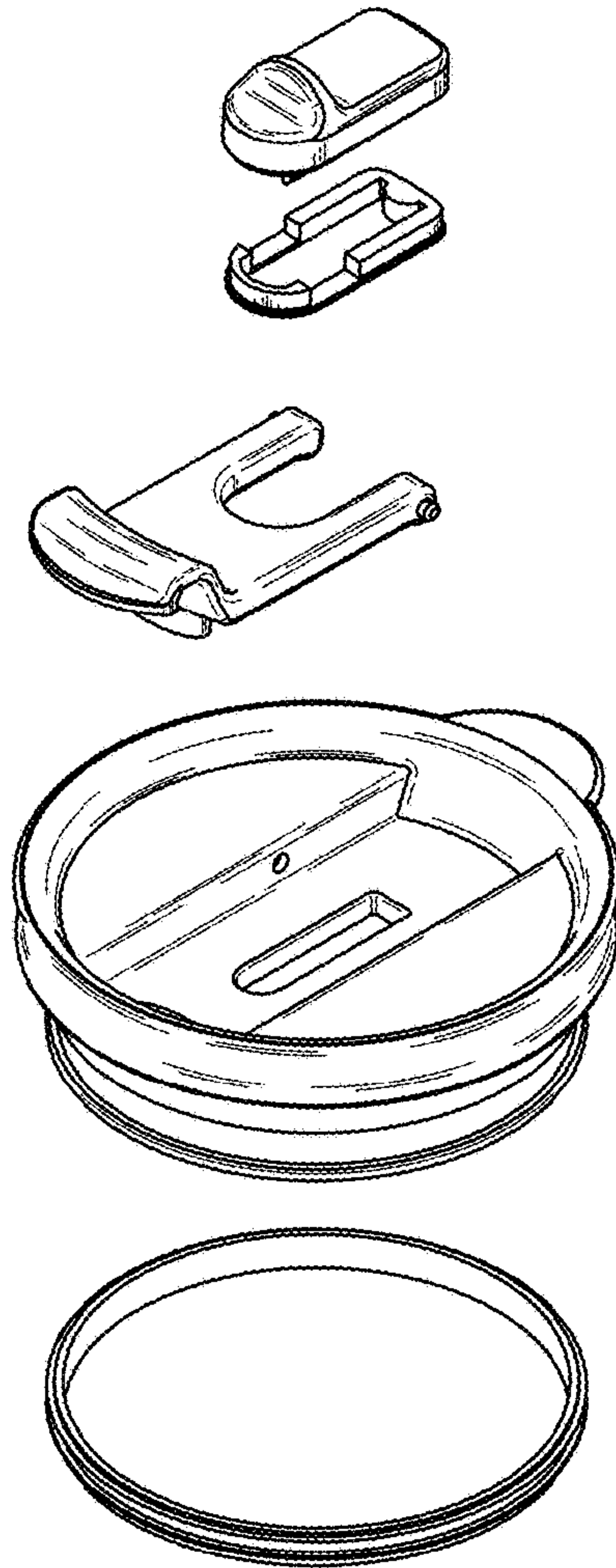
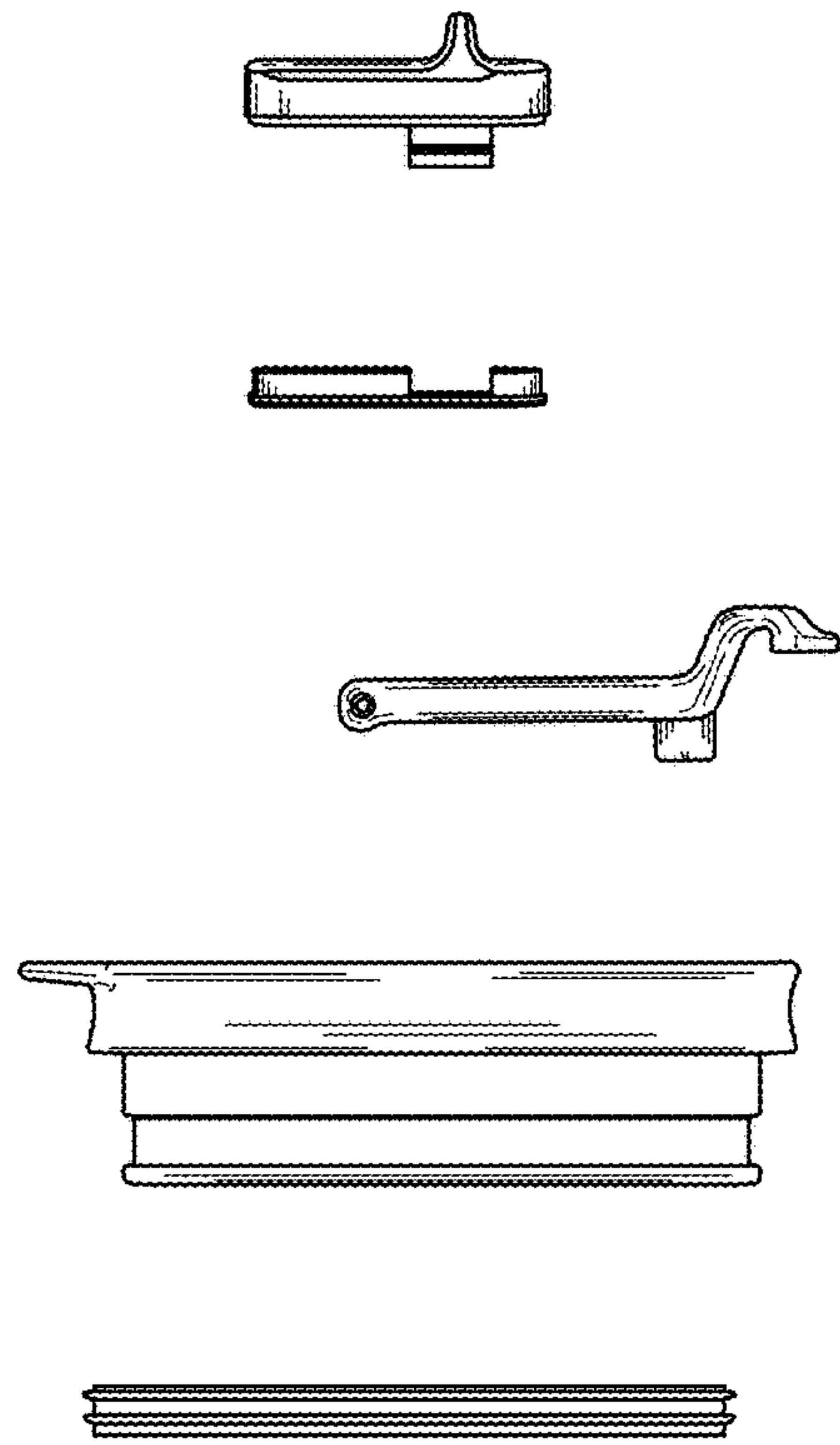
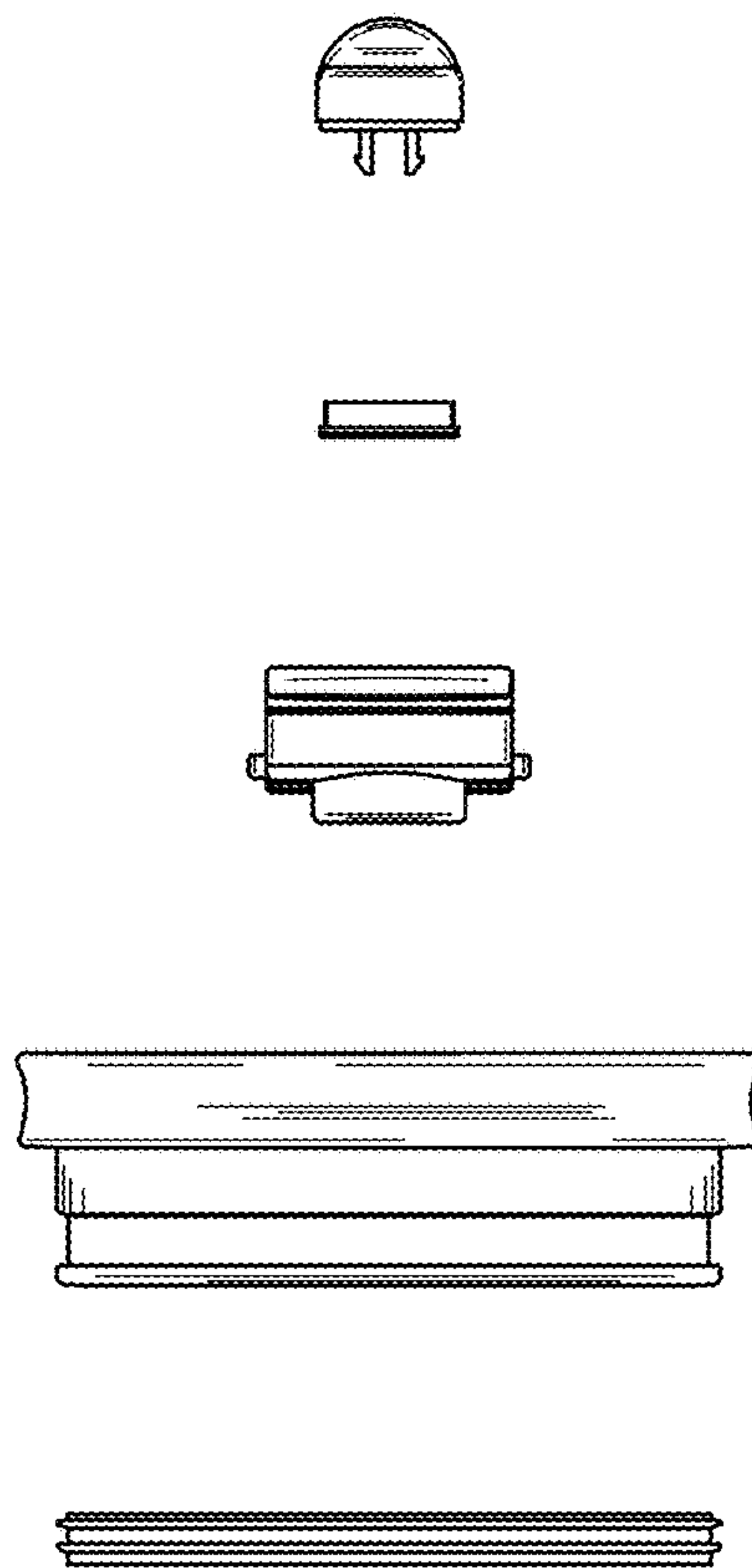


FIG. 9



**FIG. 10**



*FIG. 11*

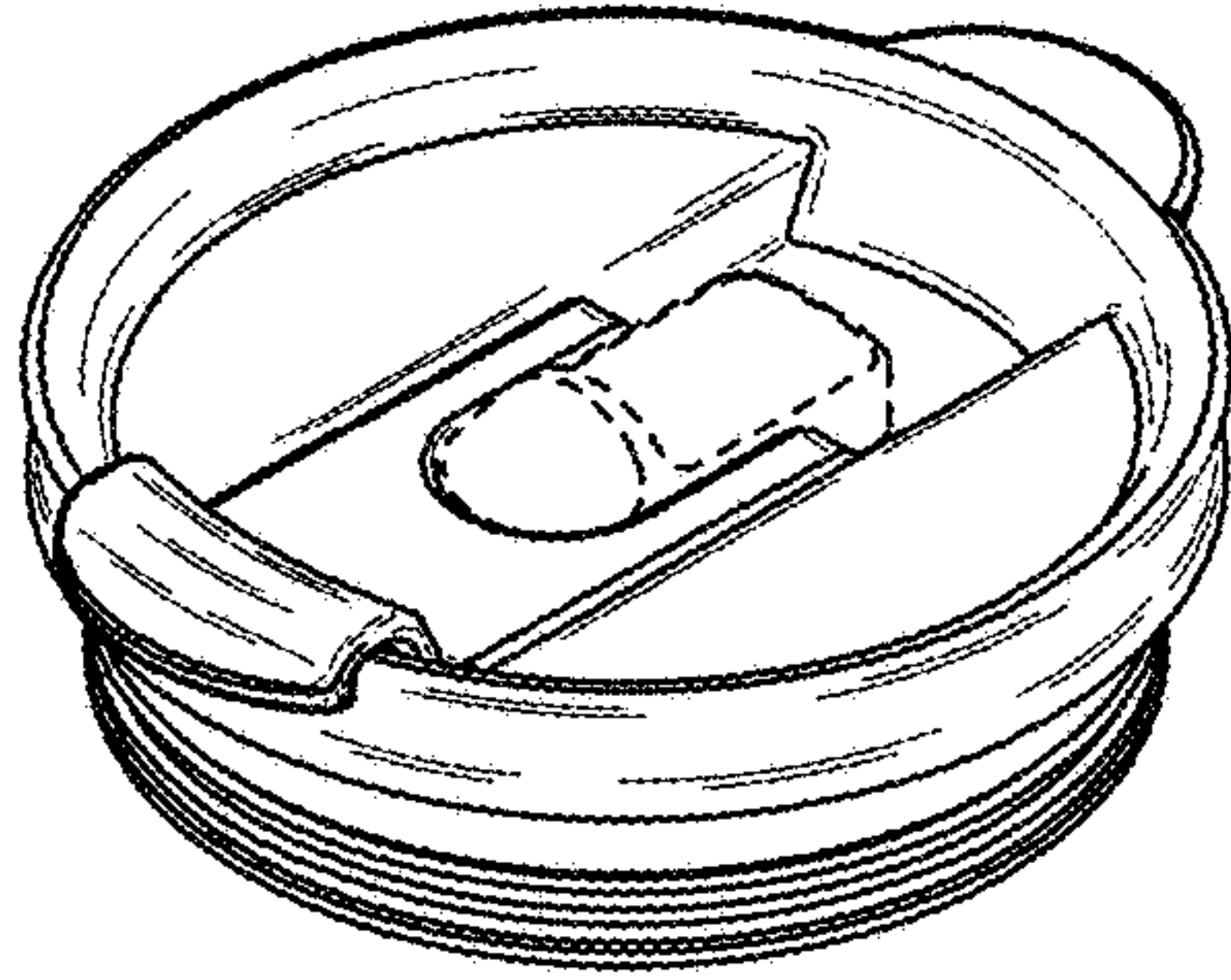


FIG. 12

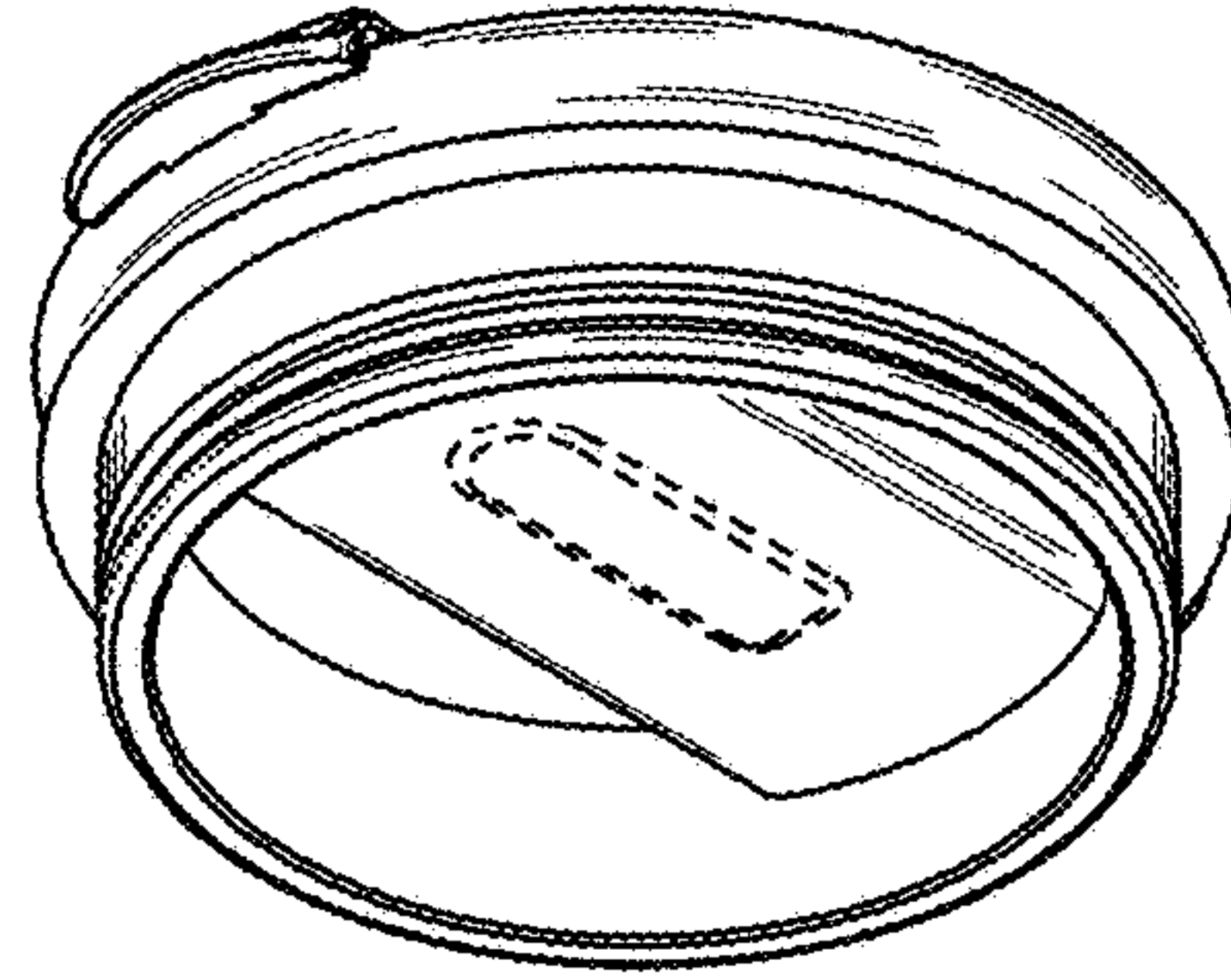


FIG. 13

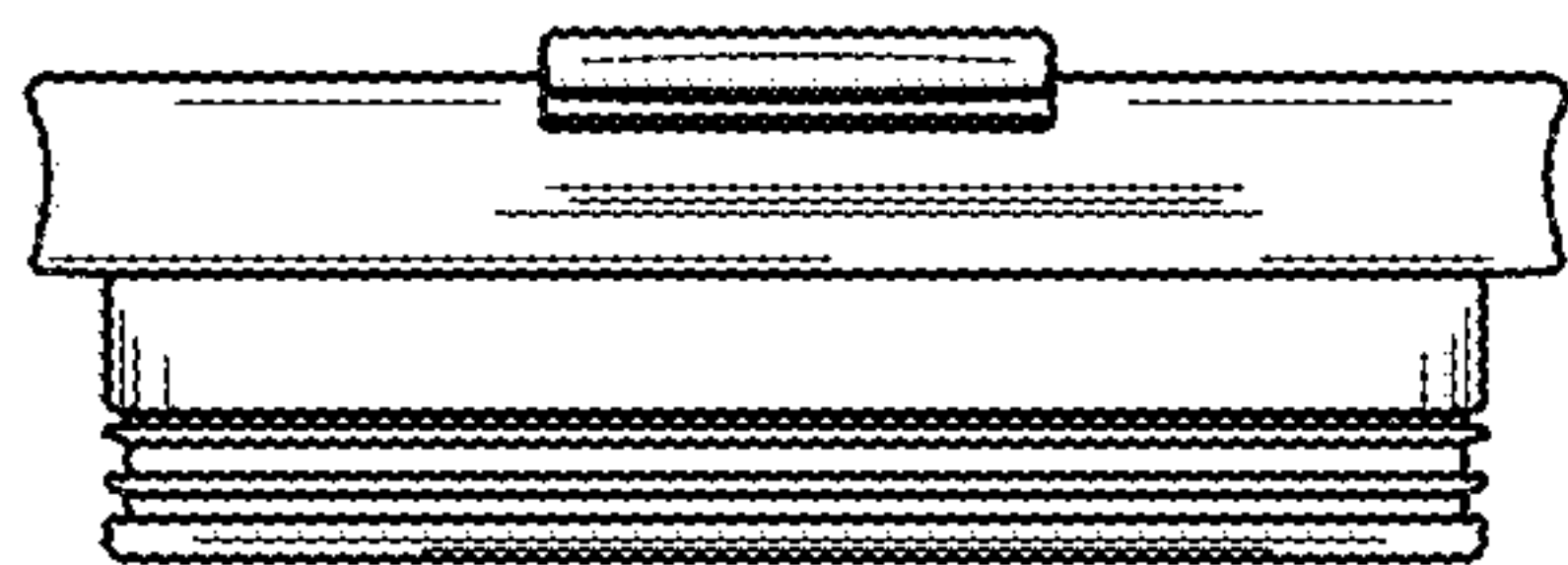


FIG. 14

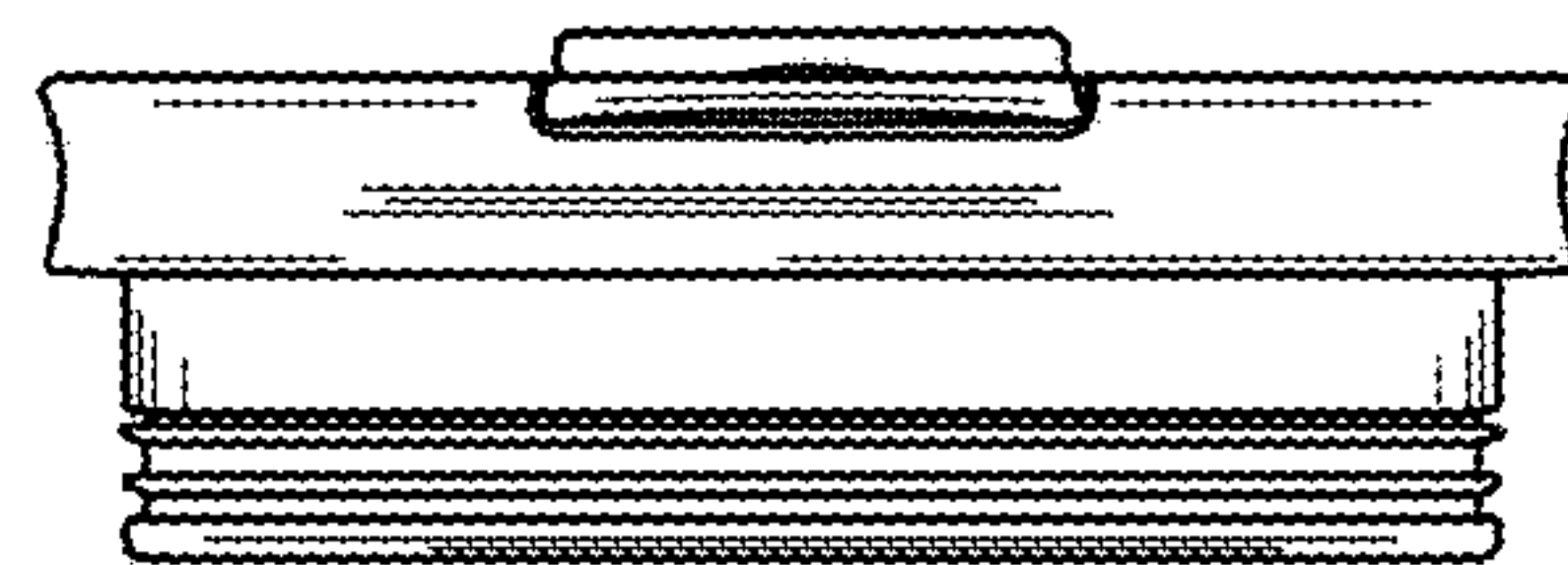


FIG. 15



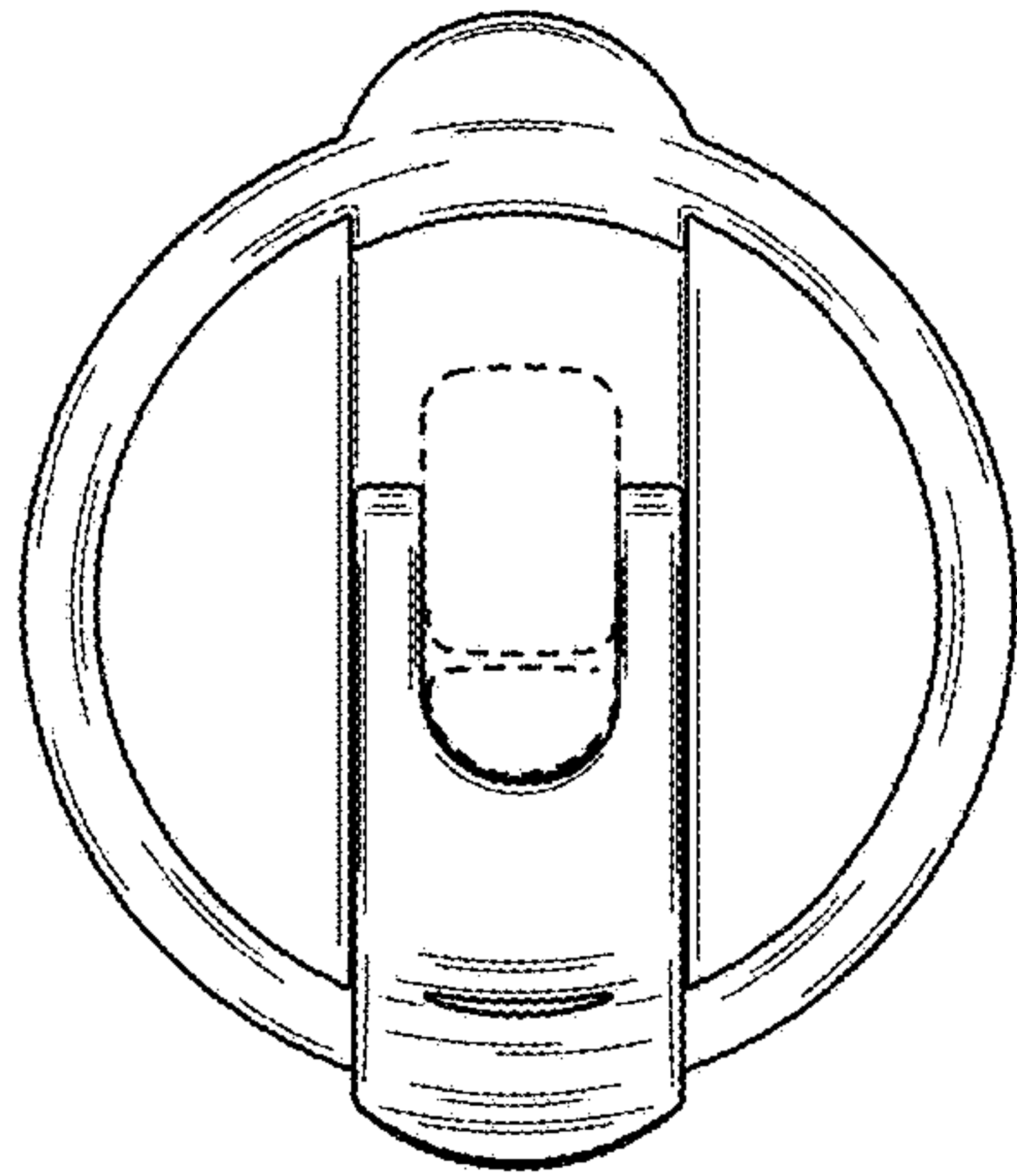


FIG. 16

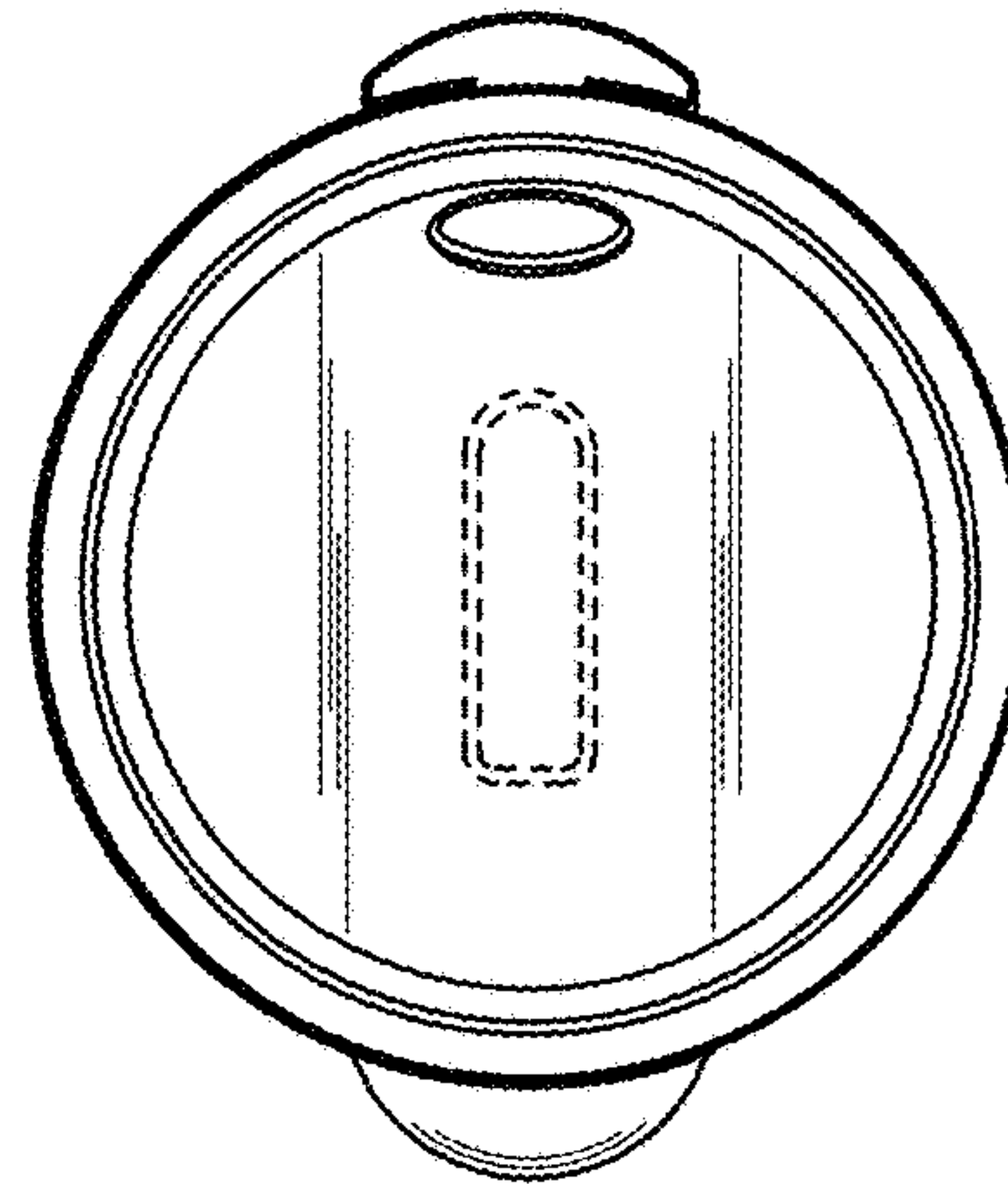


FIG. 17



FIG. 18



FIG. 19

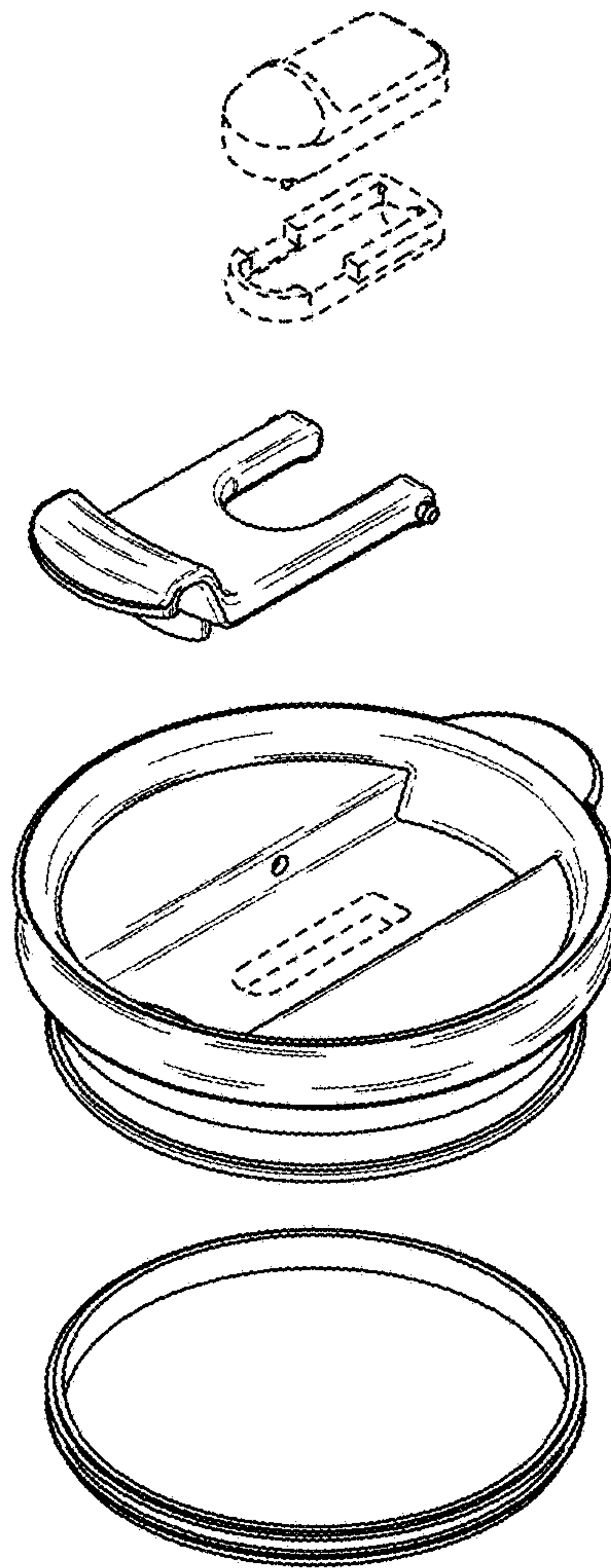


FIG. 20

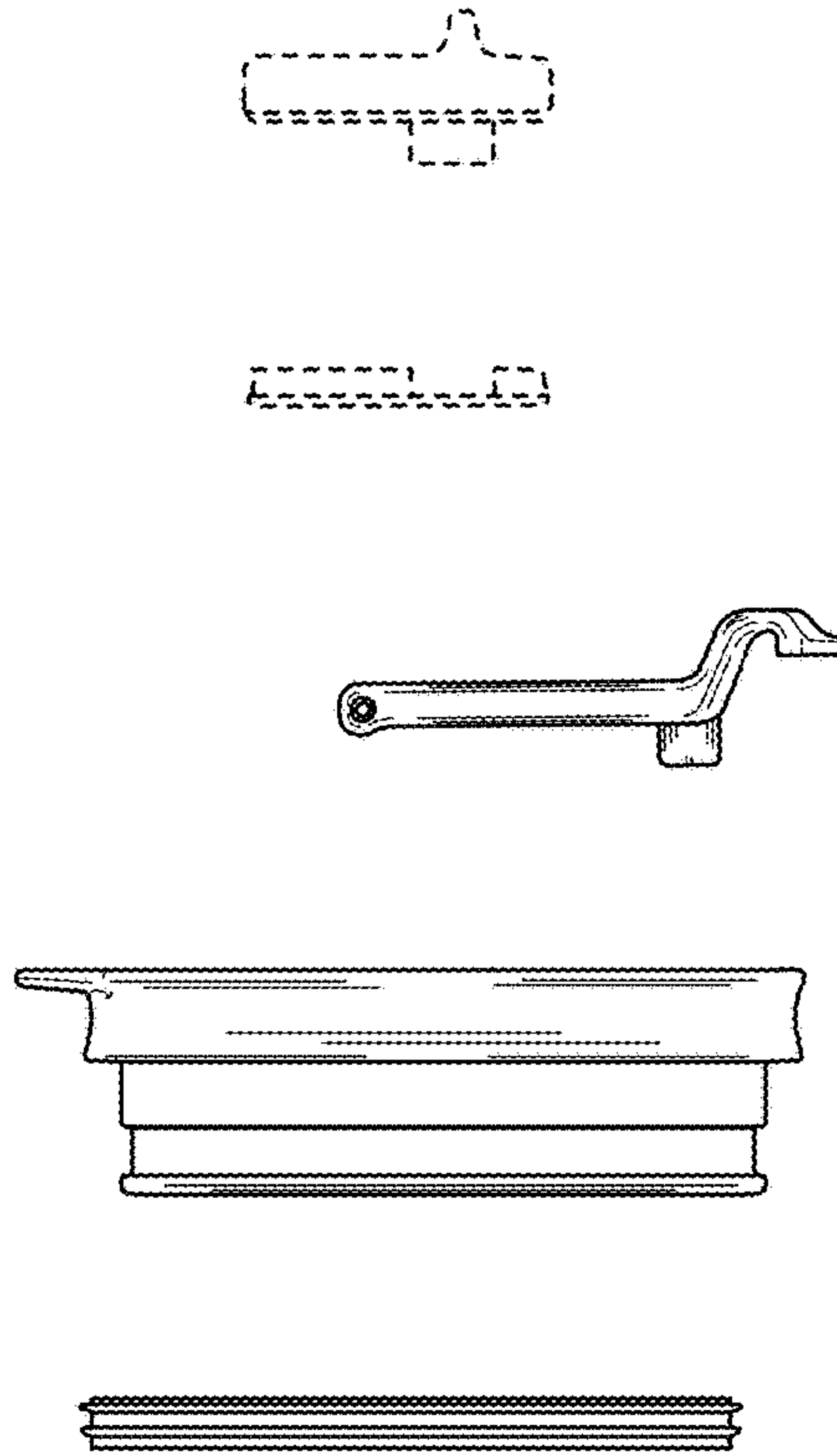


FIG. 21

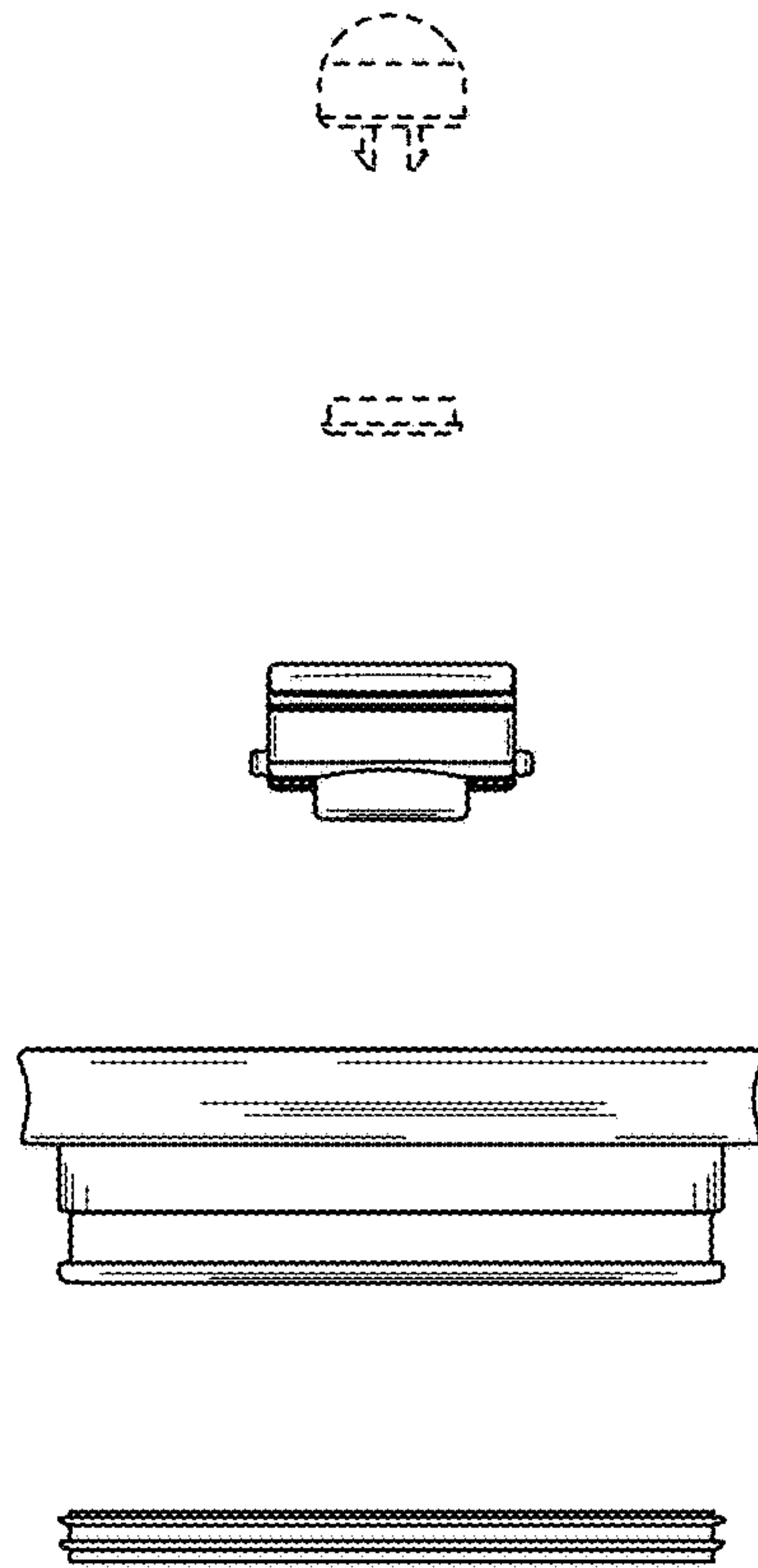


FIG. 22



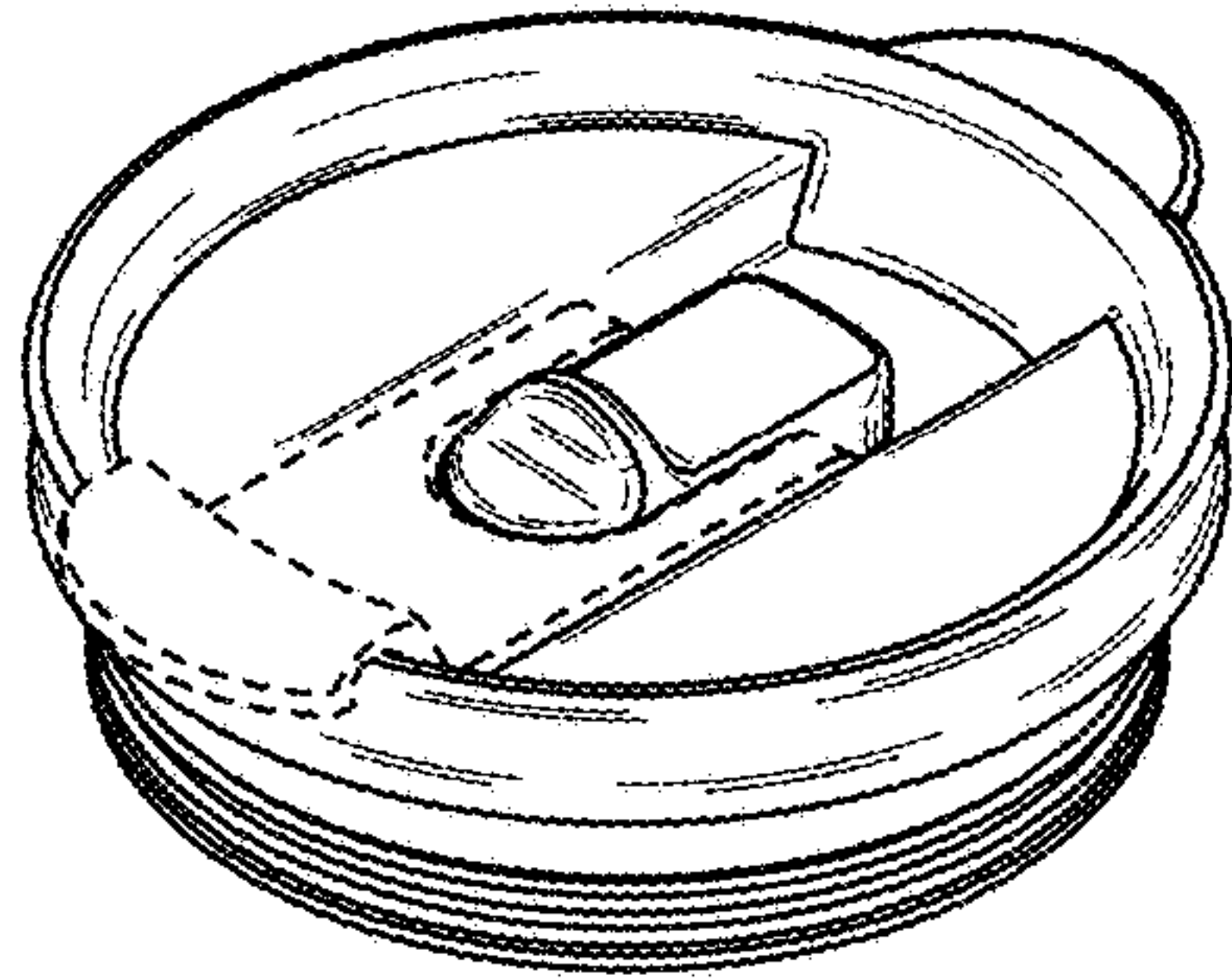


FIG. 23

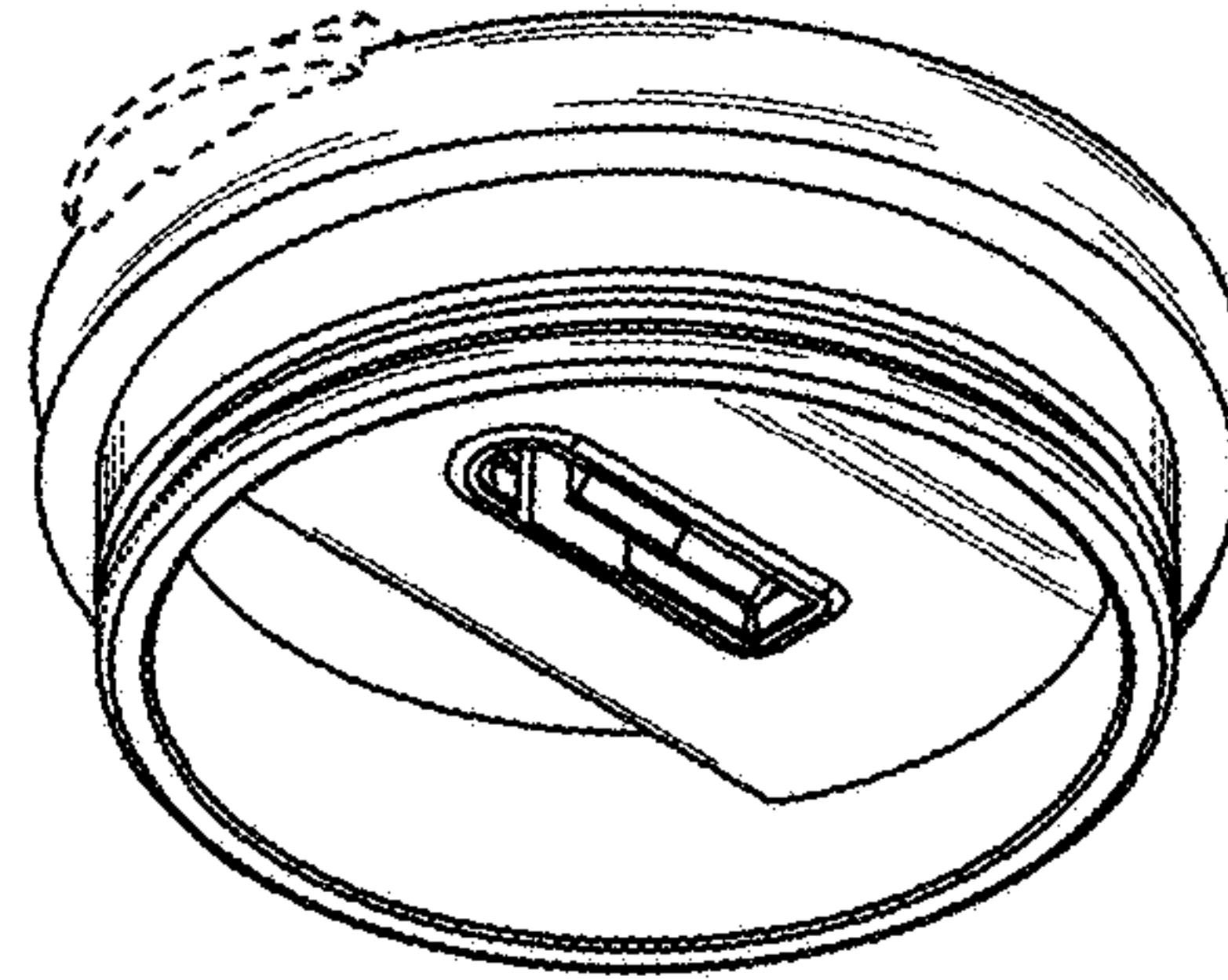


FIG. 24

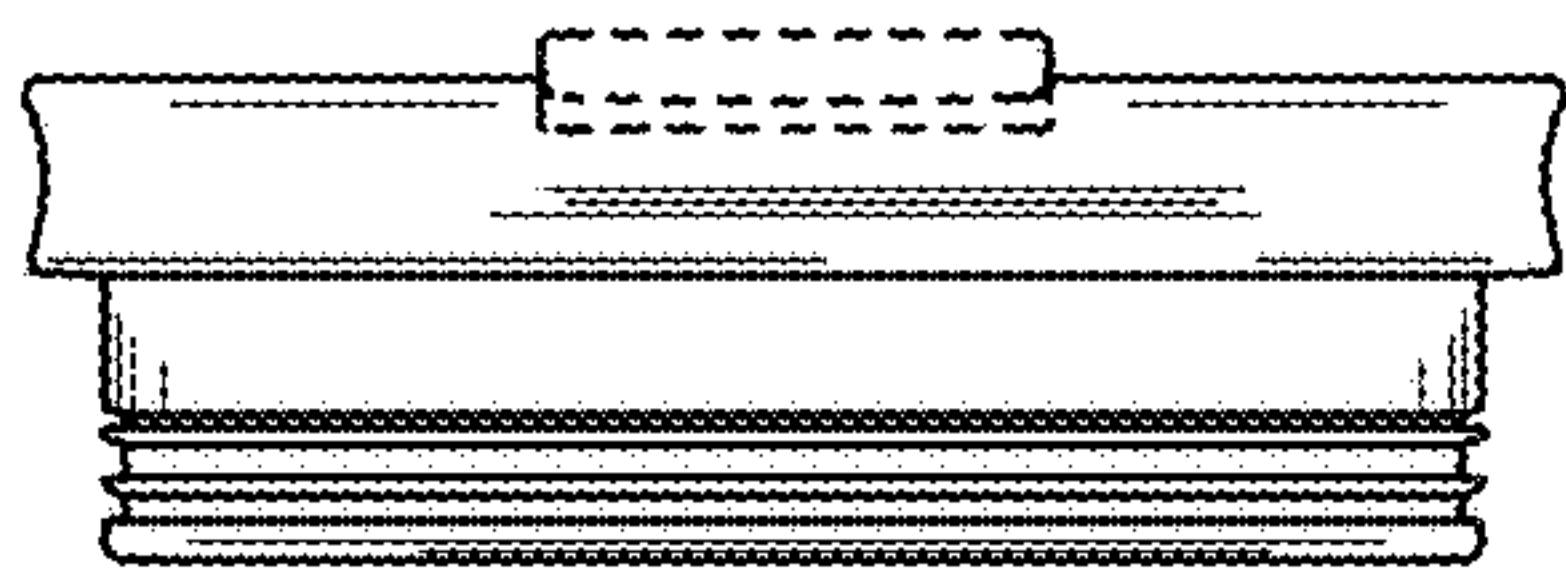


FIG. 25

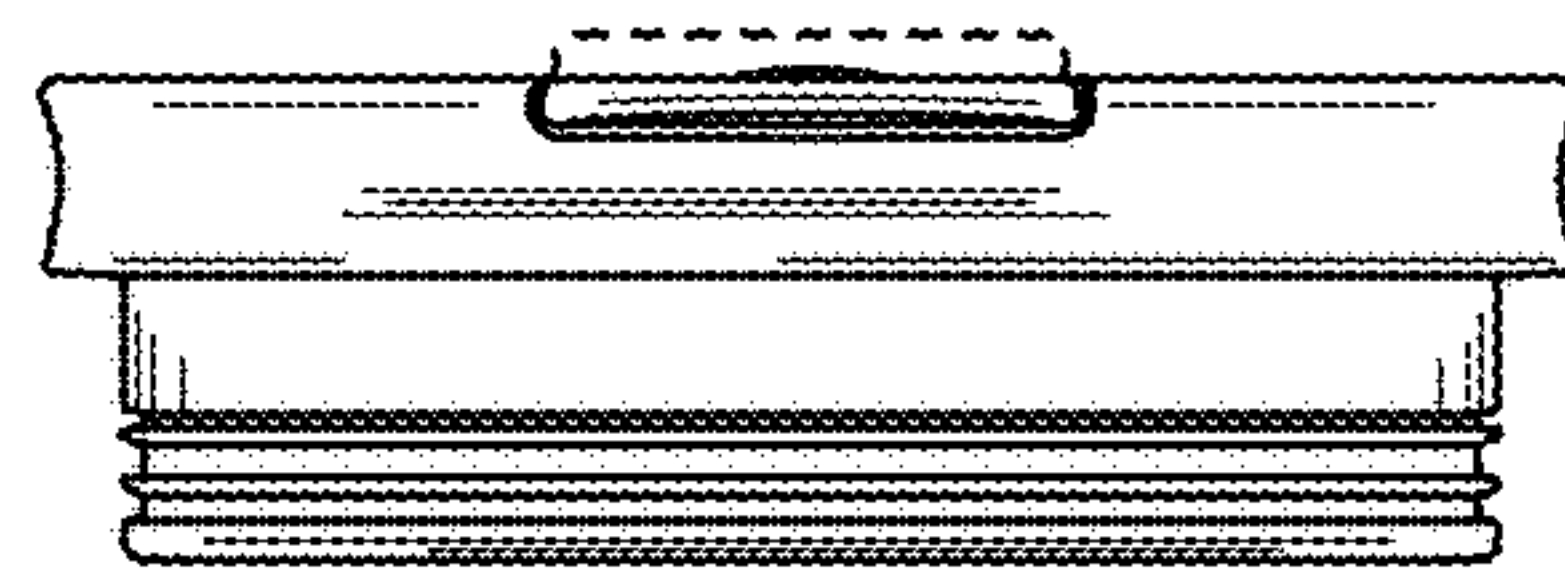


FIG. 26

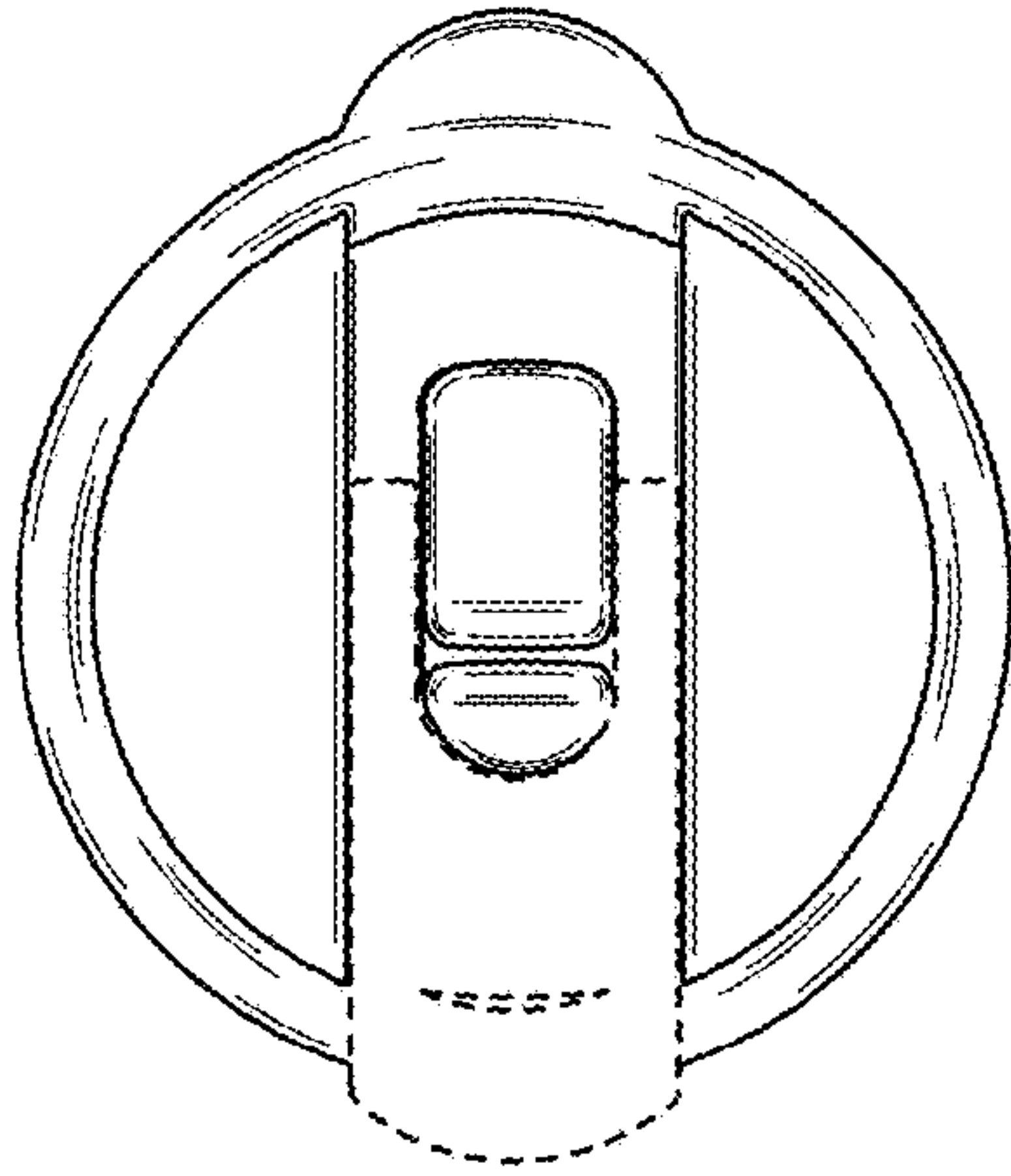


FIG. 27

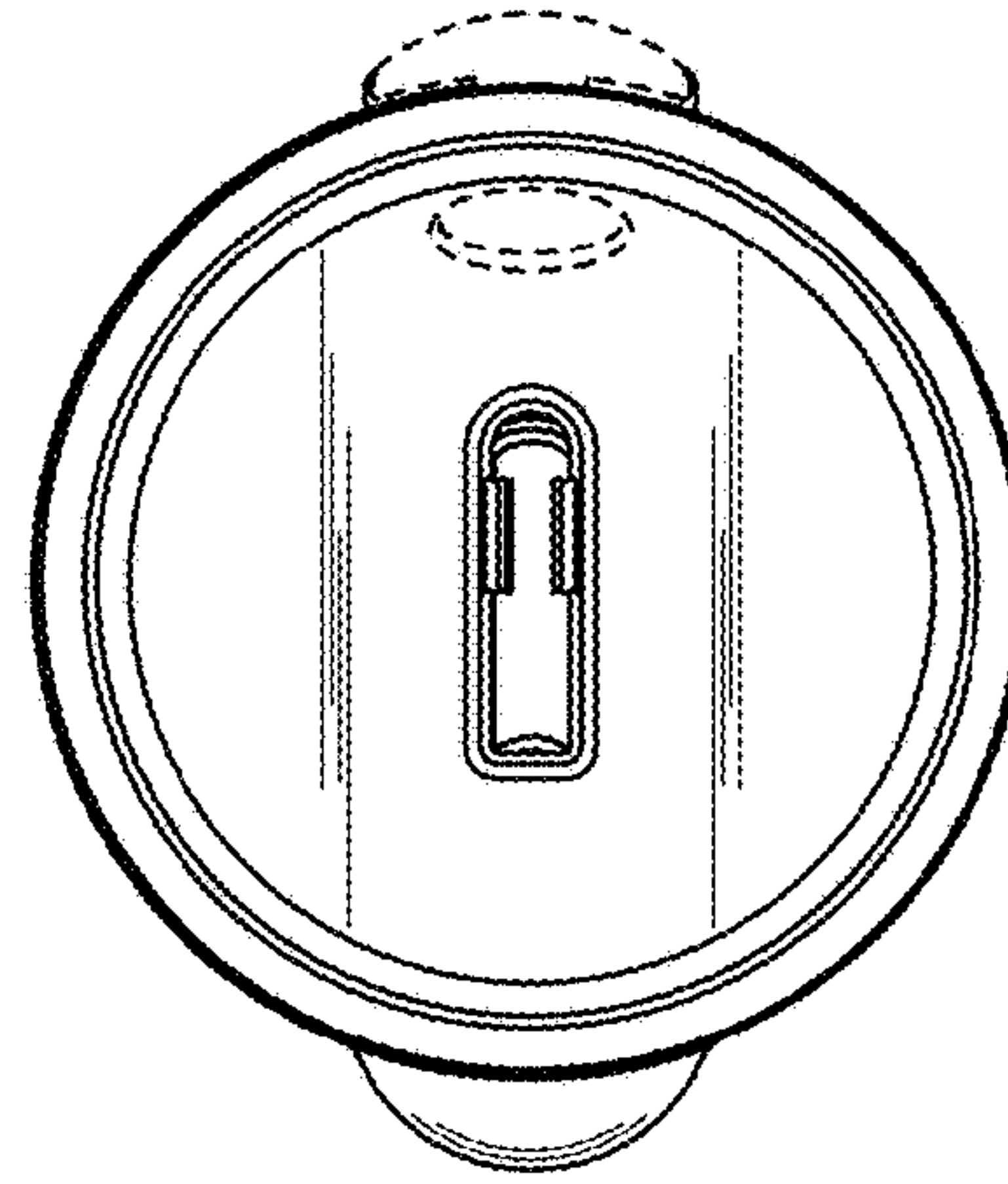


FIG. 28

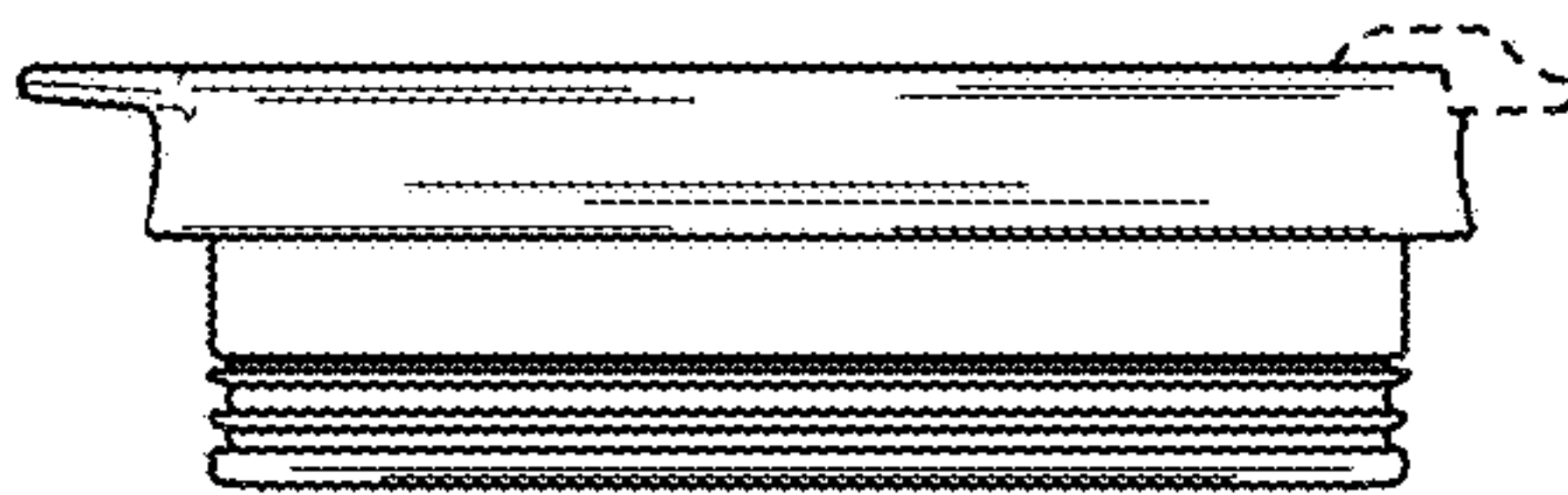


FIG. 29

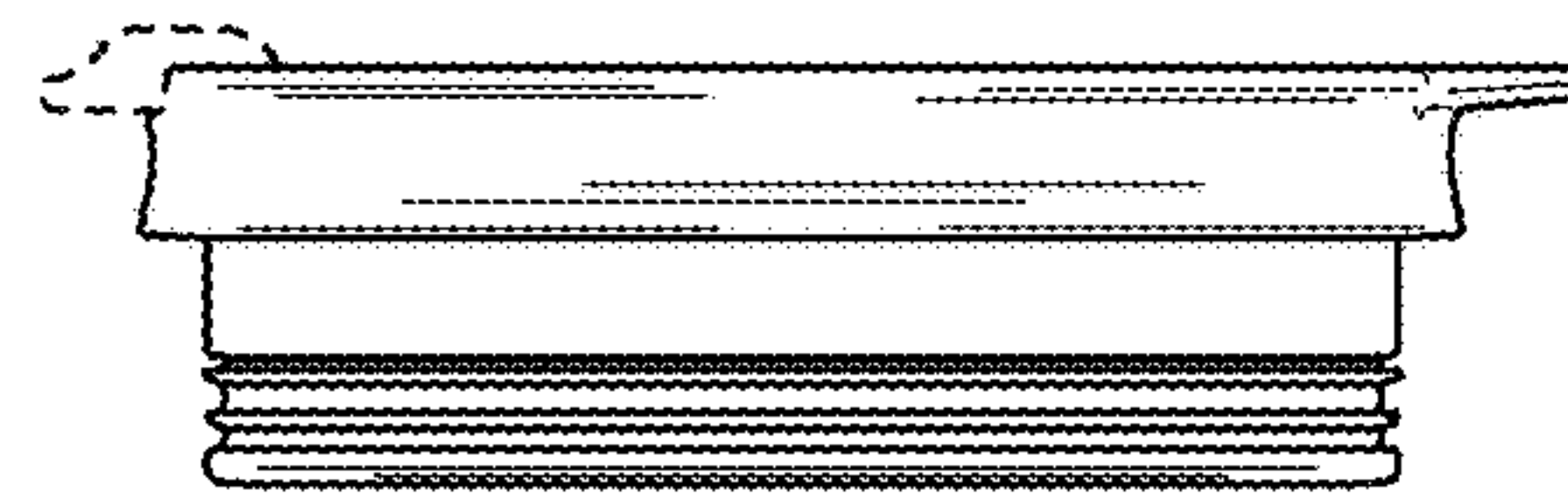


FIG. 30

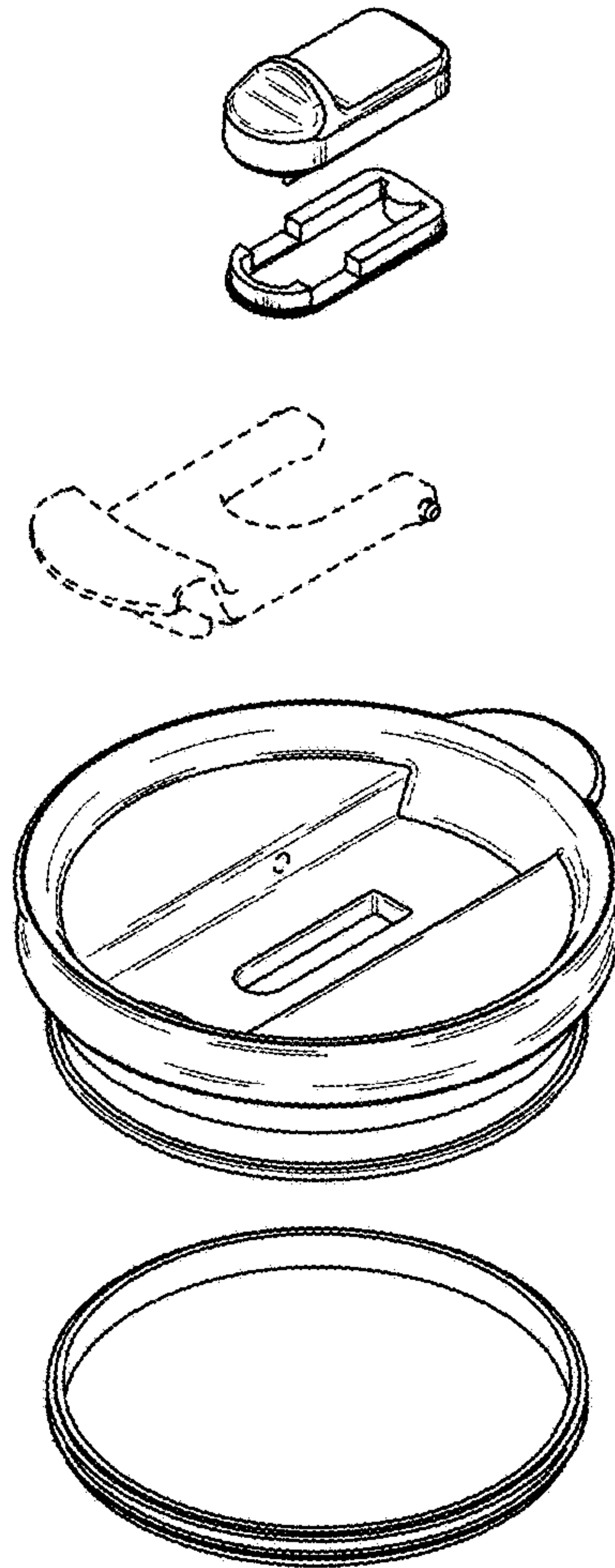
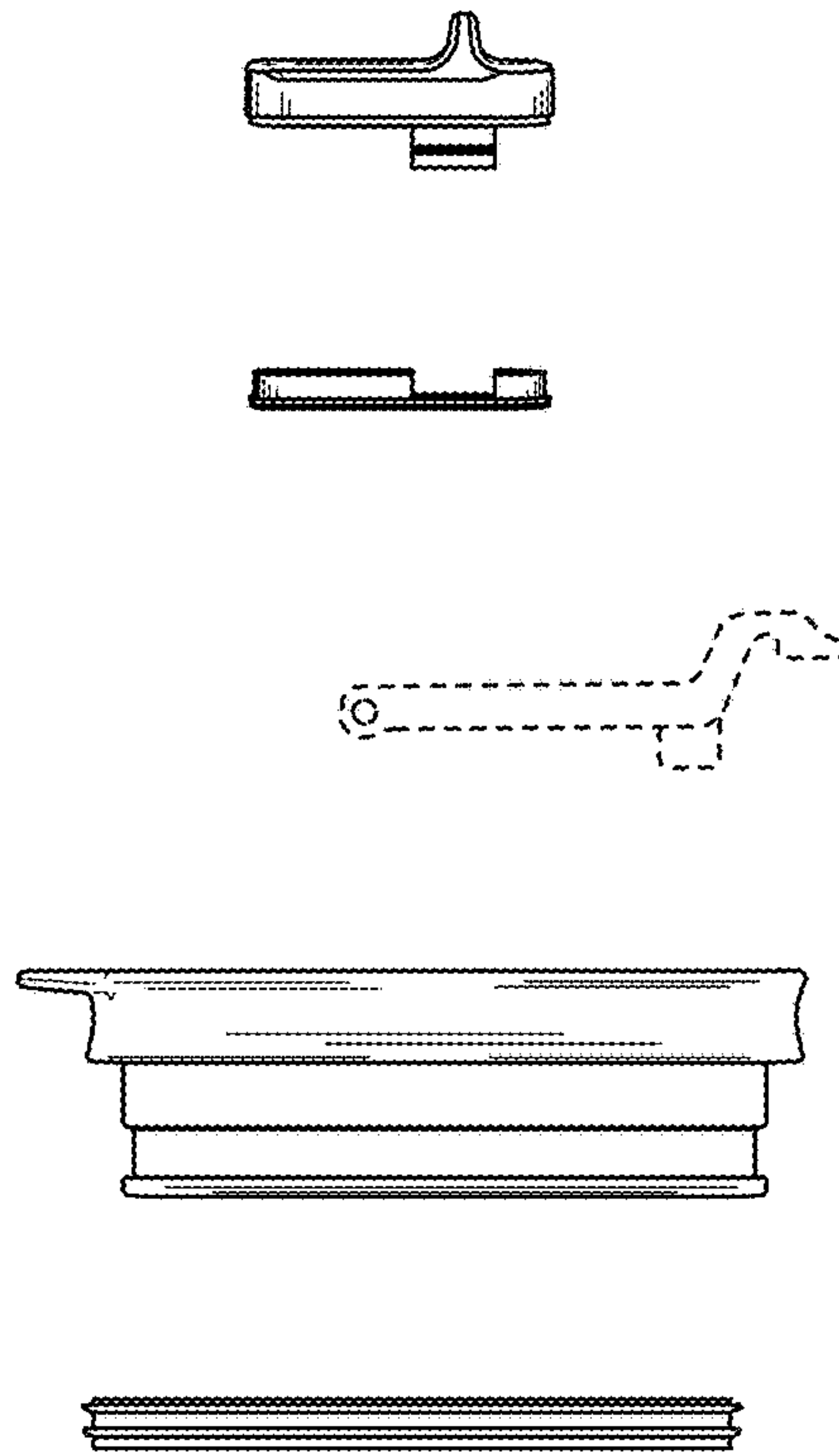


FIG. 31



**FIG. 32**



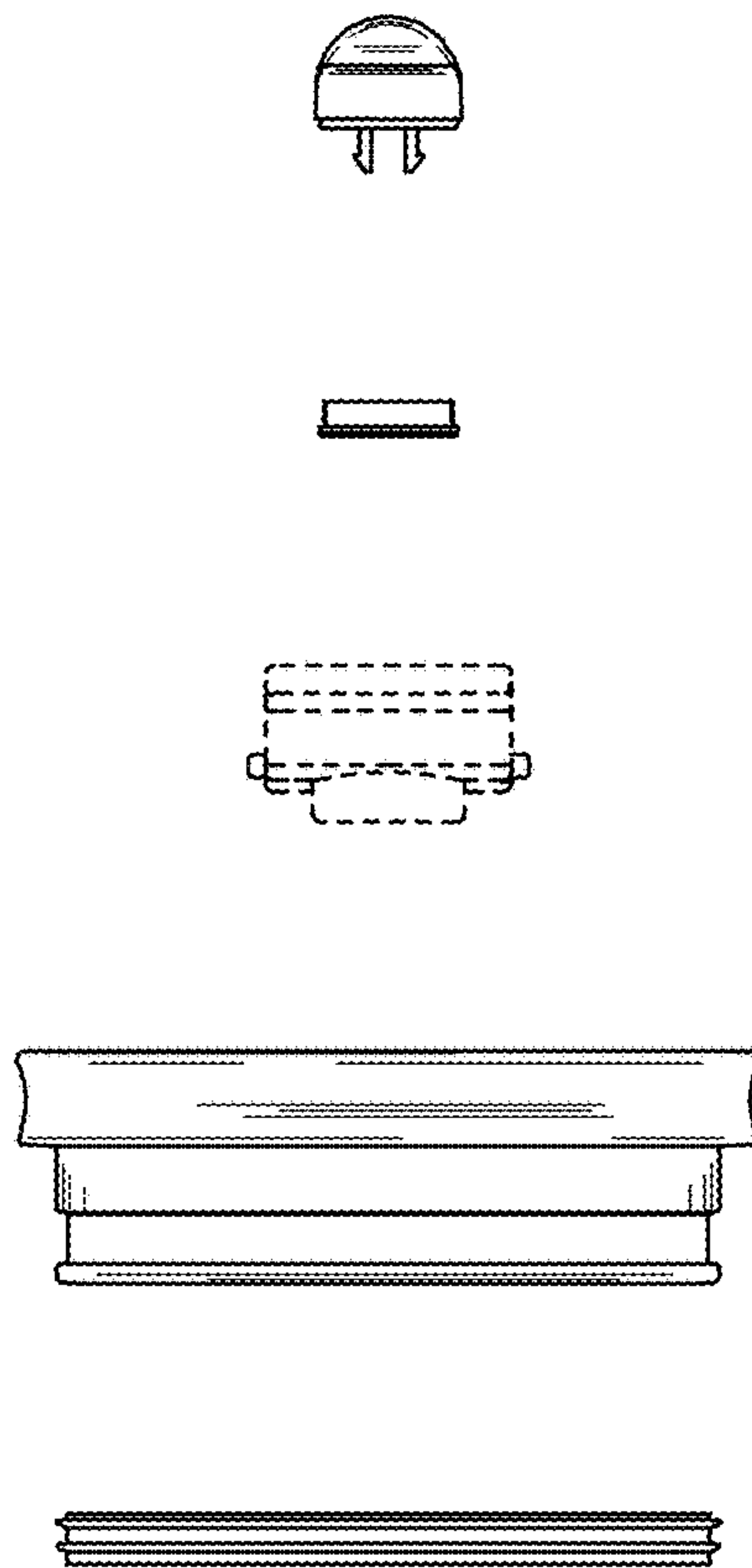


FIG. 33