



US00D867053S

(12) **United States Design Patent** (10) **Patent No.:** **US D867,053 S**
Lee et al. (45) **Date of Patent:** **** Nov. 19, 2019**

(54) **BLENDER BODY**

(71) Applicant: **LG Electronics Inc.**, Seoul (KR)

(72) Inventors: **Donghwan Lee**, Seoul (KR); **Joogyeon Kim**, Seoul (KR); **Jaecil Bae**, Seoul (KR); **Jaeseok Seong**, Seoul (KR); **Junghwan Lee**, Seoul (KR)

(73) Assignee: **LG Electronics Inc.**, Seoul (KR)

(**) Term: **15 Years**

(21) Appl. No.: **29/662,252**

(22) Filed: **Sep. 4, 2018**

Related U.S. Application Data

(63) Continuation of application No. 35/505,295 (U.S. filing date under 35 U.S.C. 384), and having an international filing date of Jan. 11, 2018.

(30) **Foreign Application Priority Data**

Jul. 12, 2017 (KR) 30-2017-0032107

(51) **LOC (12) Cl.** **31-00**

(52) **U.S. Cl.**
USPC **D7/386**; D7/376; D7/378

(58) **Field of Classification Search**
USPC D7/372, 376–386, 412–413, 602, 629, D7/665–666, 669, 679, 693–694
CPC A21C 1/02; A21C 1/04; A23N 1/00; A23N 1/02; A47J 43/04; A47J 43/25; A47J 43/27; A47J 43/042; A47J 43/044; A47J 43/046; A47J 43/075; A47J 43/0722; A47J 43/0727; B01F 3/00; B01F 3/0807; B01F 3/0853; B01F 13/0059; B01F 13/0064; B02C 1/08; B02C 2/04; B02C 4/42; B02C 4/142; B02C 4/143; B02C 4/423; B02C 13/1835; B28C 5/10; B28C 5/12; B28C 5/14; B28C 5/16
See application file for complete search history.

(56) **References Cited**

U.S. PATENT DOCUMENTS

D200,494 S *	3/1965	Bezark	D7/378
D560,093 S *	1/2008	Verdun	D7/384
D711,682 S *	8/2014	Norland	D7/376
D747,135 S *	1/2016	Ha	D7/376
D759,424 S *	6/2016	Ou	D7/376
D761,617 S *	7/2016	Dennisur	D7/376
D766,649 S *	9/2016	Suzuki	D7/376
D769,061 S *	10/2016	Diderotto	D7/376
D794,381 S *	8/2017	McConnell	D7/376
D801,109 S *	10/2017	Lee	D7/386
D815,887 S *	4/2018	Huang	D7/378
D828,080 S *	9/2018	Ou	D7/376
D844,374 S *	4/2019	McConnell	D7/386

* cited by examiner

Primary Examiner — Ricky Pham

(74) *Attorney, Agent, or Firm* — Birch, Stewart, Kolasch & Birch, LLP

(57) **CLAIM**

The ornamental design for a blender body, as shown and described.

DESCRIPTION

FIG. 1 is a front, right side, perspective view of a blender body showing our new design;
FIG. 2 is a front view thereof;
FIG. 3 is a rear view thereof;
FIG. 4 is a left side view thereof;
FIG. 5 is a right side view thereof;
FIG. 6 is a top view thereof;
FIG. 7 is a bottom view thereof; and,
FIG. 8 is a reference view in a use state thereof.
The broken lines shown in the figures depict portions of the blender body that form no part of the claimed design.

1 Claim, 5 Drawing Sheets

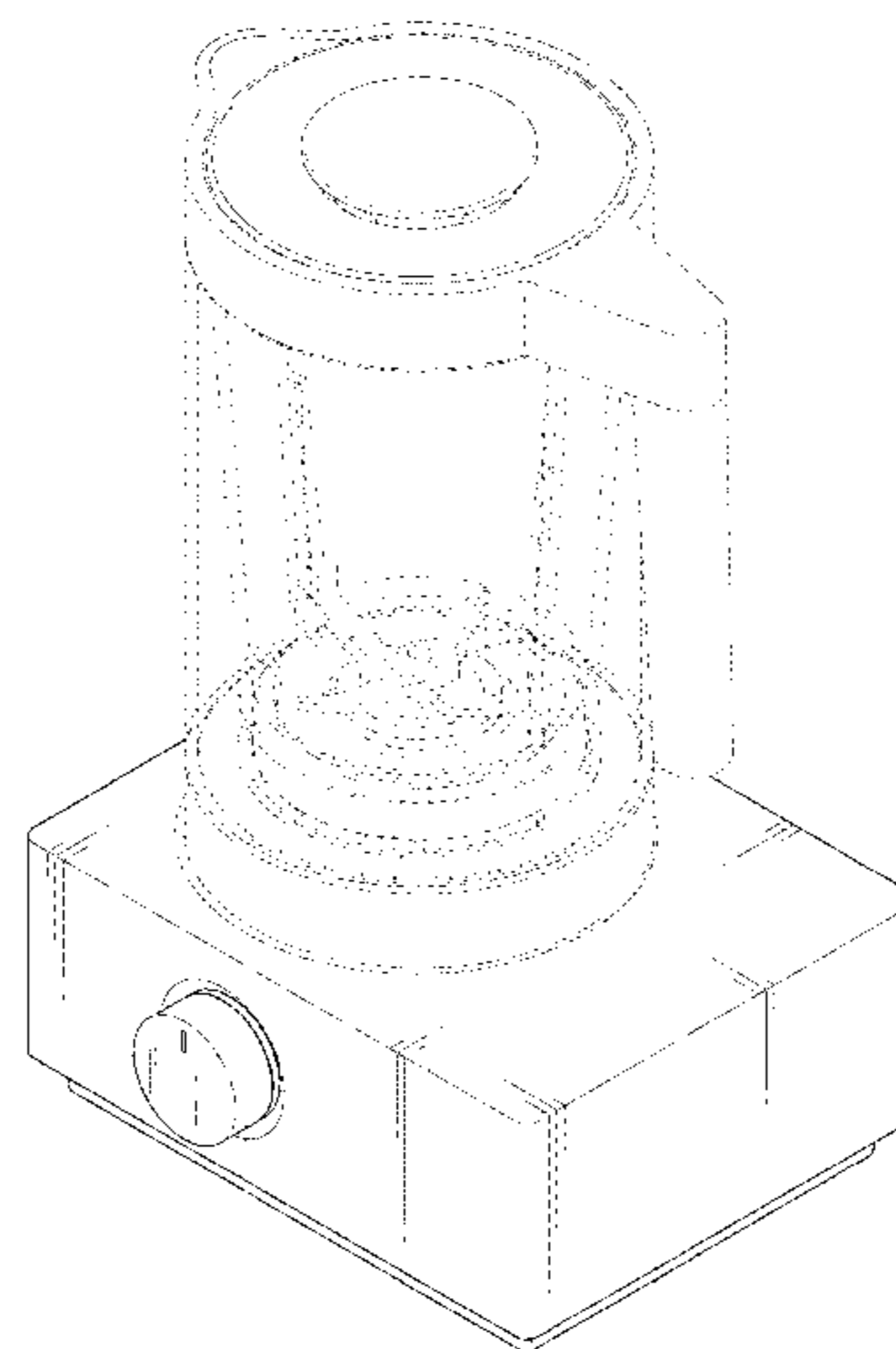
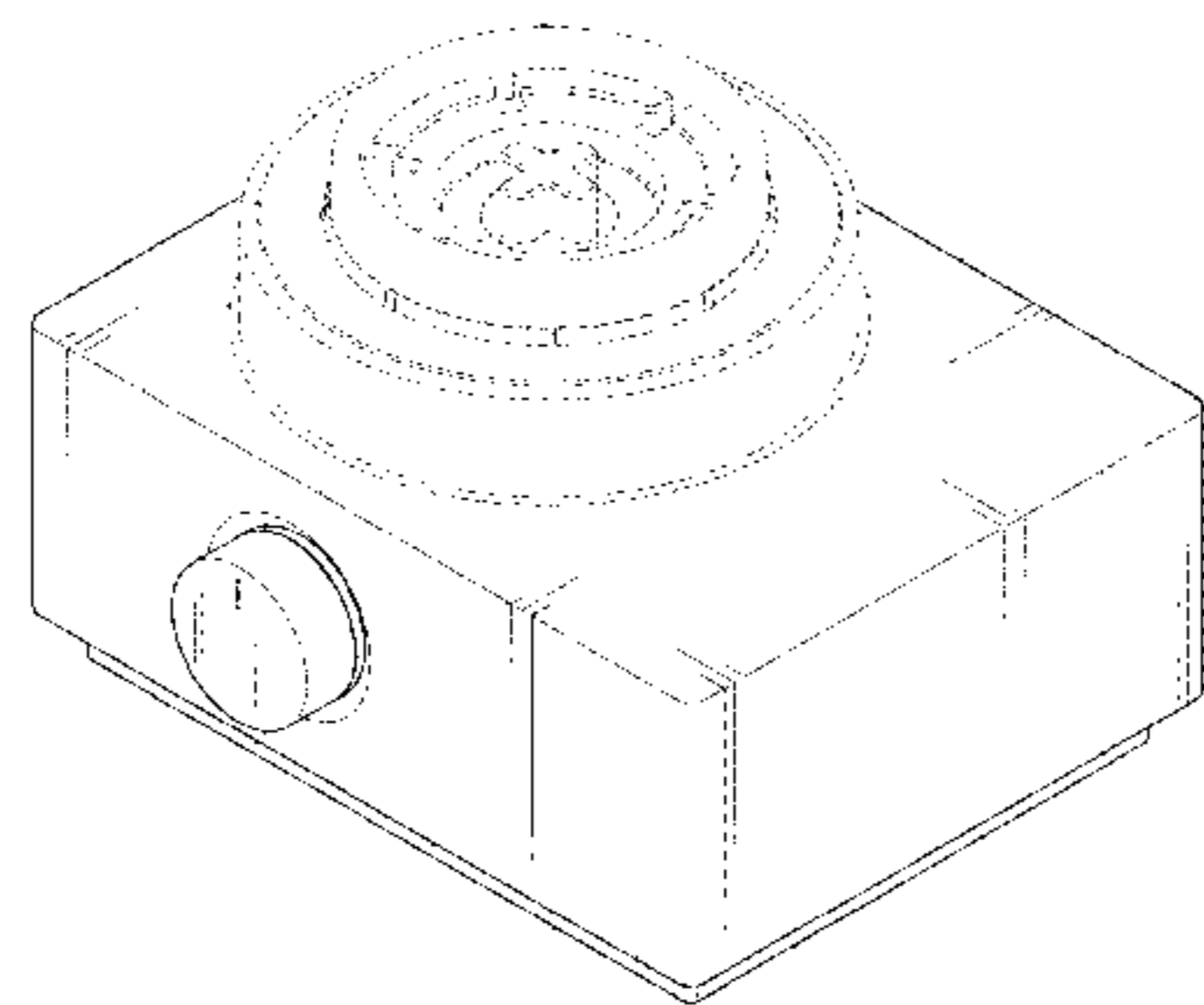


FIG. 1

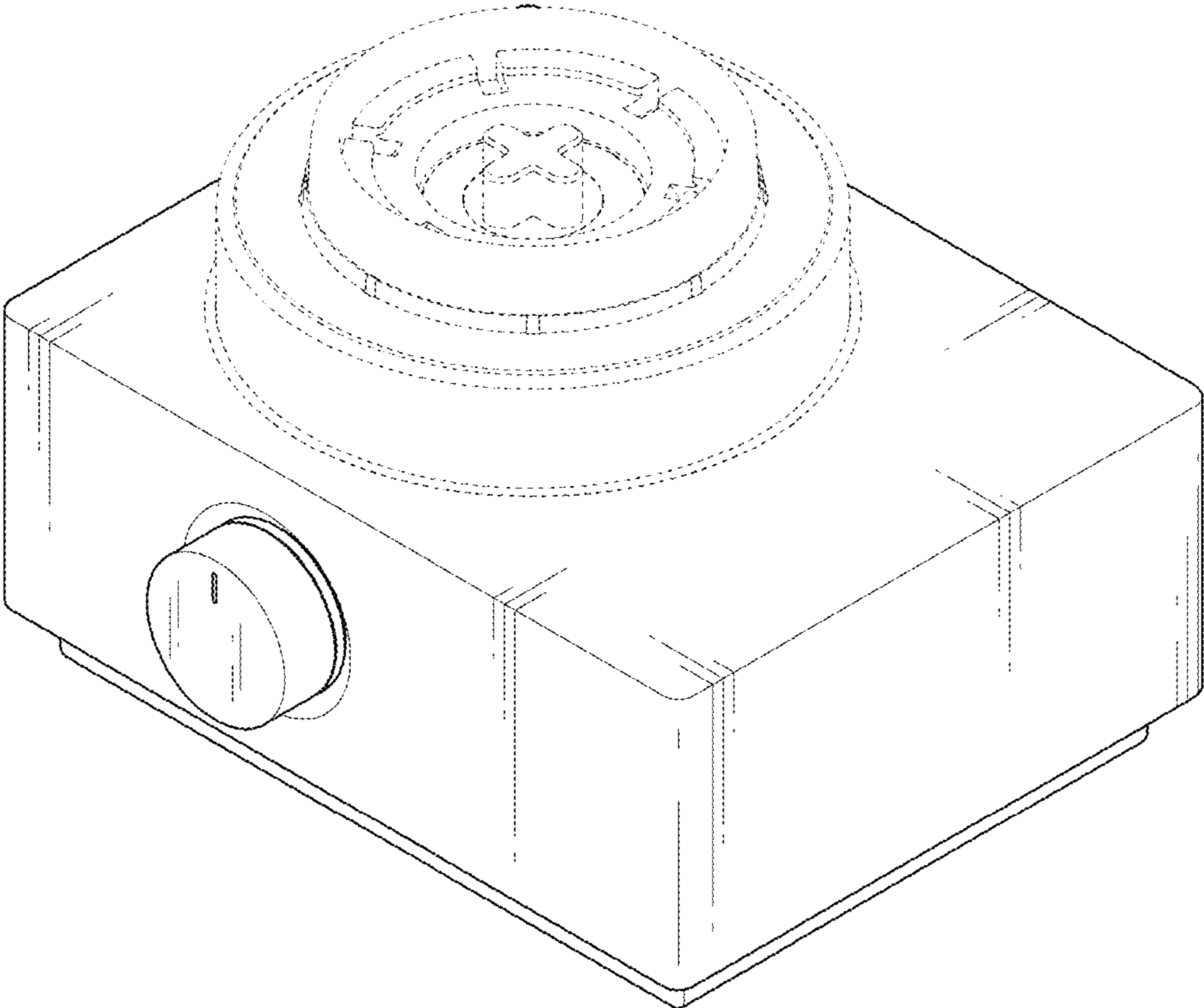


FIG. 2

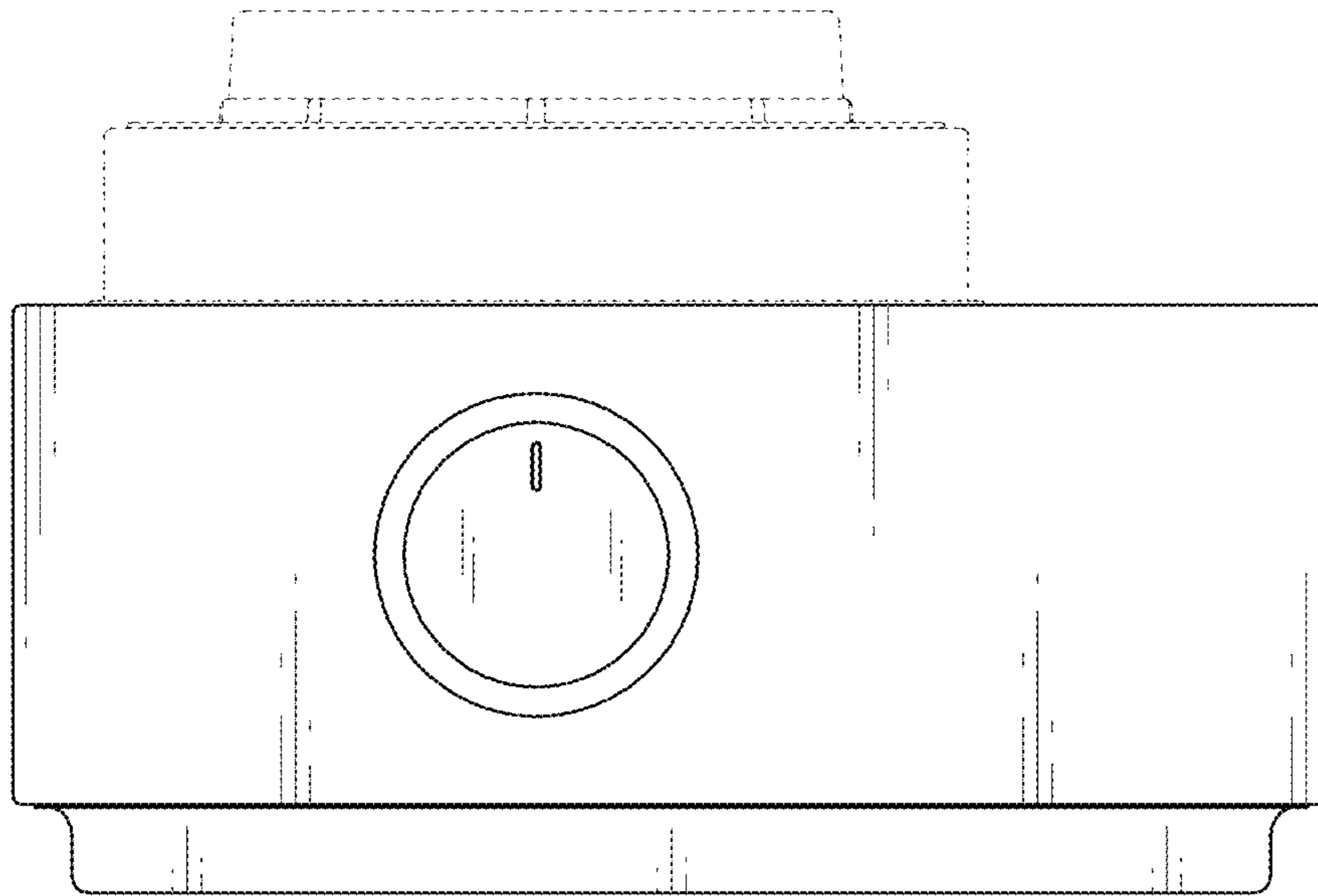


FIG. 3

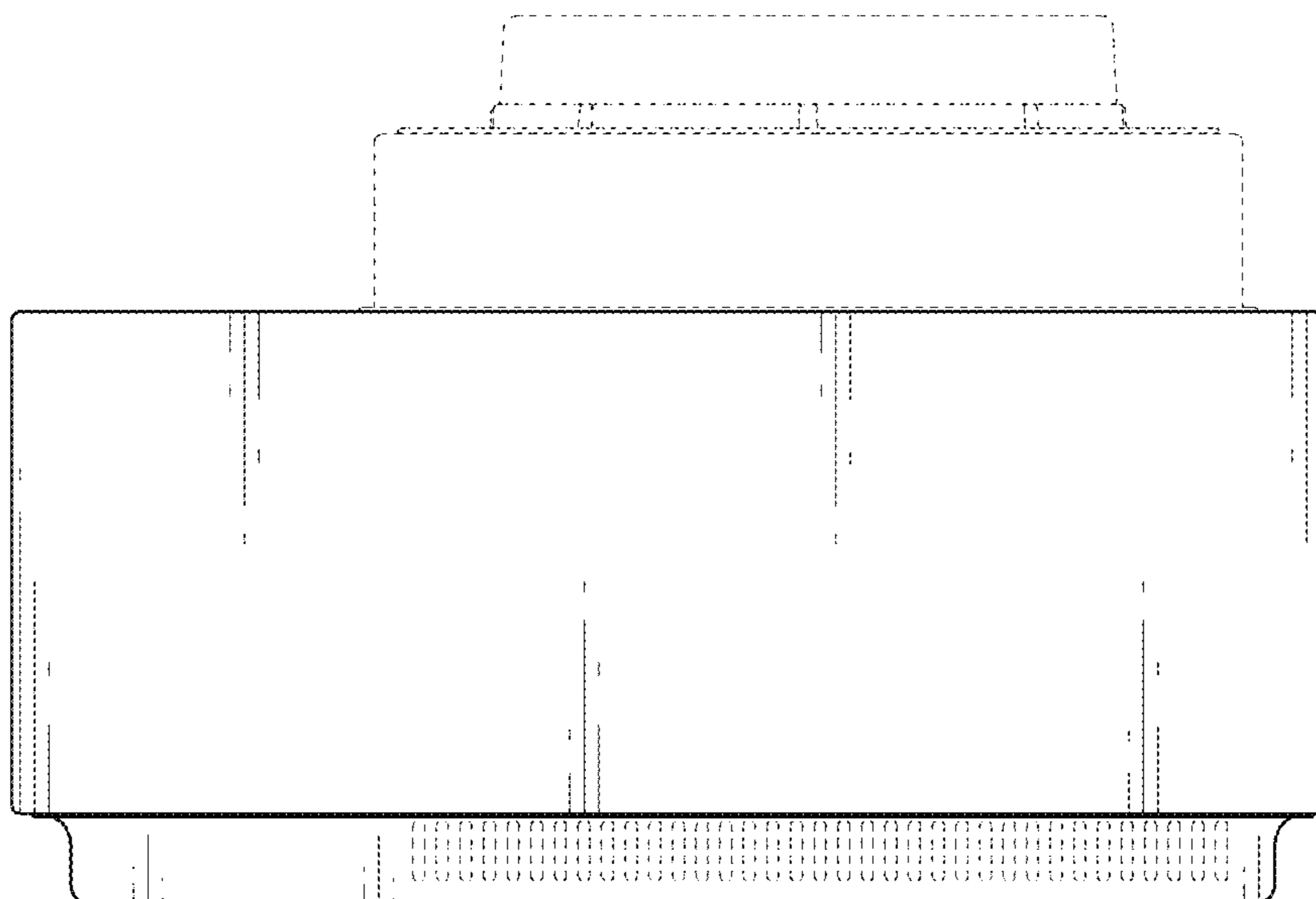


FIG. 4

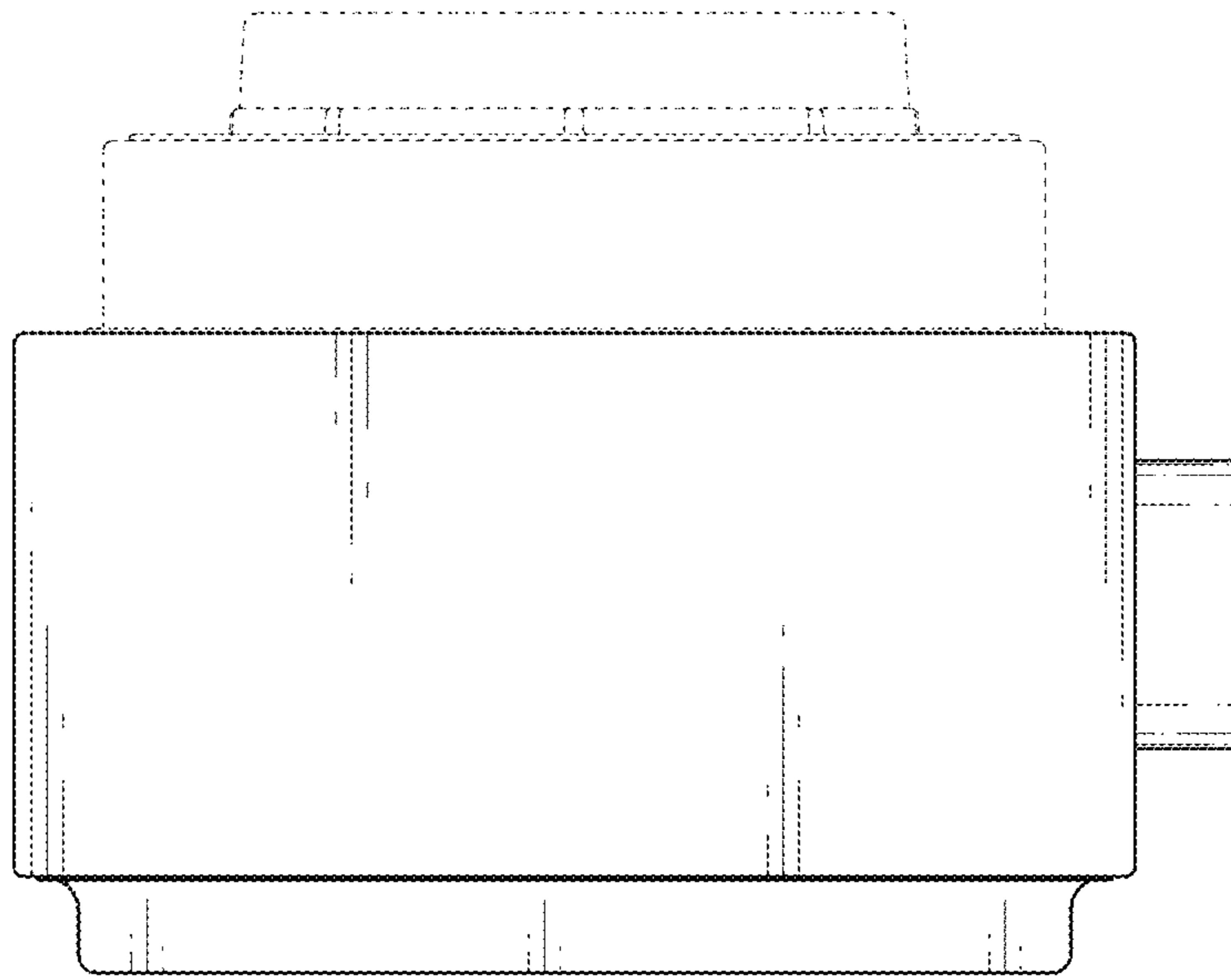


FIG. 5

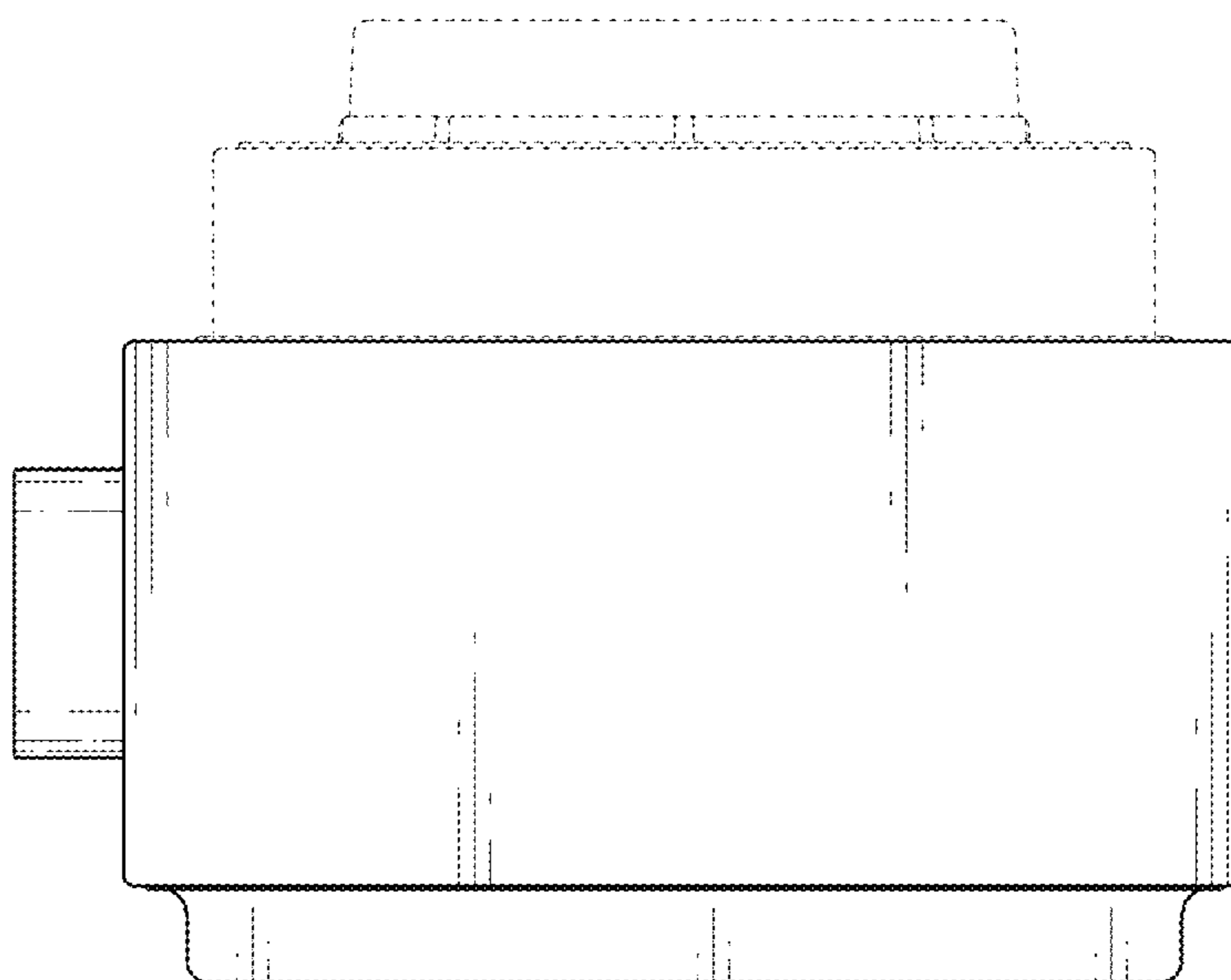


FIG. 6

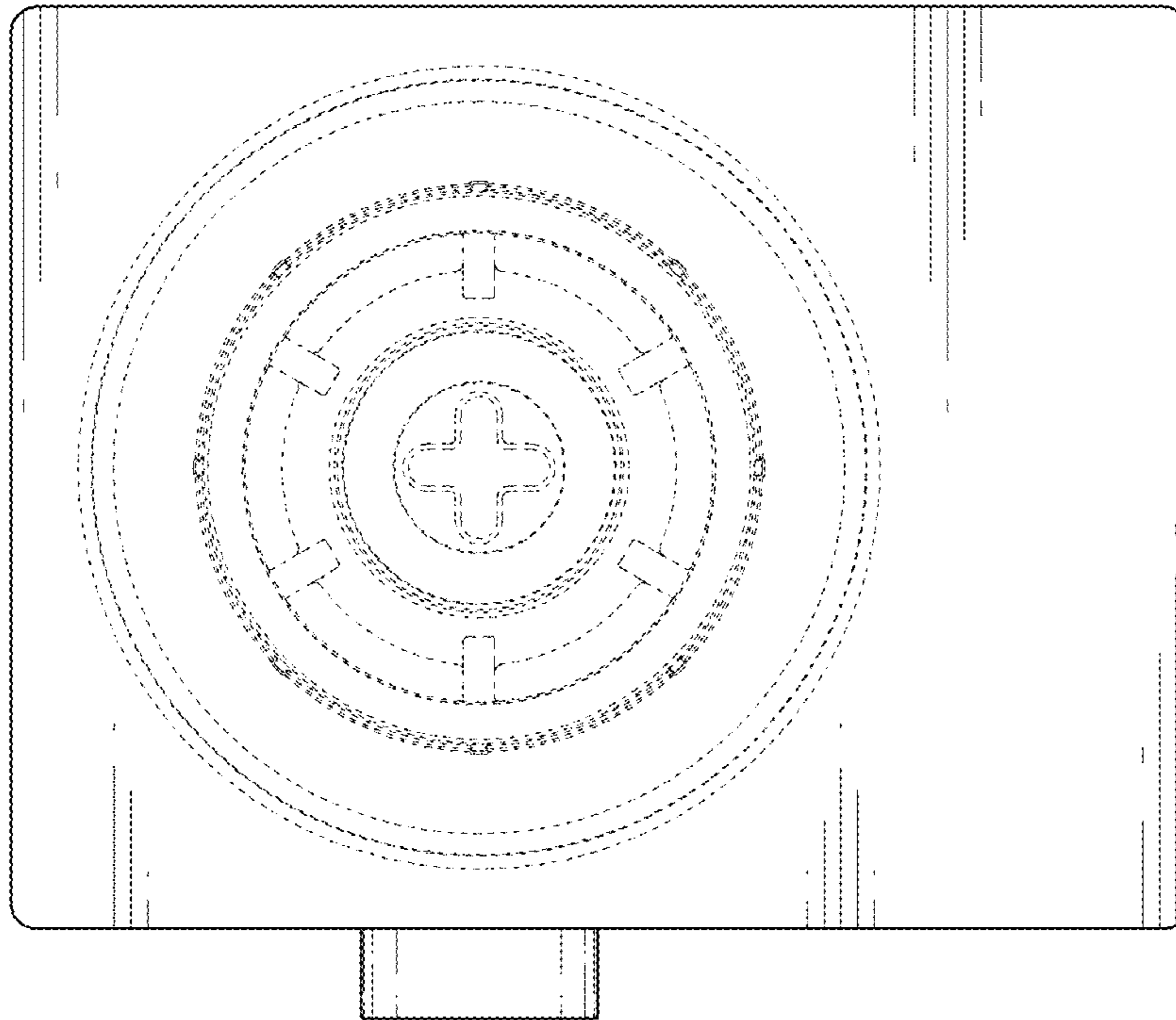


FIG. 7

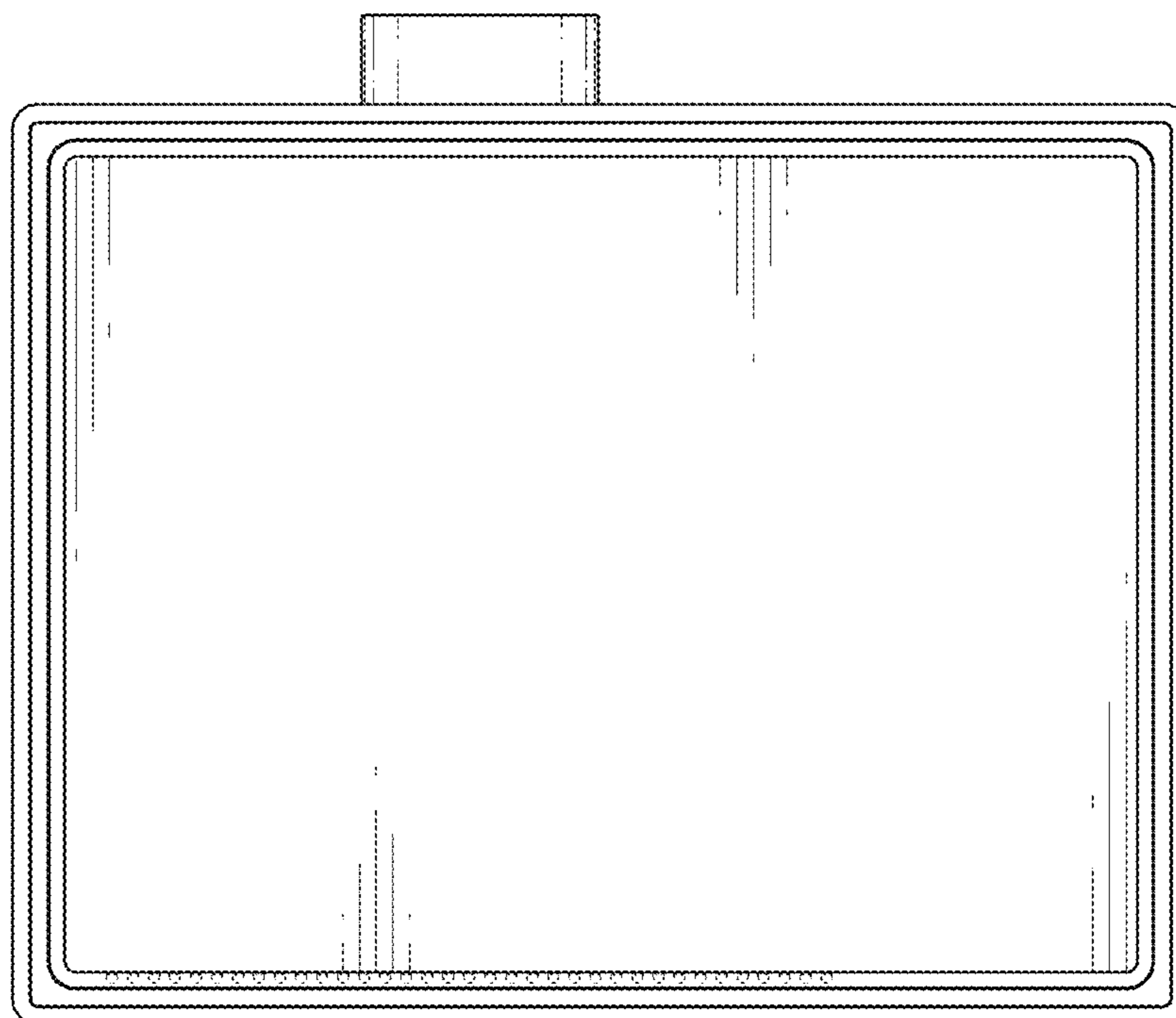


FIG. 8

