



US00D867052S

(12) **United States Design Patent**
Du

(10) **Patent No.: US D867,052 S**

(45) **Date of Patent: ** *Nov. 19, 2019**

- (54) **MILK FROTHER**
- (71) Applicant: **NINGBO PAILITE ELECTRONICS CO., LTD**, Ningbo (CN)
- (72) Inventor: **Dongnan Du**, Ningbo (CN)
- (73) Assignee: **NINGBO PAILITE ELECTRONICS CO., LTD**, Ningbo (CN)

- D394,367 S * 5/1998 Littmann D7/376
- D421,872 S * 3/2000 Wong D7/376
- D452,111 S * 12/2001 Lane A47J 43/0711
D7/376
- D453,664 S * 2/2002 Brady D7/379
- D476,523 S * 7/2003 Bodum D7/379
- D485,729 S * 1/2004 Patton D7/376
- D490,647 S * 6/2004 Buesching D7/379
- D493,330 S * 7/2004 Lane D7/376
- D500,631 S * 1/2005 Ranzoni D7/376
- D530,976 S * 10/2006 Parkinson D7/379
- D651,041 S * 12/2011 Bachmann D7/376
- D726,496 S * 4/2015 Vu D7/376
- D751,858 S * 3/2016 Zhang D7/378
- D758,788 S * 6/2016 Suzuki D7/376
- D796,255 S * 9/2017 Vu D7/376
- D798,652 S * 10/2017 Muller D7/380

- (*) Notice: This patent is subject to a terminal disclaimer.
- (**) Term: **15 Years**

(21) Appl. No.: **29/630,938**

(22) Filed: **Dec. 23, 2017**

(51) **LOC (12) Cl.** **31-00**

(52) **U.S. Cl.**
USPC **D7/379**

(58) **Field of Classification Search**
USPC D7/306, 309, 372, 374, 376, 377, 378,
D7/379, 380, 381, 383, 384, 385, 386,
D7/412, 413, 598, 694

CPC .. A47J 43/04; A47J 43/25; A47J 43/27; A47J
43/042; A47J 43/044; A47J 43/046; A47J
43/075; A47J 43/0722; A47J 43/0727;
A47J 42/40; A21C 1/02; A21C 1/04;
A23G 9/045; A23N 1/00; A23N 1/02;
B01F 3/00; B01F 3/0807; B01F 3/0853;
B01F 13/0059; B01F 13/0064; B02C
1/08; B02C 2/04; B02C 4/42; B02C
4/142; B02C 4/143; B02C 4/423; B02C
13/1835; B28C 5/10; B28C 5/12; B28C
5/14; B28C 5/16

See application file for complete search history.

(56) **References Cited**

U.S. PATENT DOCUMENTS

- D118,224 S * 12/1939 Barnes et al. D7/379
- D121,299 S * 7/1940 Krebs D7/379

(Continued)

OTHER PUBLICATIONS

Milk Frother, no posting date © 1999-2019 [online], retrieved Jan. 15, 2019, retrieved from internet, <https://pailite.en.alibaba.com/productgroup/218751617/Milk_Frother.html>.*

(Continued)

Primary Examiner — Barbara Fox
Assistant Examiner — Messina L Smith

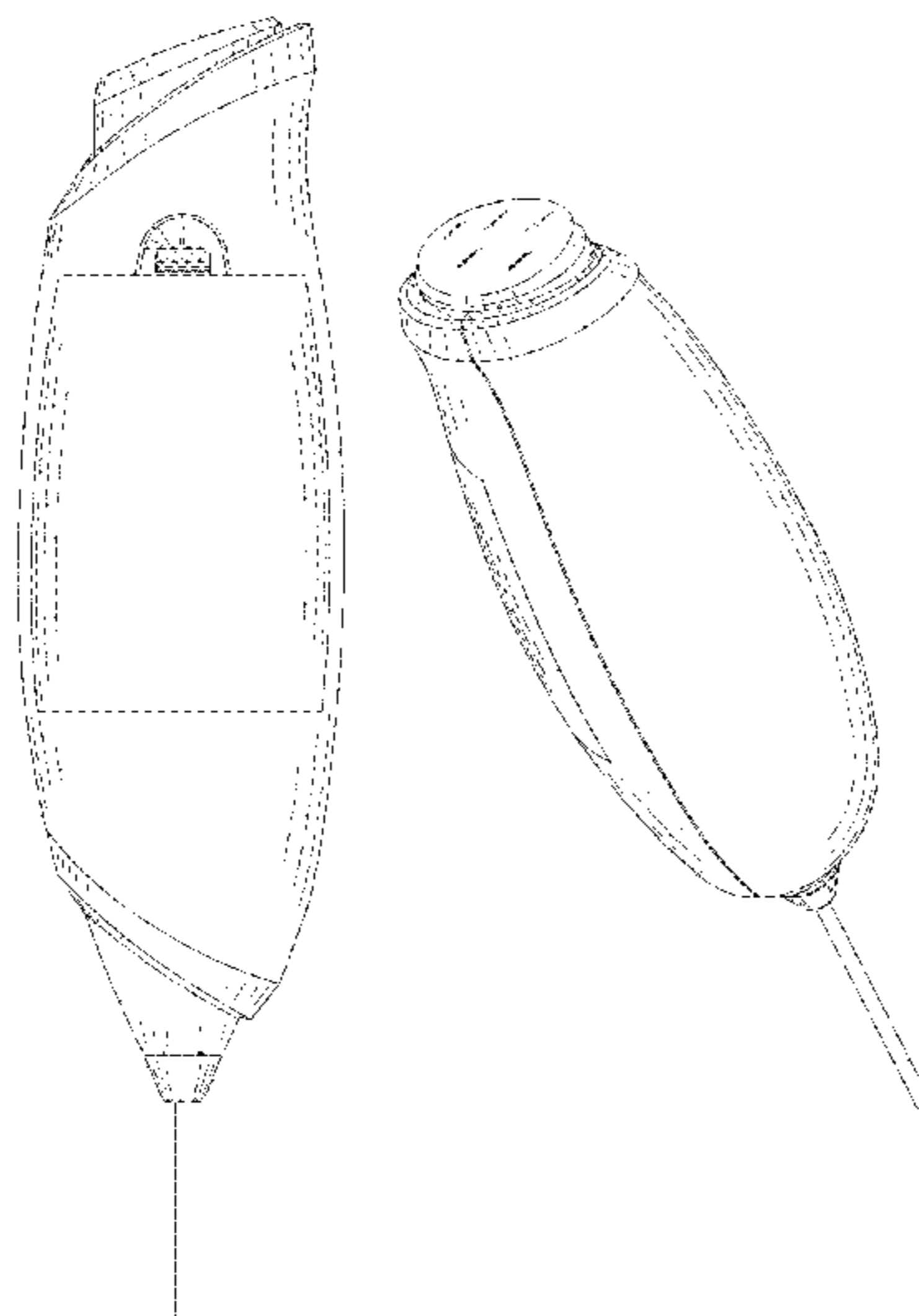
(57) **CLAIM**

The ornamental design for a milk frother, as shown and described.

DESCRIPTION

FIG. 1 is a front side view of a milk frother showing the new design;
FIG. 2 is a back side view thereof;
FIG. 3 is a left side view thereof;
FIG. 4 is a right side view thereof;
FIG. 5 is a top view thereof;
FIG. 6 is a bottom view thereof; and,
FIG. 7 is a perspective view thereof.

1 Claim, 7 Drawing Sheets



(56)

References Cited

U.S. PATENT DOCUMENTS

D805,345 S * 12/2017 Ho D7/380
D809,331 S * 2/2018 Blazquez D7/379
D812,421 S * 3/2018 Schaarschmidt D7/397
D837,585 S * 1/2019 Trueba Elorza D7/379

OTHER PUBLICATIONS

Milk Frother EP-568A, no posting date © 2010-2018 [online],
retrieved Jan. 15, 2019, retrieved from internet, <<https://www.pailite.com/milk-frother-ep-568a.html>>.*

* cited by examiner

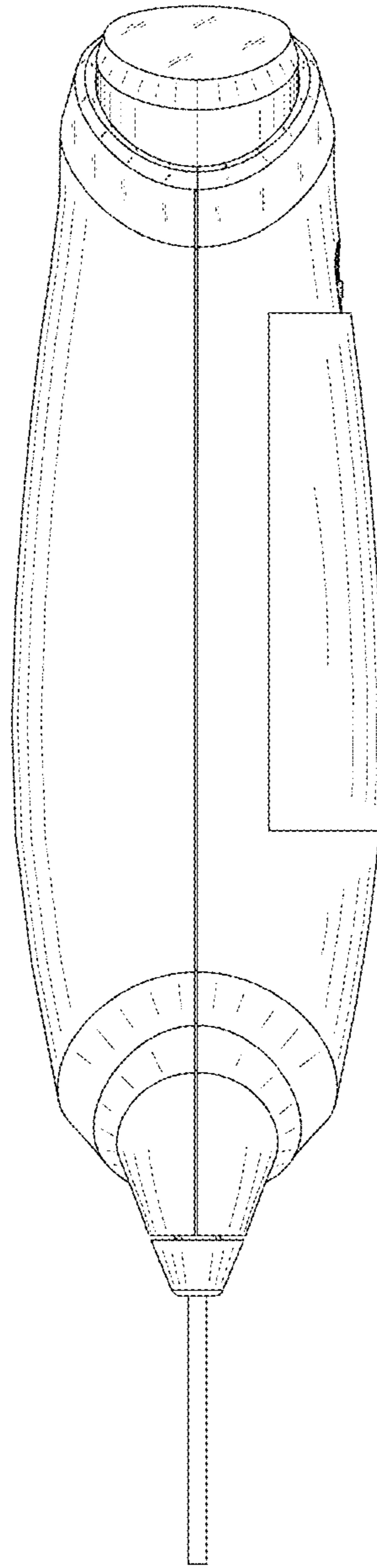


FIG .1

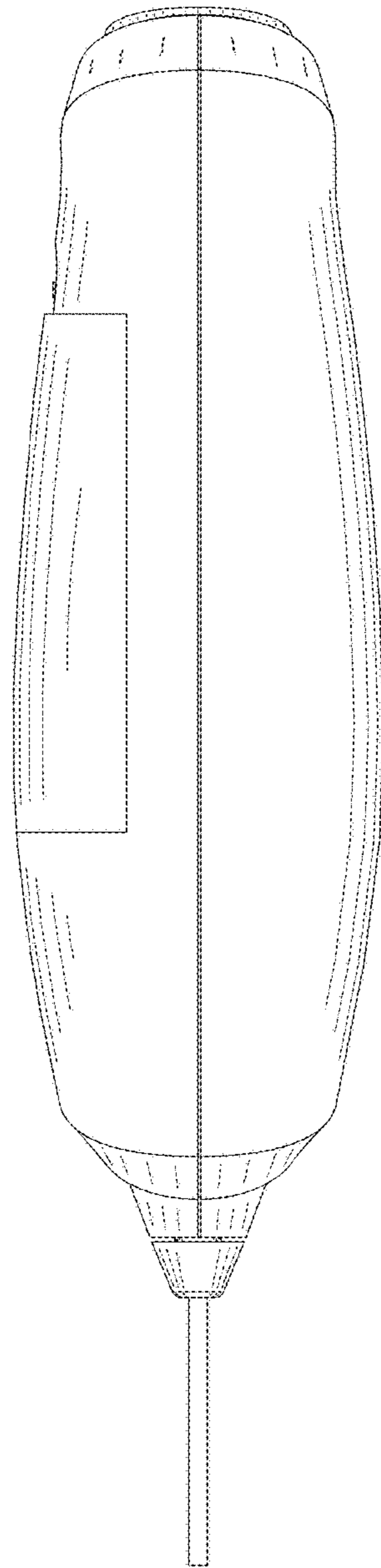


FIG .2

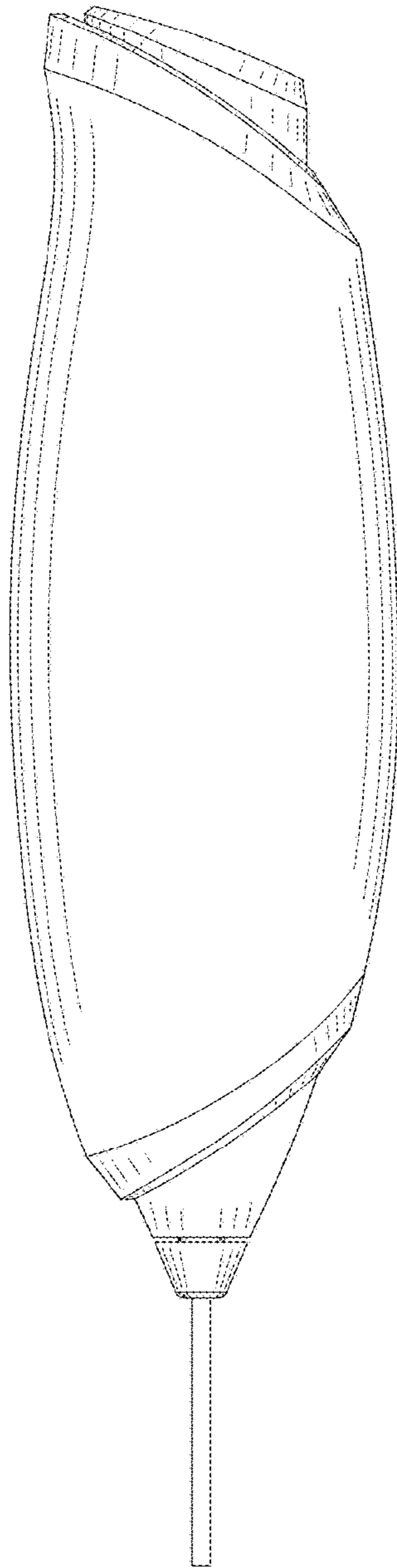


FIG .3

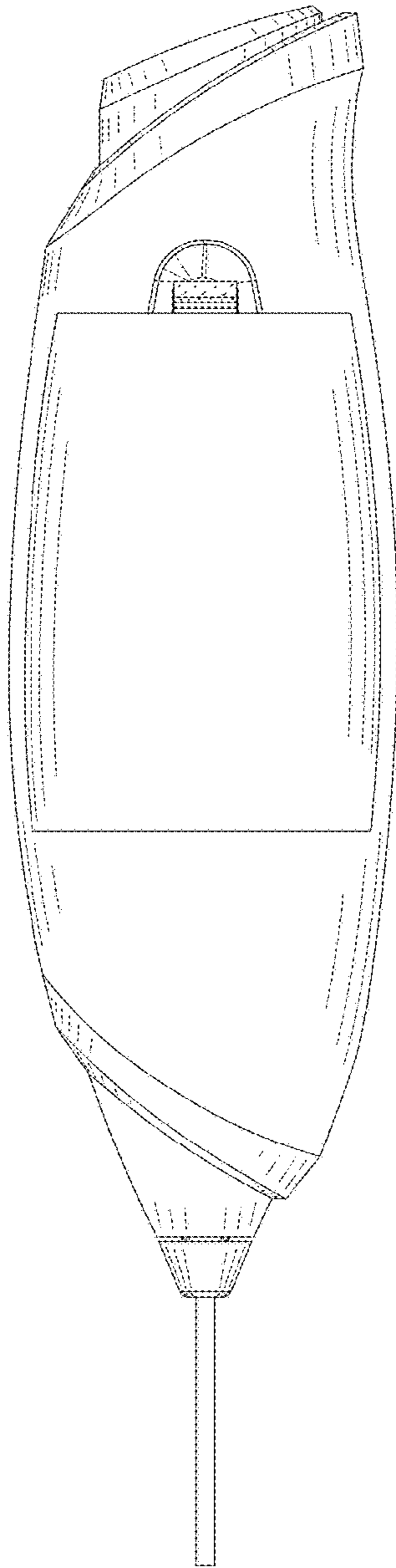


FIG. 4

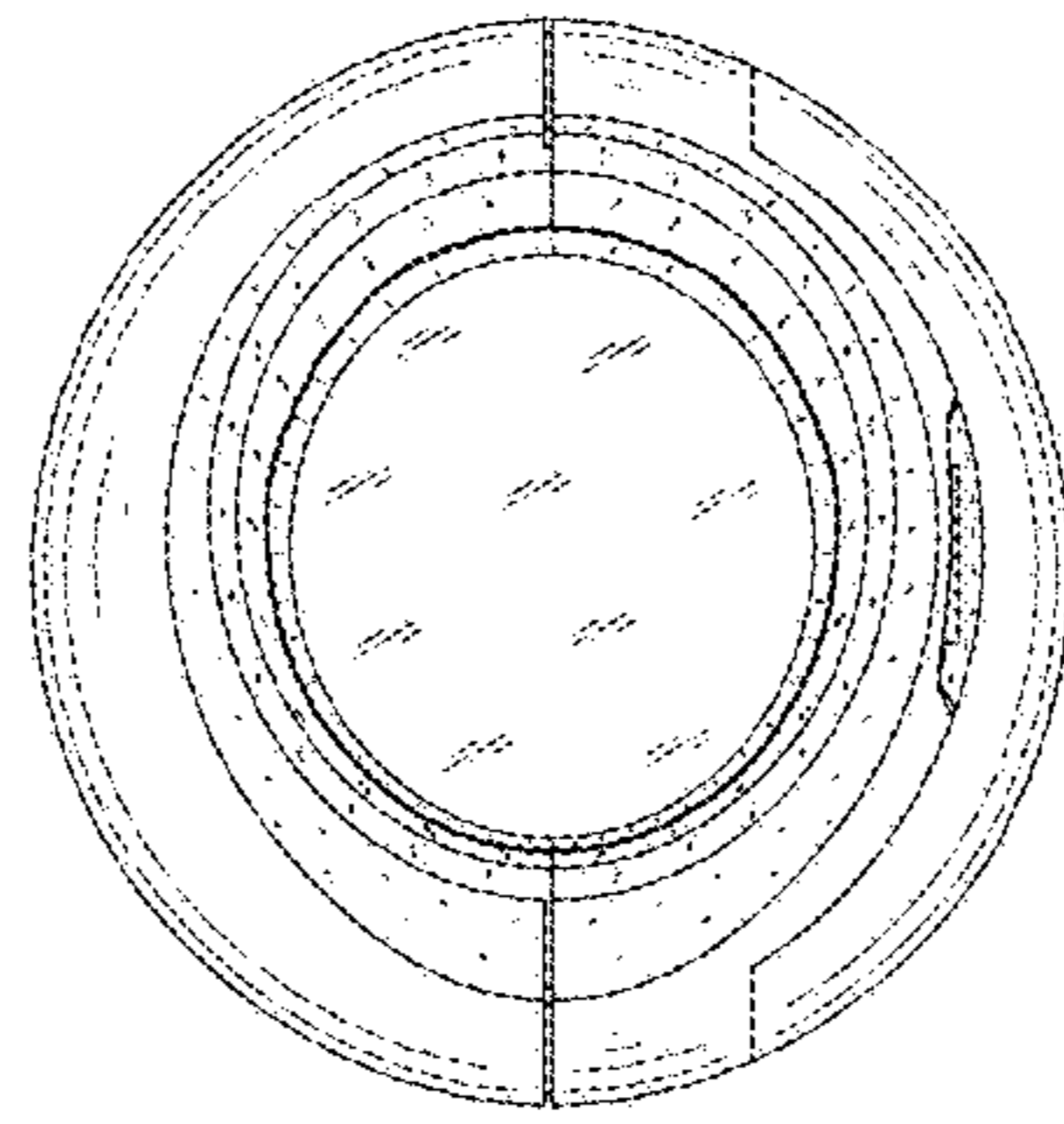


FIG .5

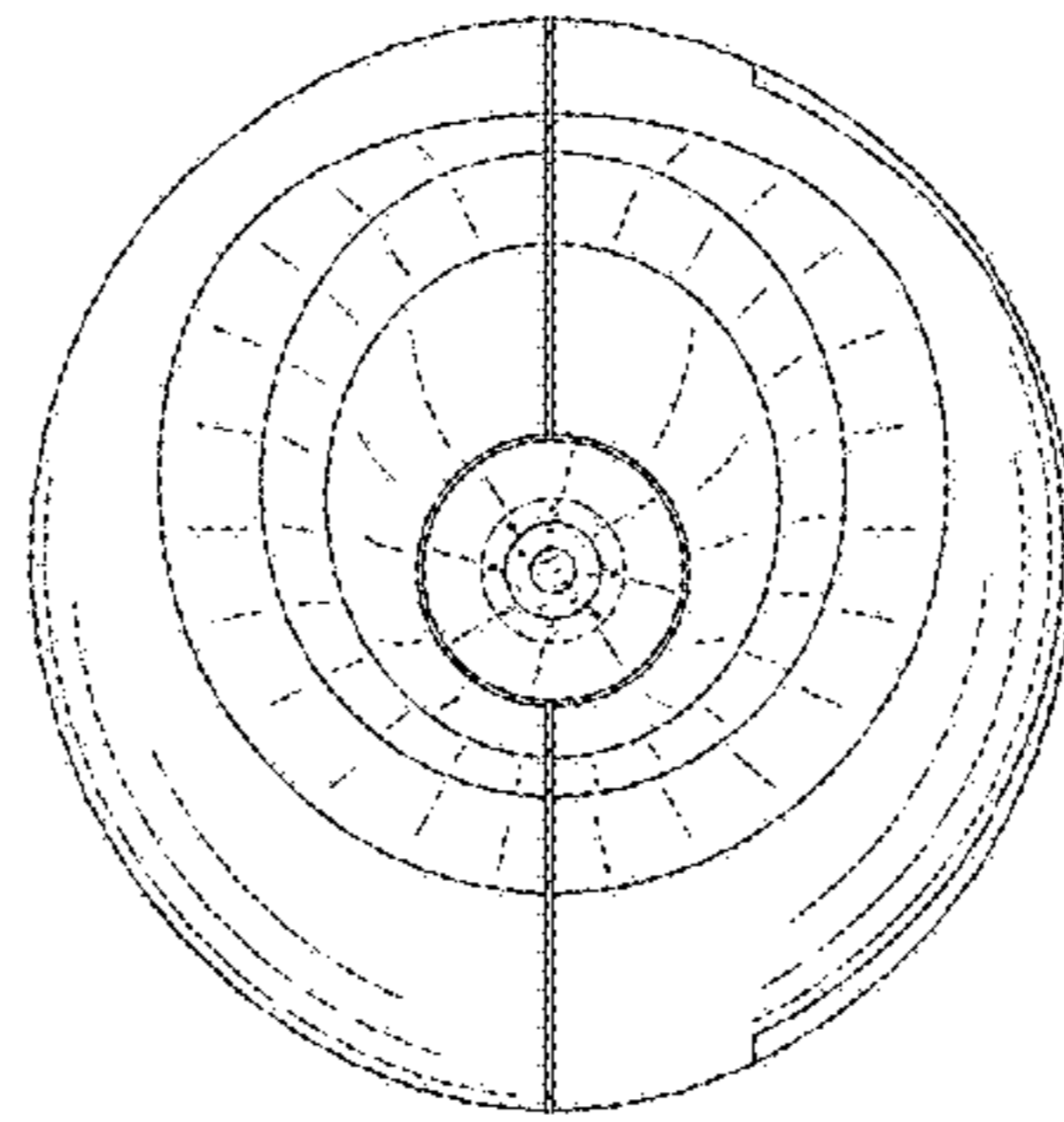


FIG .6

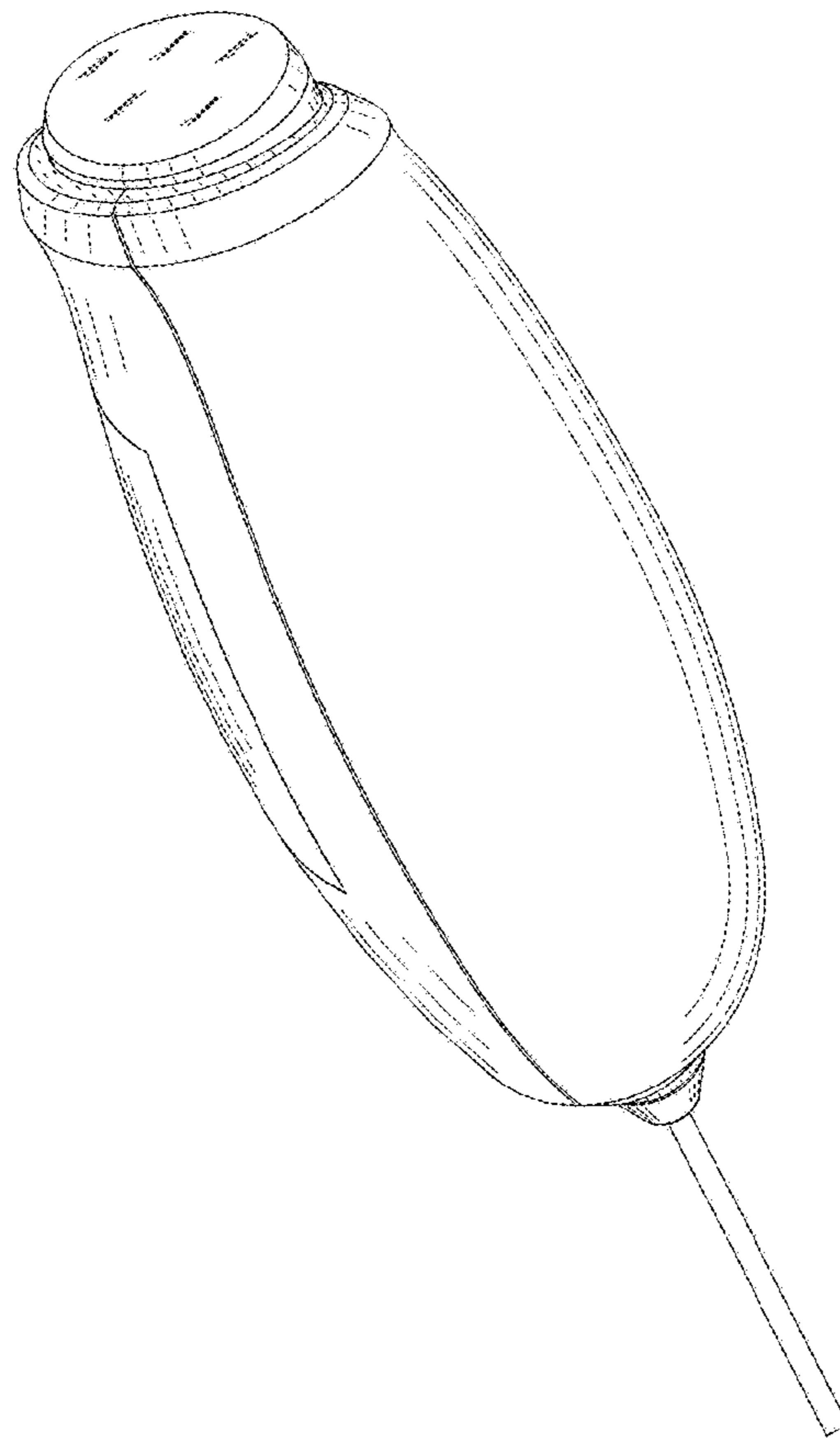


FIG .7