



US00D867048S

(12) **United States Design Patent** (10) **Patent No.:** **US D867,048 S**
Donfrancesco et al. (45) **Date of Patent:** **** Nov. 19, 2019**

(54) **BARBEQUE GRILL**
(71) Applicant: **Jaguar Land Rover Limited**, Whitley, Coventry (GB)

D784,064 S * 4/2017 Hebert, Jr. D7/337
9,801,496 B1 * 10/2017 Lu A47J 37/0694
D814,842 S * 4/2018 Hagstrom D7/337
(Continued)

(72) Inventors: **Adam Donfrancesco**, Coventry (GB);
Oliver Evans, Coventry (GB)

OTHER PUBLICATIONS

Compadre4x4, How to make a Jerrycan BBQ Grill, Aug. 14, 2014, Youtube, <https://www.youtube.com/watch?v=rXc8WcHy0WM> (Year: 2014).*

(73) Assignee: **Jaguar Land Rover Limited**, Whitley, Coventry (GB)

(Continued)

(**) Term: **15 Years**

Primary Examiner — Brett Miller

(21) Appl. No.: **29/640,771**

(74) Attorney, Agent, or Firm — Wood Herron & Evans LLP

(22) Filed: **Mar. 16, 2018**

(57) **CLAIM**

The ornamental design for a barbeque grill, as shown and described.

(30) **Foreign Application Priority Data**

DESCRIPTION

Sep. 18, 2017 (EM) 004360618

(51) **LOC (12) Cl.** **07-02**

(52) **U.S. Cl.**
USPC **D7/332**

(58) **Field of Classification Search**
USPC D7/332-337, 352-356, 358, 362-364, D7/366, 408, 409; 126/25 R; D26/41, D26/114
CPC A47J 33/00; A47J 37/07; A47J 37/0704; A47J 37/0713; A47J 37/0763; A47J 37/0786; A47J 2037/0777; F24C 3/14; F24C 15/107; F24C 1/16; F24B 1/202; F24B 1/193

See application file for complete search history.

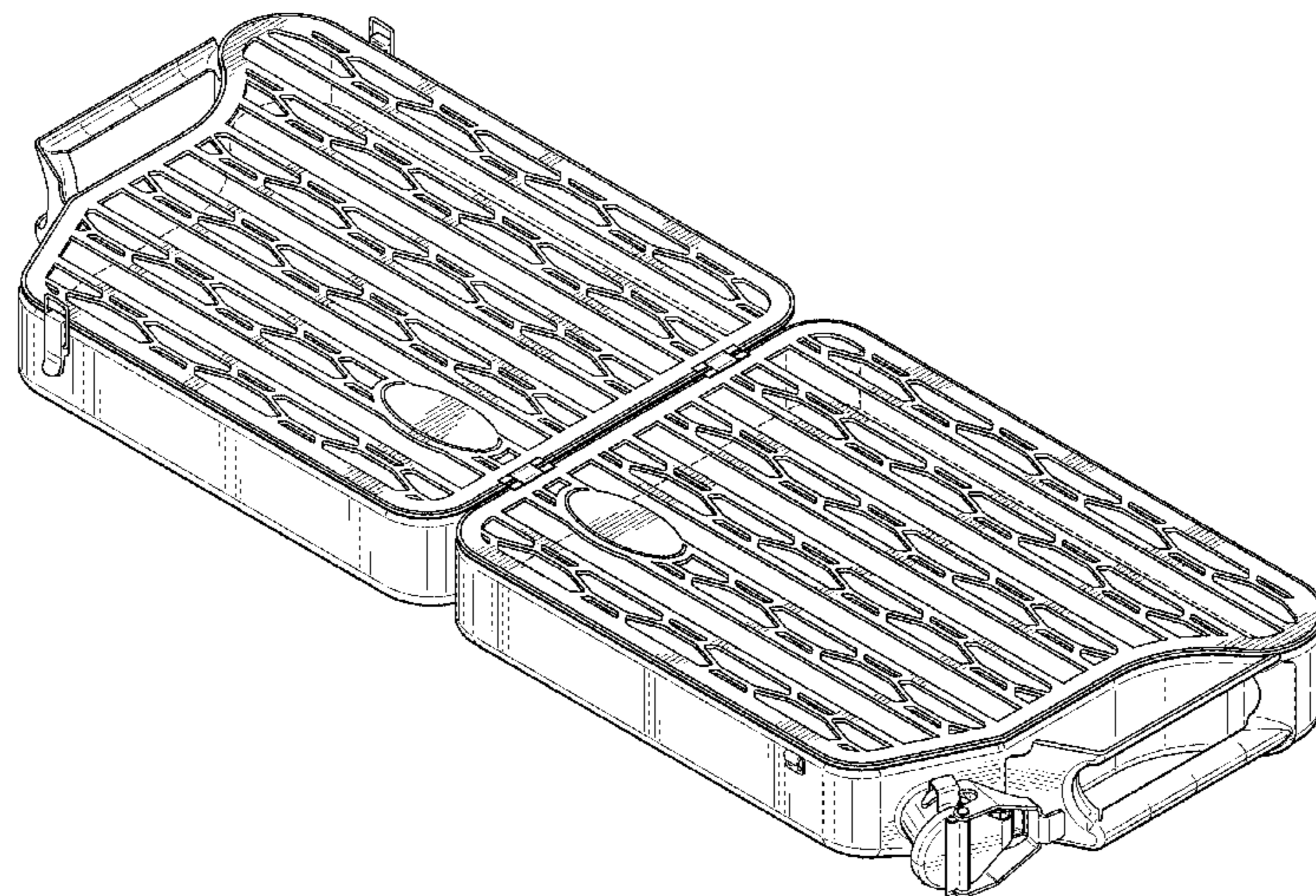
FIG. 1 is a front left perspective view of a barbeque grill, in a closed configuration, according to the present invention. FIG. 2 is a front view of the grill shown in FIG. 1. FIG. 3 is a rear view thereof. FIG. 4 is a right side view thereof. FIG. 5 is a left side view thereof. FIG. 6 is a top view thereof. FIG. 7 is a bottom view thereof. FIG. 8 is a front left perspective view of the barbeque grill shown in FIGS. 1-7, in an open configuration. FIG. 9 is a left side view of the grill as shown in FIG. 8. FIG. 10 is a right side view thereof. FIG. 11 is a front view thereof. FIG. 12 is a rear view thereof. FIG. 13 is a top view thereof. FIG. 14 is a bottom view thereof; and, FIG. 15 is a top detail view of a portion of the grill shown in FIG. 8, in an open configuration. The broken lines depict portions of the barbeque grill that form no part of the claimed design.

(56) **References Cited**

U.S. PATENT DOCUMENTS

4,703,746 A * 11/1987 Hitch A47J 37/0694
126/153
D708,895 S * 7/2014 Hoyord D7/388

1 Claim, 11 Drawing Sheets



(56)

References Cited

U.S. PATENT DOCUMENTS

2010/0319550 A1* 12/2010 Wu A47J 37/0611
99/380
2016/0206148 A1* 7/2016 Sawhney A47J 37/0763

OTHER PUBLICATIONS

Karl Webster, Jerrycan BBQ, Sep. 16, 2015, Land Cruiser Club,
<https://www.landcruiserclub.net/community/threads/jerrycan-bbq.143726/> (Year: 2015).*

* cited by examiner

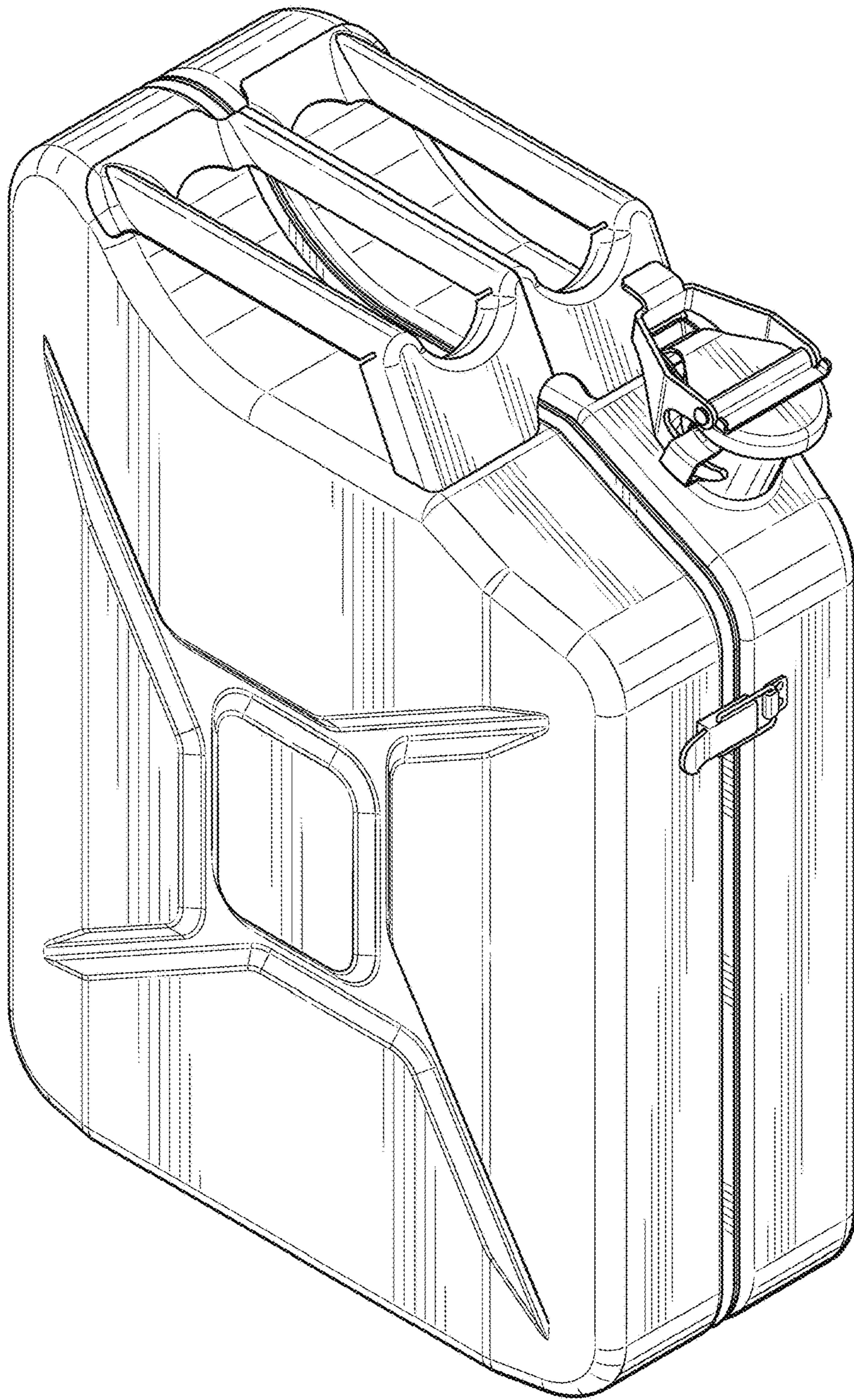


FIG. 1

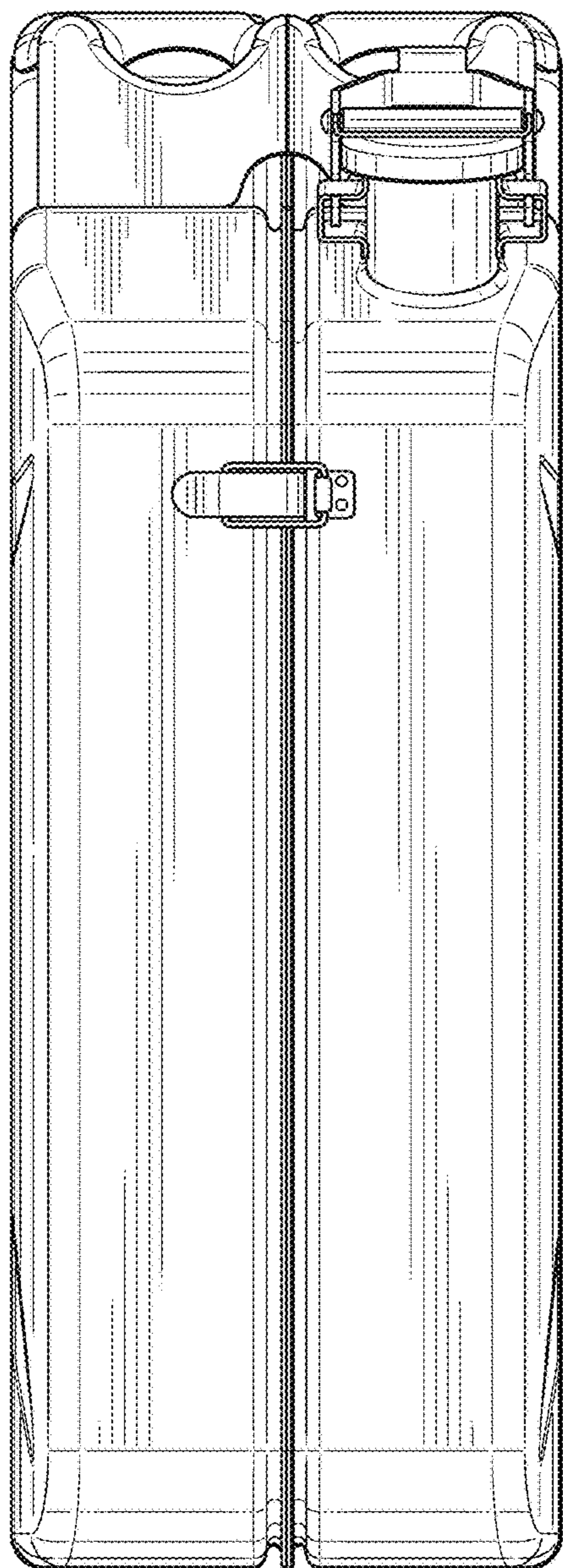


FIG. 2

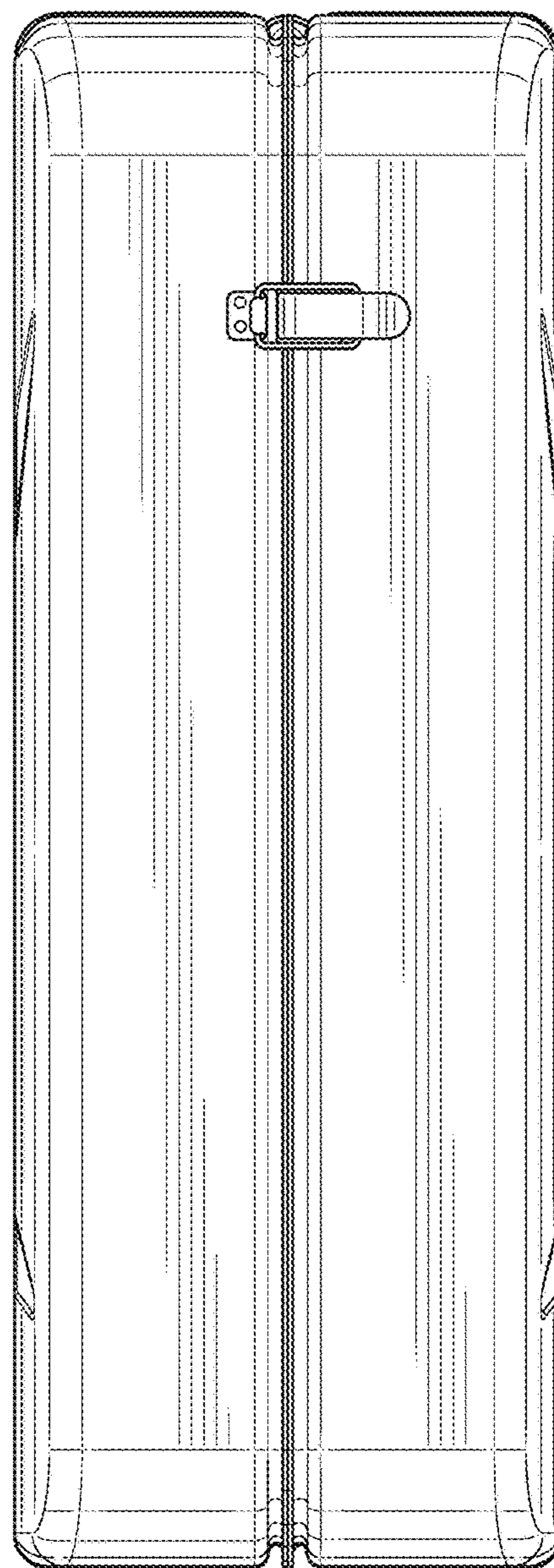


FIG. 3

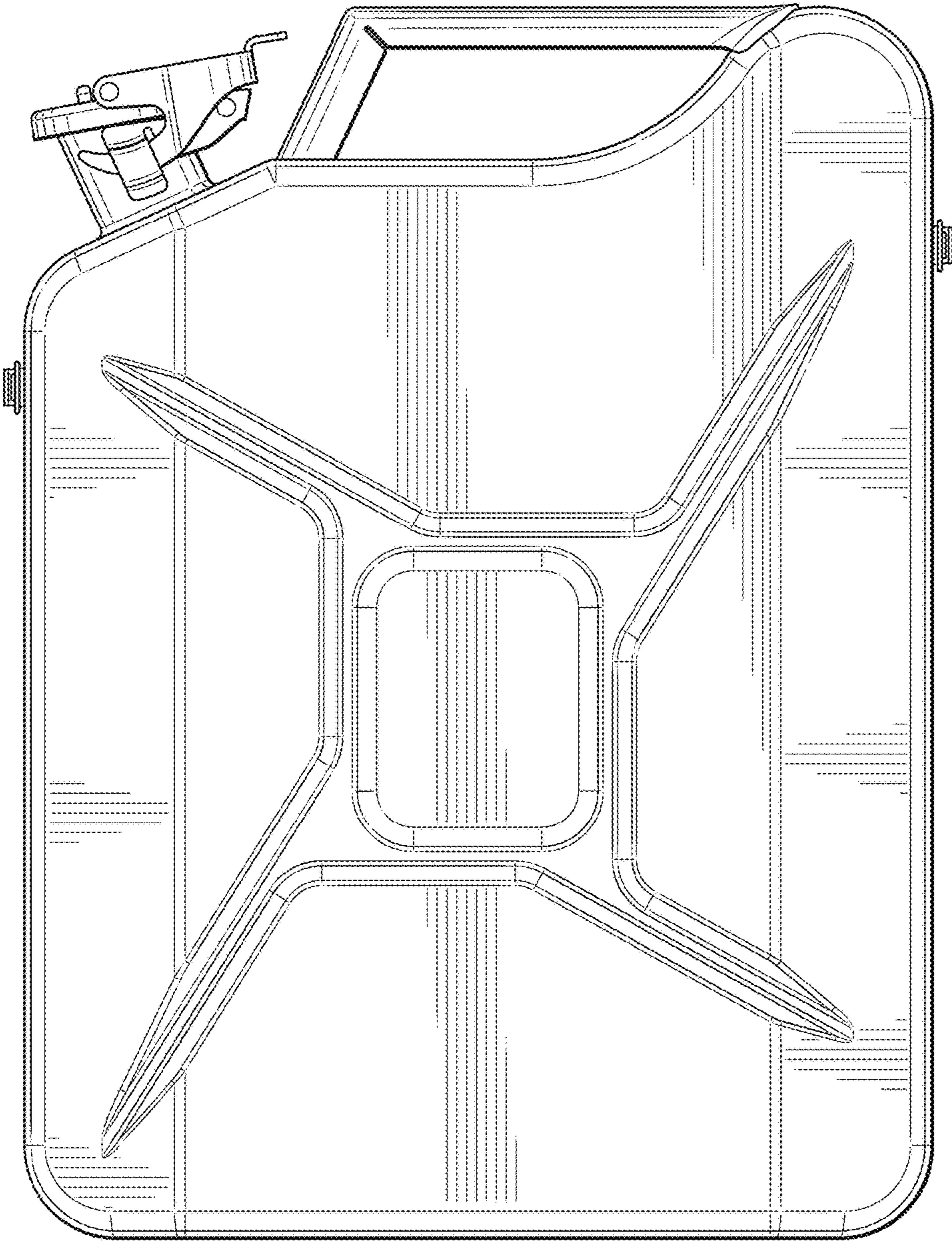


FIG. 4

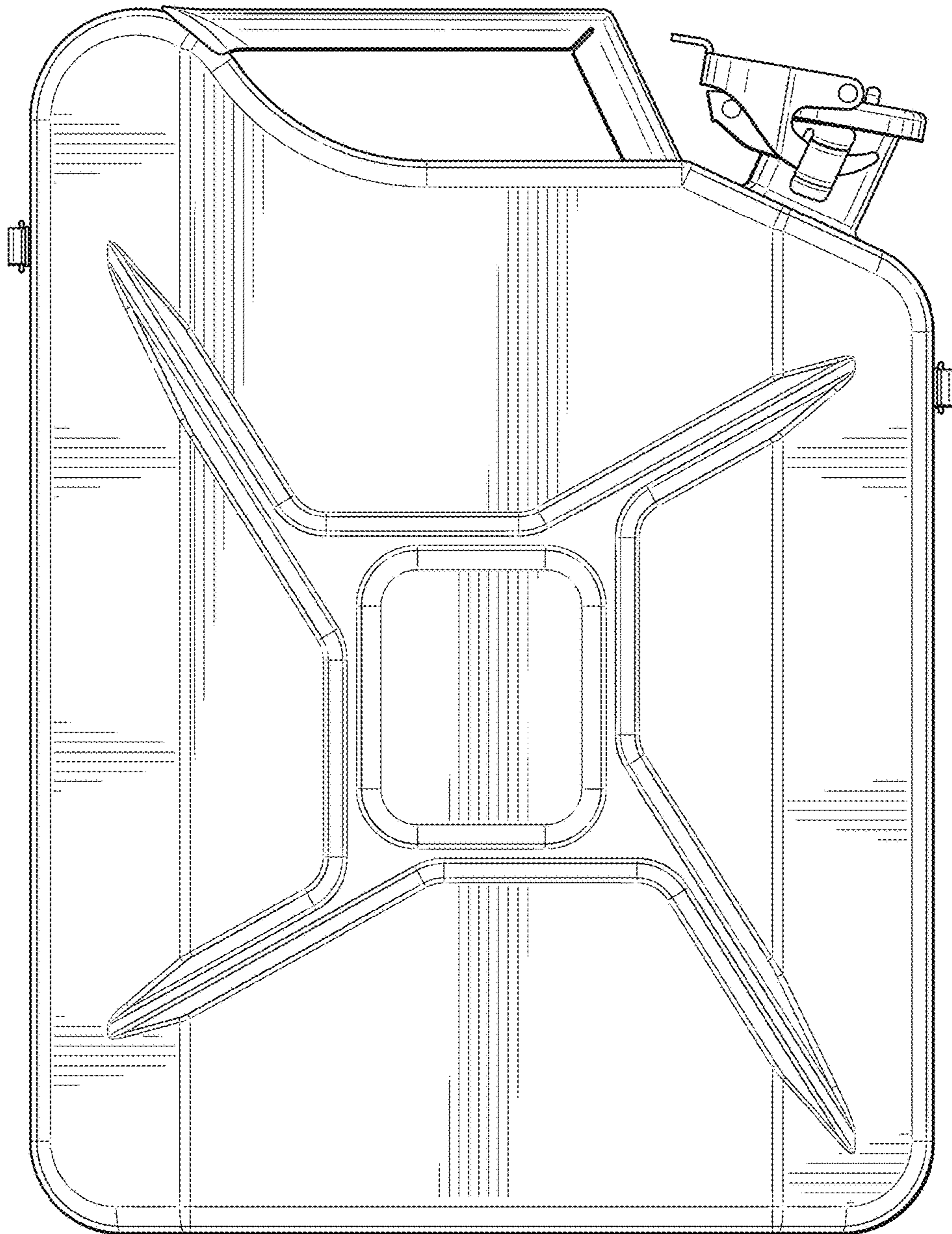


FIG. 5

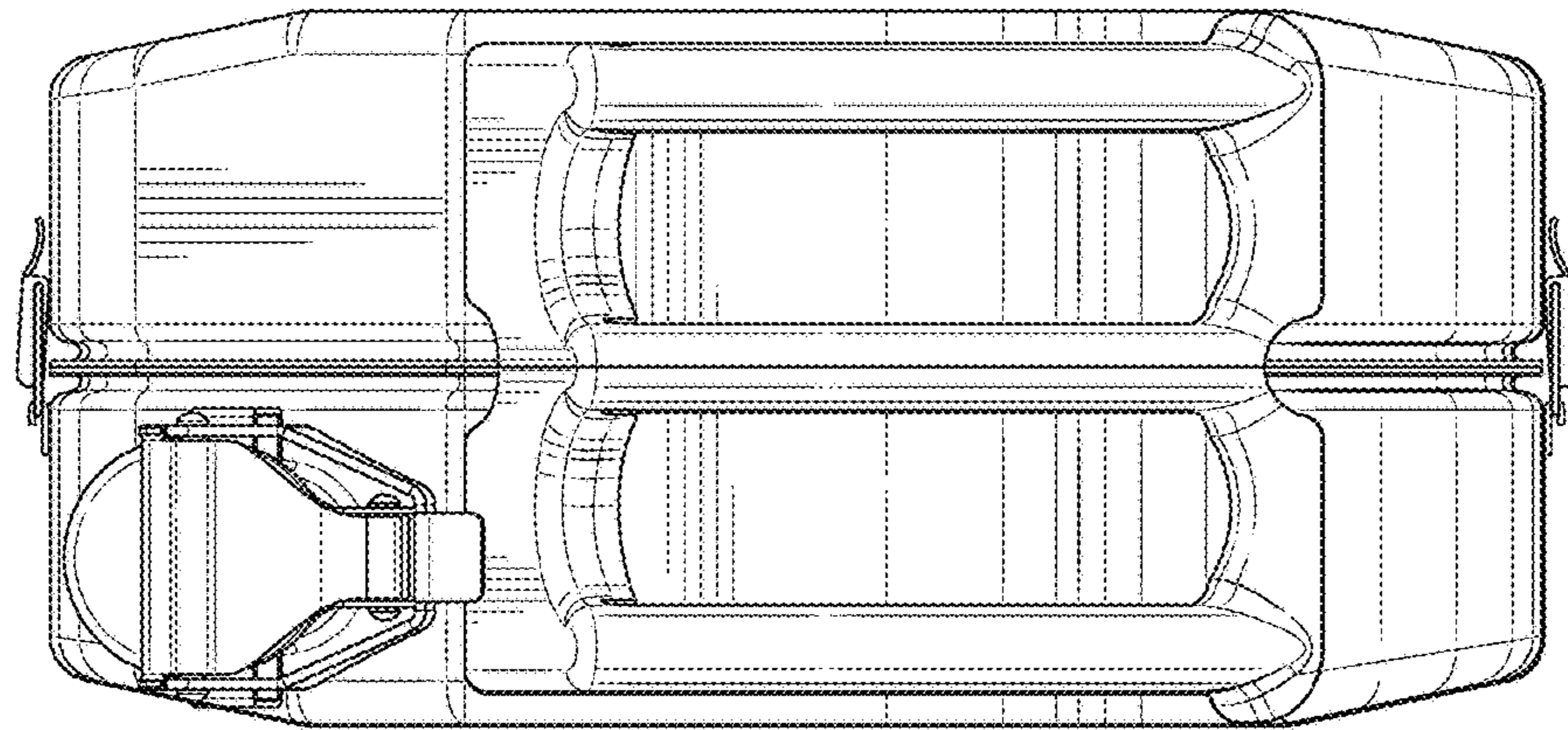


FIG. 6

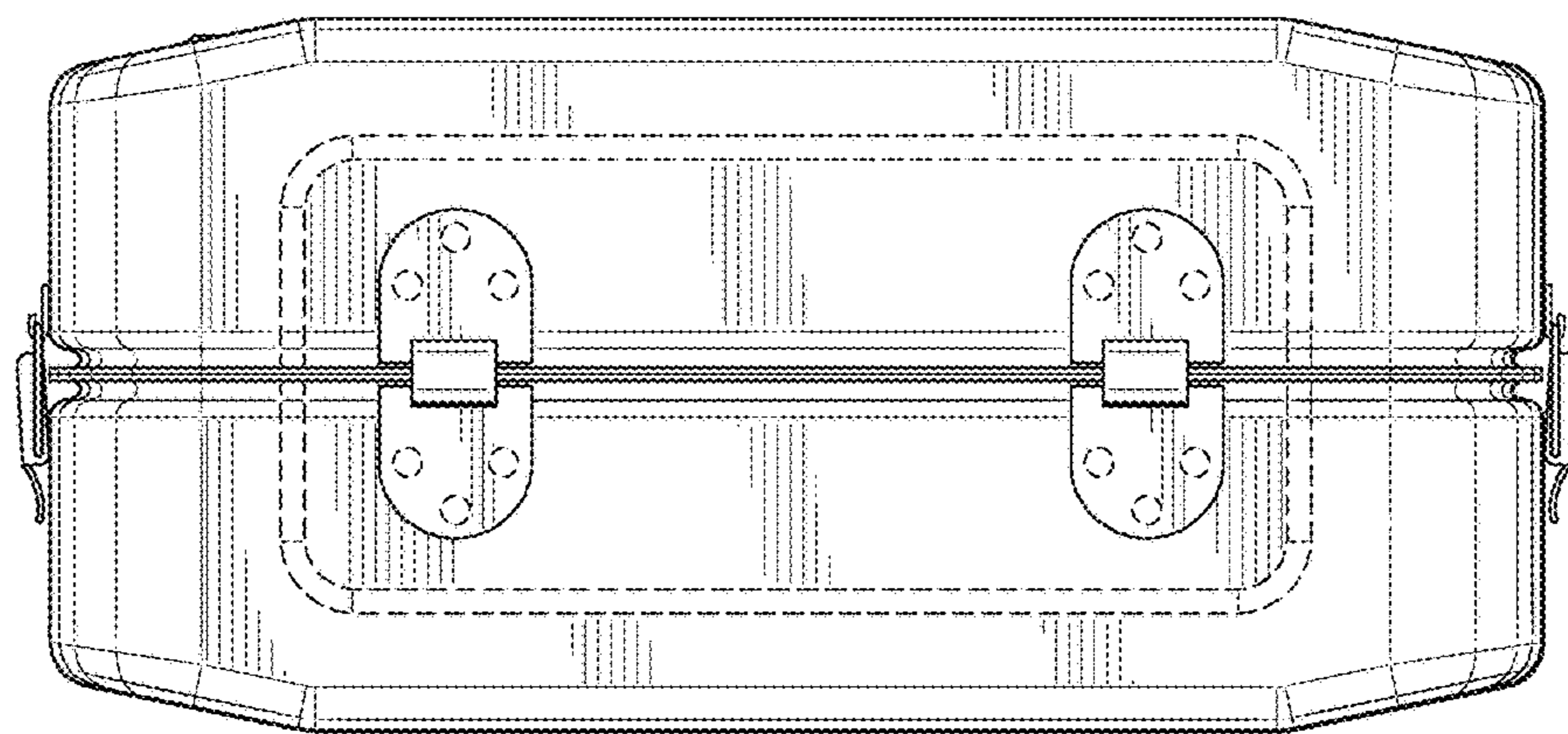


FIG. 7

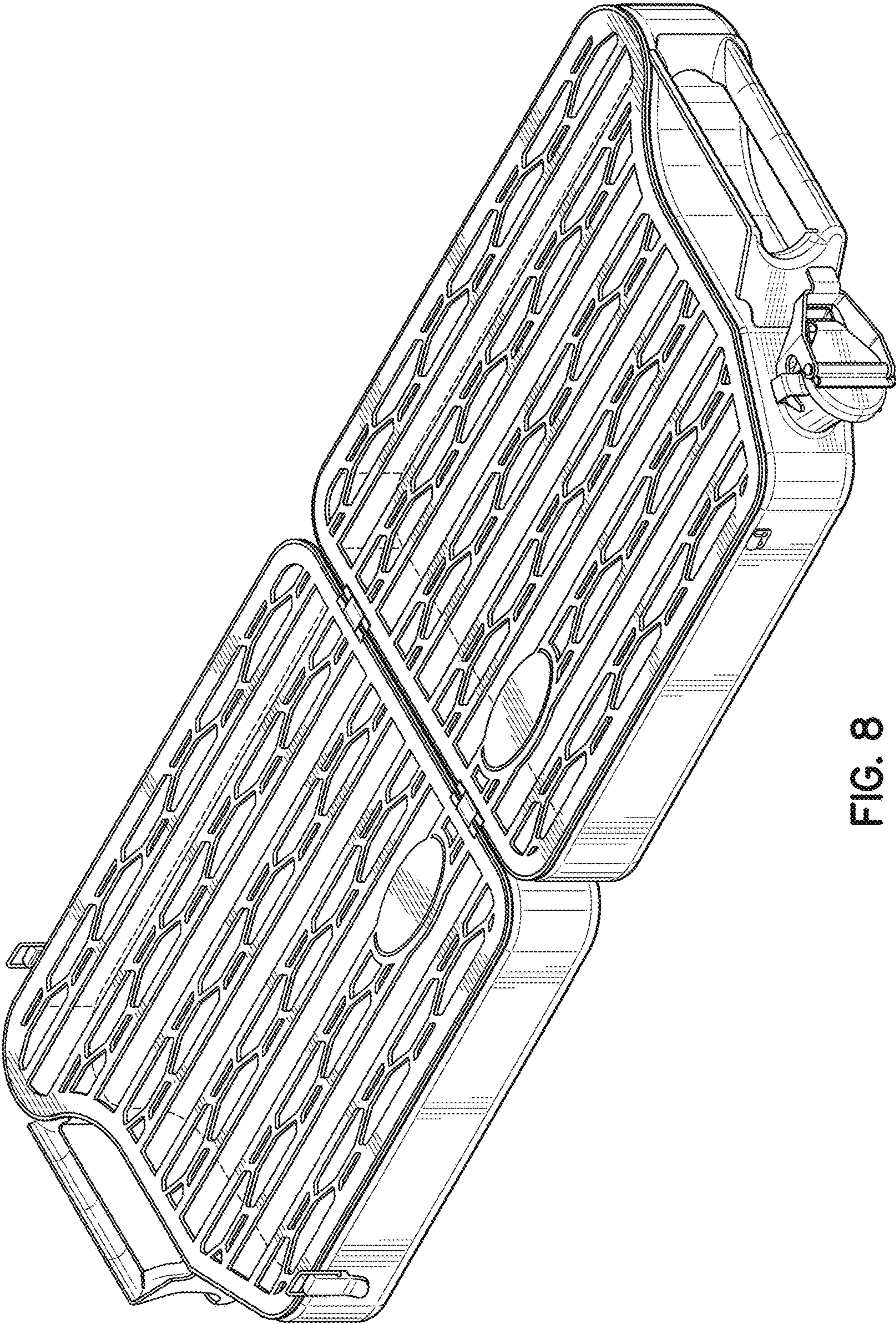


FIG. 8

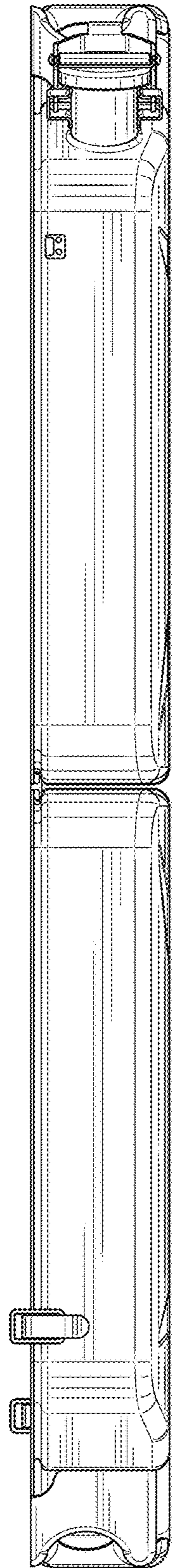


FIG. 9

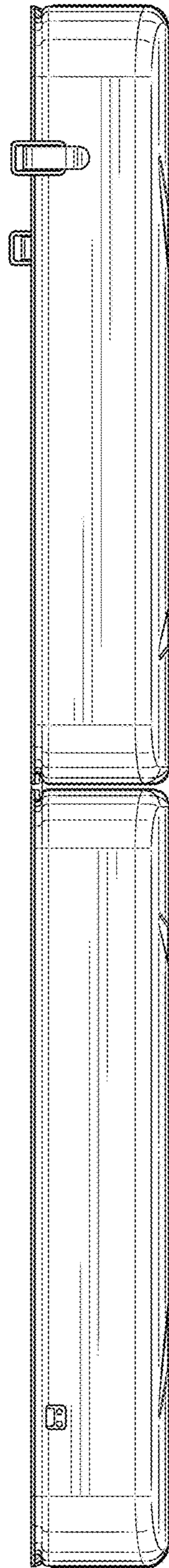


FIG. 10

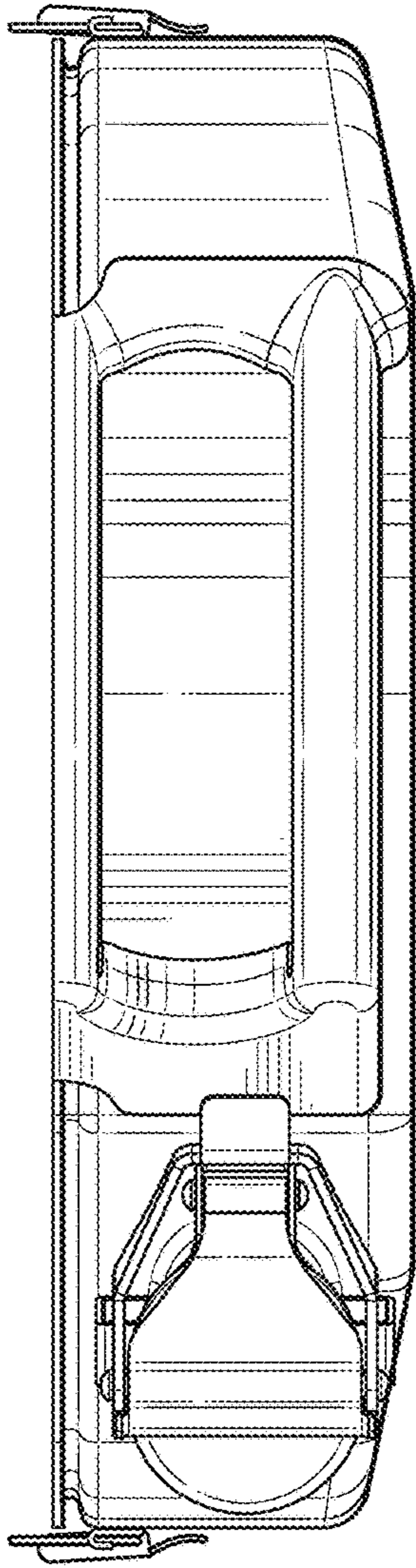


FIG. 11

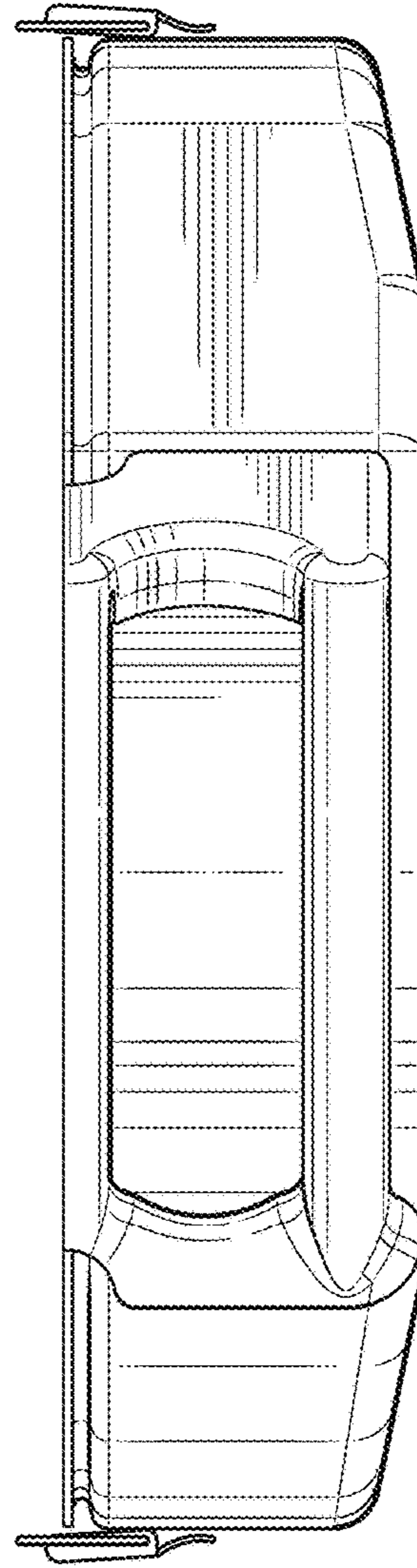


FIG. 12

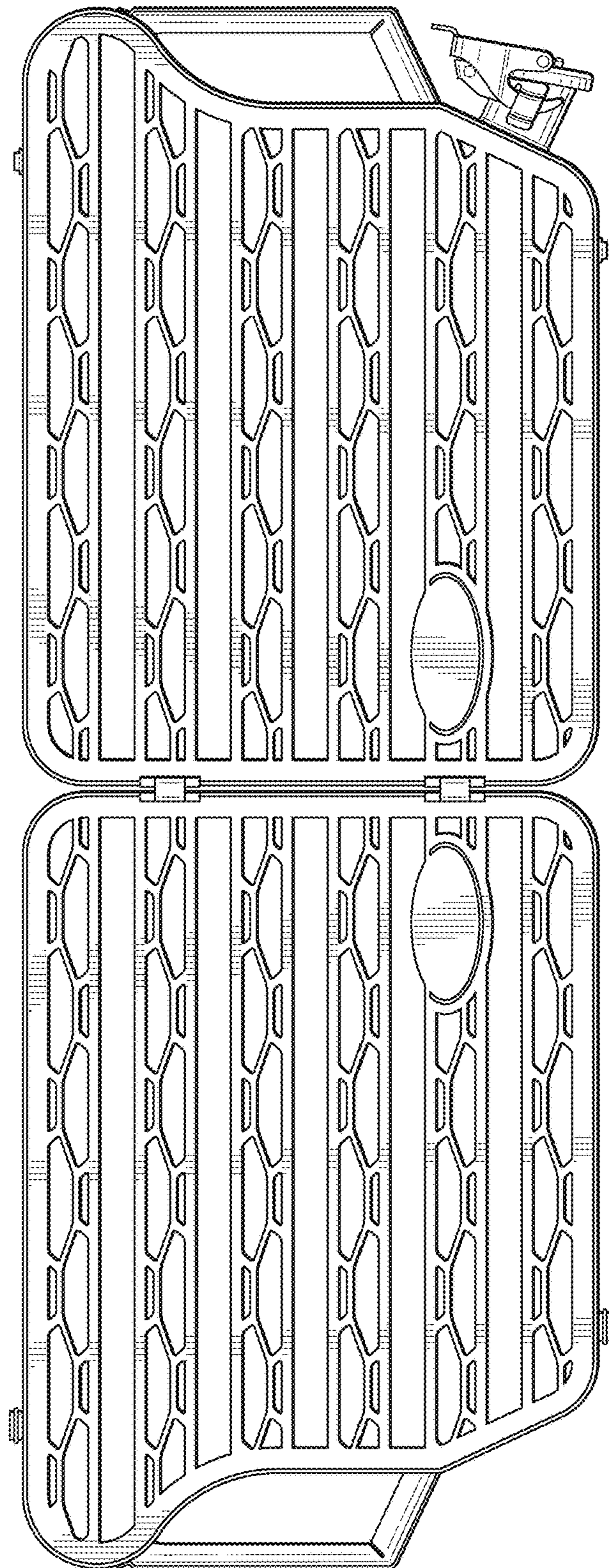


FIG. 13

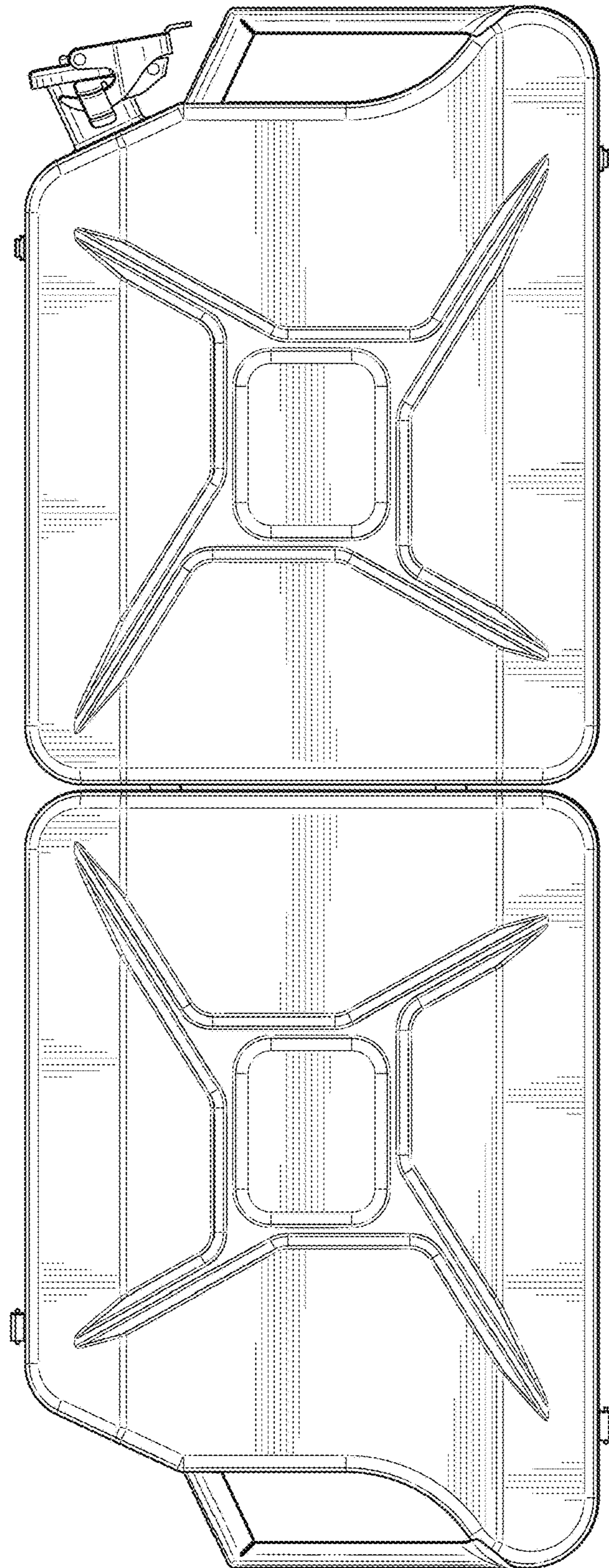


FIG. 14

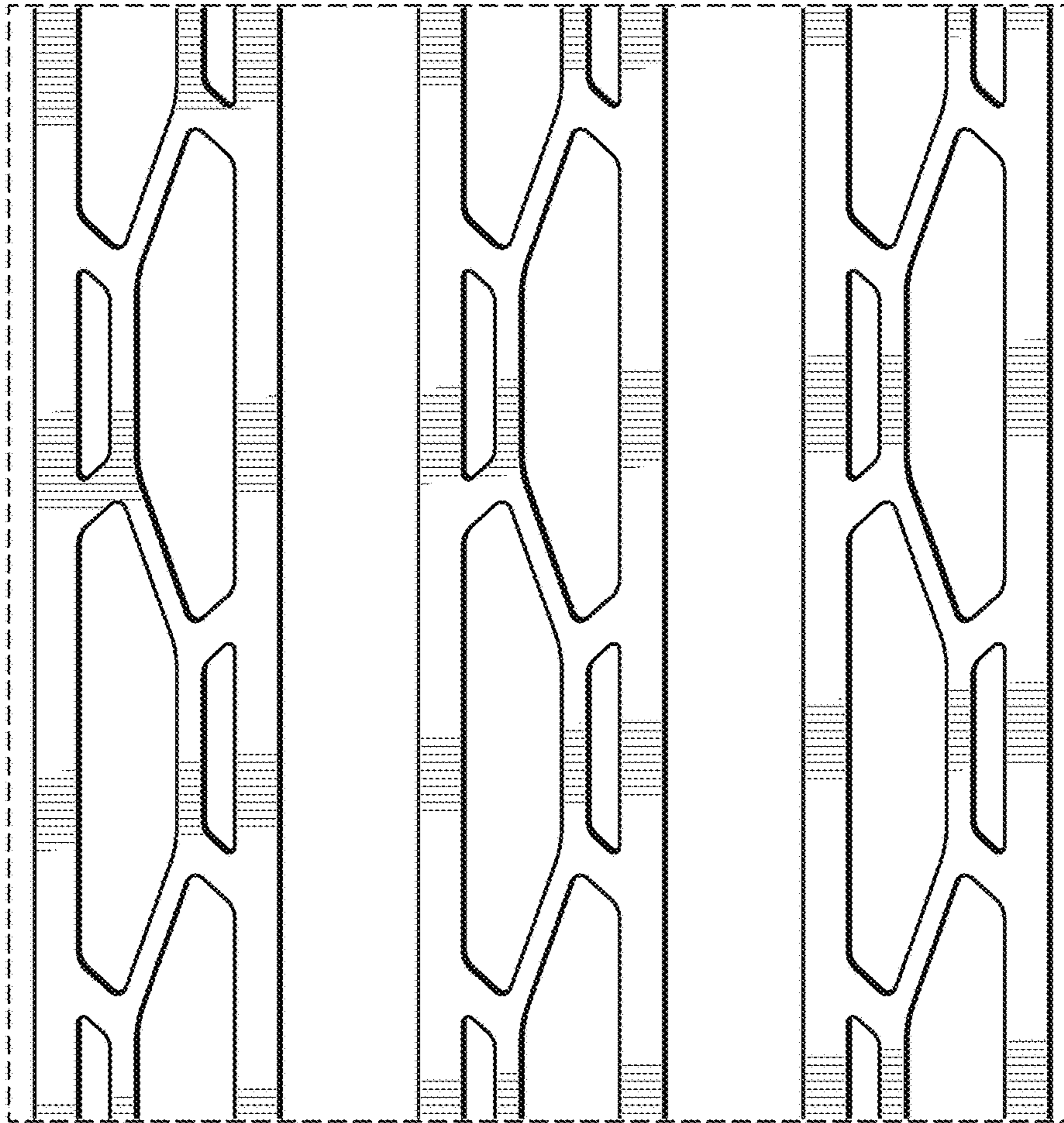


FIG. 15