



US00D867047S

(12) **United States Design Patent** (10) **Patent No.:** **US D867,047 S**
McConnell et al. (45) **Date of Patent:** **** Nov. 19, 2019**

(54) **COFFEE MAKER**

(56) **References Cited**

(71) Applicant: **WHIRLPOOL CORPORATION**,
Benton Harbor, MI (US)
(72) Inventors: **John W. McConnell**, St. Joseph, MI
(US); **Ben C. Shao**, Clarendon Hills, IL
(US); **ZhaoYi Yin**, Benton Harbor, MI
(US)
(73) Assignee: **Whirlpool Corporation**, Benton
Harbor, MI (US)
(**) Term: **15 Years**
(21) Appl. No.: **29/687,098**
(22) Filed: **Apr. 10, 2019**

U.S. PATENT DOCUMENTS

D300,596 S 4/1989 Eugster
5,251,541 A * 10/1993 Anson A47J 31/4403
99/280
D350,871 S 9/1994 Littmann
6,586,710 B2 7/2003 Williamson
D496,213 S 9/2004 Midden et al.
D502,841 S 3/2005 Santer
D511,066 S * 11/2005 Garner D7/309
D550,499 S 9/2007 Argabrite et al.
D590,652 S 4/2009 Cesaroni et al.
D644,058 S 8/2011 Cahen
D649,392 S 11/2011 Cahen
D677,510 S * 3/2013 Tetreault D7/309
D721,531 S * 1/2015 Krasne D7/309
D730,674 S * 6/2015 De'Longhi D7/309
D742,680 S 11/2015 Burrows
D760,009 S 6/2016 Moammer et al.
D766,653 S * 9/2016 Rosati D7/397

(Continued)

Related U.S. Application Data

(60) Division of application No. 29/639,760, filed on Mar.
8, 2018, now Pat. No. Des. 849,464, which is a
continuation-in-part of application No. 29/618,139,
filed on Sep. 19, 2017, now abandoned.
(51) **LOC (12) Cl.** **07-01**
(52) **U.S. Cl.**
USPC **D7/310**; D7/309; D7/311
(58) **Field of Classification Search**
USPC D7/300, 306-308, 309-311, 305, 355,
D7/362, 365, 367, 397, 398; 222/146.6,
222/185.1, 135; 99/295, 273, 304, 288,
99/279, 307, 283, 294, 300
CPC A47J 31/46; A47J 31/407; A47J 31/50;
A47J 31/18; A47J 31/00; A47J 27/04;
A47J 31/0573; A47J 31/057; A47J
31/0642; A47J 31/3628; A47J 31/4407;
A47J 31/445

See application file for complete search history.

Primary Examiner — Marianne N Pandozzi

(74) *Attorney, Agent, or Firm* — Price Heneveld LLP

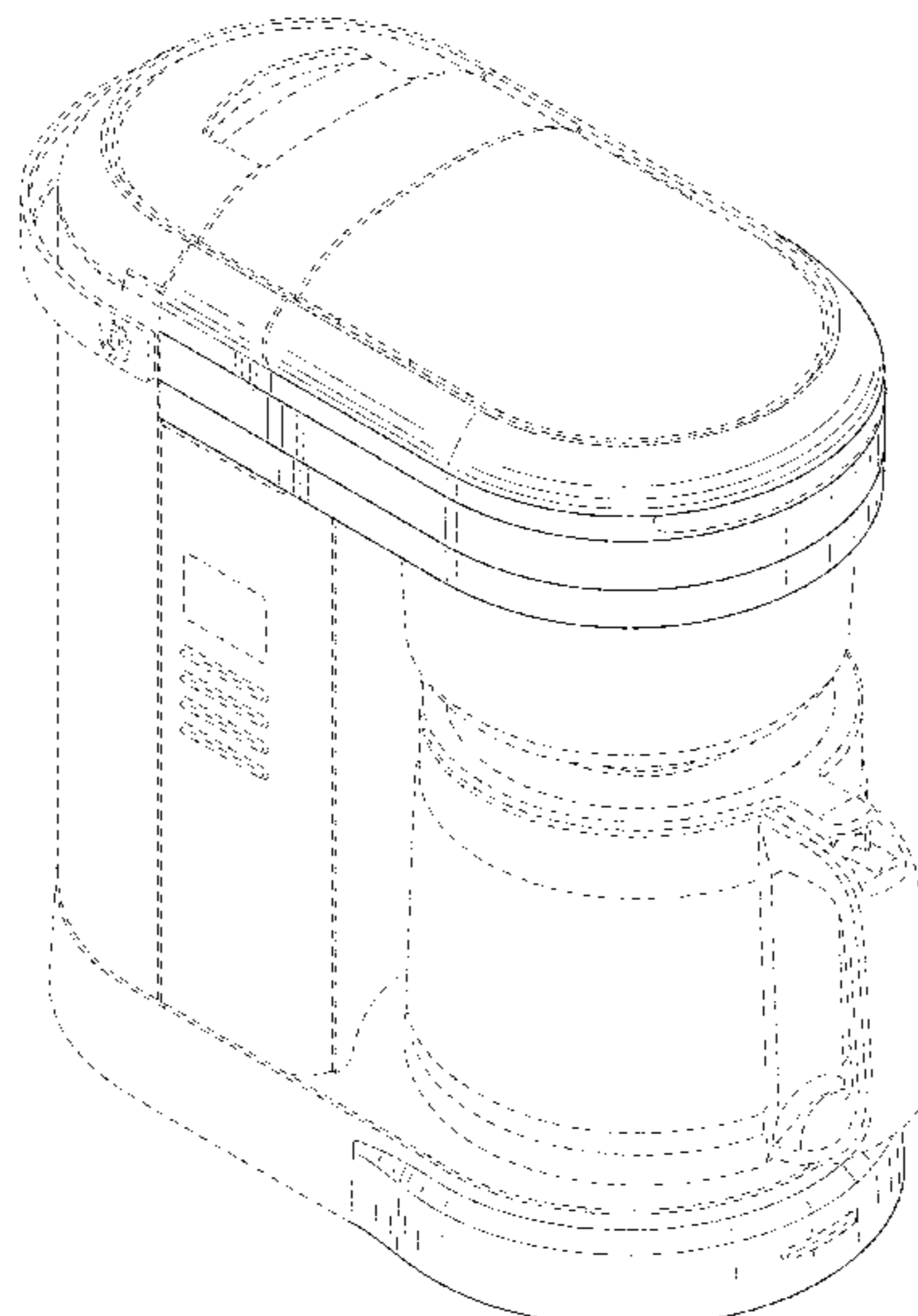
(57) **CLAIM**

The ornamental design for a coffee maker, as shown and
described.

DESCRIPTION

FIG. 1 is a front perspective view of a coffee maker
according to our design;
FIG. 2 is a front elevation view thereof;
FIG. 3 is a back elevation view thereof;
FIG. 4 is a left side elevation view thereof;
FIG. 5 is a right side elevation view thereof;
FIG. 6 is a top plan view thereof; and,
FIG. 7 is a bottom plan view thereof.
The portions of the coffee maker shown in evenly-spaced
broken line form no part of the claimed design.
Dash-dot broken lines adjacent un-shaded areas form no part
of the claimed design and represent bounds of the claimed
design.

1 Claim, 7 Drawing Sheets



(56)

References Cited

U.S. PATENT DOCUMENTS

D812,952 S	3/2018	Fedorak et al.	
D823,041 S	7/2018	Bazzicalupo et al.	
D838,531 S *	1/2019	Bodum	D7/309
D845,053 S *	4/2019	Barquin	D7/309
D849,464 S *	5/2019	McConnell	D7/310
2014/0013958 A1	1/2014	Krasne et al.	

* cited by examiner

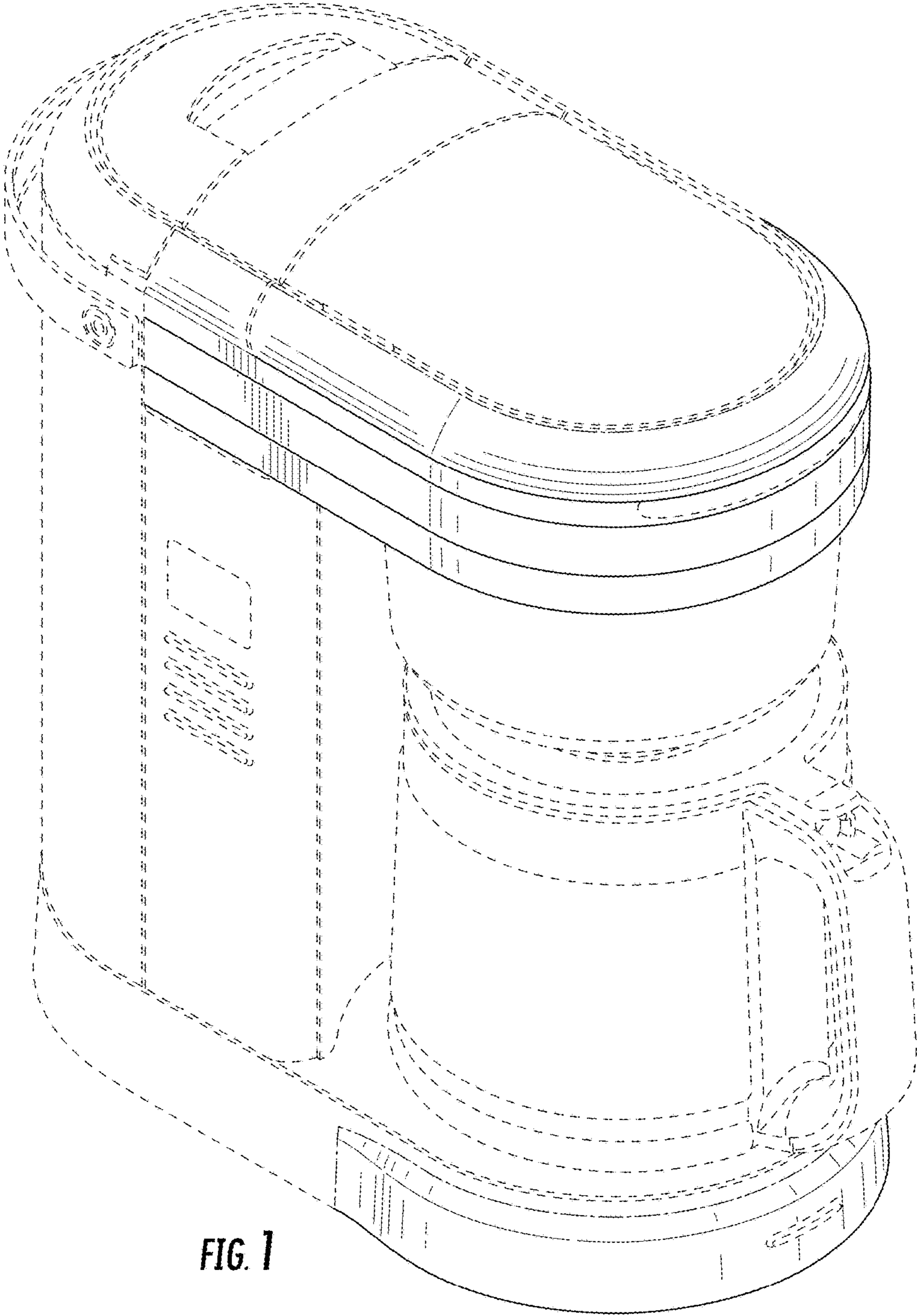


FIG. 1

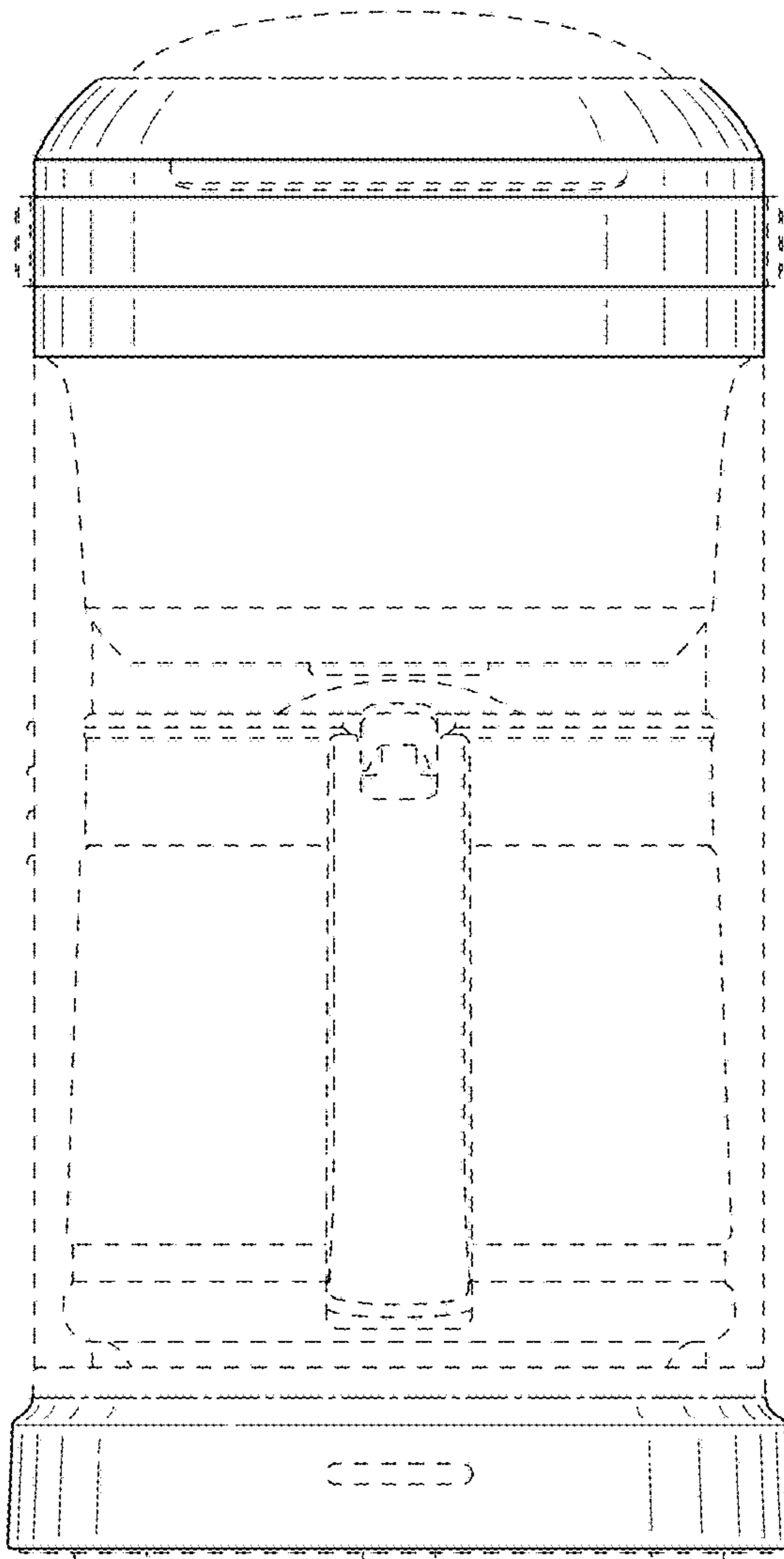


FIG. 2

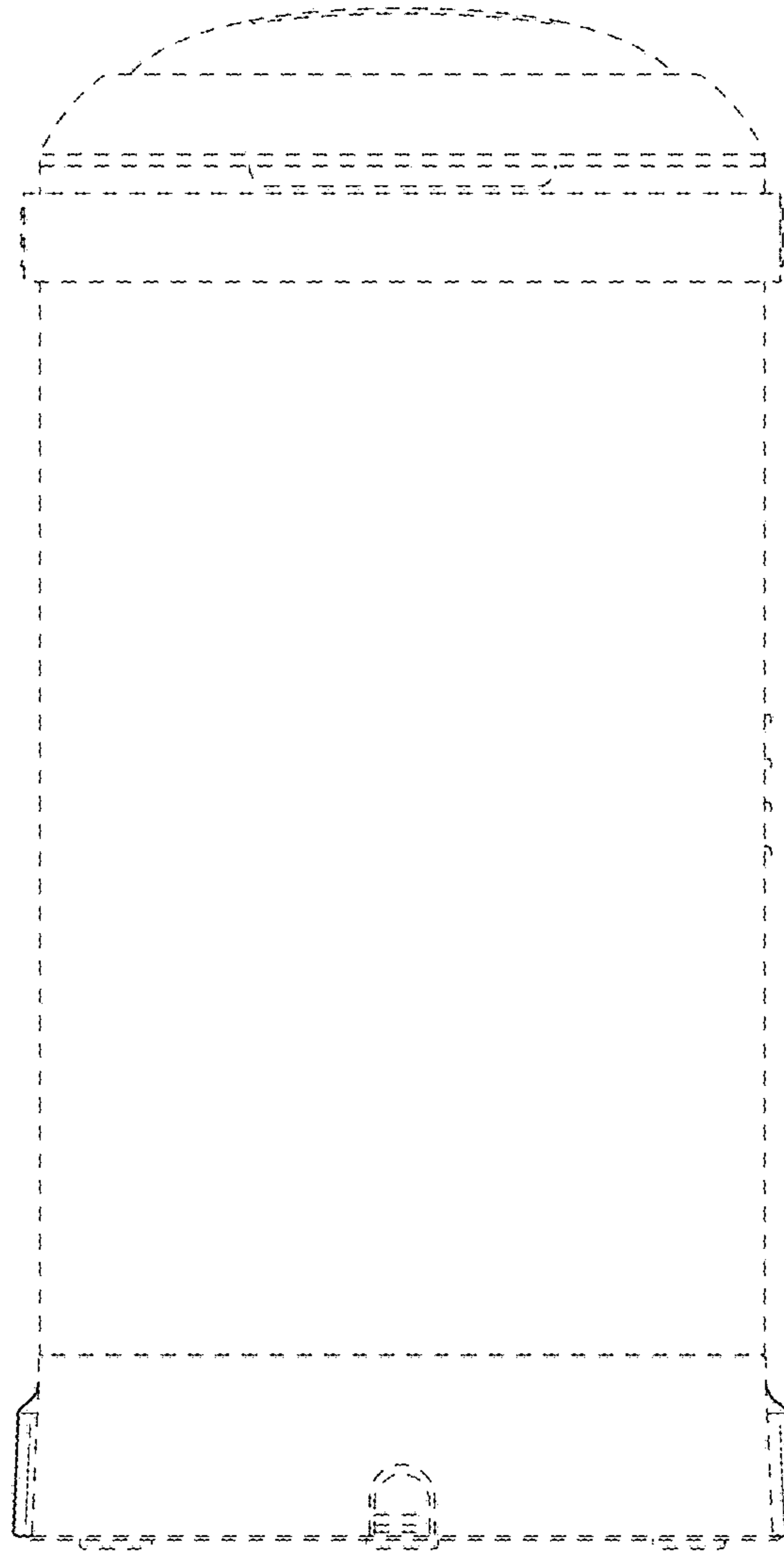


FIG. 3

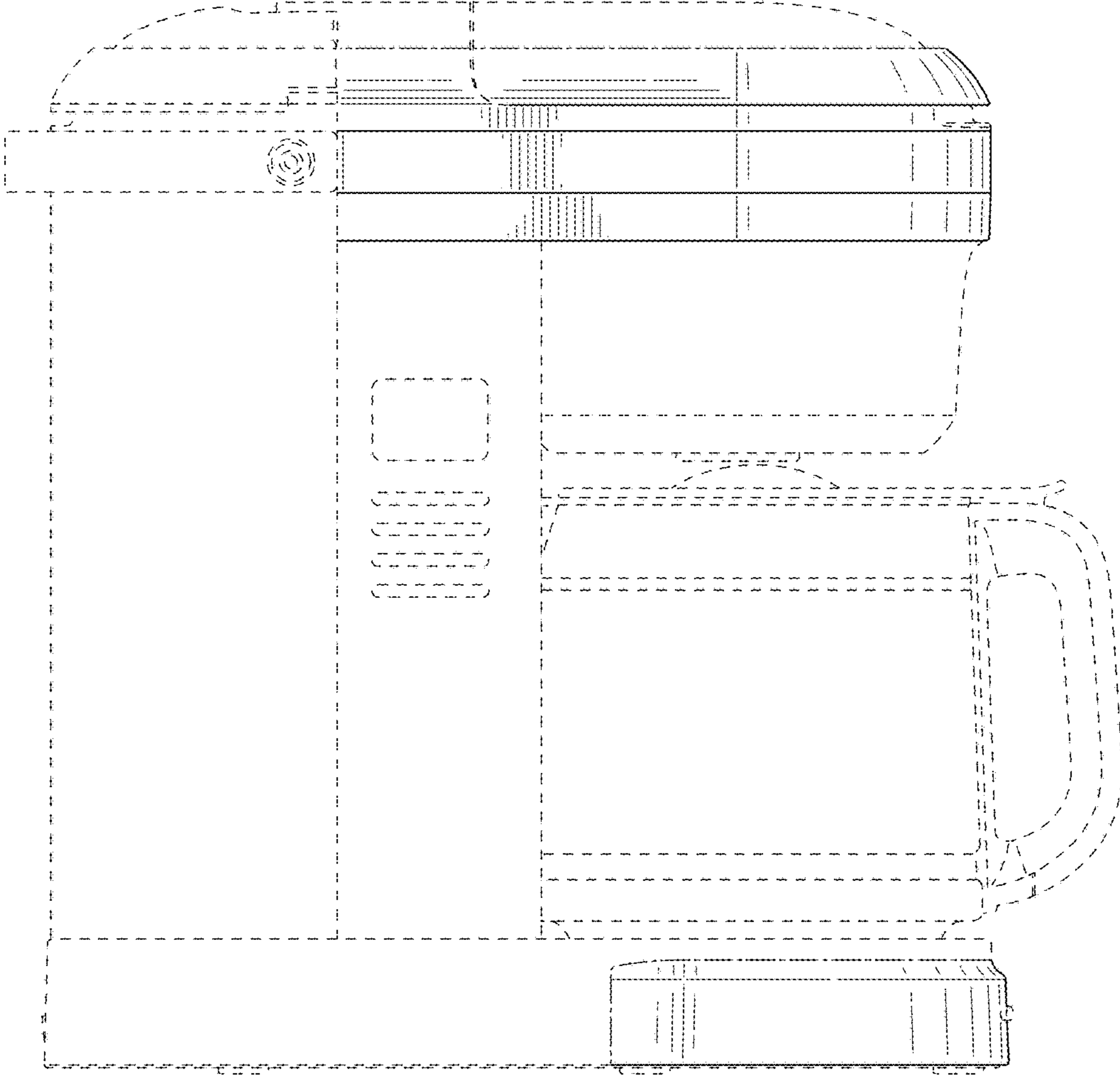


FIG. 4

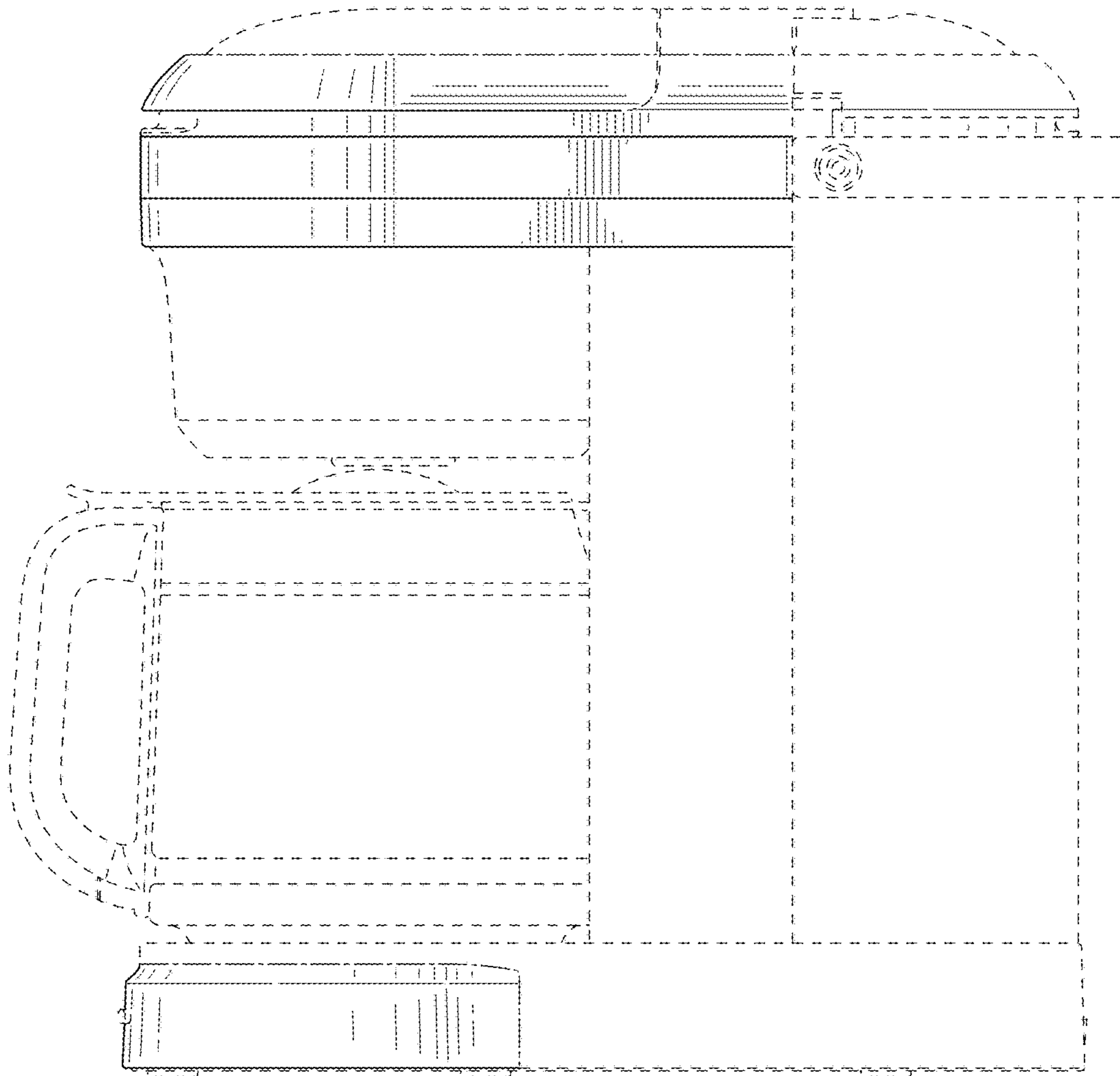


FIG. 5

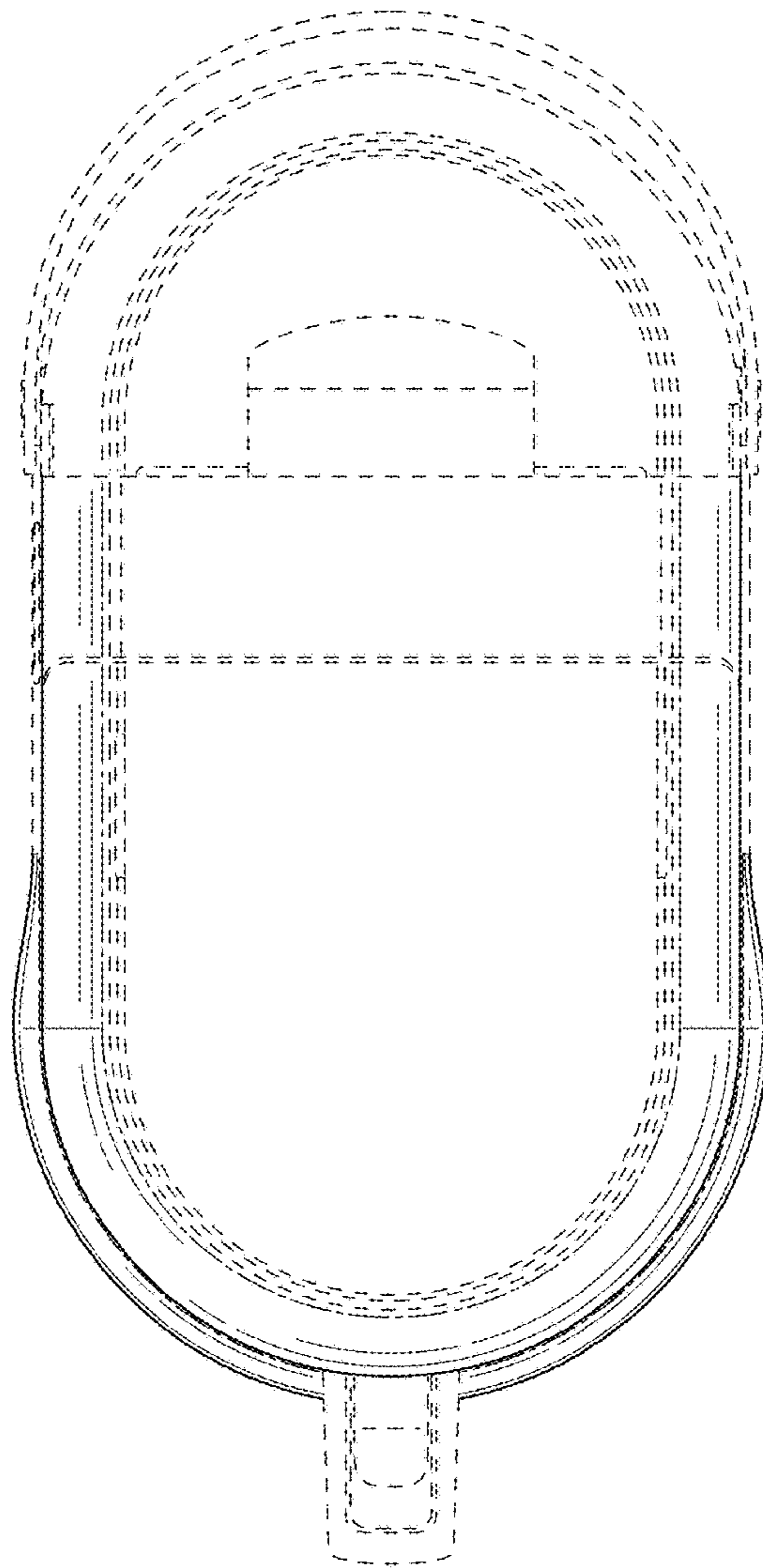


FIG. 6

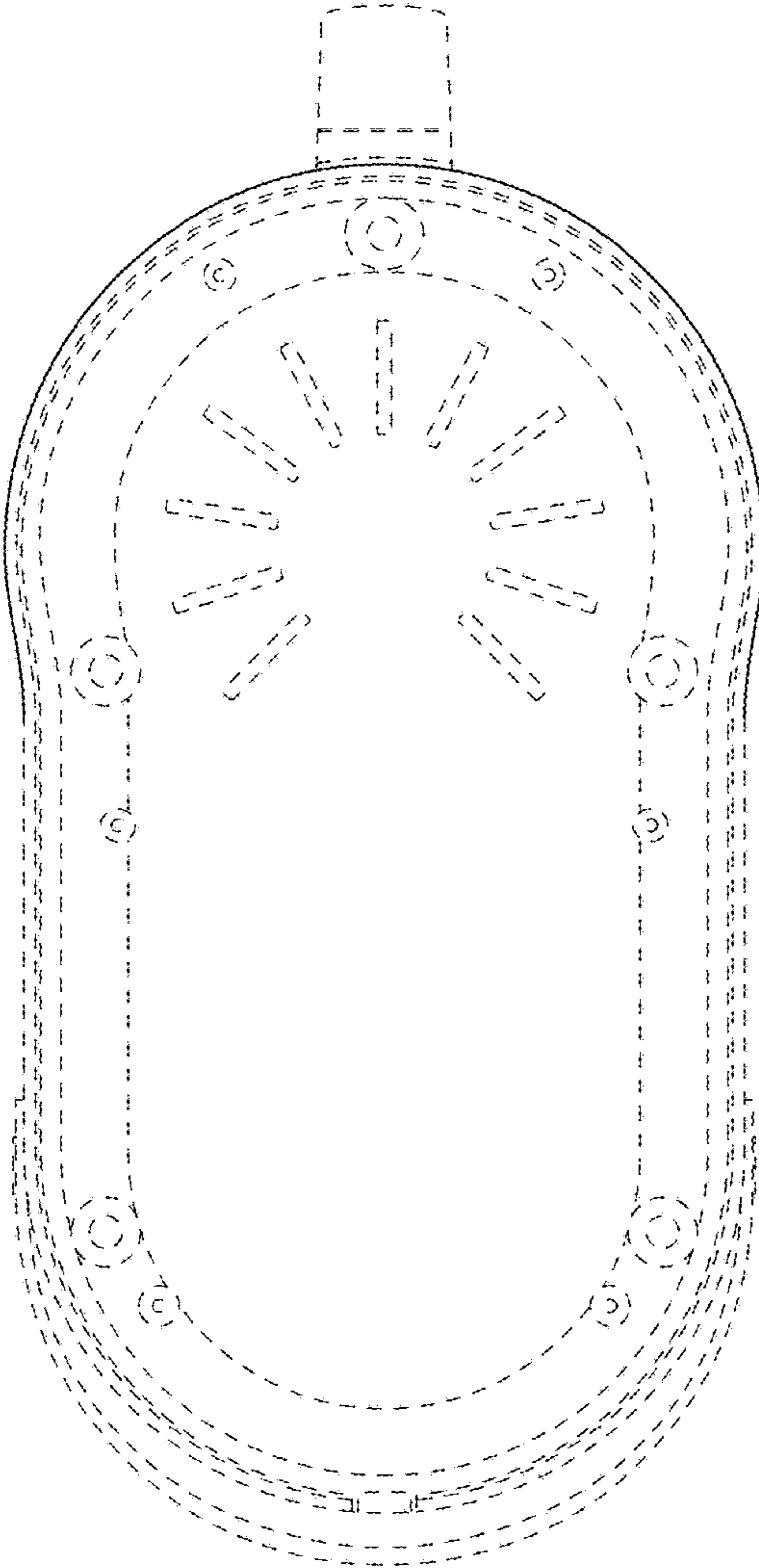


FIG. 7