



US00D867046S

(12) **United States Design Patent**
Guleria

(10) **Patent No.:** **US D867,046 S**

(45) **Date of Patent:** **** Nov. 19, 2019**

(54) **BEVERAGE DISPENSER**

(71) Applicant: **Be the Change Labs, Inc.**, New York, NY (US)

(72) Inventor: **Mohini Boparai Guleria**, Amsterdam (NL)

(73) Assignee: **Be the Change Labs, Inc.**, New York, NY (US)

(**) Term: **15 Years**

(21) Appl. No.: **29/637,748**

(22) Filed: **Feb. 21, 2018**

(51) **LOC (12) Cl.** **07-01**

(52) **U.S. Cl.**
USPC **D7/306; D7/311**

(58) **Field of Classification Search**
USPC D7/305-311, 313, 397; D15/82;
222/129.1, 146.6; 99/295; D20/1, 4;
D14/307

CPC A47J 31/44; A47J 31/4403; A47J 31/46;
B67D 1/36; B67D 2210/0065; B67D
1/0864; B67D 1/0888; A23C 9/122;
B65B 3/04

See application file for complete search history.

(56) **References Cited**

U.S. PATENT DOCUMENTS

D672,188 S * 12/2012 Luippold D7/306
8,511,348 B2 * 8/2013 Lillard, Jr. B67D 1/0888
141/2

D690,548 S * 10/2013 Andreesen D7/309
D738,153 S * 9/2015 Brook D7/309
D797,487 S * 9/2017 Mangold D7/309
D813,587 S * 3/2018 Rose D7/309
D823,036 S * 7/2018 Kestenbaum D7/309

* cited by examiner

Primary Examiner — Marianne N Pandozzi

(74) *Attorney, Agent, or Firm* — Myers Wolin, LLC

(57) **CLAIM**

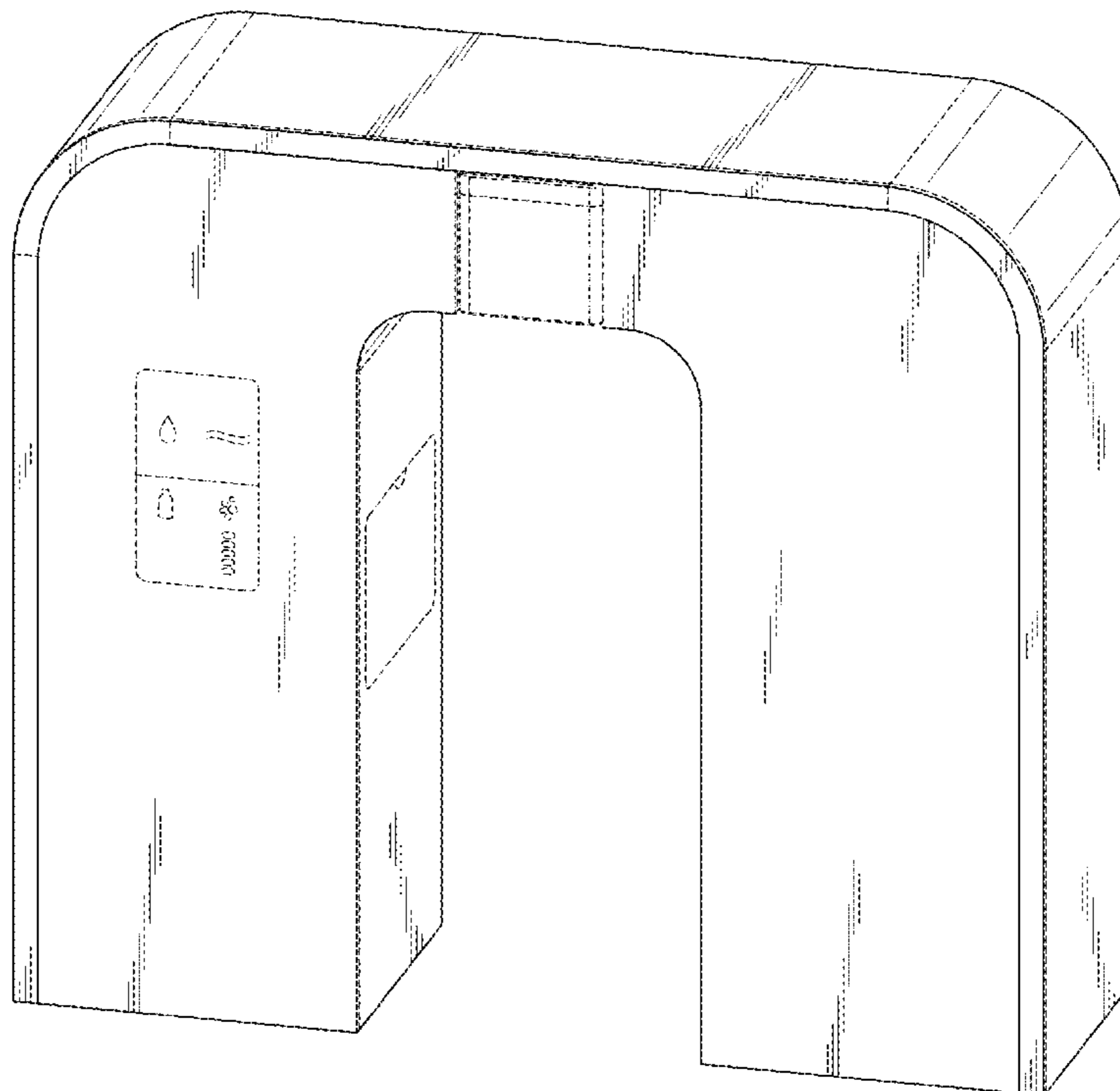
The ornamental design for a beverage dispenser, as shown and described.

DESCRIPTION

FIG. 1 is a front perspective view of a second embodiment of a beverage dispenser showing my new design;
FIG. 2 is a rear perspective view thereof;
FIG. 3 is a front elevation view thereof;
FIG. 4 is a right side elevation view thereof, the opposite side being identical thereto;
FIG. 5 is a top plan view thereof;
FIG. 6 is a bottom plan view thereof;
FIG. 7 is a rear elevational view thereof;
FIG. 8 is a front perspective view thereof showing a component of the beverage dispenser in an alternative configuration; and,
FIG. 9 is a front elevation view thereof in the configuration of FIG. 6.

The dashed lines are for illustrative purposes only and form no part of the claimed design. The dashed and dotted lines are a boundary of the claimed design and form no part of the claimed design.

1 Claim, 8 Drawing Sheets



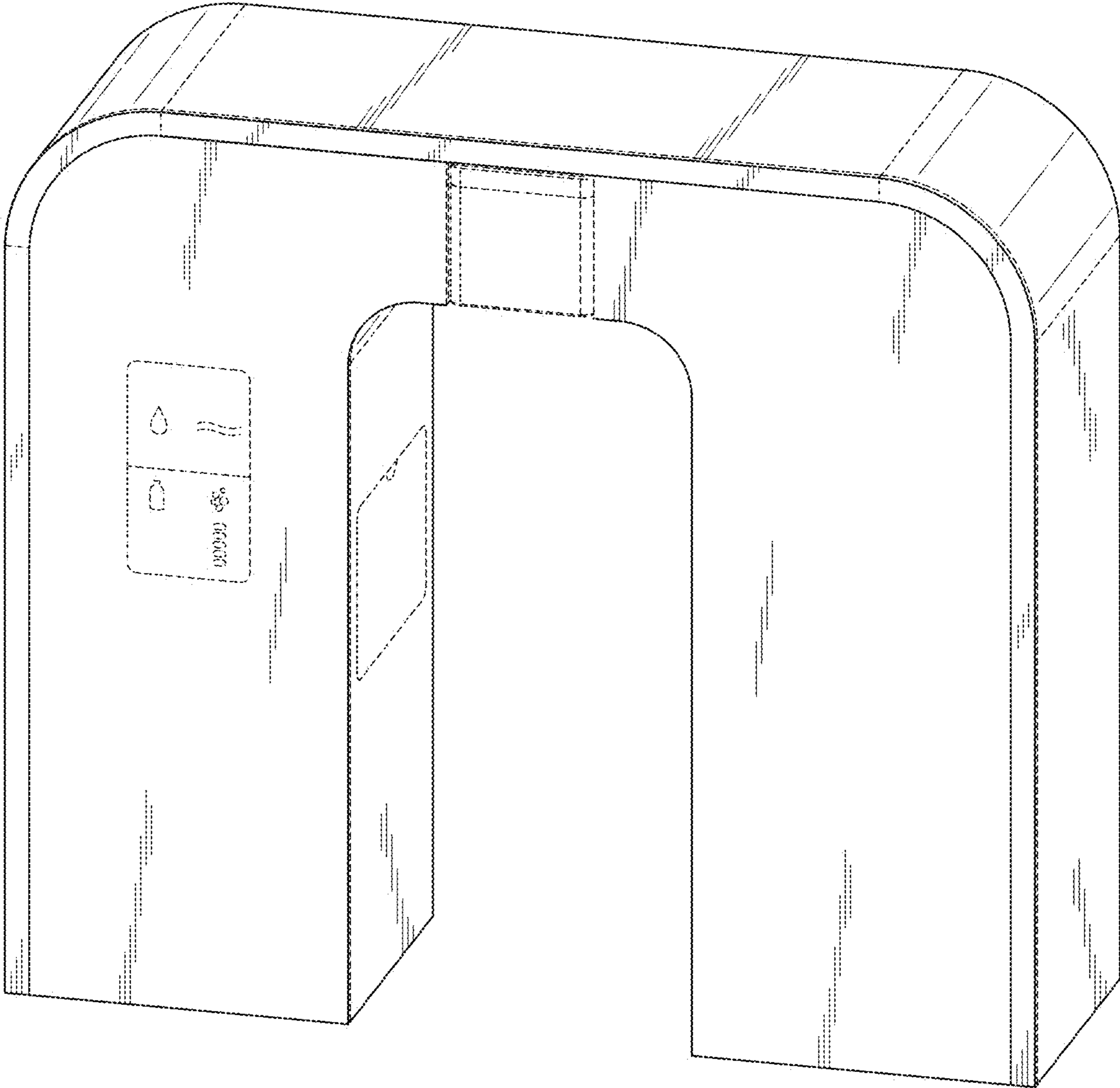


FIG. 1

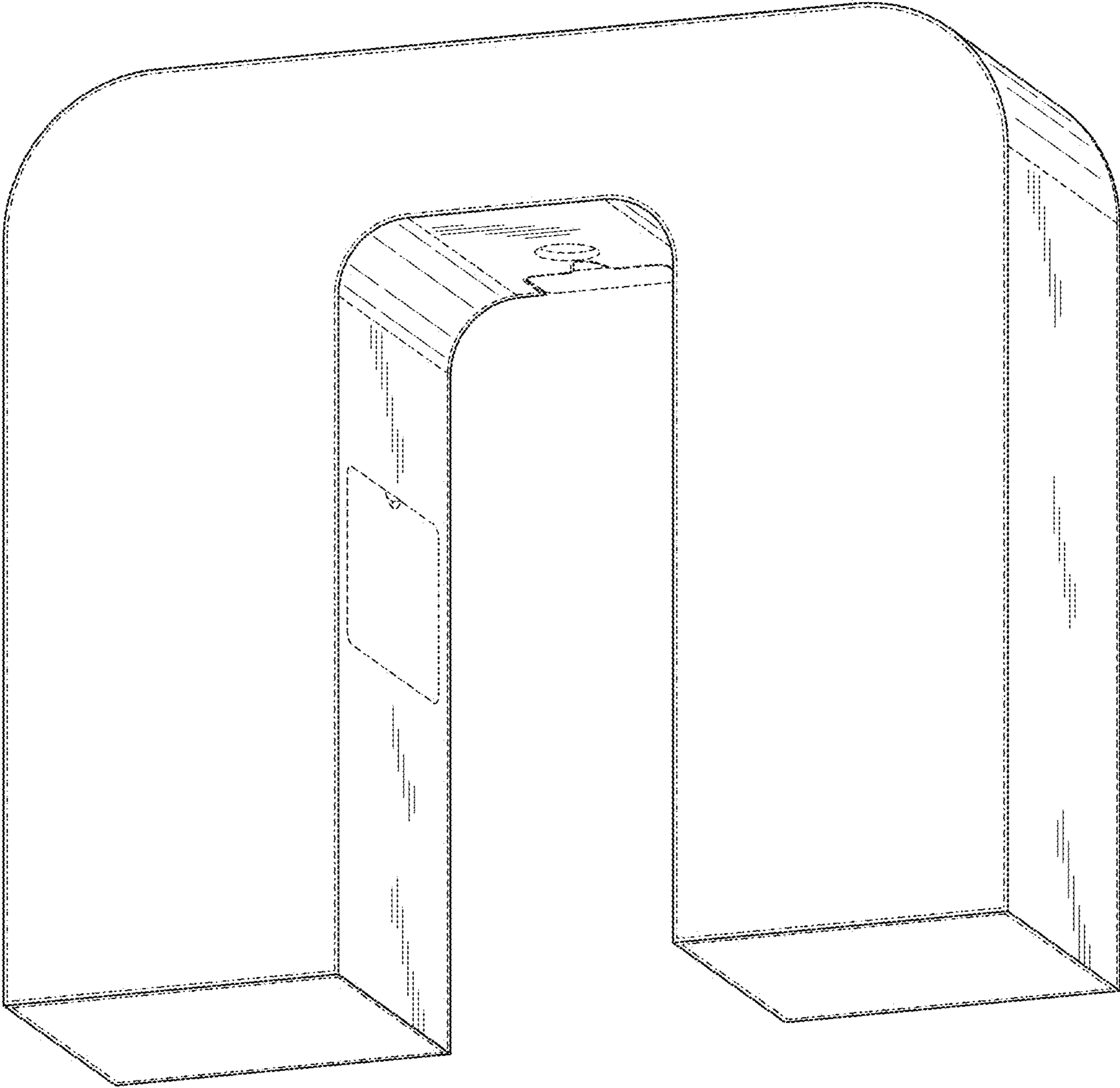


FIG. 2

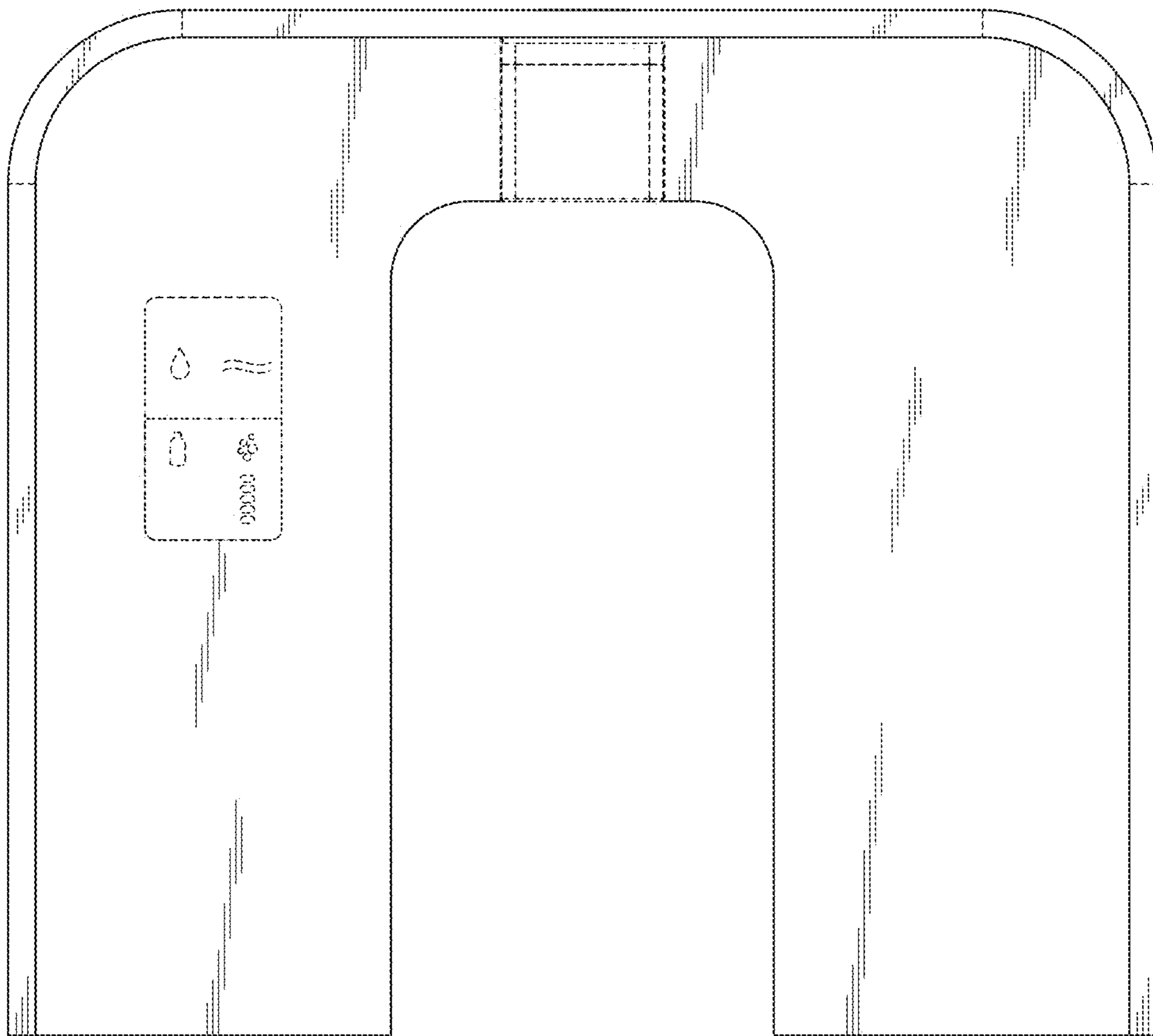


FIG. 3

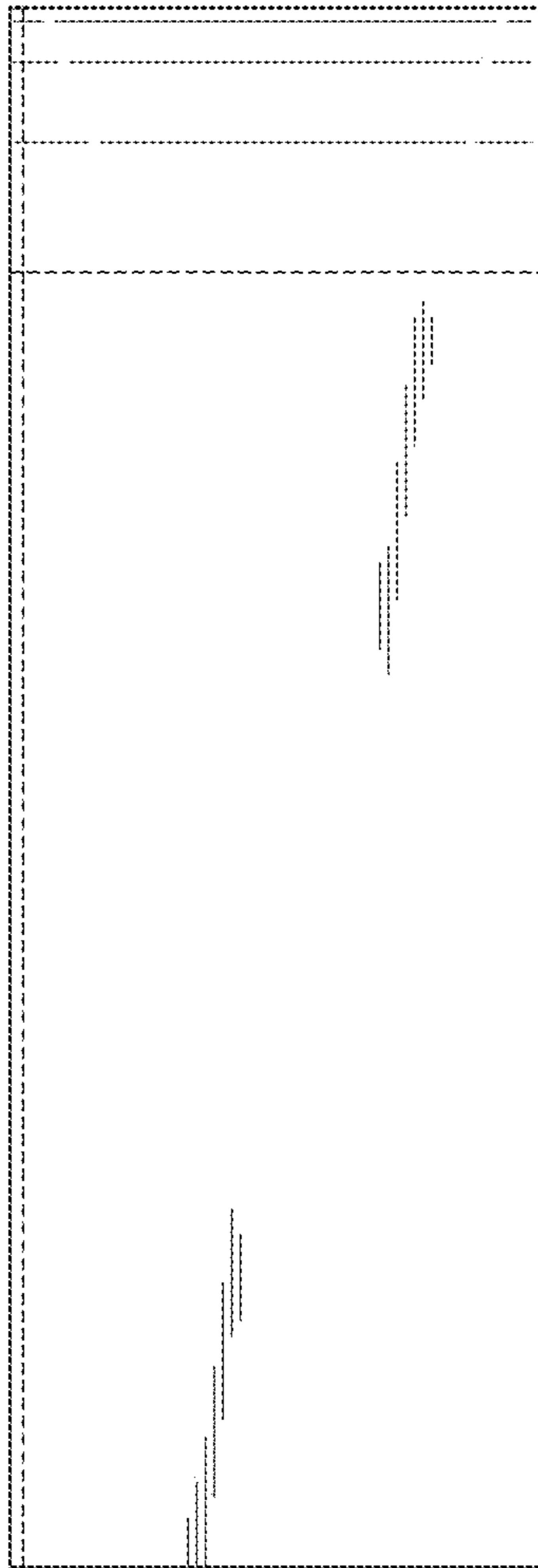


FIG. 4

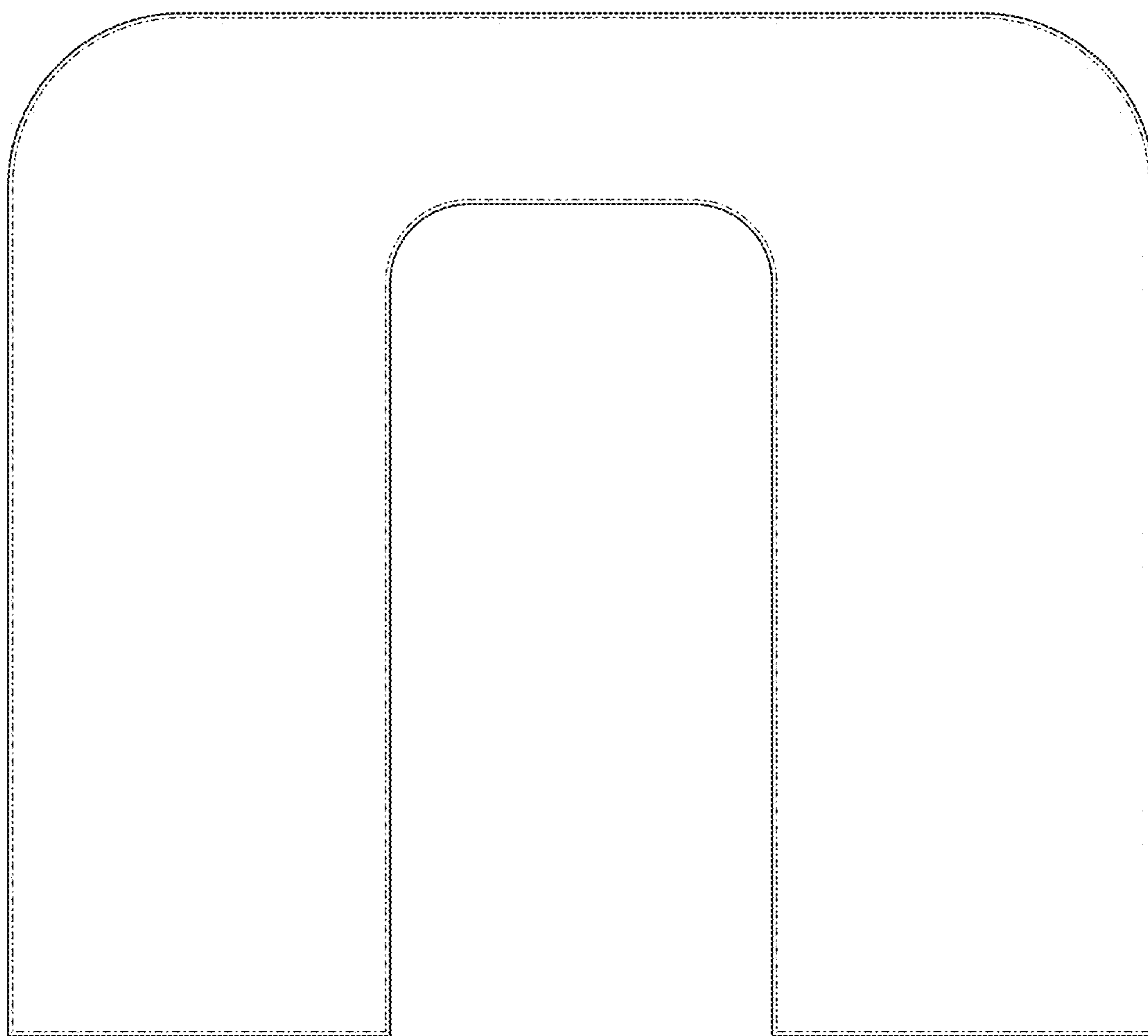


FIG. 5

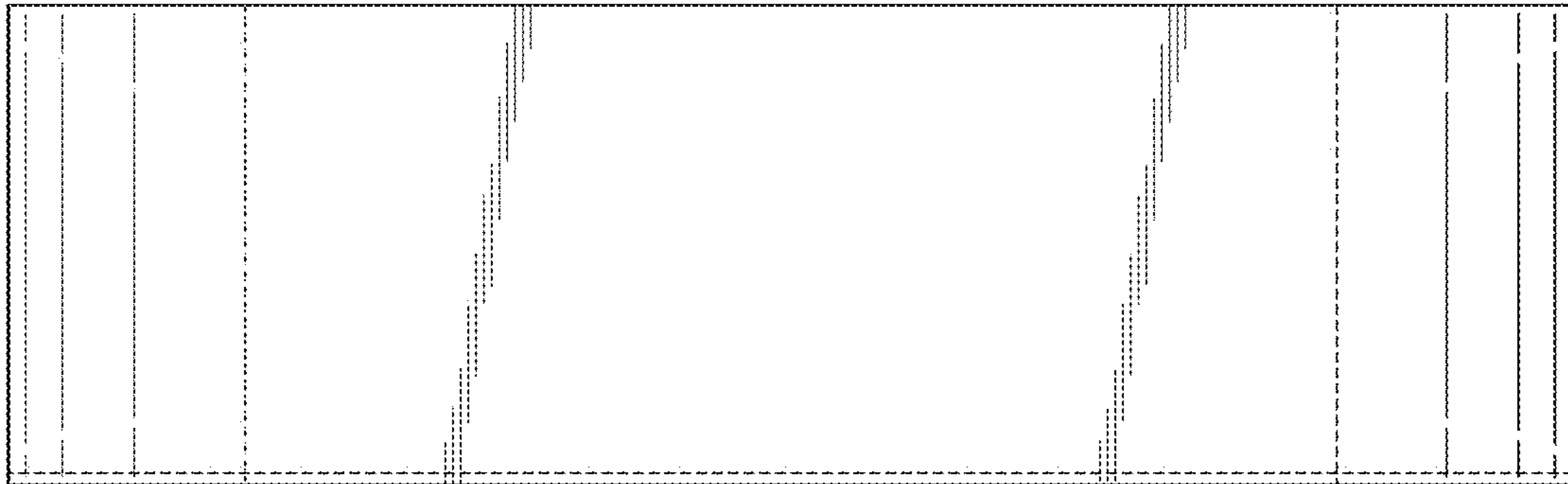


FIG. 6

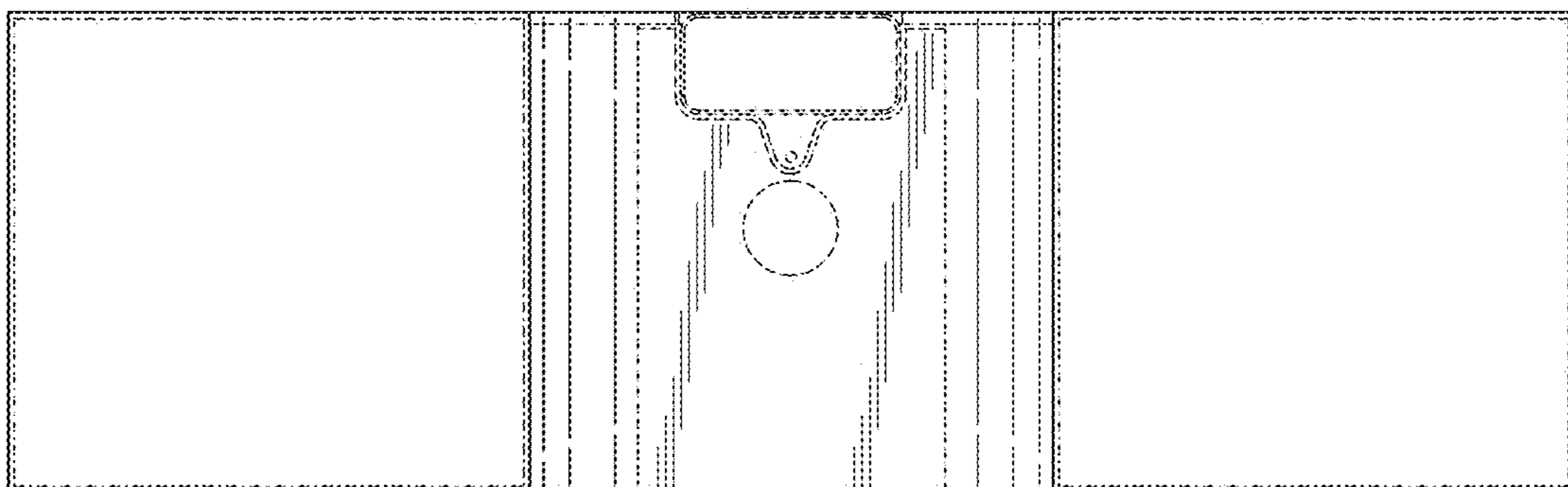


FIG. 7

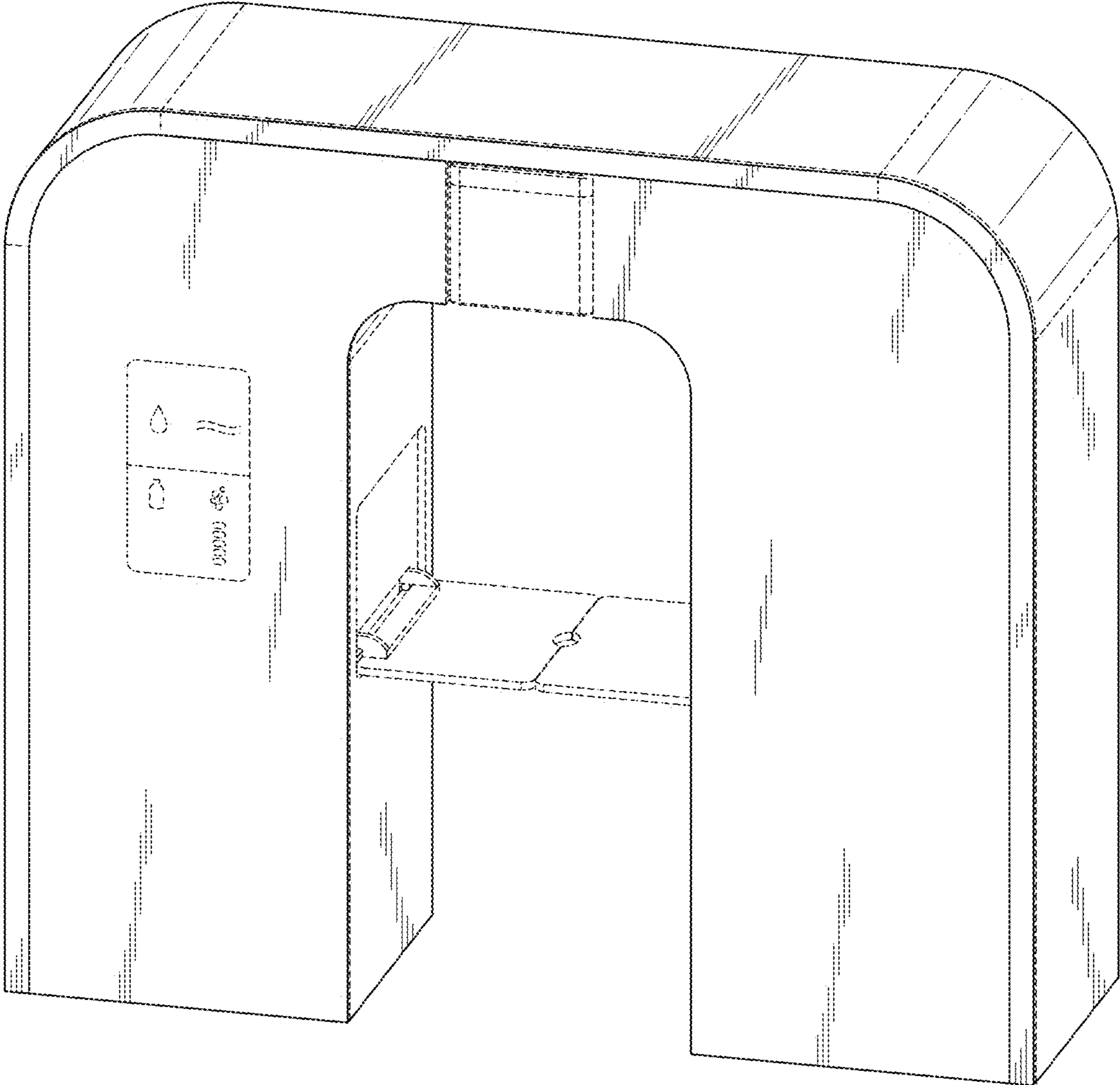


FIG. 8

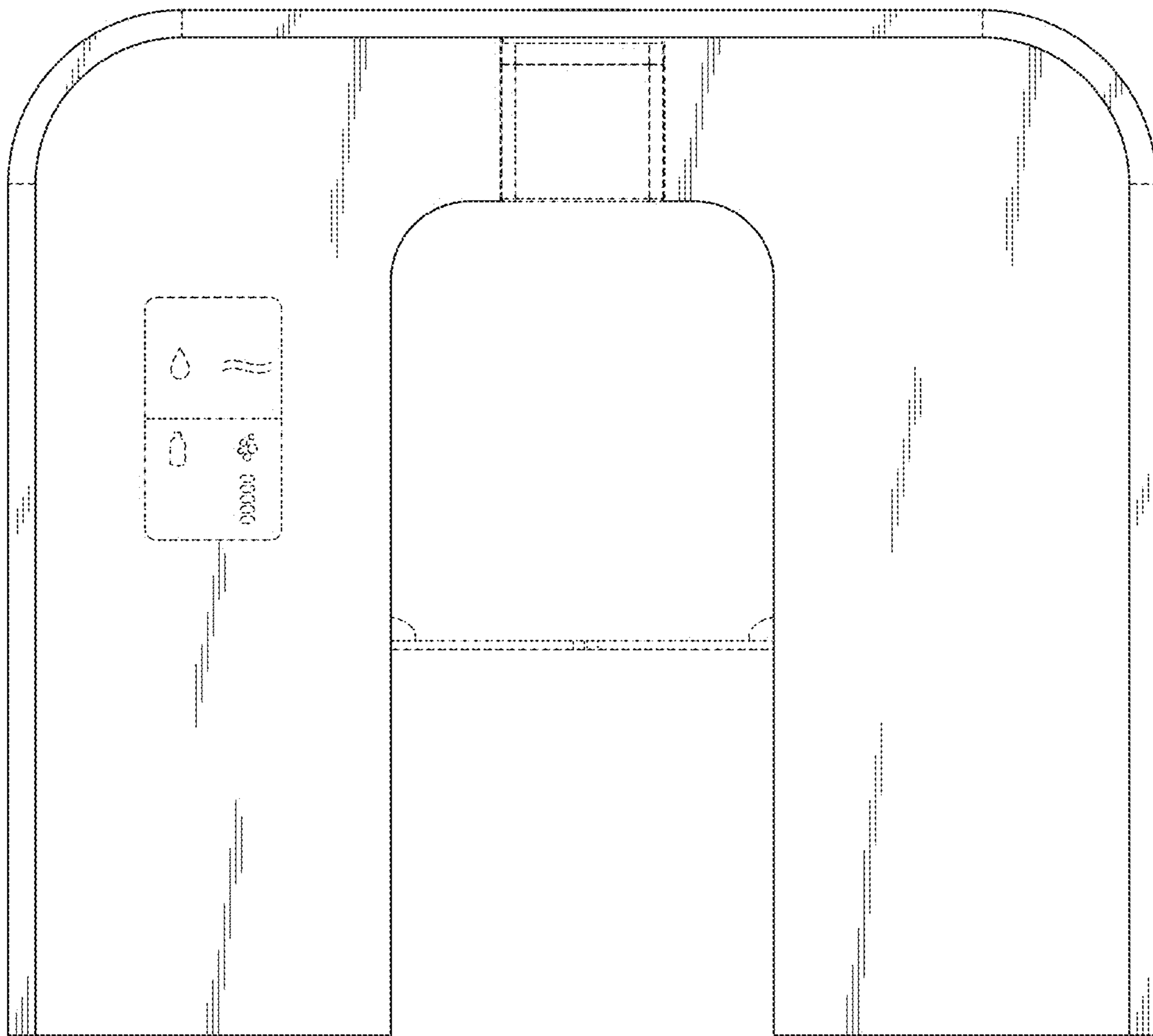


FIG. 9