

US00D867045S

(12) **United States Design Patent** (10) **Patent No.:** **US D867,045 S**
Park (45) **Date of Patent:** **** Nov. 19, 2019**

(54) **FOOT AND LEG SUPPORT DEVICE FOR A CHAIR**

FOREIGN PATENT DOCUMENTS

(71) Applicant: **BRIGHT COMPANY INC.**, Toronto (CA)

CN 103892600 7/2014
JP 2007181614 7/2007

(72) Inventor: **Ae-Kyung Daphne Park**, Toronto (CA)

OTHER PUBLICATIONS

(73) Assignee: **Bright Company Inc.**, Toronto (CA)

International Search Report & Written Opinion dated Jun. 28, 2017 for PCT/CA2017/050355.

(**) Term: **15 Years**

Primary Examiner — Kevin K Rudzinski

(21) Appl. No.: **29/591,935**

Assistant Examiner — Paul D Bohannon

(22) Filed: **Jan. 25, 2017**

(74) *Attorney, Agent, or Firm* — Ridout & Maybee LLP

Related U.S. Application Data

(63) Continuation-in-part of application No. 15/222,360, filed on Jul. 28, 2016, now Pat. No. 9,642,465.

(51) **LOC (12) Cl.** **06-06**

(52) **U.S. Cl.**

USPC **D6/716.6**

(58) **Field of Classification Search**

USPC D6/702, 709.18, 709.2, 709.21, 710, 716, D6/716.6, 716.7; D8/8, 10; D15/24, 25; D21/532

CPC A47C 1/06; A47C 1/0345; A47C 7/50; A47C 7/52; A47C 7/503; A47C 7/506; B60N 2/995; B60N 3/06; B60N 3/063; B62J 25/00; B62H 1/06; Y10T 16/469

See application file for complete search history.

(56) **References Cited**

U.S. PATENT DOCUMENTS

388,981 A 9/1888 La Barbe
D29,022 S * 7/1898 Seaman D6/716
1,854,478 A 4/1932 Meyers
2,524,187 A 10/1950 Boles
2,546,460 A 3/1951 Leeds
2,831,529 A * 4/1958 Williams A47C 1/10
297/404

3,458,234 A 7/1969 Bates
3,820,844 A 6/1974 Fortnam

(Continued)

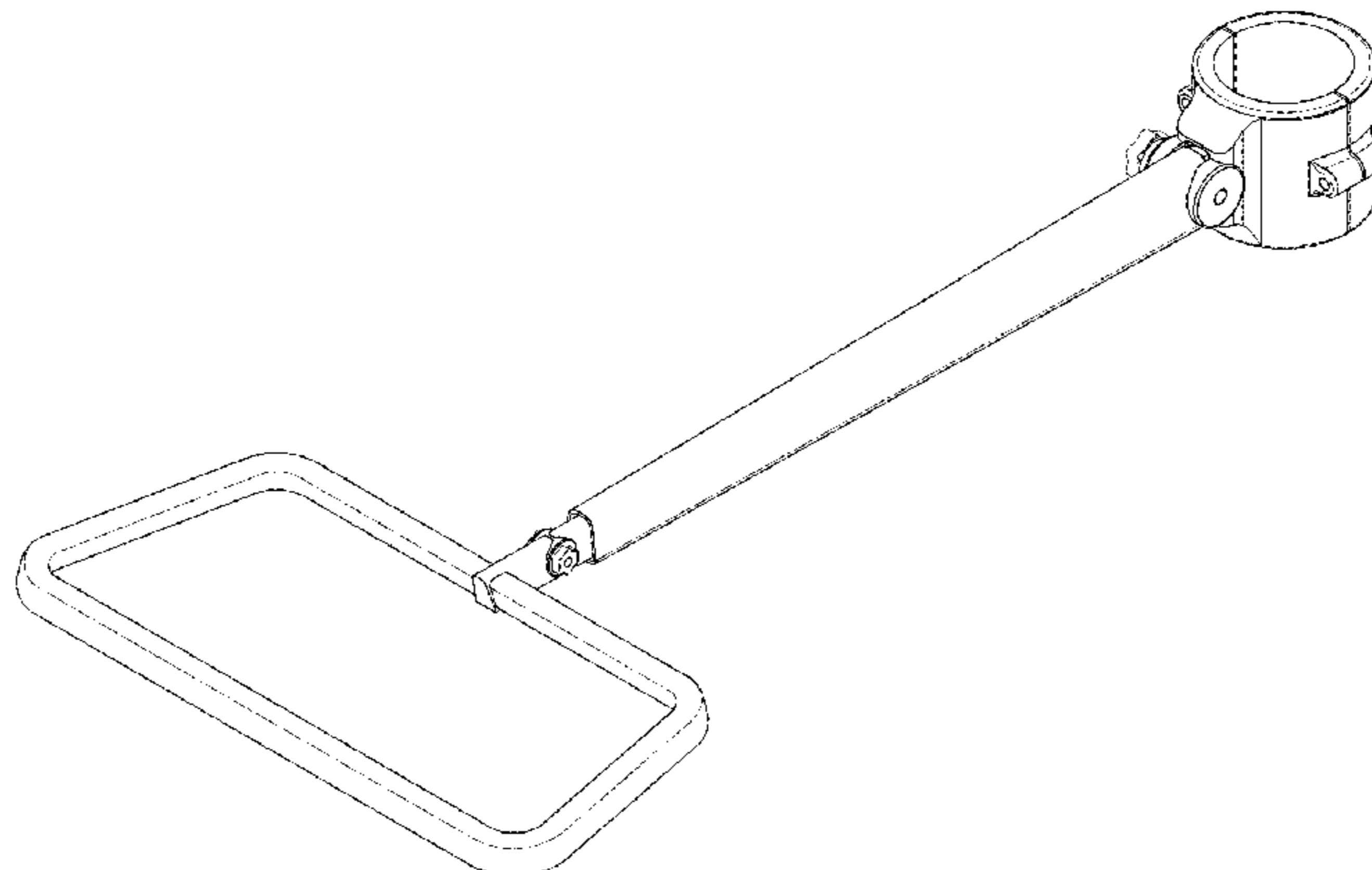
(57) **CLAIM**

The ornamental design for the foot and leg support device for a chair, as shown and described.

DESCRIPTION

FIG. 1 is a perspective view of the foot and leg support device for a chair;
FIG. 2 is a front view of the foot and leg support device for a chair of FIG. 1;
FIG. 3 is a rear view of the foot and leg support device for a chair of FIG. 1;
FIG. 4 is a left side view of the foot and leg support device for a chair of FIG. 1;
FIG. 5 is a right side view of the foot and leg support device for a chair of FIG. 1;
FIG. 6 is a top view of the foot and leg support device for a chair of FIG. 1;
FIG. 7 is a bottom view of the foot and leg support device for a chair of FIG. 1; and,
FIG. 8 is a perspective view of the foot and leg support device for a chair of FIG. 1 shown with environment.
The portions shown in broken lines do not form part of the design.

1 Claim, 6 Drawing Sheets



(56)

References Cited

U.S. PATENT DOCUMENTS

D289,118 S *	4/1987	Opsvik	D6/716	8,534,762 B2 *	9/2013	Linhoff	A47C 7/506
D289,119 S *	4/1987	Opsvik	D6/716					297/423.26
4,767,159 A	8/1988	Opsvik			D738,662 S *	9/2015	Owens	A47C 1/0345
5,174,631 A	12/1992	Schaevitz							D6/716.7
5,351,365 A *	10/1994	Hauck	B65G 7/12	9,220,346 B1	12/2015	Wu		
				16/422	9,365,145 B2 *	6/2016	Millasseau	B60N 3/063
5,979,269 A *	11/1999	Su-Chen	B62J 25/00	9,642,465 B1 *	5/2017	Park	A47C 7/506
				280/291	10,123,620 B2 *	11/2018	Donovan	A47C 1/0242
6,149,238 A	11/2000	Markussen			10,144,105 B1 *	12/2018	Moyer	B24B 21/18
6,607,246 B1	8/2003	Benden			2005/0189808 A1	9/2005	Lin		
6,648,417 B1	11/2003	Gilbert et al.			2005/0253441 A1	11/2005	Benden et al.		
6,695,407 B1	2/2004	Lin			2006/0102816 A1	5/2006	Zhang		
7,032,976 B2	4/2006	Lin			2006/0152061 A1	7/2006	Wu		
7,097,191 B2 *	8/2006	Griggs	B62H 1/02	2006/0175518 A1	8/2006	Hu		
				248/188.9	2007/0290541 A1	12/2007	Tsai		
7,387,343 B1	6/2008	Hsieh			2008/0185896 A1	8/2008	Wei		
7,452,034 B2	11/2008	Jung			2011/0226925 A1	9/2011	Tsai		
8,246,118 B2	8/2012	Moore			2012/0086257 A1	4/2012	Wald		
D674,218 S *	1/2013	Hsuan-Chin	D6/716.6	2014/0070592 A1	3/2014	Yeh		
					2014/0077575 A1	3/2014	Hsieh		
					2014/0265512 A1	9/2014	Pritchard		
					2015/0137575 A1	5/2015	Millasseau		
					2016/0095444 A1	4/2016	Gredinger		

* cited by examiner

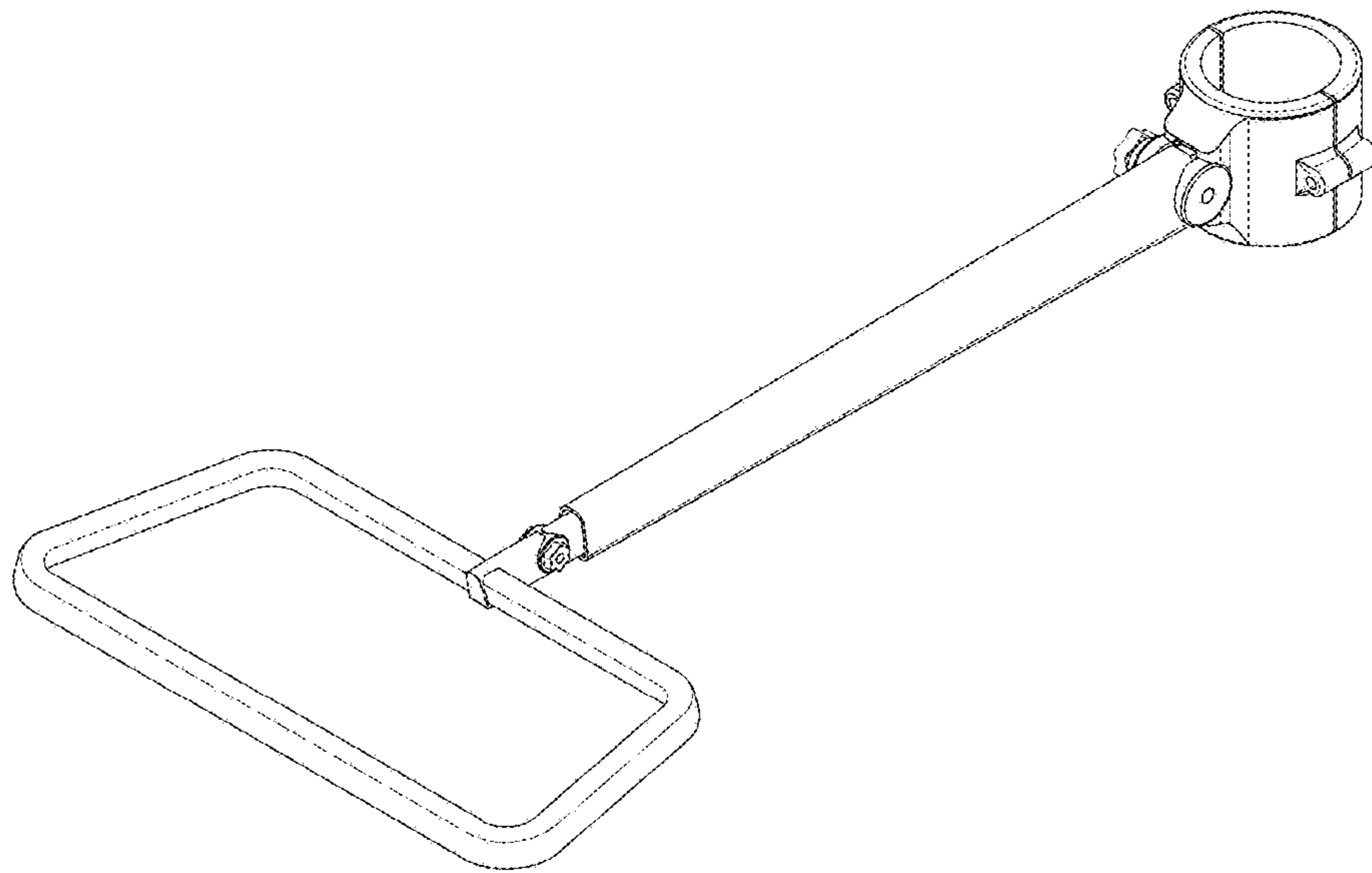


FIG. 1

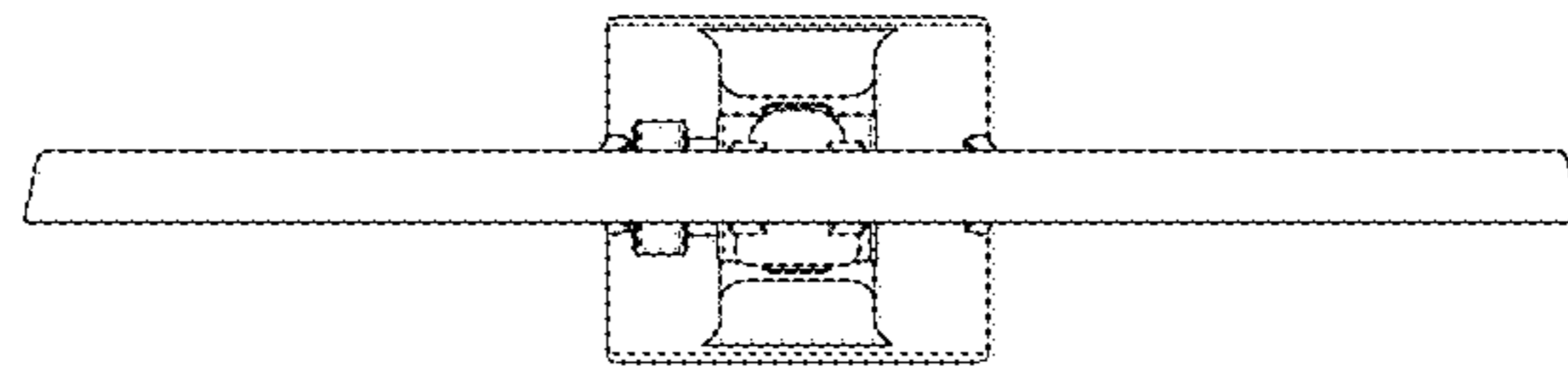


FIG. 2

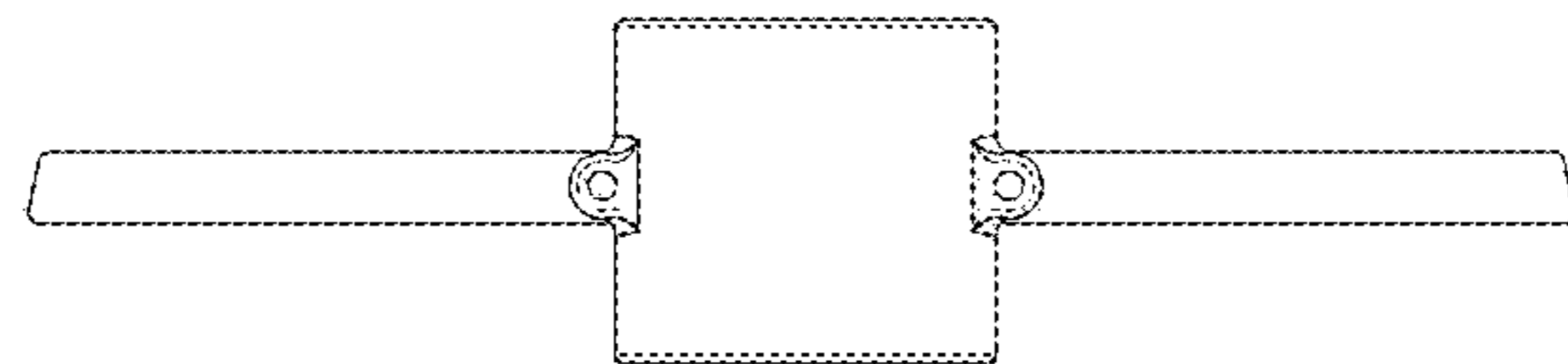


FIG. 3

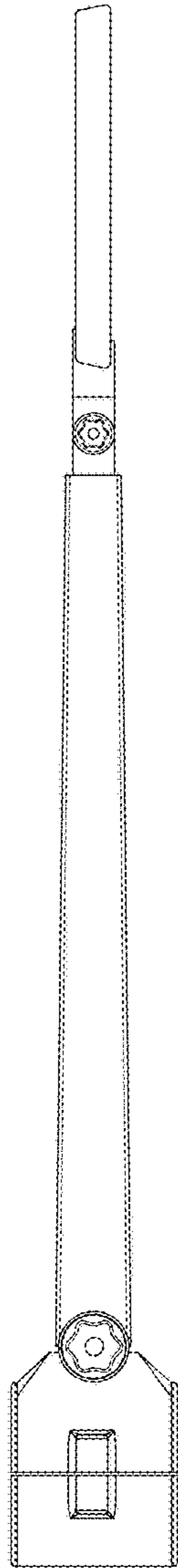


FIG. 4

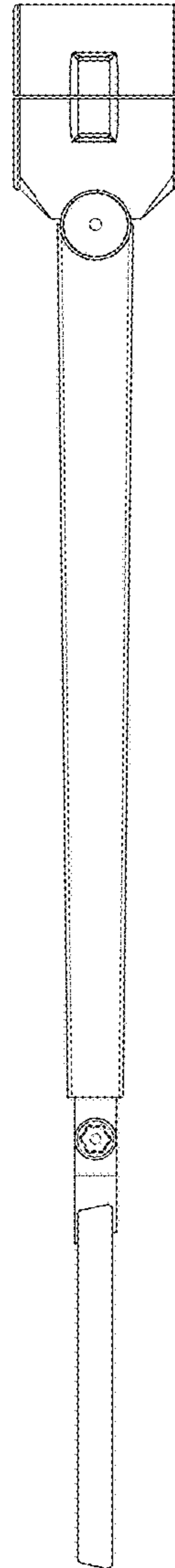


FIG. 5

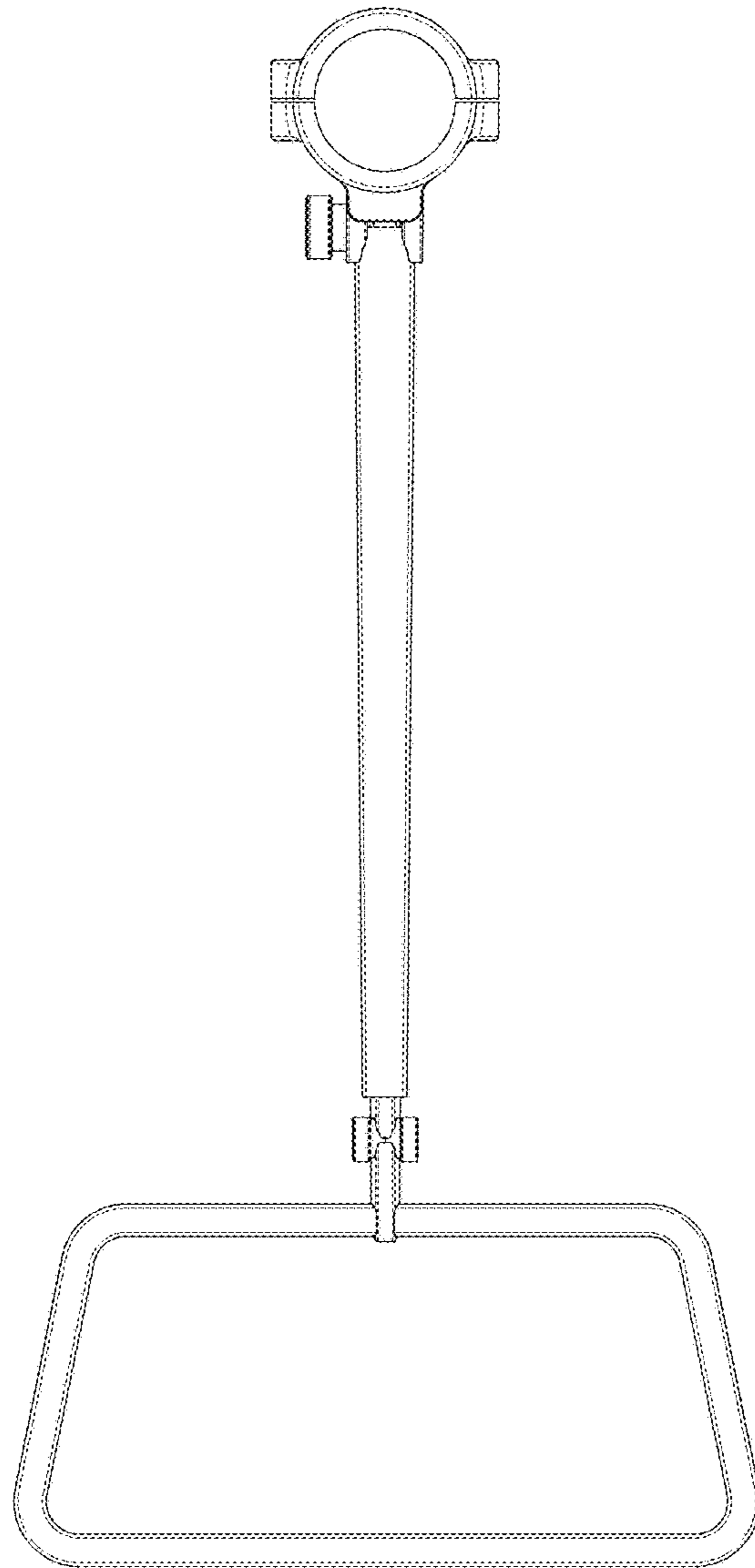


FIG.6

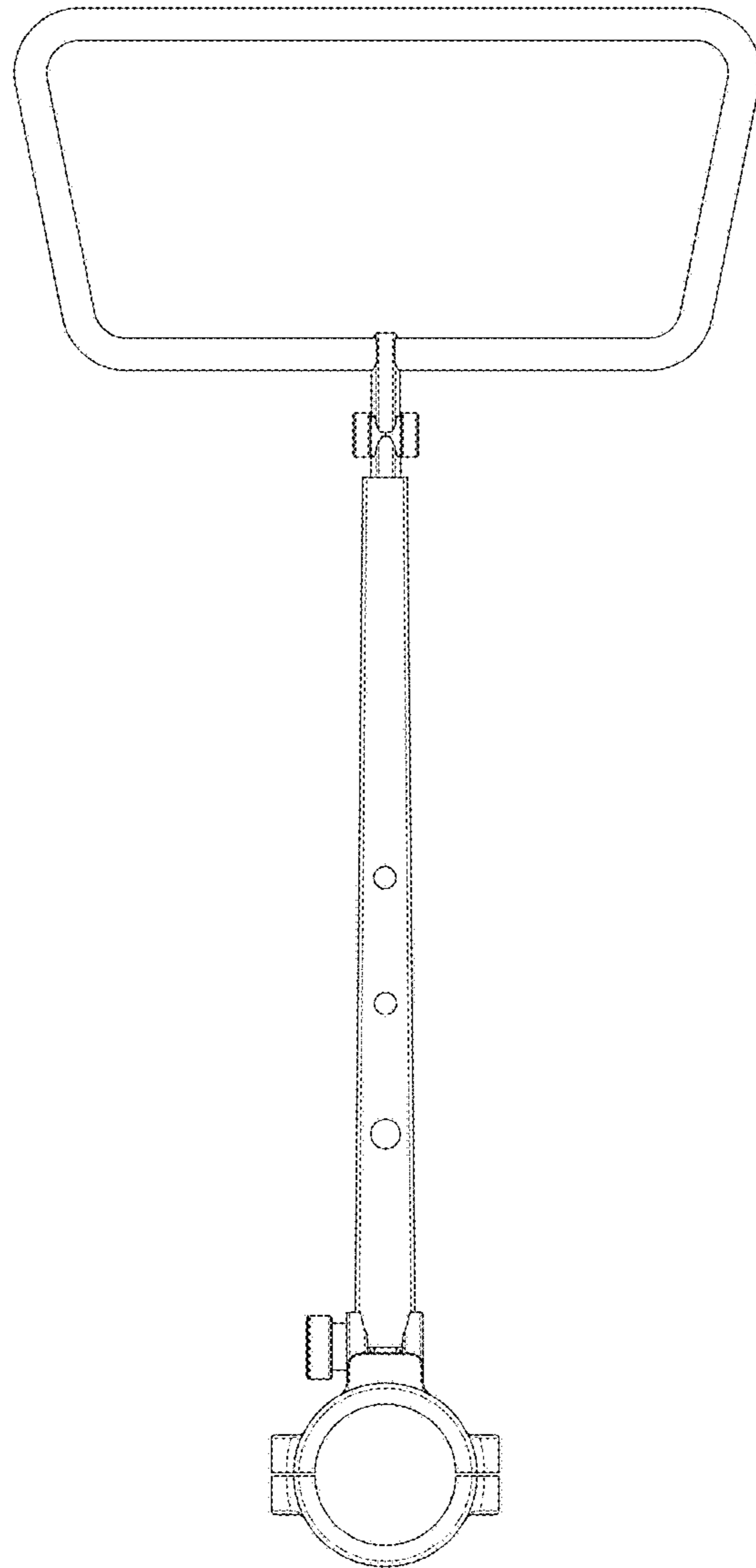


FIG.7

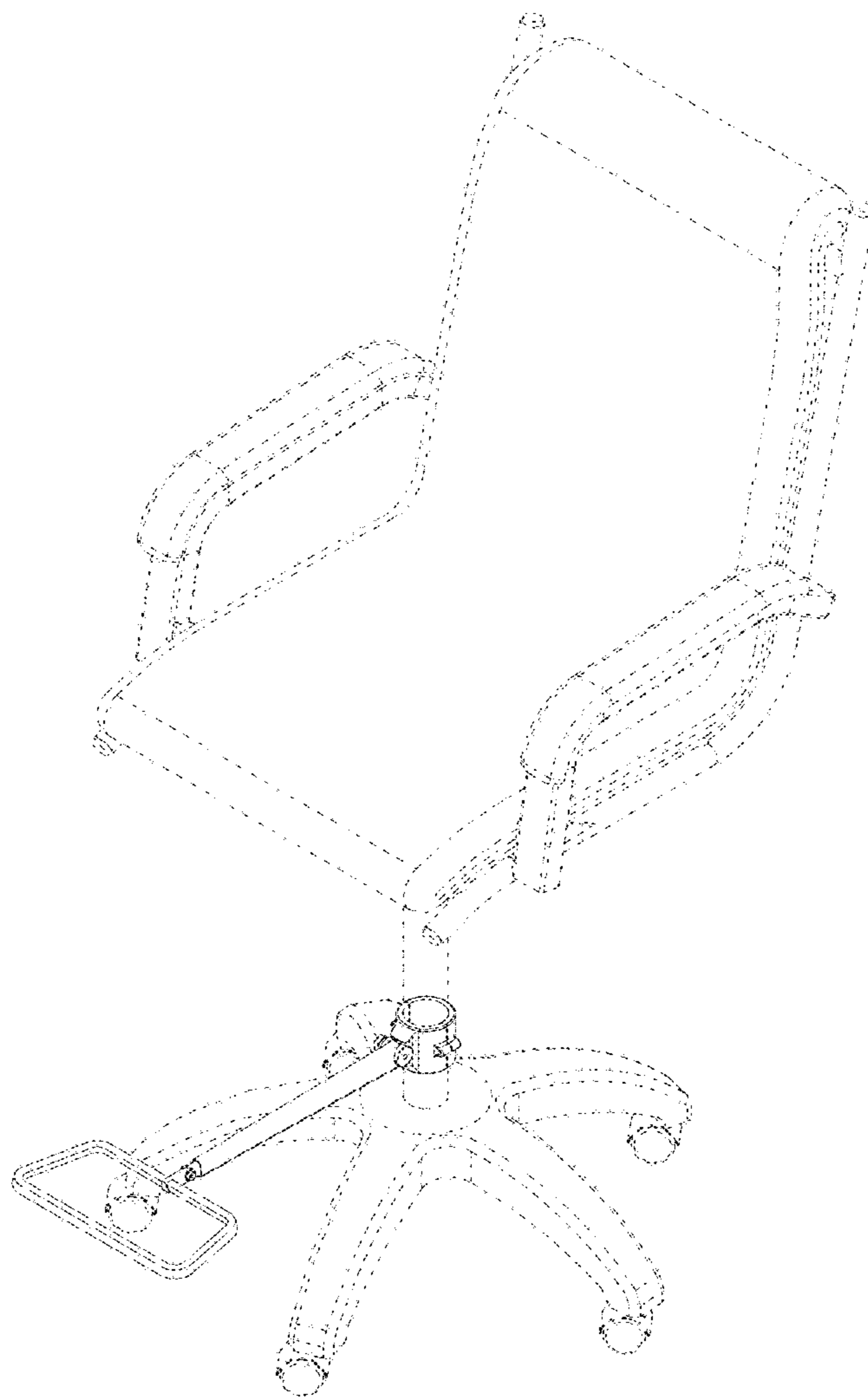


FIG.8