

US00D867042S

(12) **United States Design Patent** (10) **Patent No.:** **US D867,042 S**  
**Hu** (45) **Date of Patent:** **\*\* Nov. 19, 2019**

(54) **KEYBOARD DESK WITH GROOVE**

(71) Applicant: **Yajun Hu**, El Dorado Hills, CA (US)

(72) Inventor: **Yajun Hu**, El Dorado Hills, CA (US)

(73) Assignees: **Yajun Hu**, El Dorado Hills, CA (US);  
**EUREKA LLC.**, El Dorado Hills, CA (US)

(\*\*) Term: **15 Years**

(21) Appl. No.: **29/607,172**

(22) Filed: **Jun. 10, 2017**

(51) **LOC (12) Cl.** ..... **06-06**

(52) **U.S. Cl.**  
USPC ..... **D6/708**

(58) **Field of Classification Search**  
USPC ..... D6/353, 368, 642, 655, 655.1, 655.13,  
D6/655.14, 655.2, 655.21, 686, 687, 691,  
D6/691.9, 704, 708  
CPC .... A47B 1/00; A47B 7/00; A47B 9/00; A47B  
9/10; A47B 9/16; A47B 2009/006; A47B  
11/00; A47B 13/00; A47B 13/081; A47B  
21/0073; A47B 21/02; A47B 21/03; A47B  
2200/005; A47B 2200/0064

See application file for complete search history.

(56) **References Cited**

**U.S. PATENT DOCUMENTS**

D478,225 S	8/2003	Wang
D499,273 S	12/2004	Chang
D499,576 S	12/2004	Long
D526,812 S	8/2006	Chen
D547,970 S	8/2007	Chou
D549,009 S	8/2007	Lin
D583,587 S	12/2008	Lai
D586,150 S	2/2009	Lai
D586,588 S	2/2009	Lai
D618,017 S	6/2010	Sexton
D635,797 S	4/2011	Xingyin

D771,982 S	*	11/2016	Flaherty	.....	D6/655
D781,617 S	*	3/2017	Flaherty	.....	D6/655
D781,618 S	*	3/2017	Flaherty	.....	D6/655
D781,619 S	*	3/2017	Flaherty	.....	D6/655
D784,050 S	*	4/2017	Flaherty	.....	D6/655
D814,214 S	*	4/2018	Flaherty	.....	D6/648
D832,002 S	*	10/2018	Hu	.....	D6/655.13
D836,952 S	*	1/2019	Hu	.....	D6/648
D841,369 S	*	2/2019	Hu	.....	D6/655
D843,137 S	*	3/2019	Hu	.....	D6/655
D845,037 S	*	4/2019	Min	.....	D6/655
D852,548 S	*	7/2019	Hu	.....	D6/655
2019/0110588 A1	*	4/2019	Wong	.....	A47B 9/16

**OTHER PUBLICATIONS**

Eureka, posted at Amazon.com, posted on Aug. 30, 2017, site visited Aug. 14, 2019. online, available from internet: <https://www.amazon.com/Eureka-Ergonomic-Height-Adjustable-Sit-Stand-2-Inch-Wide/dp/B07585C76B> (Year: 2017).\*

\* cited by examiner

*Primary Examiner* — Mary Ann Calabrese

*Assistant Examiner* — Catherine Ho

(57) **CLAIM**

The ornamental design for a keyboard desk with groove, as shown and described.

**DESCRIPTION**

FIG. 1 is a perspective view of a keyboard desk with groove, showing my new design;

FIG. 2 is a front view thereof;

FIG. 3 is a bottom view thereof;

FIG. 4 is a top view thereof;

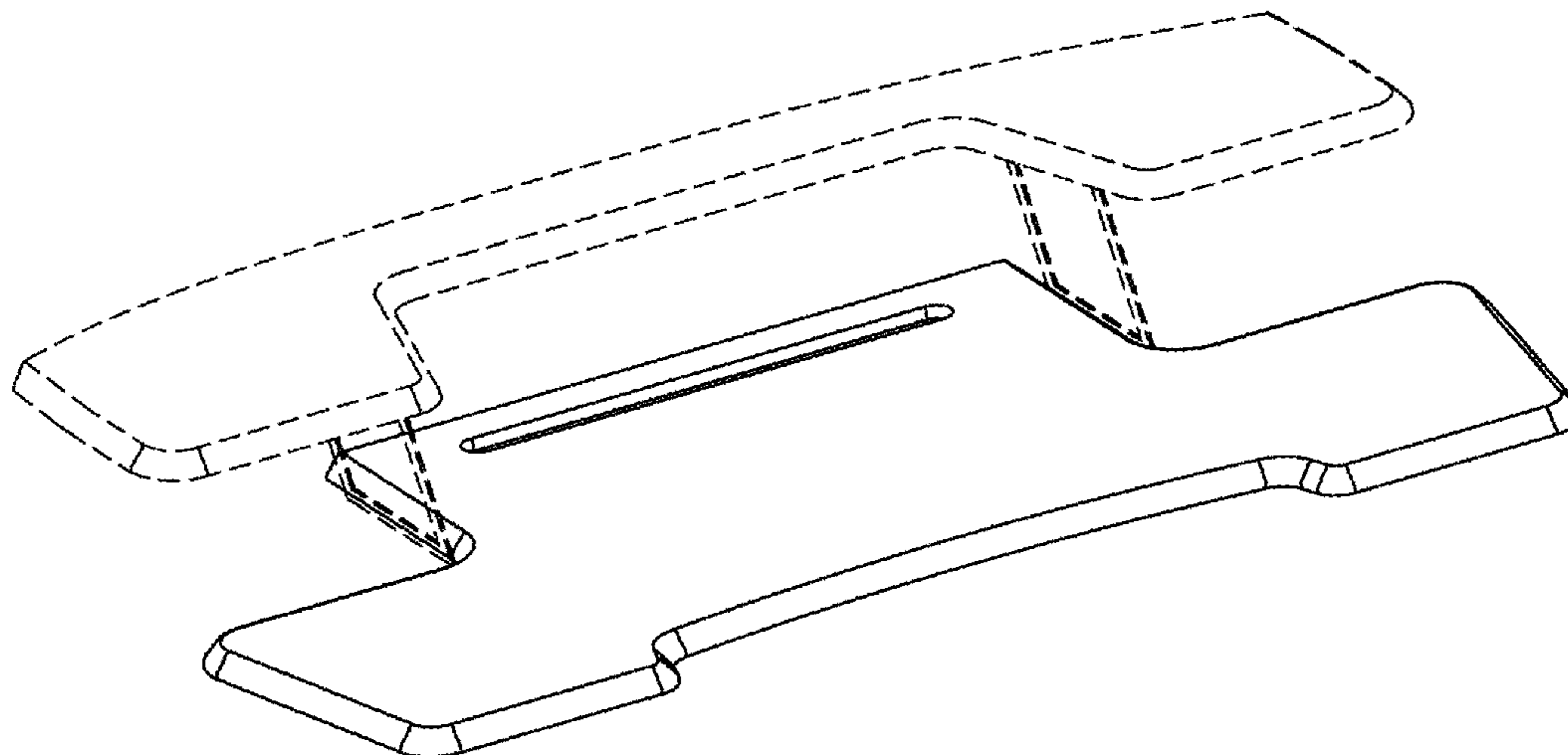
FIG. 5 is a rear side view thereof;

FIG. 6 is a left side view thereof; and,

FIG. 7 is a right side view thereof.

The broken line portion of the figure drawings is included to show environment that form no part of the claimed design.

**1 Claim, 7 Drawing Sheets**



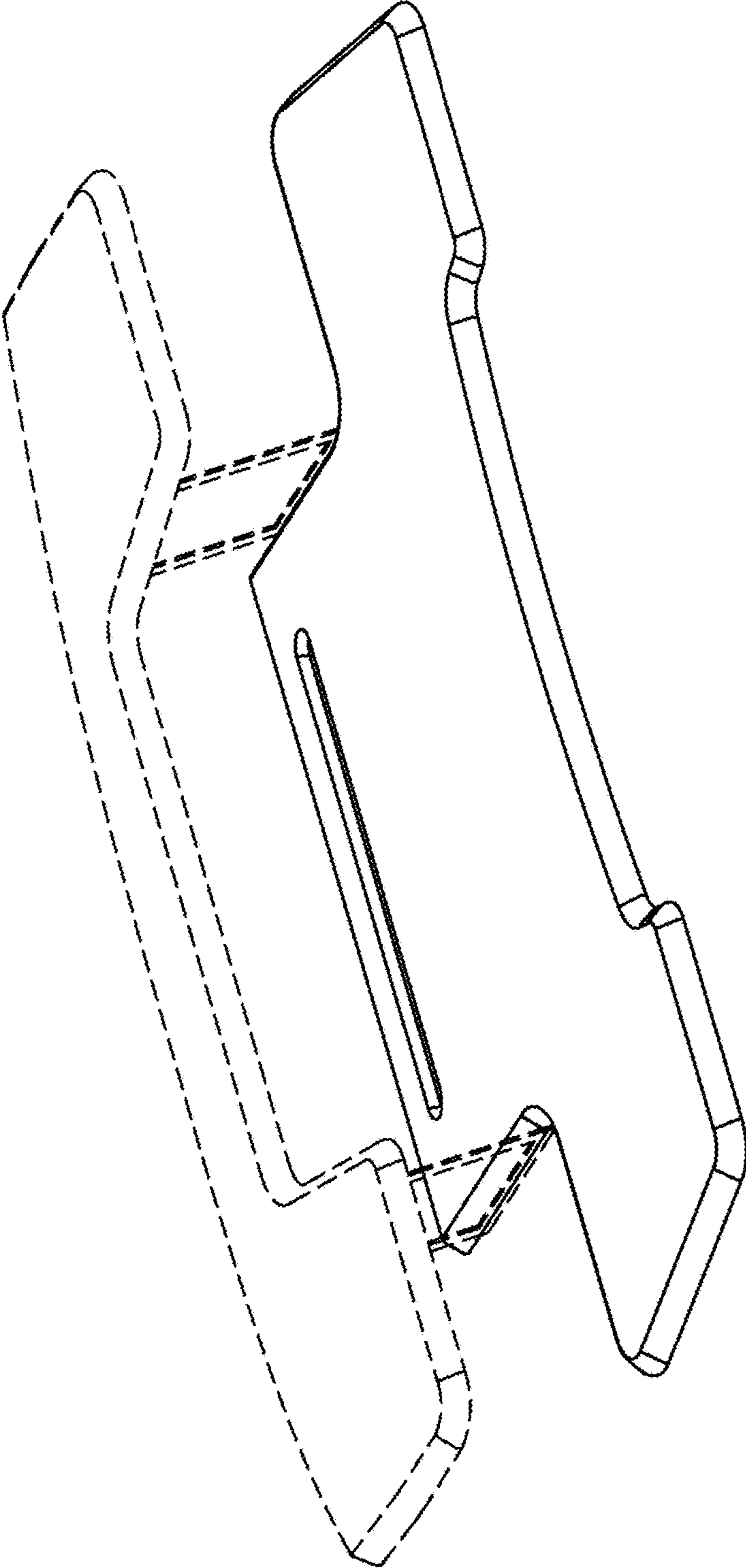


FIG.1

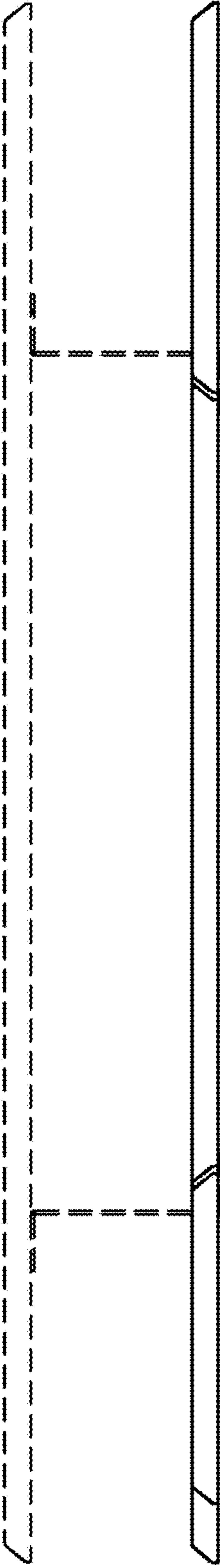


FIG. 2

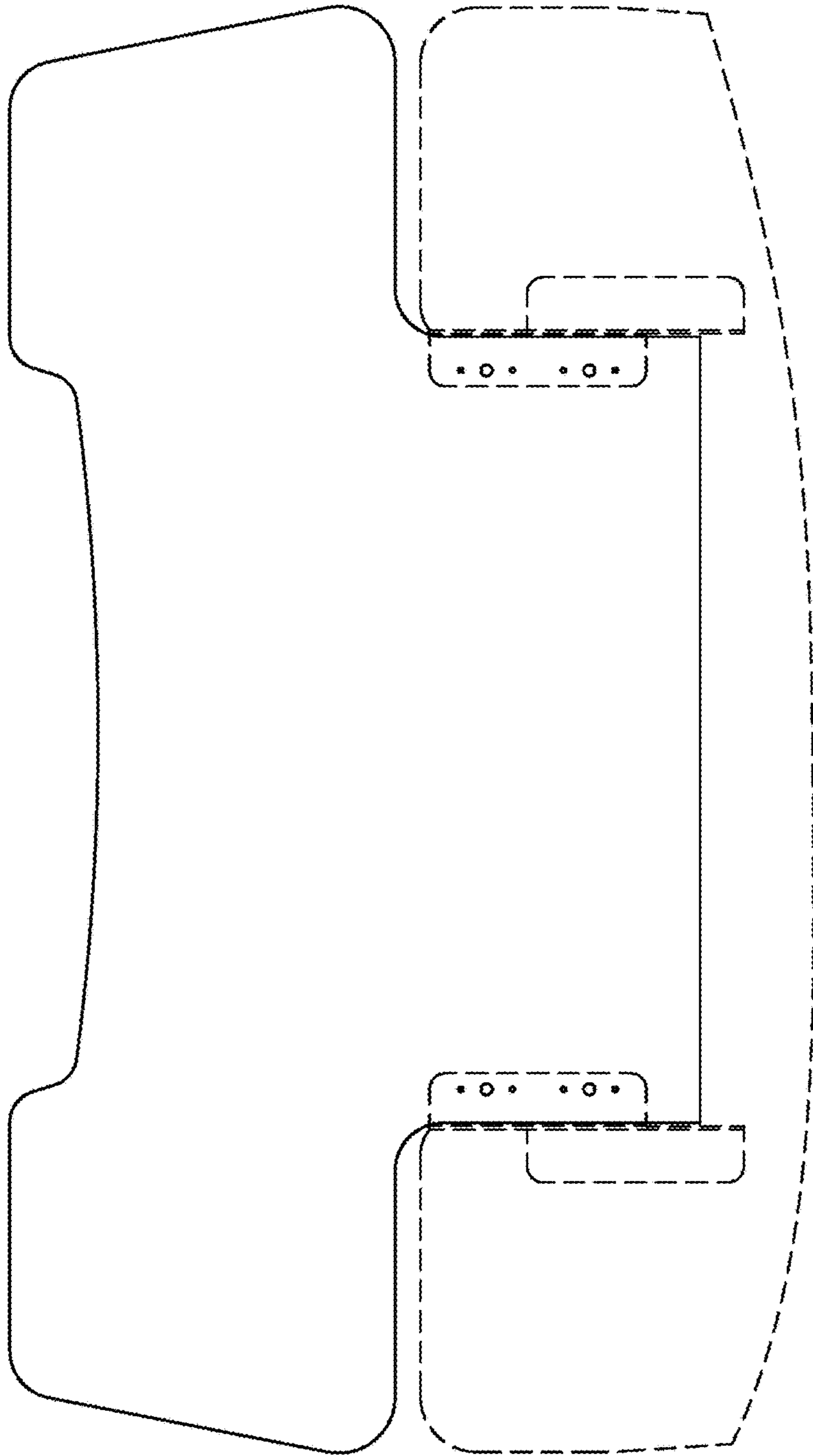


FIG. 3

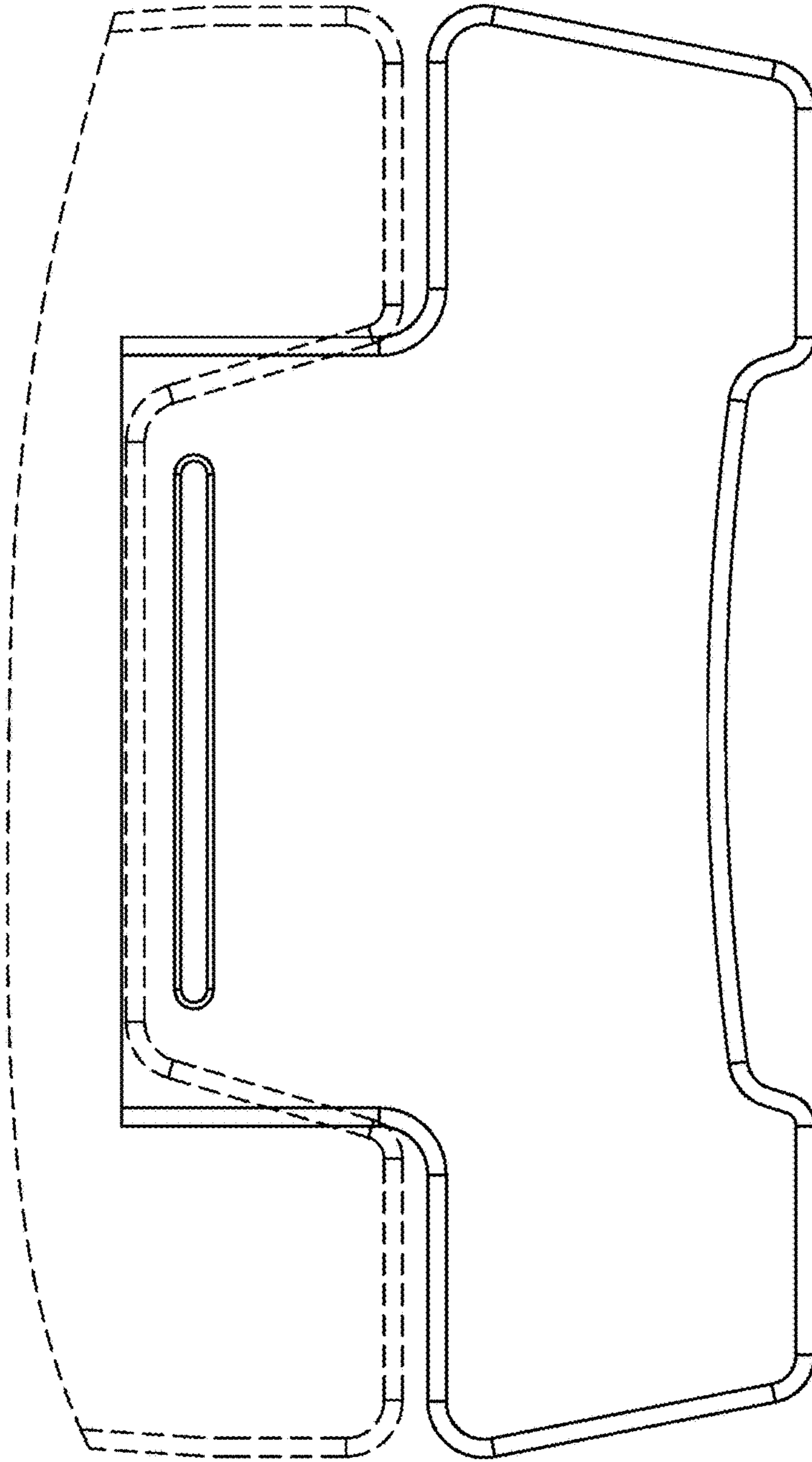


FIG. 4

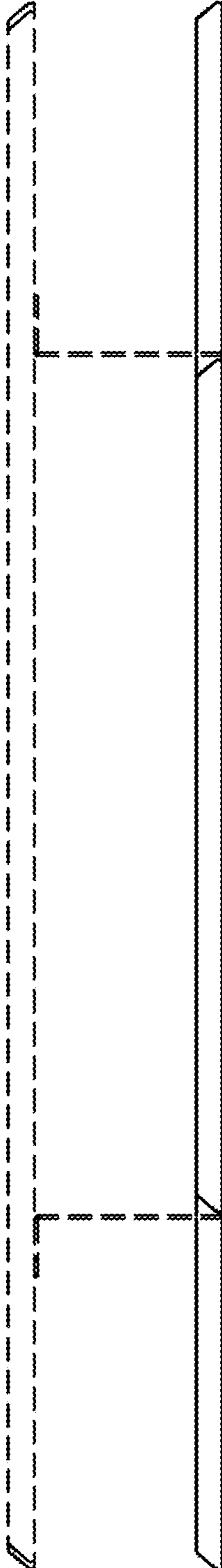


FIG. 5

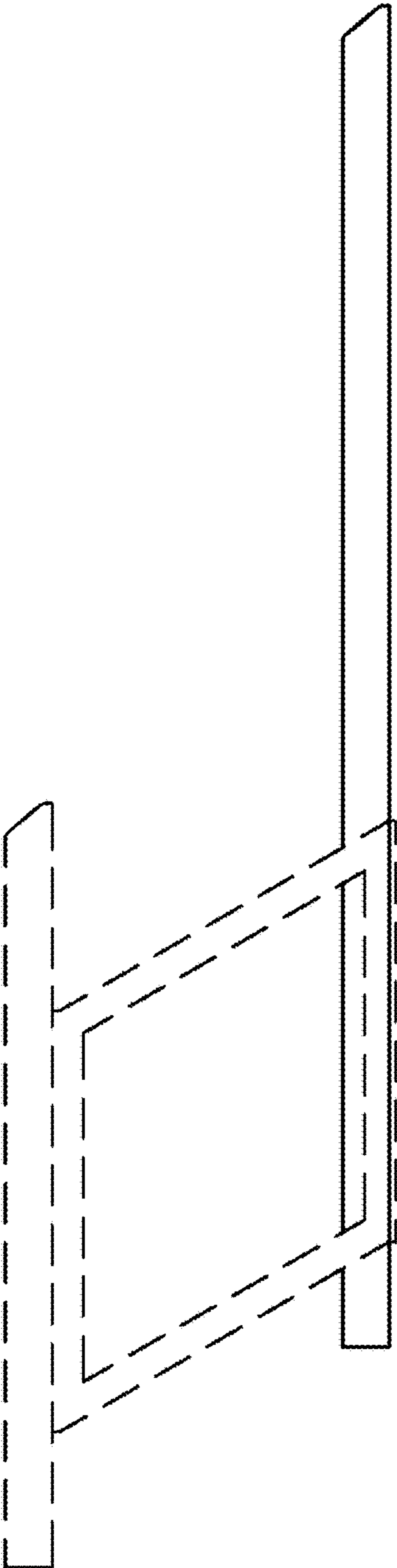


FIG. 6



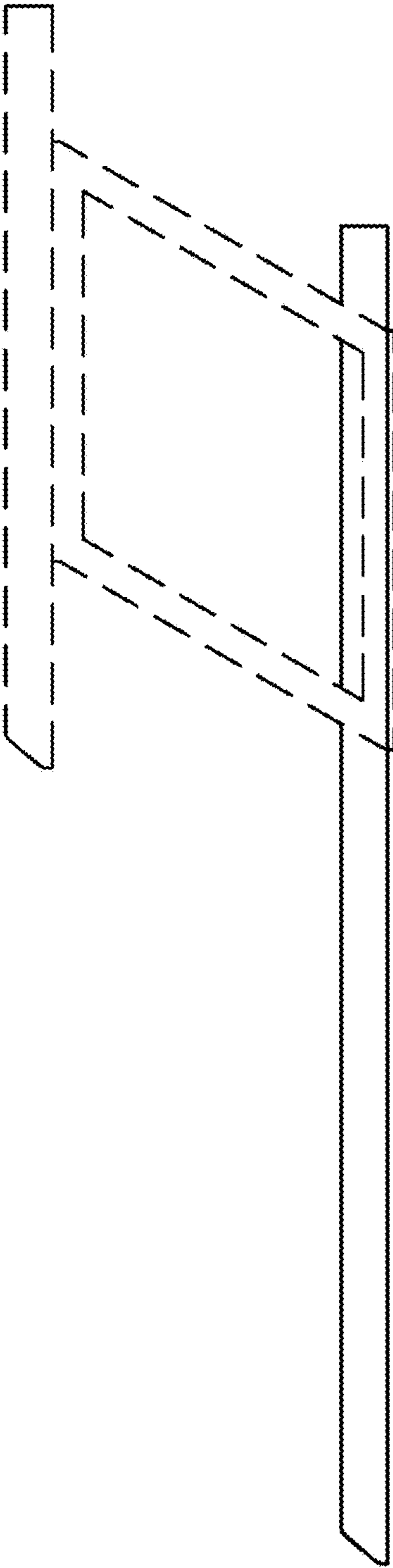


FIG. 7