

US00D867036S

(12) **United States Design Patent** (10) **Patent No.:** **US D867,036 S**
Brugger et al. (45) **Date of Patent:** **** Nov. 19, 2019**

(54) **RETAIL FIXTURE**

FOREIGN PATENT DOCUMENTS

(71) Applicant: **Apple Inc.**, Cupertino, CA (US)
(72) Inventors: **Alice Marlin Brugger**, San Francisco, CA (US); **Manuel DeJesus**, San Francisco, CA (US); **Joshua Robert Edwards**, Santa Cruz, CA (US); **Jean-Marc Gady**, Los Altos, CA (US); **Wesley Bryan Hamm**, San Francisco, CA (US); **Russell John Kaaihue Heirakuji**, Cupertino, CA (US); **Allison Inouye**, San Francisco, CA (US); **Moritz Wilsberg**, Menlo Park, CA (US)

EM 002886234-0011 2/2016
EM 002992065-0002 2/2016
WO DM-082406 10/2013

OTHER PUBLICATIONS

Japanese Patent Office document HB23000547, Nachrichten, Feb. 2011 (2 Pages).

Primary Examiner — Kelley A Donnelly
(74) *Attorney, Agent, or Firm* — Sterne, Kessler, Goldstein & Fox P.L.L.C.

(73) Assignee: **Apple Inc.**, Cupertino, CA (US)

(**) Term: **15 Years**

(21) Appl. No.: **29/681,844**

(22) Filed: **Feb. 28, 2019**

Related U.S. Application Data

(63) Continuation of application No. 29/655,973, filed on Jul. 9, 2018.

(51) **LOC (12) Cl.** **06-06**

(52) **U.S. Cl.**
USPC **D6/675**

(58) **Field of Classification Search**
USPC D6/672, 675, 675.1, 678, 678.1, 682, D6/682.3, 682.4, 683, 683.1
CPC A47B 73/00; A47B 73/002; A47B 47/00; A47B 47/008; A47B 47/25; A47F 5/00; A47F 5/0062

See application file for complete search history.

(56) **References Cited**

U.S. PATENT DOCUMENTS

435,254 A 8/1890 Straughan
455,280 A 6/1891 Emerson
464,148 A 12/1891 Campbell

(Continued)

(57) **CLAIM**

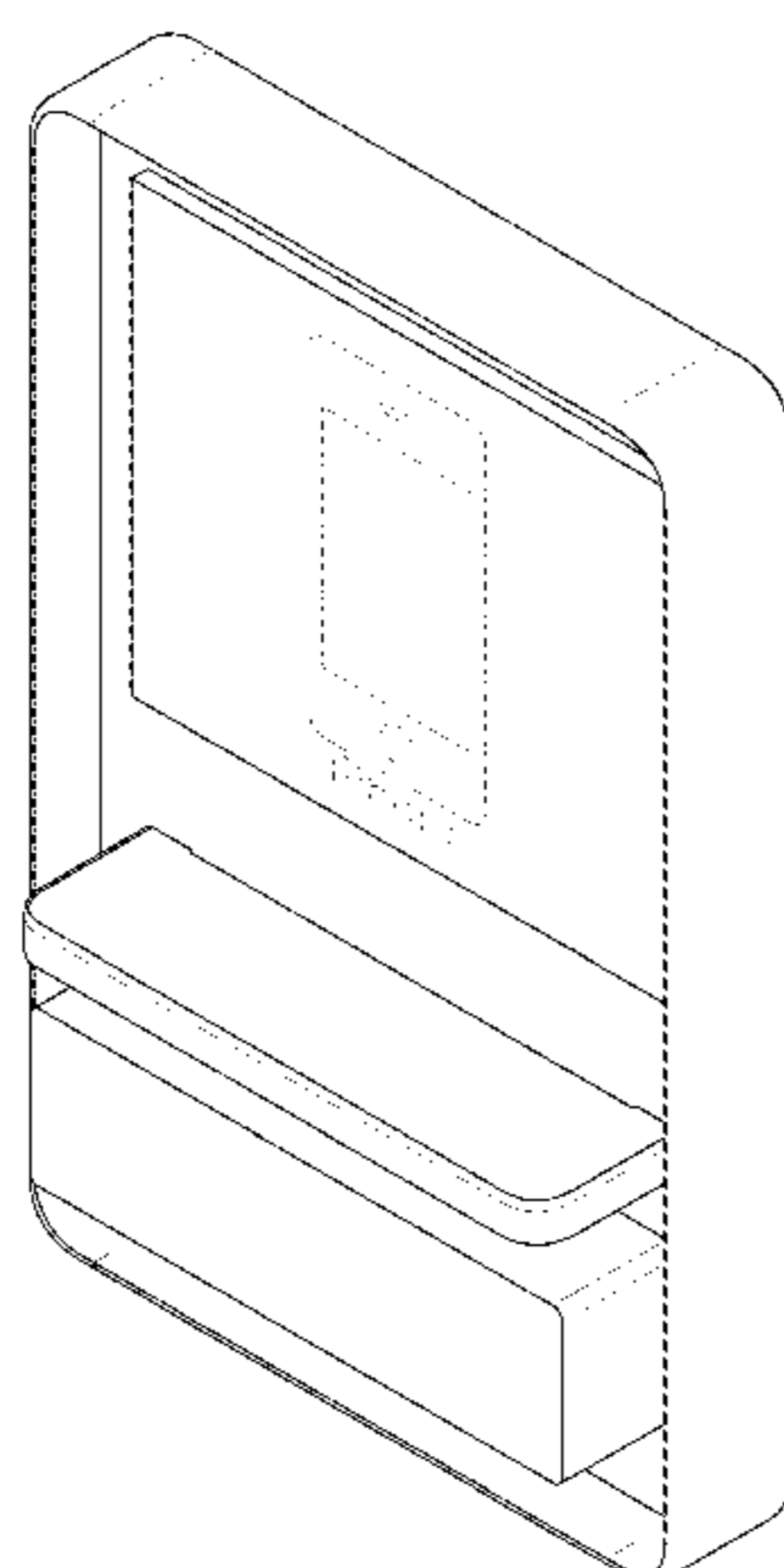
The ornamental design for a retail fixture, as shown and described.

DESCRIPTION

FIG. 1 is a top front perspective view of a retail fixture showing the claimed design;
FIG. 2 is a front view thereof;
FIG. 3 is a rear view thereof;
FIG. 4 is a left side view thereof;
FIG. 5 is a right side view thereof;
FIG. 6 is a top view thereof;
FIG. 7 is a bottom view thereof;
FIG. 8 is a top front perspective view of another retail fixture showing the claimed design;
FIG. 9 is a front view thereof;
FIG. 10 is a rear view thereof;
FIG. 11 is a left side view thereof;
FIG. 12 is a right side view thereof;
FIG. 13 is a top view thereof; and,
FIG. 14 is a bottom view thereof.

The broken lines in the figures show portions of the retail fixture that form no part of the claimed design.

1 Claim, 10 Drawing Sheets



(56)

References Cited

U.S. PATENT DOCUMENTS

D41,125 S	1/1911	Klee	
D144,844 S	5/1945	Dunham	
3,014,773 A	12/1961	Foote, Jr. et al.	
3,408,128 A	10/1968	Kump	
D212,886 S	12/1968	Gordon	
D218,325 S	8/1970	Sherman	
3,721,413 A	3/1973	Robinson	
3,740,881 A	6/1973	Finger	
D232,289 S	8/1974	Moretine	
4,116,509 A	9/1978	Smith	
D250,868 S	1/1979	Ornatek	
4,144,664 A	3/1979	De Korte	
4,193,650 A	3/1980	Gray et al.	
D256,197 S	8/1980	Kates	
D262,664 S	1/1982	Willits, Jr.	
D264,731 S	6/1982	Shuman	
D265,618 S	8/1982	Robertson et al.	
D274,203 S	6/1984	Evered	
D277,057 S	1/1985	Franklin	
D279,201 S	6/1985	Shuman	
D288,997 S	3/1987	Kraynak	
D290,204 S	6/1987	Bruget	
D291,512 S	8/1987	Everett	
D307,079 S *	4/1990	Robertson	D20/10
D314,877 S	2/1991	Bush et al.	
D317,681 S	6/1991	Stewart et al.	
D321,100 S	10/1991	Dorrell	
D323,944 S	2/1992	Maas	
D324,701 S	3/1992	Capps	
D329,155 S	9/1992	Schremmer	
D335,963 S	6/1993	Tracey	
D342,846 S	1/1994	Stefanowicz	
5,316,156 A	5/1994	Land et al.	
D347,755 S	6/1994	Houston	
D351,863 S	10/1994	Sarkisian et al.	
5,369,553 A *	11/1994	Trusiani	G02B 6/0065 362/604
D354,638 S	1/1995	Todd et al.	
D359,488 S	6/1995	Hui	
D362,236 S	9/1995	Dann et al.	
D365,947 S	1/1996	Howard	
D369,044 S	4/1996	Lechleiter et al.	
5,577,817 A	11/1996	Reynolds	
D377,012 S	12/1996	Oslund	
5,607,070 A	3/1997	Hellyer	
D379,377 S	5/1997	Rath	
D389,345 S	1/1998	Grosfillex	
D392,686 S	3/1998	Sarkisian et al.	
D395,677 S	6/1998	Gongora et al.	
D396,251 S	7/1998	Mortensen	
D397,562 S	9/1998	DePottay et al.	
D398,462 S	9/1998	Baluk et al.	
D398,653 S	9/1998	Hiraguchi et al.	
D400,737 S	11/1998	DePottay et al.	
D408,383 S	4/1999	Carter et al.	
5,890,607 A	4/1999	Maglione	
D410,036 S	5/1999	Washington	
D427,808 S	7/2000	Bedard	
D434,451 S	11/2000	Grimshaw	
D434,929 S	12/2000	Heiny et al.	
6,164,467 A	12/2000	DePottay et al.	
6,170,678 B1	1/2001	de la Fuente	
D438,256 S	2/2001	Timmermans et al.	
D438,403 S	3/2001	Greenburg	
D439,445 S	3/2001	Riga et al.	
D442,796 S	5/2001	Brozak, Jr.	
D443,308 S	6/2001	Kovell	
D446,821 S *	8/2001	Decaux	D20/39
6,357,609 B1	3/2002	Van Noord et al.	
D457,016 S	5/2002	Dudley	
D458,059 S	6/2002	Dudley	
D463,499 S	9/2002	Marcos	
D465,529 S	11/2002	Hummell	
D468,134 S	1/2003	Oikawa	
D470,892 S	2/2003	Linko, Sr.	
D478,582 S	8/2003	Becker et al.	
D495,901 S	9/2004	Bosman	
D497,485 S	10/2004	Resultan	
D501,284 S	1/2005	Mount	
D501,889 S *	2/2005	Harris	D20/39
D509,543 S	9/2005	Hillstrom et al.	
D515,846 S	2/2006	Reeves et al.	
D521,275 S	5/2006	Dusenberry	
D522,274 S	6/2006	Coval	
D538,068 S	3/2007	Newhouse et al.	
D538,556 S	3/2007	Arias	
D543,561 S	5/2007	Fogarty et al.	
7,228,654 B2	6/2007	Stravitz	
D554,907 S	11/2007	Edison et al.	
D554,908 S	11/2007	Edison et al.	
D559,577 S	1/2008	Quinn	
D559,581 S	1/2008	Knoettgen-Nap	
D576,426 S	9/2008	Yuen-Schat et al.	
D584,075 S	1/2009	Hung	
D585,943 S	2/2009	Pymm et al.	
D590,630 S	4/2009	Singler et al.	
D591,078 S *	4/2009	Singler	D14/307
D591,079 S	4/2009	Singler et al.	
D591,531 S	5/2009	Sparkowski	
D591,974 S	5/2009	Singler et al.	
D591,979 S	5/2009	Singler et al.	
D592,422 S	5/2009	Rheault	
D593,775 S	6/2009	Singler et al.	
D597,340 S	8/2009	Helgesen et al.	
D607,669 S	1/2010	Trinh et al.	
D607,670 S	1/2010	Trinh et al.	
D608,565 S	1/2010	Mori	
D610,832 S	3/2010	Rheault	
D613,344 S	4/2010	Hradisky	
D632,903 S	2/2011	Paul	
D636,441 S	4/2011	Potts	
D637,421 S	5/2011	Theisen et al.	
D637,422 S	5/2011	Theisen et al.	
D639,086 S	6/2011	Curbbun et al.	
D641,989 S	7/2011	Giroux et al.	
D641,992 S	7/2011	Giroux et al.	
D642,360 S	8/2011	West	
D642,390 S	8/2011	West	
D642,824 S	8/2011	Theisen et al.	
D644,039 S	8/2011	Naples et al.	
D646,503 S	10/2011	Fiori	
D648,783 S	11/2011	Mathea	
D649,192 S	11/2011	Beukema et al.	
D653,475 S	2/2012	Thompson	
D655,947 S	3/2012	Doane	
D657,978 S	4/2012	Hamm et al.	
D658,615 S	5/2012	Chiu	
D660,361 S	5/2012	Carver, Jr.	
D661,123 S	6/2012	Curbbun et al.	
D661,124 S	6/2012	Curbbun et al.	
D661,922 S	6/2012	Mitri	
8,228,668 B2	7/2012	Asamarai	
D671,535 S	11/2012	Terashima et al.	
D676,430 S	2/2013	Blaser	
D678,696 S	3/2013	Hamm et al.	
D678,969 S	3/2013	Oldknow et al.	
D679,521 S	4/2013	Hamm et al.	
D680,350 S	4/2013	Peake-Atkins et al.	
D682,581 S	5/2013	Kikkert et al.	
D683,982 S *	6/2013	Kikkert	D6/674
D684,792 S	6/2013	Kikkert et al.	
D685,205 S *	7/2013	Kikkert	D6/674
D688,494 S	8/2013	Hamm et al.	
D691,838 S	10/2013	Hinkle	
D693,156 S	11/2013	Hamm et al.	
8,602,227 B1	12/2013	McDonald	
D700,901 S	3/2014	Giglio et al.	
D708,459 S *	7/2014	Heirakuji	D6/675
D709,952 S	7/2014	Logan et al.	
D713,658 S	9/2014	Tio et al.	
D717,085 S	11/2014	Trinh et al.	
D717,573 S	11/2014	Fishman et al.	
D722,313 S	2/2015	Birgeoglu	
D722,794 S *	2/2015	Luong	D20/19

(56)

References Cited

U.S. PATENT DOCUMENTS

D723,025 S 2/2015 Birgeoglu
 D723,026 S 2/2015 Birgeoglu
 D725,108 S 3/2015 Yeon
 D725,947 S 4/2015 Tio et al.
 D727,995 S 4/2015 Vilcovsky
 D728,281 S 5/2015 Heirakuji et al.
 D728,283 S 5/2015 Weshler et al.
 D730,852 S 6/2015 Park et al.
 D734,965 S 7/2015 Tio et al.
 D737,604 S 9/2015 Bridger et al.
 D741,091 S 10/2015 Tio et al.
 D742,455 S 11/2015 Denby et al.
 D742,870 S 11/2015 Berini
 D750,970 S 3/2016 Moreno
 D753,754 S 4/2016 Vilcovsky et al.
 D756,137 S * 5/2016 Abelman D6/336
 D758,105 S * 6/2016 Taraczky D6/672
 D758,106 S 6/2016 Hamm et al.
 D763,605 S 8/2016 Bridger et al.
 D767,922 S 10/2016 Jussila
 D769,651 S 10/2016 Tio et al.

D770,203 S 11/2016 Thaler et al.
 D778,087 S 2/2017 Mandon et al.
 D779,240 S 2/2017 Tio et al.
 D779,859 S * 2/2017 Richardson D6/675.3
 D785,975 S * 5/2017 Thaler D6/673
 D785,978 S 5/2017 Brown et al.
 D790,260 S 6/2017 Tio et al.
 D795,751 S 8/2017 Roth et al.
 D796,234 S 9/2017 Thaler et al.
 D806,447 S * 1/2018 Burton D6/657
 D806,448 S * 1/2018 Burton D6/657
 D807,086 S 1/2018 Tio et al.
 D815,864 S * 4/2018 Burton D6/675
 D820,619 S 6/2018 Brugger et al.
 D821,116 S 6/2018 Hamm et al.
 D821,117 S 6/2018 Gorman et al.
 D824,702 S 8/2018 Tio et al.
 D824,894 S 8/2018 Marasco et al.
 D852,274 S * 6/2019 Lim D20/39
 2005/0279033 A1 12/2005 Faber et al.
 2007/0170823 A1 7/2007 Stannis et al.
 2014/0306584 A1 10/2014 DeMars
 2016/0217718 A1 * 7/2016 Silver G09F 13/18
 2017/0127832 A1 5/2017 Klacking

* cited by examiner

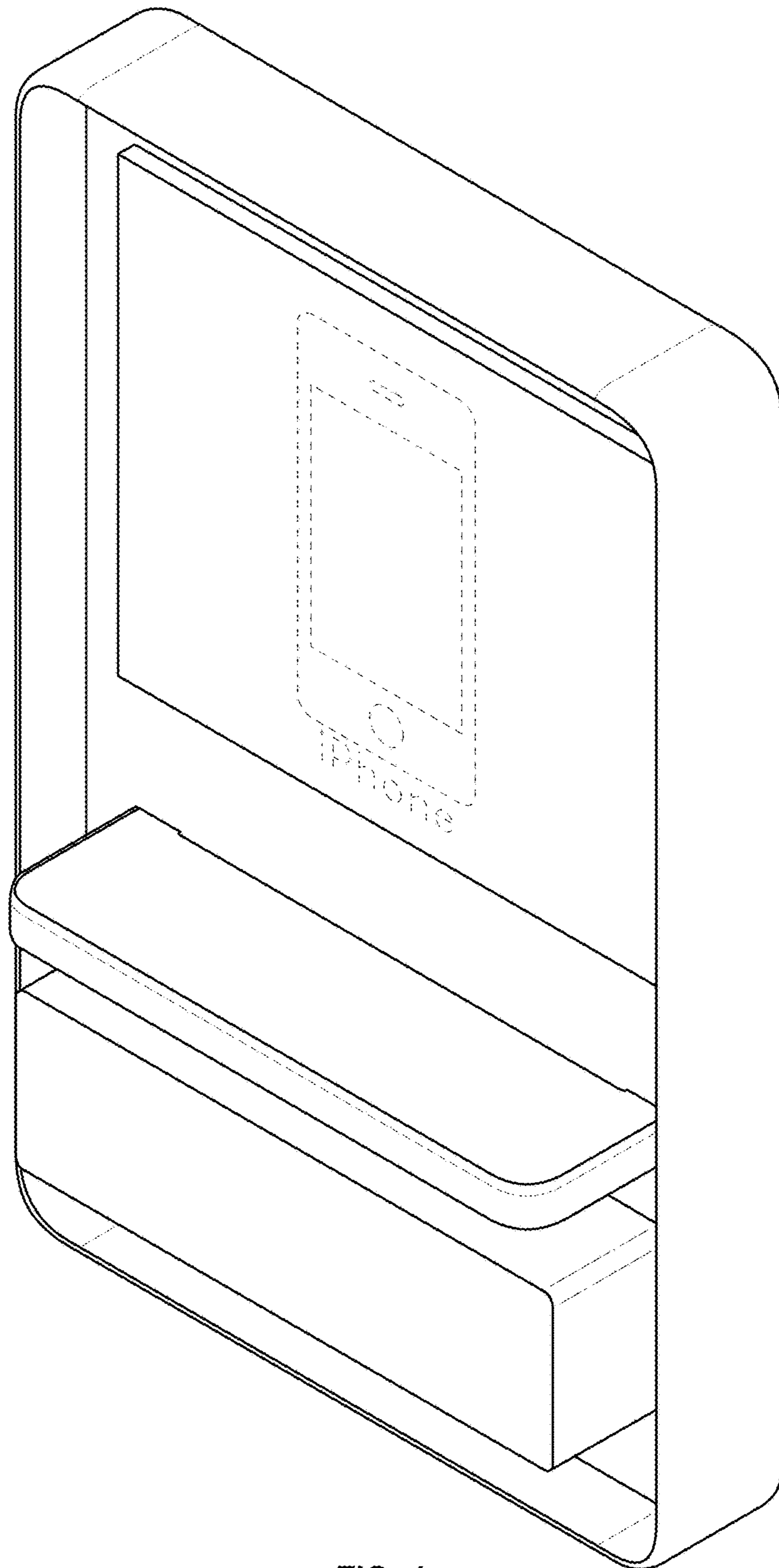


FIG. 1

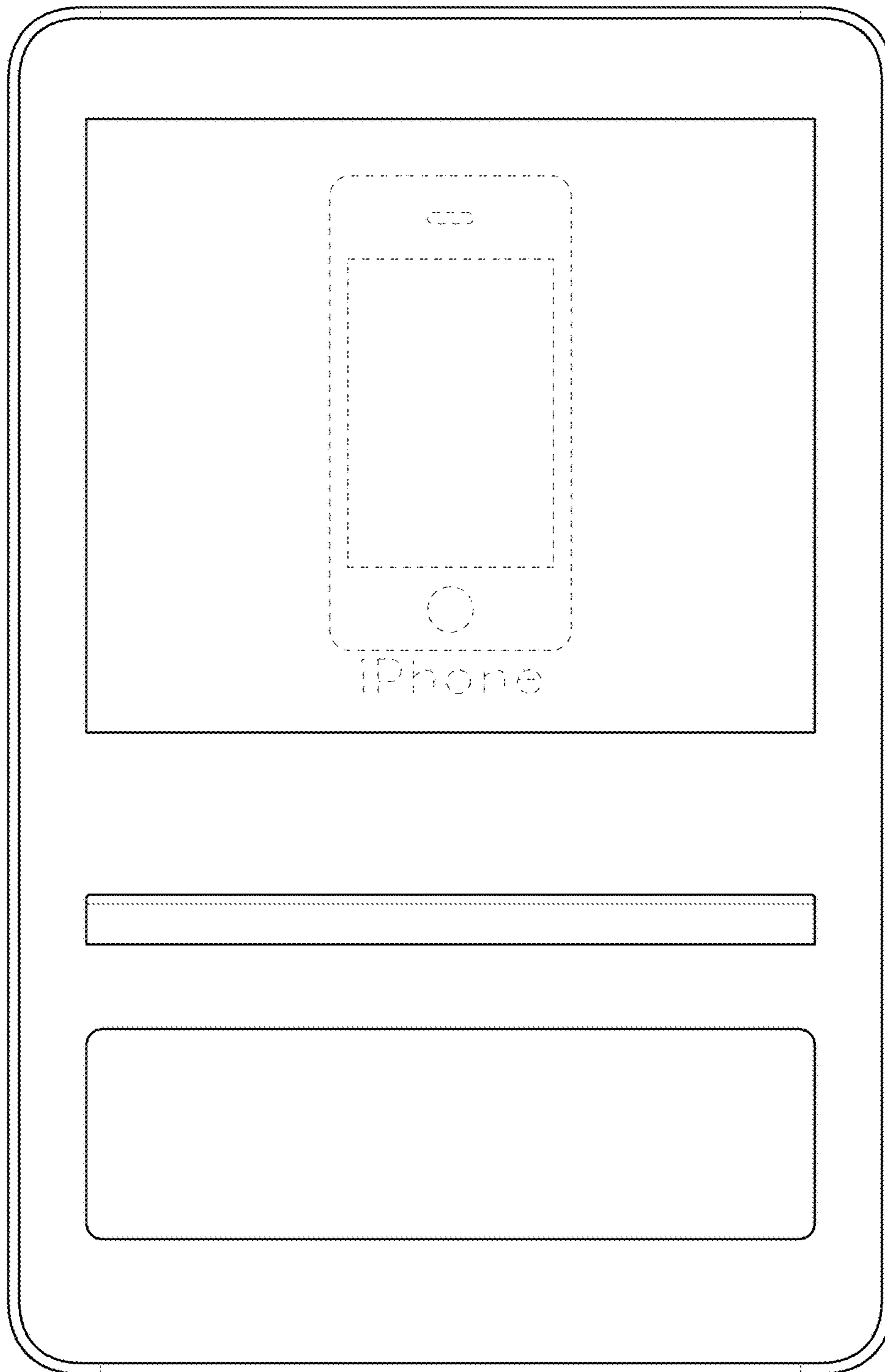


FIG. 2

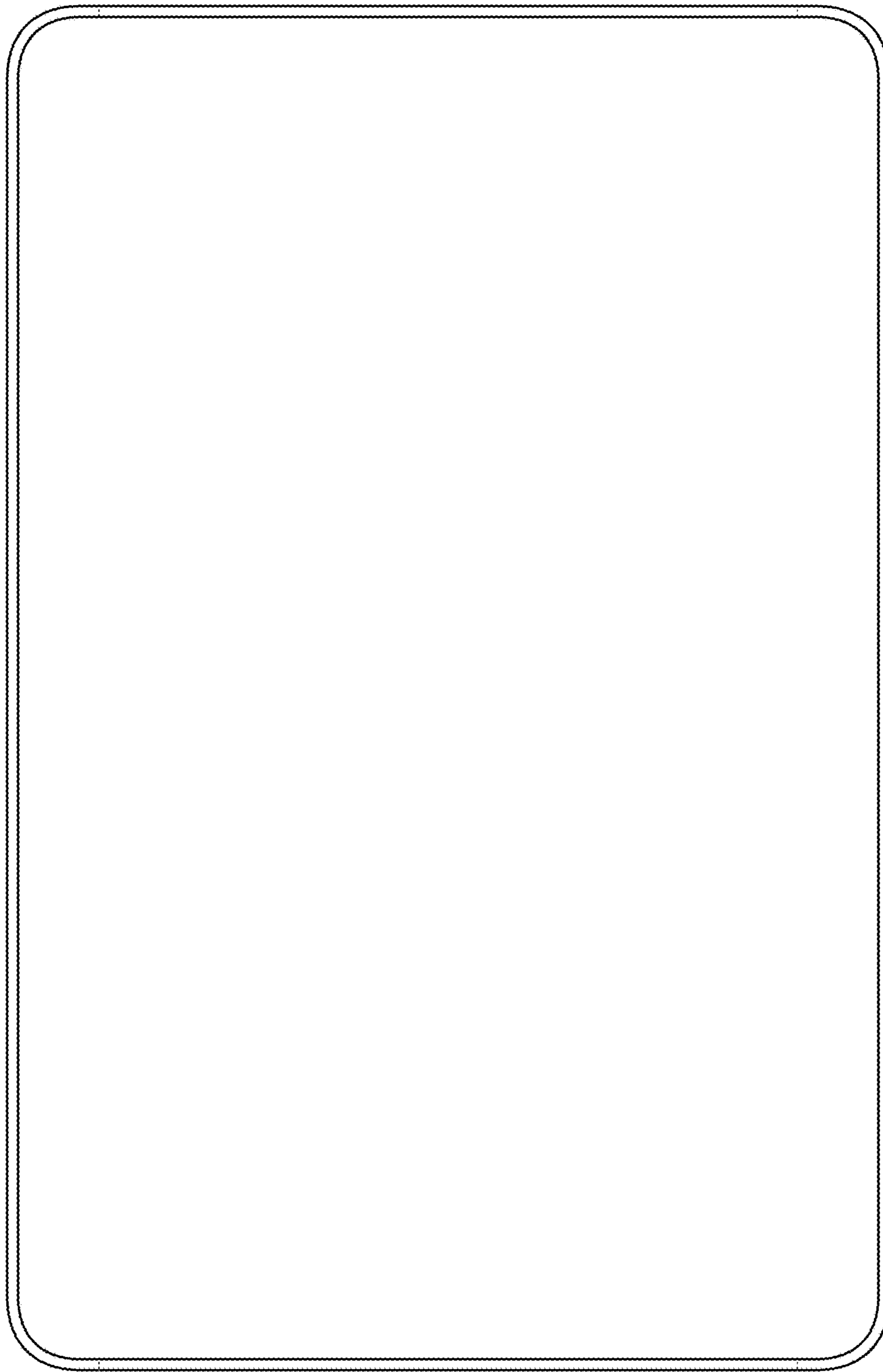


FIG. 3

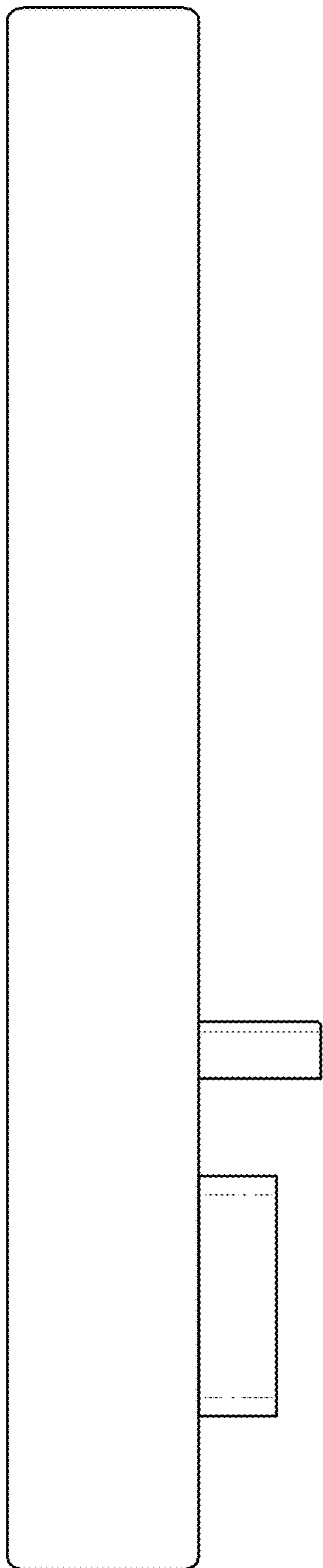


FIG. 4

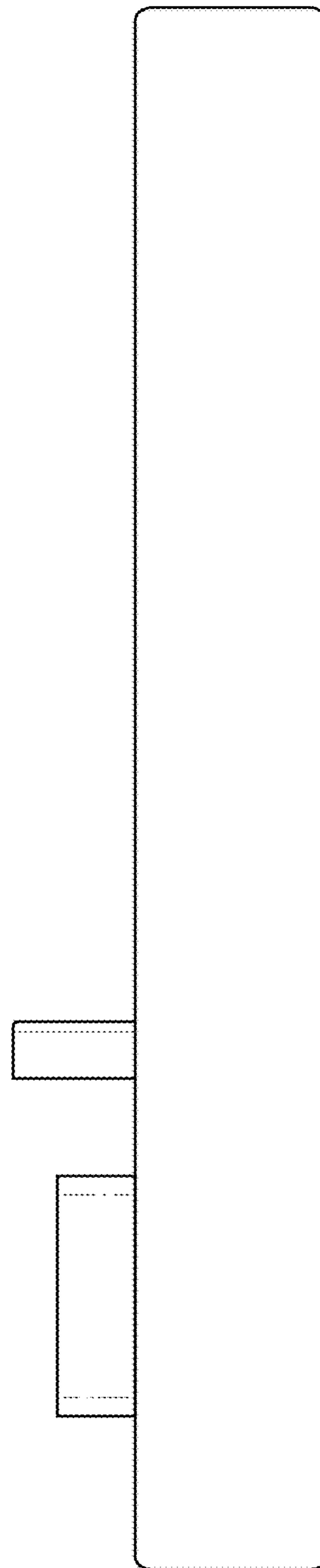


FIG. 5

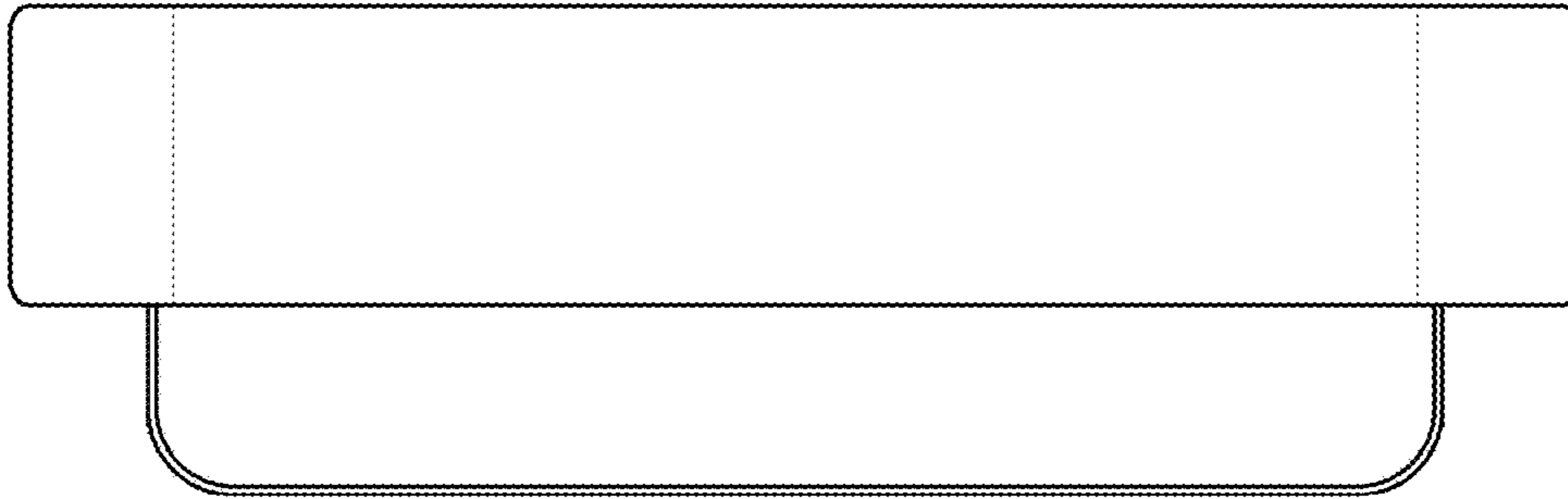


FIG. 6

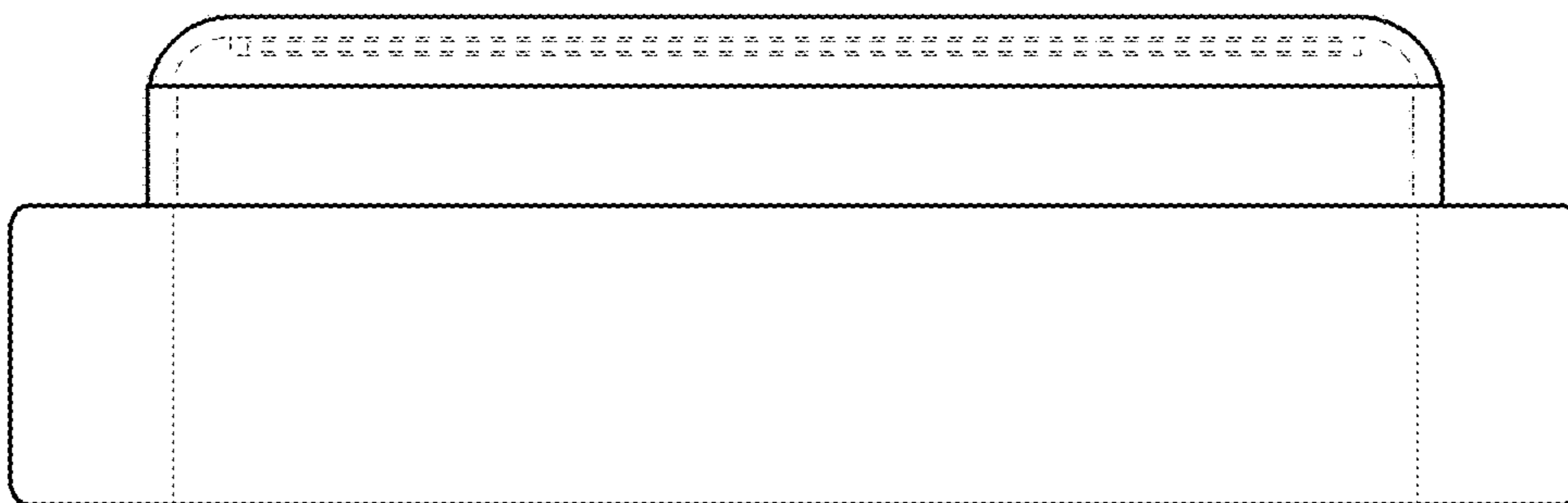


FIG. 7

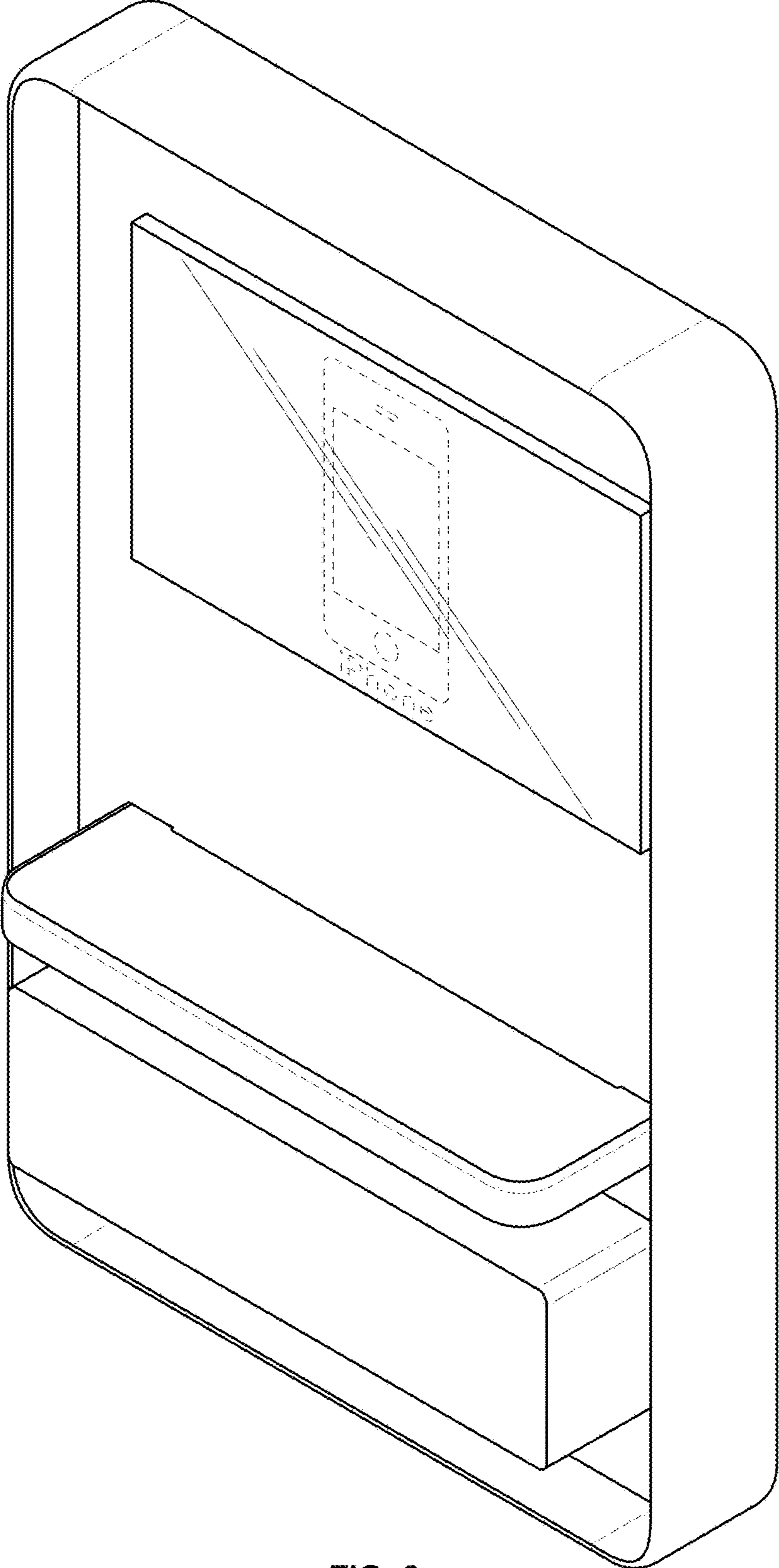


FIG. 8

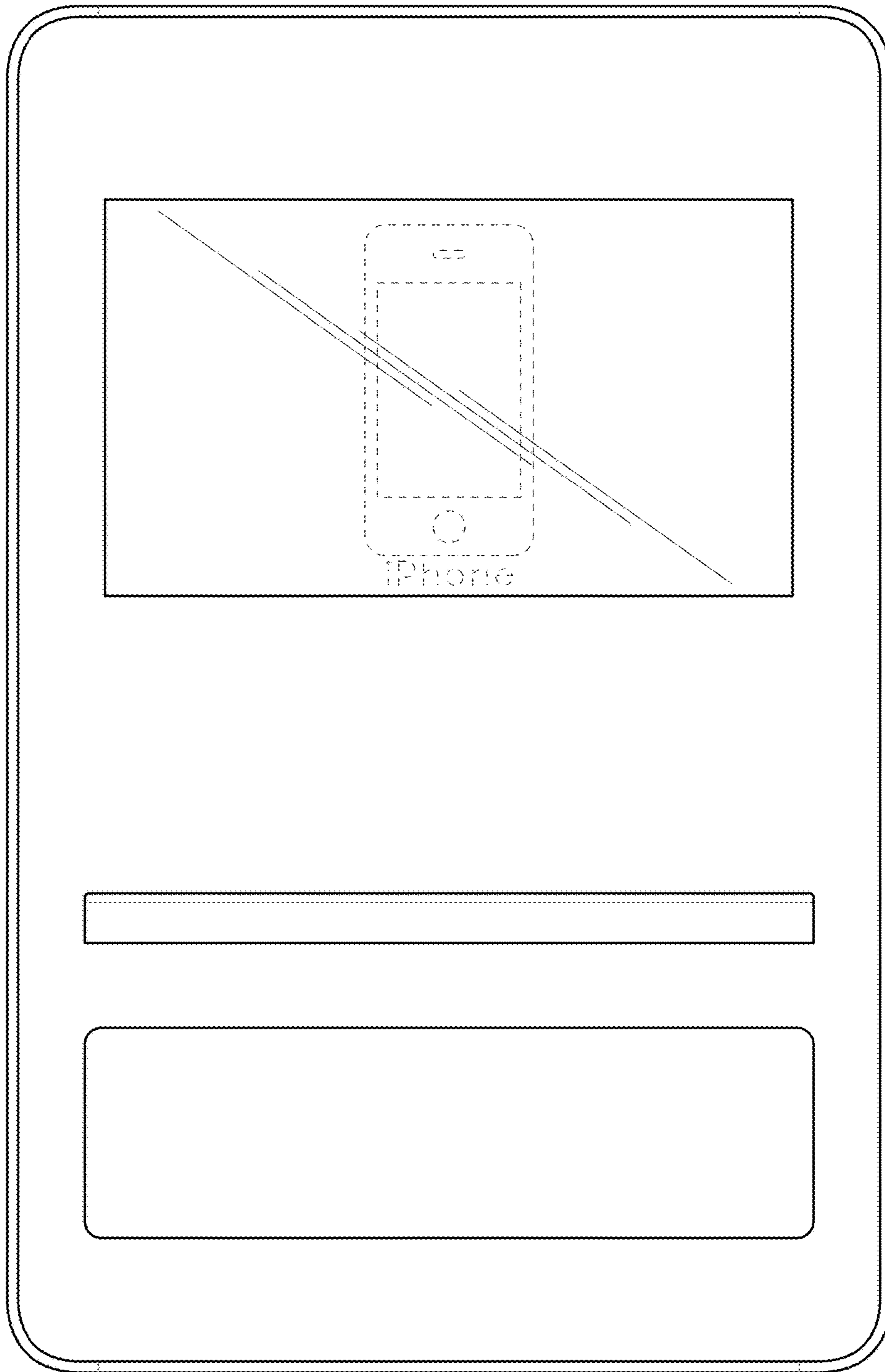


FIG. 9

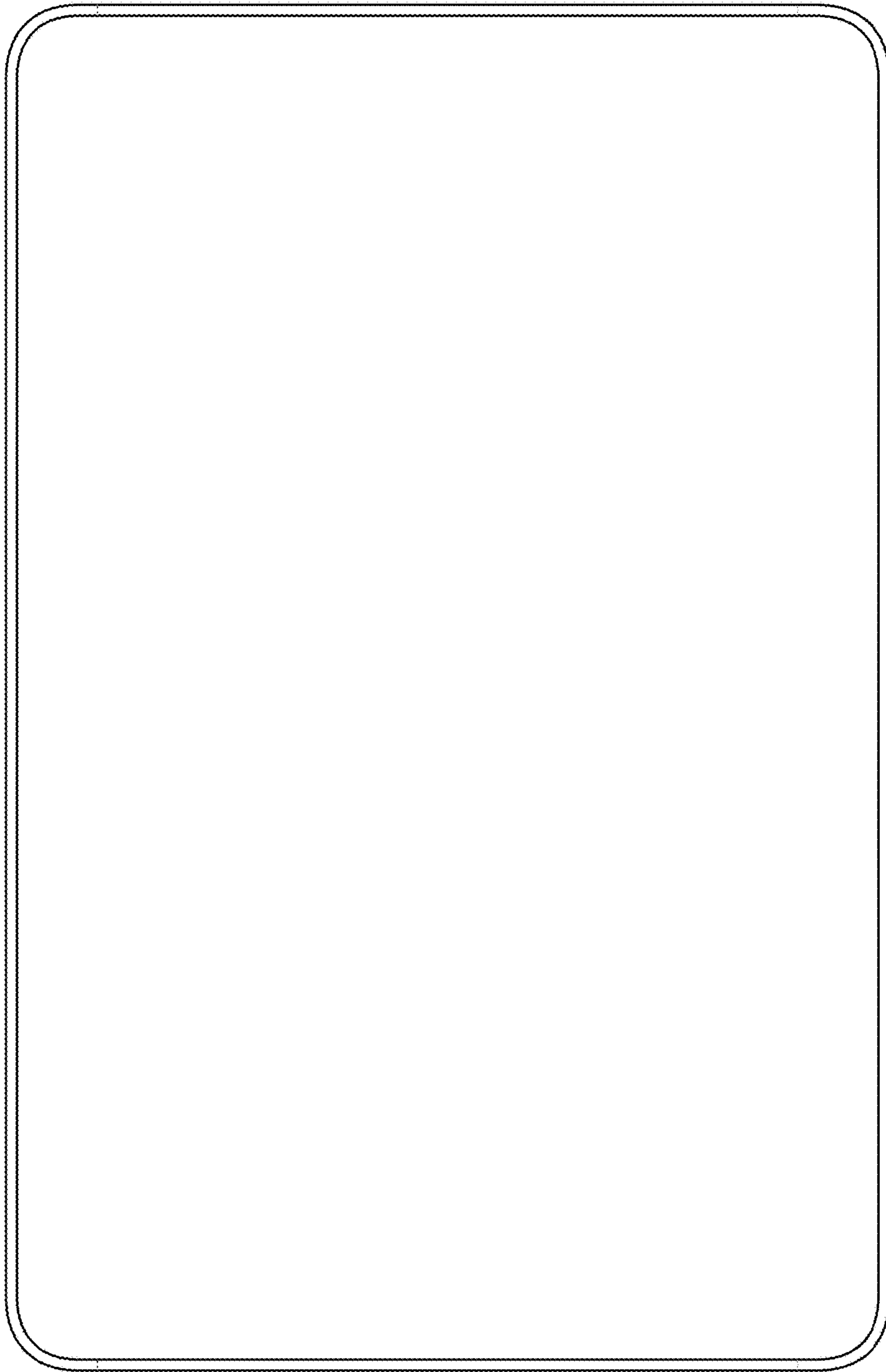


FIG. 10

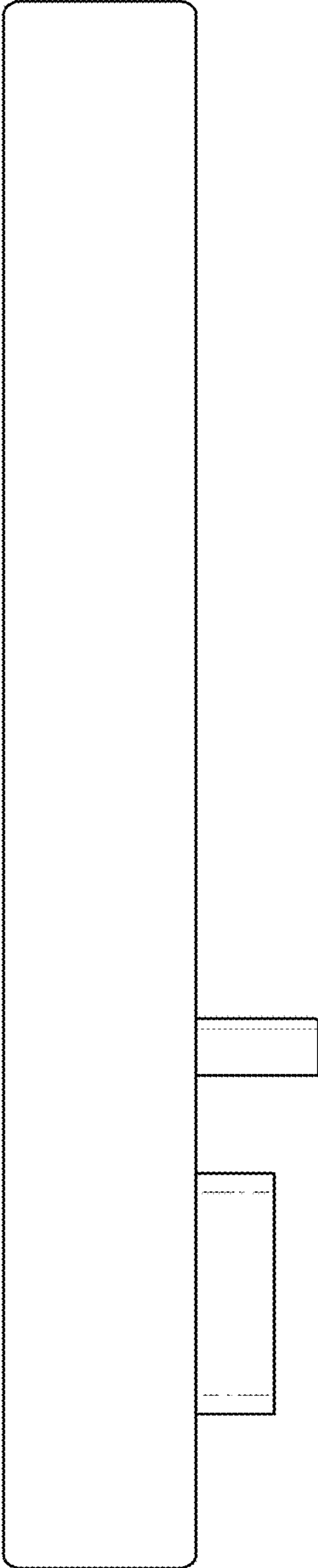


FIG. 11

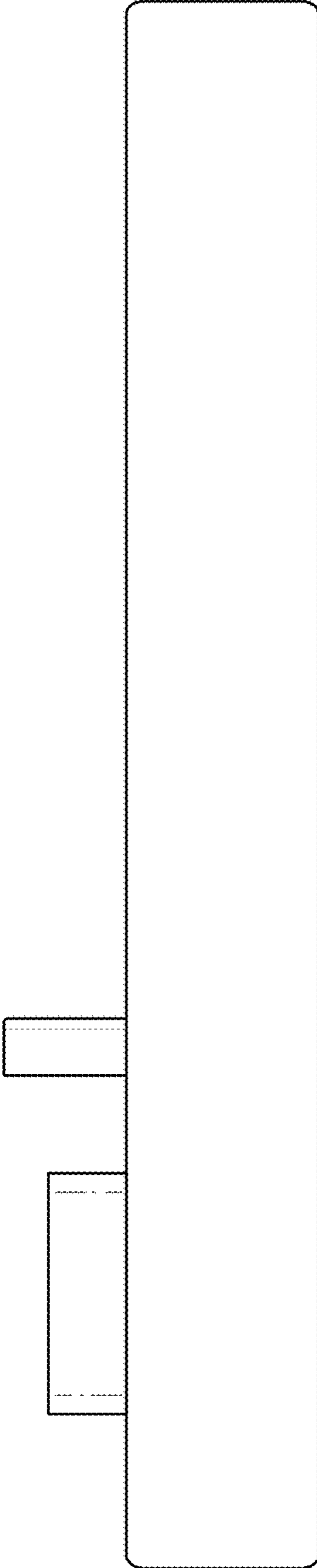


FIG. 12

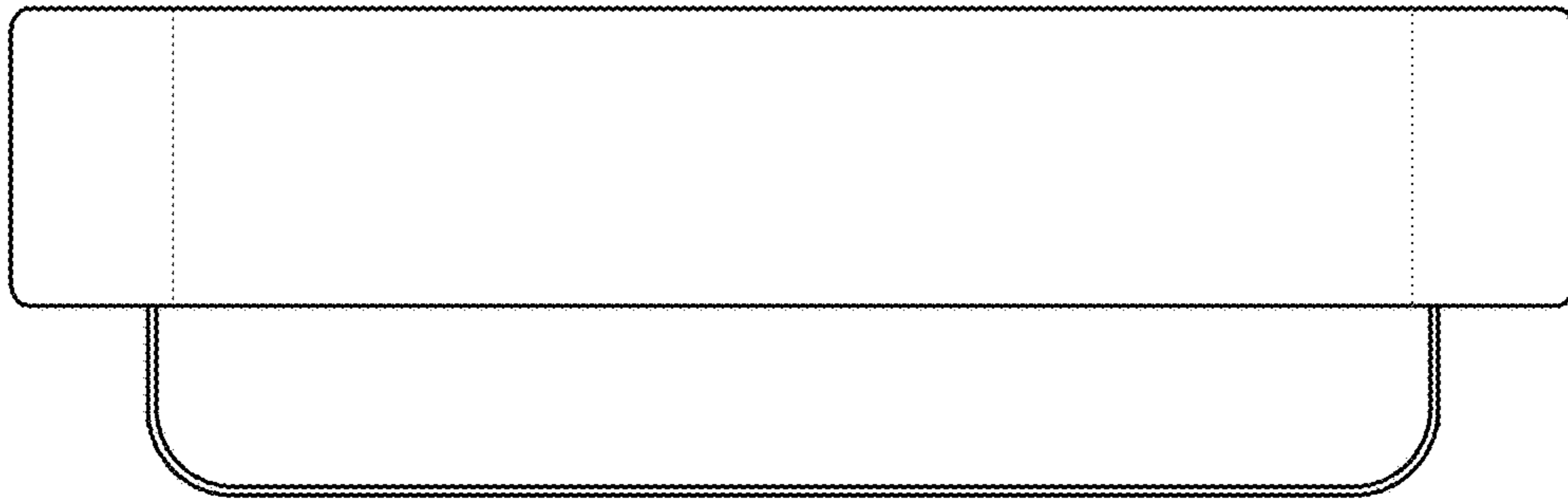


FIG. 13

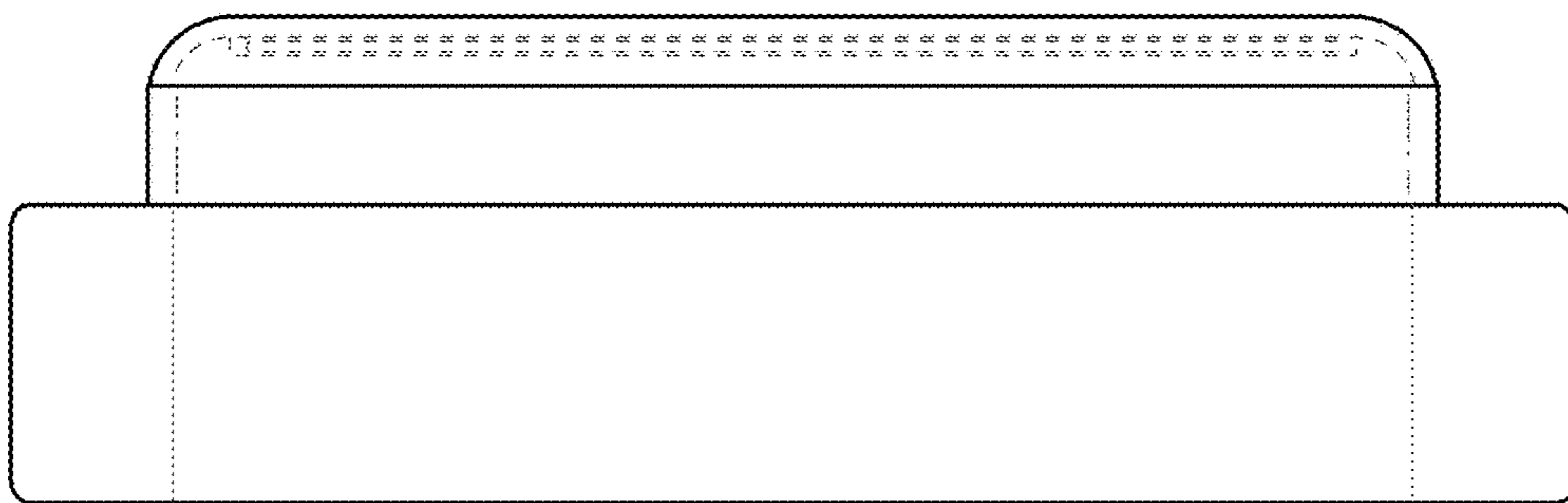


FIG. 14