



US00D867035S

(12) **United States Design Patent** (10) **Patent No.:** **US D867,035 S**  
**Brugger et al.** (45) **Date of Patent:** **\*\* Nov. 19, 2019**

(54) **RETAIL FIXTURE**  
(71) Applicant: **Apple Inc.**, Cupertino, CA (US)  
(72) Inventors: **Alice Marlin Brugger**, San Francisco, CA (US); **Manuel DeJesus**, San Francisco, CA (US); **Joshua Robert Edwards**, Santa Cruz, CA (US); **Jean-Marc Gady**, Los Altos, CA (US); **Wesley Bryan Hamm**, San Francisco, CA (US); **Russell John Kaaihue Heirakuji**, Cupertino, CA (US); **Allison Inouye**, San Francisco, CA (US); **Moritz Wilsberg**, Menlo Park, CA (US)

4,116,509 A 9/1978 Smith  
D250,868 S 1/1979 Ornatek  
4,144,664 A 3/1979 De Korte  
D262,664 S 1/1982 Willits, Jr.  
D264,731 S 6/1982 Shuman  
D274,203 S 6/1984 Evered  
D279,201 S 6/1985 Shuman  
D291,512 S 8/1987 Everett  
D307,079 S \* 4/1990 Robertson ..... D20/10  
D317,681 S 6/1991 Stewart et al.

(Continued)

**FOREIGN PATENT DOCUMENTS**

EM 002886234-0011 2/2016  
EM 002992065-0002 2/2016  
WO DM-082406 10/2013

(73) Assignee: **Apple Inc.**, Cupertino, CA (US)

(\*\*) Term: **15 Years**

(21) Appl. No.: **29/656,127**

(22) Filed: **Jul. 10, 2018**

(51) **LOC (12) Cl.** ..... **06-06**

(52) **U.S. Cl.**  
USPC ..... **D6/675**

(58) **Field of Classification Search**  
USPC ..... D6/672, 675, 675.1, 678, 678.1, 682, 683, 683.1, D6/682.3, 682.4, 683, 683.1  
CPC ..... A47B 73/00; A47B 73/002; A47B 47/00; A47B 47/008; A47B 47/25; A47F 5/00; A47F 5/0062

See application file for complete search history.

(56) **References Cited**

**U.S. PATENT DOCUMENTS**

D41,125 S 1/1911 Klee  
D144,844 S 5/1945 Dunham  
D212,886 S 12/1968 Gordon  
D218,325 S 8/1970 Sherman  
3,721,413 A 3/1973 Robinson  
3,740,881 A 6/1973 Finger

**OTHER PUBLICATIONS**

Japanese Patent Office document HB23000547, Nachrichten, Feb. 2011 (2 Pages).

*Primary Examiner* — Kelley A Donnelly

(74) *Attorney, Agent, or Firm* — Sterne, Kessler, Goldstein & Fox P.L.L.C.

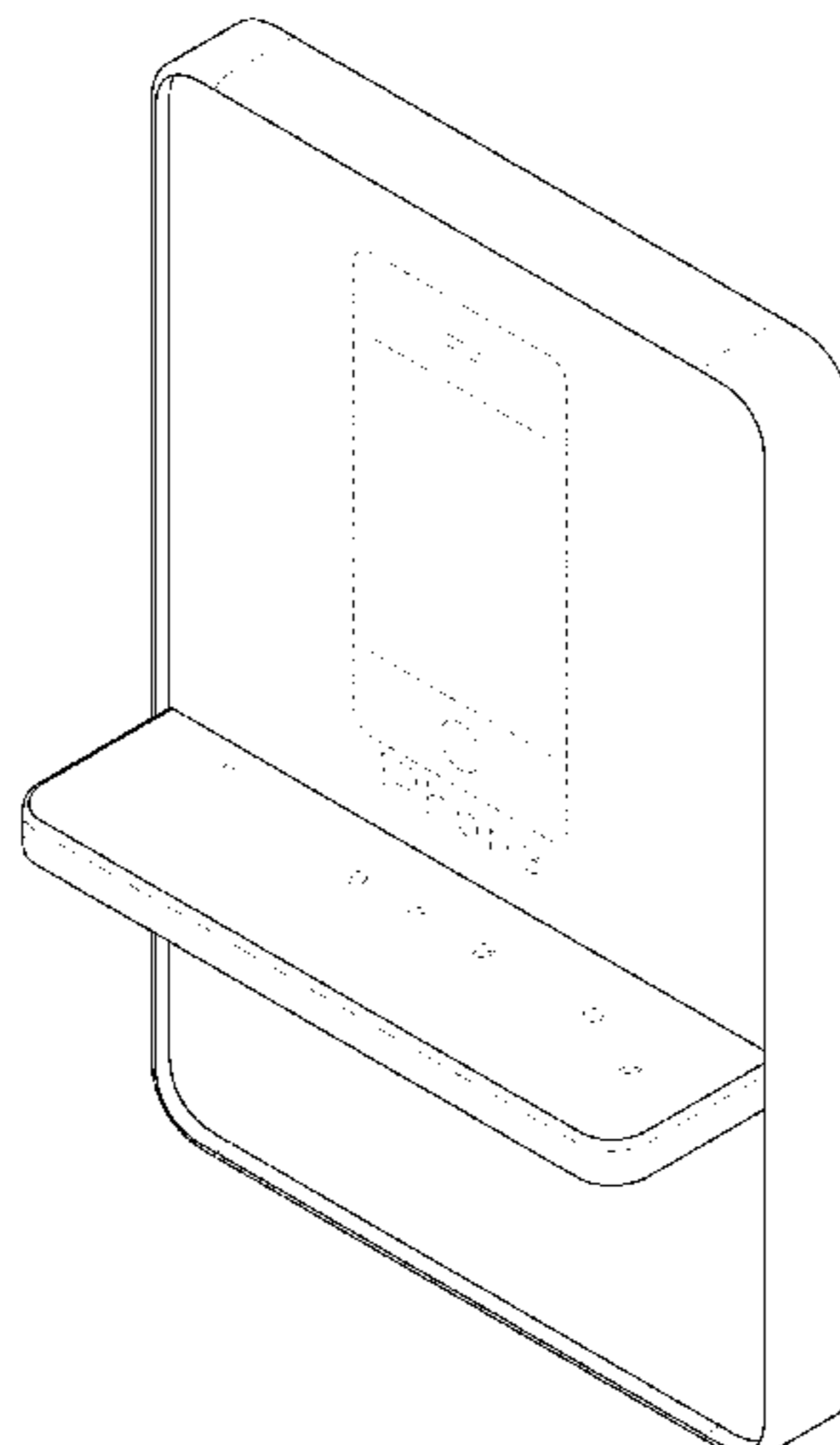
(57) **CLAIM**

The ornamental design for a retail fixture, as shown and described.

**DESCRIPTION**

FIG. 1 is a top front perspective view of a retail fixture showing the claimed design;  
FIG. 2 is a front view thereof;  
FIG. 3 is a rear view thereof;  
FIG. 4 is a left side view thereof;  
FIG. 5 is a right side view thereof;  
FIG. 6 is a top view thereof; and,  
FIG. 7 is a bottom view thereof.  
The dashed broken lines in the figures show portions of the retail fixture that form no part of the claimed design.

**1 Claim, 5 Drawing Sheets**



(56)

References Cited

U.S. PATENT DOCUMENTS

D321,100 S	10/1991	Dorrell		D660,361 S	5/2012	Carver, Jr.	
D323,944 S	2/1992	Maas		D661,123 S	6/2012	Curbbun et al.	
D324,701 S	3/1992	Capps		D661,124 S	6/2012	Curbbun et al.	
D335,963 S	6/1993	Tracey		8,228,668 B2	7/2012	Asamarai et al.	
D347,755 S	6/1994	Houston		D671,535 S	11/2012	Terashima et al.	
D351,863 S	10/1994	Sarkisian et al.		D676,430 S	2/2013	Blaser	
5,369,553 A *	11/1994	Trusiani .....	G02B 6/0065 362/604	D678,696 S	3/2013	Hamm et al.	
				D679,521 S	4/2013	Hamm et al.	
D354,638 S	1/1995	Todd et al.		D682,581 S	5/2013	Kikkert et al.	
D359,488 S	6/1995	Hui		D684,792 S	6/2013	Kikkert et al.	
D362,236 S	9/1995	Dann et al.		D685,205 S *	7/2013	Kikkert .....	D6/674
D365,947 S	1/1996	Howard		D688,494 S	8/2013	Hamm et al.	
D369,044 S	4/1996	Lechleiter et al.		D693,156 S	11/2013	Hamm et al.	
5,577,817 A	11/1996	Reynolds		8,602,227 B1	12/2013	McDonald	
D377,012 S	12/1996	Oslund		D700,901 S	3/2014	Giglio et al.	
5,607,070 A	3/1997	Hellyer		D708,459 S *	7/2014	Heirakuji .....	D6/675
D379,377 S	5/1997	Rath		D709,952 S	7/2014	Logan et al.	
D392,686 S	3/1998	Sarkisian et al.		D713,658 S	9/2014	Tio et al.	
D395,677 S	6/1998	Gongora et al.		D717,085 S	11/2014	Trinh et al.	
D396,251 S	7/1998	Mortensen		D717,573 S	11/2014	Fishman et al.	
D397,562 S	9/1998	DePottey et al.		D722,313 S	2/2015	Birgeoglu	
D398,653 S	9/1998	Hiraguchi et al.		D722,794 S	2/2015	Luong	
D400,737 S	11/1998	DePottey et al.		D723,025 S	2/2015	Birgeoglu	
D408,383 S	4/1999	Carter et al.		D723,026 S	2/2015	Birgeoglu	
5,890,607 A	4/1999	Maglione		D725,108 S	3/2015	Yeon	
D410,036 S	5/1999	Washington		D725,947 S	4/2015	Tio et al.	
D434,451 S	11/2000	Grimshaw		D727,995 S	4/2015	Vilcovsky	
D434,929 S	12/2000	Heiny et al.		D728,281 S	5/2015	Heirakuji et al.	
6,164,467 A	12/2000	DePottey et al.		D730,852 S	6/2015	Park et al.	
6,170,678 B1	1/2001	de la Fuente		D734,965 S	7/2015	Tio et al.	
D438,256 S	2/2001	Timmermans et al.		D737,604 S	9/2015	Bridger et al.	
D443,308 S	6/2001	Kovell		D741,091 S	10/2015	Tio et al.	
D446,821 S *	8/2001	Decaux .....	D20/39	D742,455 S	11/2015	Denby et al.	
6,357,609 B1	3/2002	Van Noord et al.		D742,870 S	11/2015	Berini	
D463,499 S	9/2002	Marcos		D750,970 S	3/2016	Moreno	
D465,529 S	11/2002	Hummell		D753,754 S	4/2016	Vilcovsky et al.	
D468,134 S	1/2003	Oikawa		D758,106 S	6/2016	Hamm et al.	
D470,892 S	2/2003	Linko, Sr.		D763,605 S	8/2016	Bridger et al.	
D478,582 S	8/2003	Becker et al.		D767,922 S	10/2016	Jussila	
D497,485 S	10/2004	Resultan		D769,651 S	10/2016	Tio et al.	
D501,284 S	1/2005	Mount		D770,203 S	11/2016	Thaler et al.	
D501,889 S *	2/2005	Harris .....	D20/39	D779,240 S	2/2017	Tio et al.	
D509,543 S	9/2005	Hillstrom et al.		D779,859 S *	2/2017	Richardson .....	D6/675.3
7,228,654 B2	6/2007	Stravitz		D785,975 S *	5/2017	Thaler .....	D6/673
D559,577 S	1/2008	Quinn		D785,978 S	5/2017	Brown et al.	
D584,075 S	1/2009	Hung		D790,260 S	6/2017	Tio et al.	
D585,943 S	2/2009	Pymm et al.		D795,751 S	8/2017	Roth et al.	
D590,630 S	4/2009	Singler et al.		D796,234 S	9/2017	Thaler et al.	
D591,531 S	5/2009	Sparkowski		D806,447 S *	1/2018	Burton .....	D6/657
D591,974 S	5/2009	Singler et al.		D806,448 S *	1/2018	Burton .....	D6/657
D592,422 S	5/2009	Rheault		D807,086 S	1/2018	Tio et al.	
D610,832 S	3/2010	Rheault		D813,832 S *	3/2018	Kim .....	D14/126
D613,344 S	4/2010	Hradisky		D815,864 S *	4/2018	Burton .....	D6/675
D632,903 S	2/2011	Paul		D821,116 S	6/2018	Hamm et al.	
D636,441 S	4/2011	Potts		D821,117 S	6/2018	Gorman et al.	
D637,421 S	5/2011	Theisen et al.		D824,702 S	8/2018	Tio et al.	
D639,086 S	6/2011	Curbbun et al.		D824,894 S	8/2018	Marasco et al.	
D642,360 S	8/2011	West		D842,628 S *	3/2019	Siminoff .....	D6/672
D642,390 S	8/2011	West		D852,274 S *	6/2019	Lim .....	D20/39
D642,824 S	8/2011	Theisen et al.		2005/0279033 A1	12/2005	Faber et al.	
D649,192 S	11/2011	Beukema et al.		2007/0170823 A1	7/2007	Stannis et al.	
D657,978 S	4/2012	Hamm et al.		2014/0306584 A1	10/2014	DeMars	
D658,615 S	5/2012	Chiu		2016/0217718 A1 *	7/2016	Silver .....	G09F 13/18
				2017/0127832 A1	5/2017	Klacking	
				2018/0092470 A1 *	4/2018	Johnson .....	A47F 5/0043

\* cited by examiner

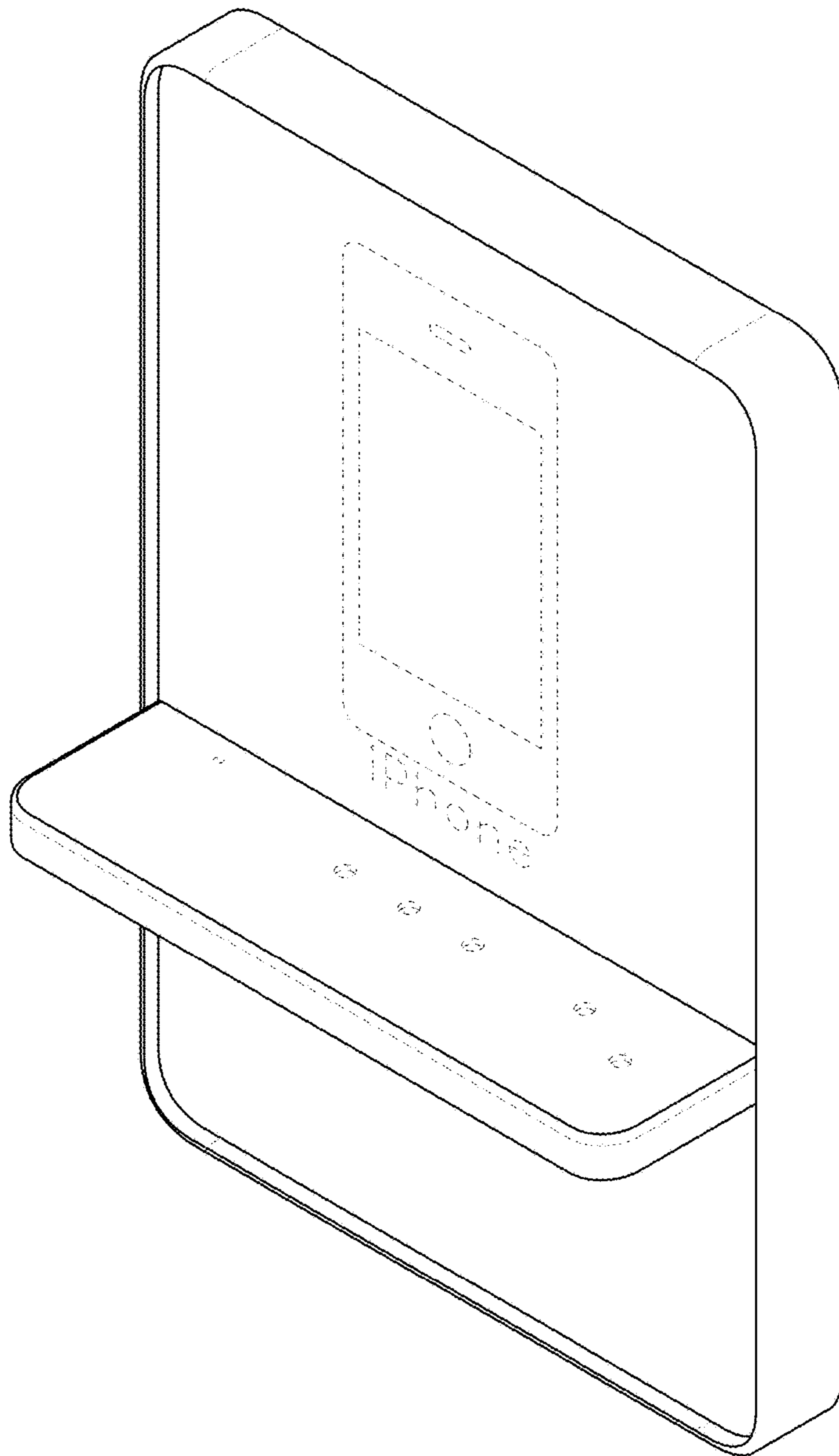


FIG. 1

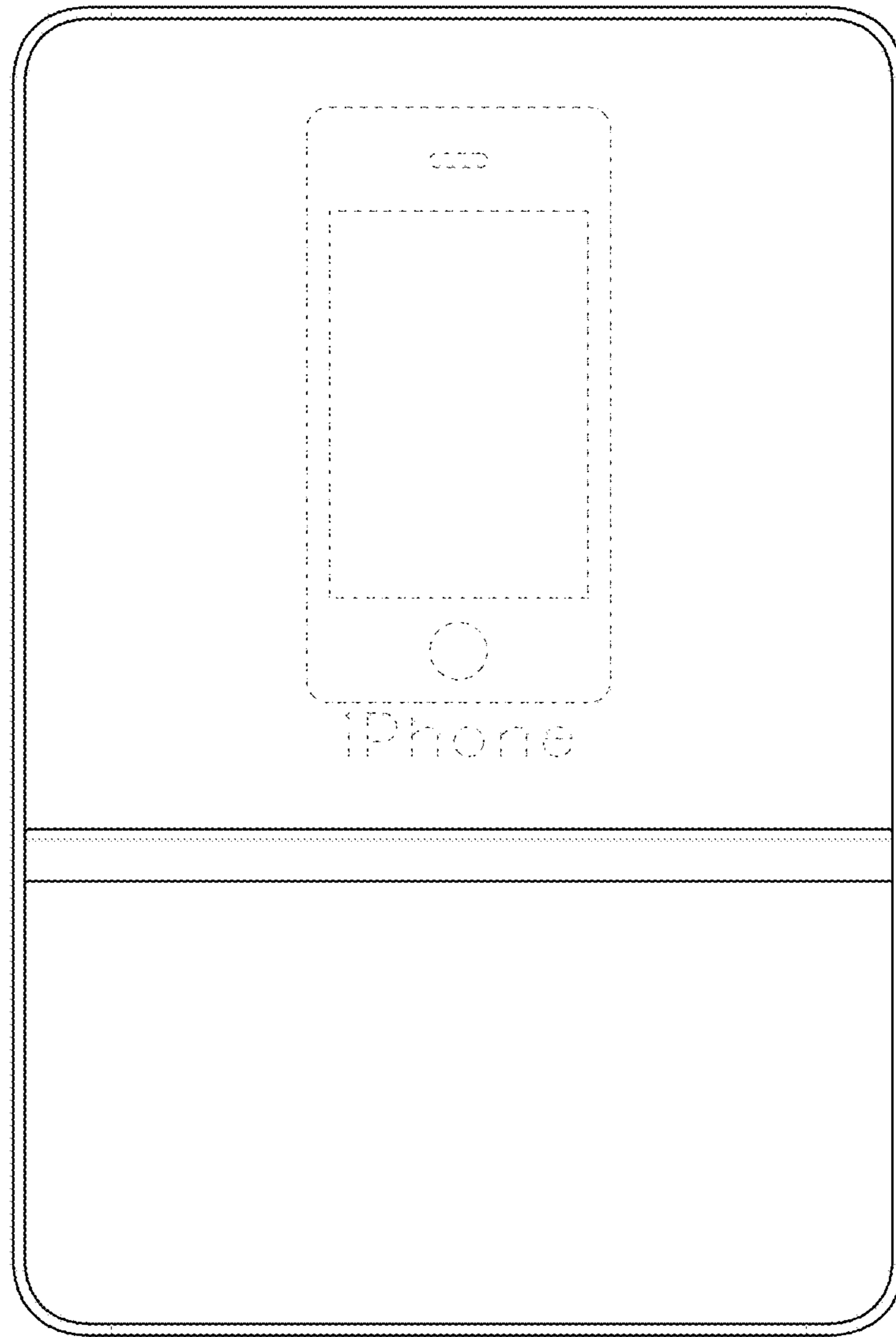
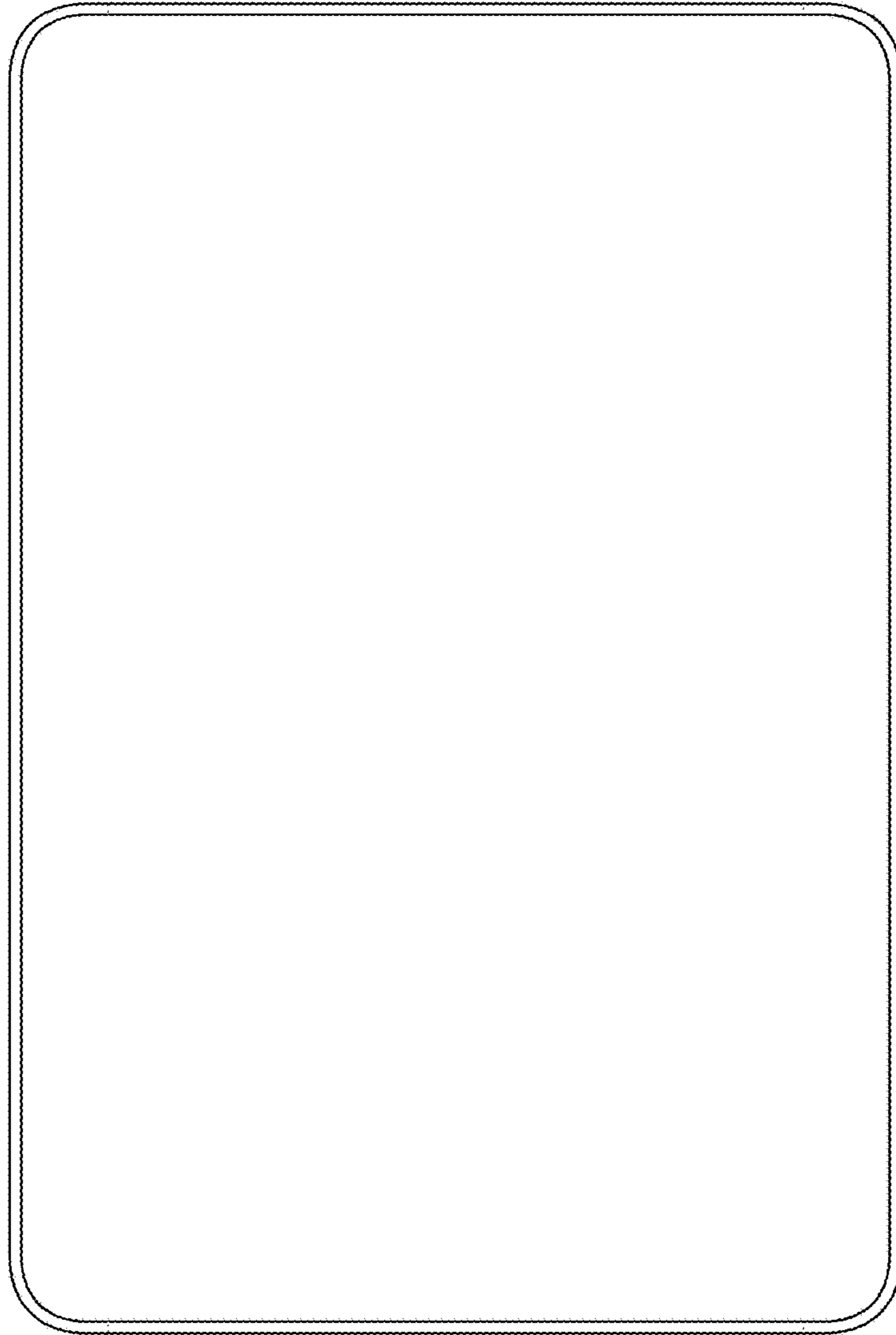


FIG. 2



**FIG. 3**

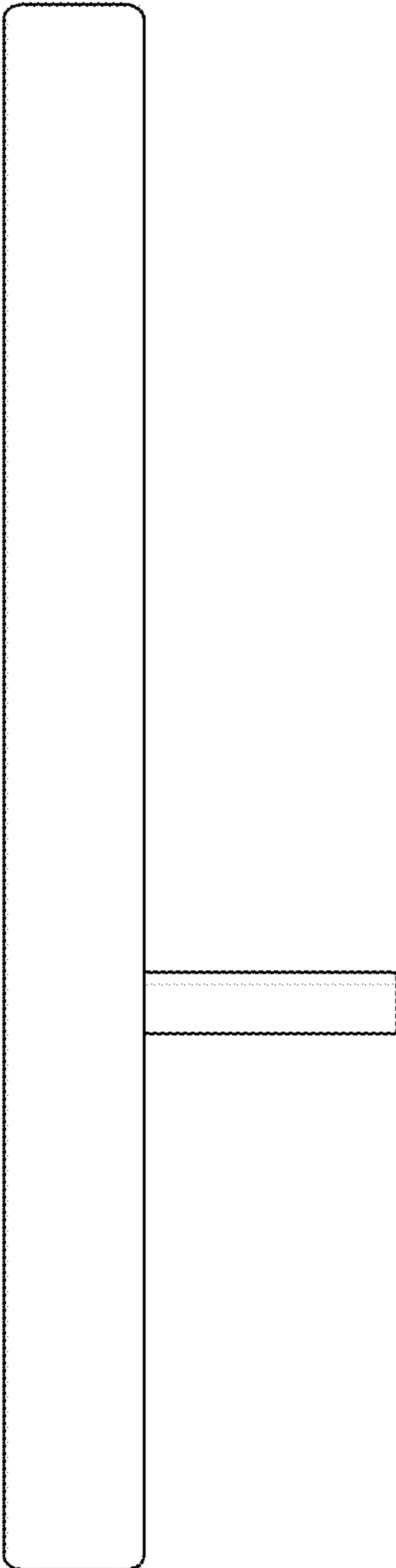


FIG. 4

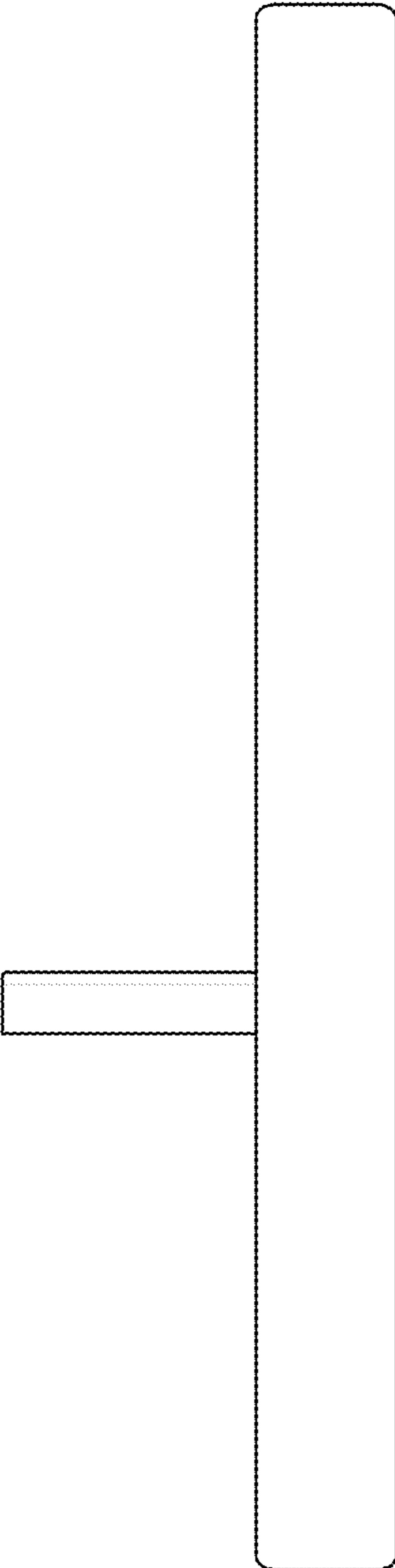


FIG. 5

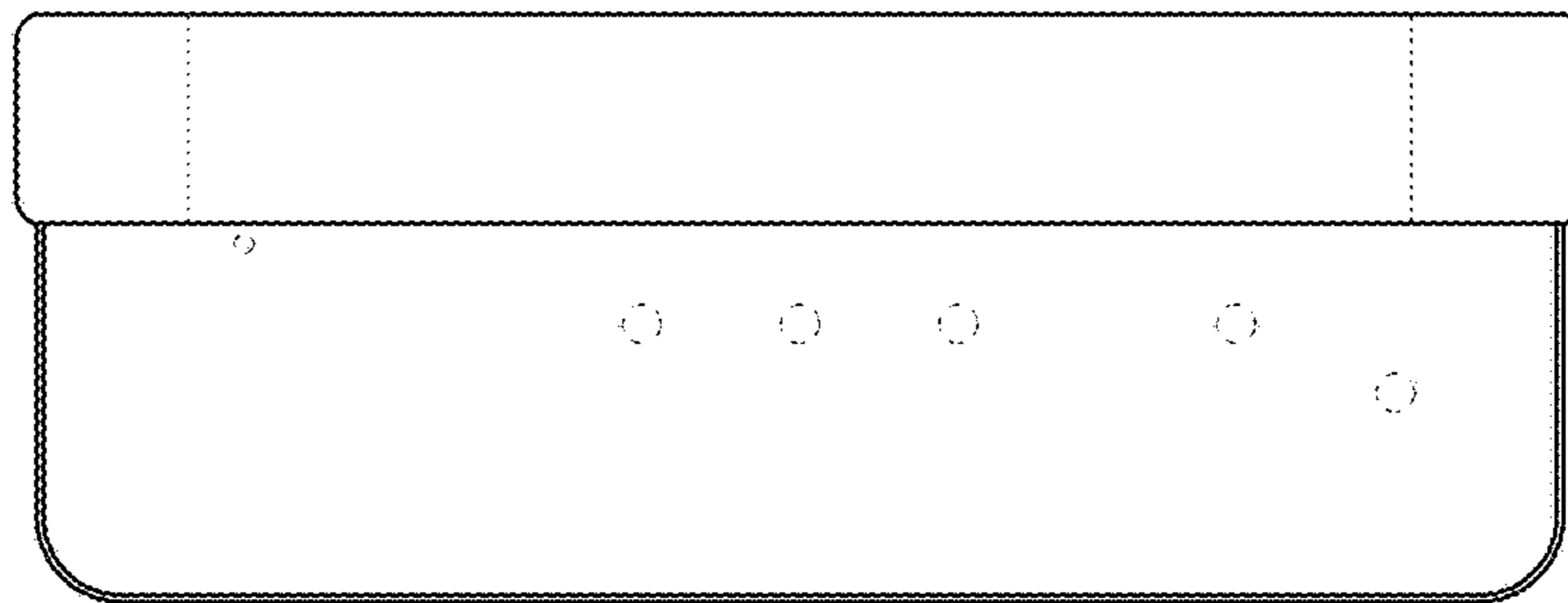


FIG. 6

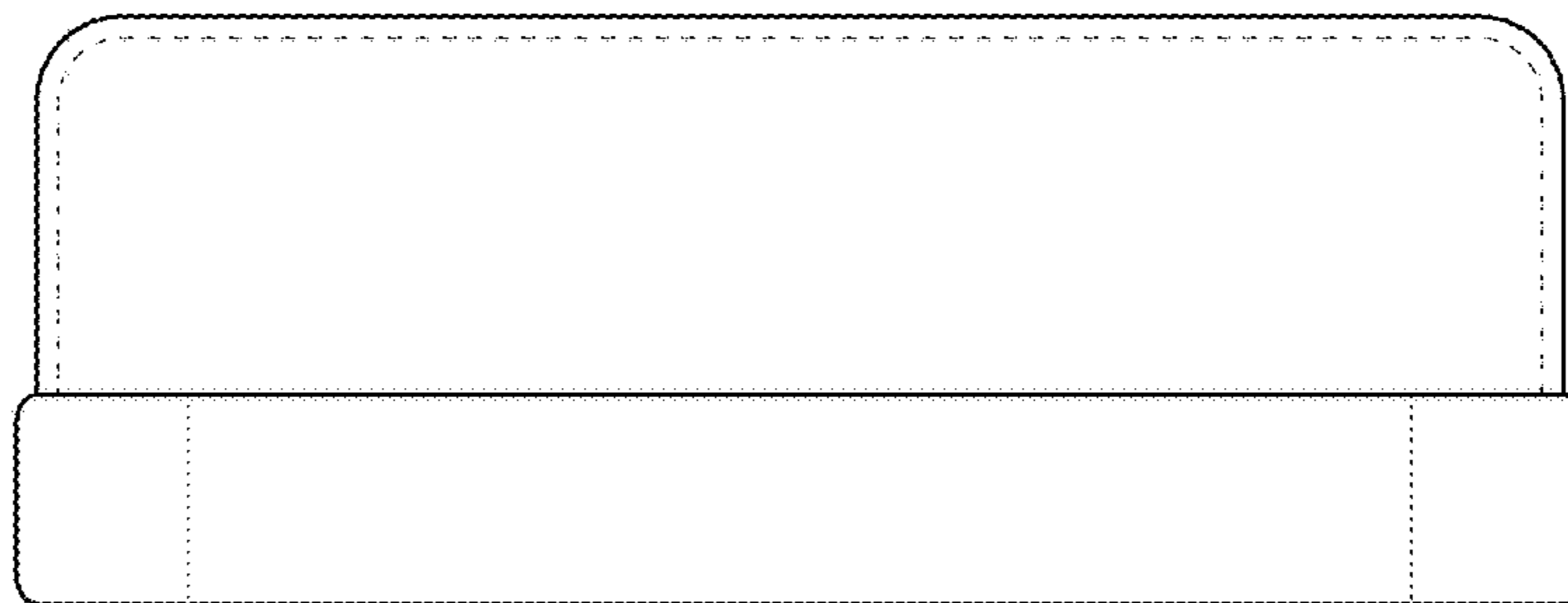


FIG. 7