



US00D867028S

(12) **United States Design Patent**  
**Gelman**

(10) **Patent No.:** **US D867,028 S**

(45) **Date of Patent:** **\*\* Nov. 19, 2019**

(54) **VANITY**

D634,948 S \* 3/2011 Lewis ..... D6/691.8  
D731,827 S \* 6/2015 Thorne ..... D6/691.3  
D754,455 S \* 4/2016 Healy ..... D6/657

(71) Applicant: **E&T HORIZONS LIMITED**  
**LIABILITY COMPANY**, Melbourne,  
FL (US)

**OTHER PUBLICATIONS**

(72) Inventor: **Eric Gelman**, Melbourne, FL (US)

Black Granite Counter Top Bathroom Double Sink Vanity [https://www.ebay.com/itm/83-Black-Granite-Counter-Top-Bathroom-Double-Sink-Vanity-Lavatory-Cabinet-266BG-/271785017842?\\_trksid=p2349526.m4383.l44720.c10&nordt=true&rt=nc&orig\\_cvip=true](https://www.ebay.com/itm/83-Black-Granite-Counter-Top-Bathroom-Double-Sink-Vanity-Lavatory-Cabinet-266BG-/271785017842?_trksid=p2349526.m4383.l44720.c10&nordt=true&rt=nc&orig_cvip=true) (Year: 2019).\*

(73) Assignee: **E&T HORIZONS LIMITED**  
**LIABILITY COMPANY**, Melbourne,  
FL (US)

\* cited by examiner

(\*\*) Term: **15 Years**

*Primary Examiner* — Robert A Delehanty

(21) Appl. No.: **29/657,868**

(74) *Attorney, Agent, or Firm* — Mark Malek; Widerman Malek, PL

(22) Filed: **Jul. 26, 2018**

(57) **CLAIM**

(51) **LOC (12) Cl.** ..... **06-04**

The ornamental design for a vanity, as shown and described.

(52) **U.S. Cl.**

**DESCRIPTION**

USPC ..... **D6/657**

(58) **Field of Classification Search**

USPC ..... D23/286, 308; D6/653.1, 657, 659–661,  
D6/663, 666, 671, 691.3, 709, 661.3, 668,  
D6/688.21; D25/48.7, 48.3

CPC ..... A47B 2200/12; A47B 88/40; A47B 77/06;  
E01C 1/33

See application file for complete search history.

FIG. 1 is a front perspective view of a vanity according to the present invention.

FIG. 2 is a front elevation view of the vanity illustrated in FIG. 1.

FIG. 3 is a rear elevation view of the vanity illustrated in FIG. 1.

FIG. 4 is a side elevation view of the vanity illustrated in FIG. 1.

FIG. 5 is another side elevation view of the vanity illustrated in FIG. 1.

FIG. 6 is a top plan view of the vanity illustrated in FIG. 1.

FIG. 7 is a bottom plan view of the vanity illustrated in FIG. 1; and,

FIG. 8 is a rear perspective view of the vanity illustrated in FIG. 1.

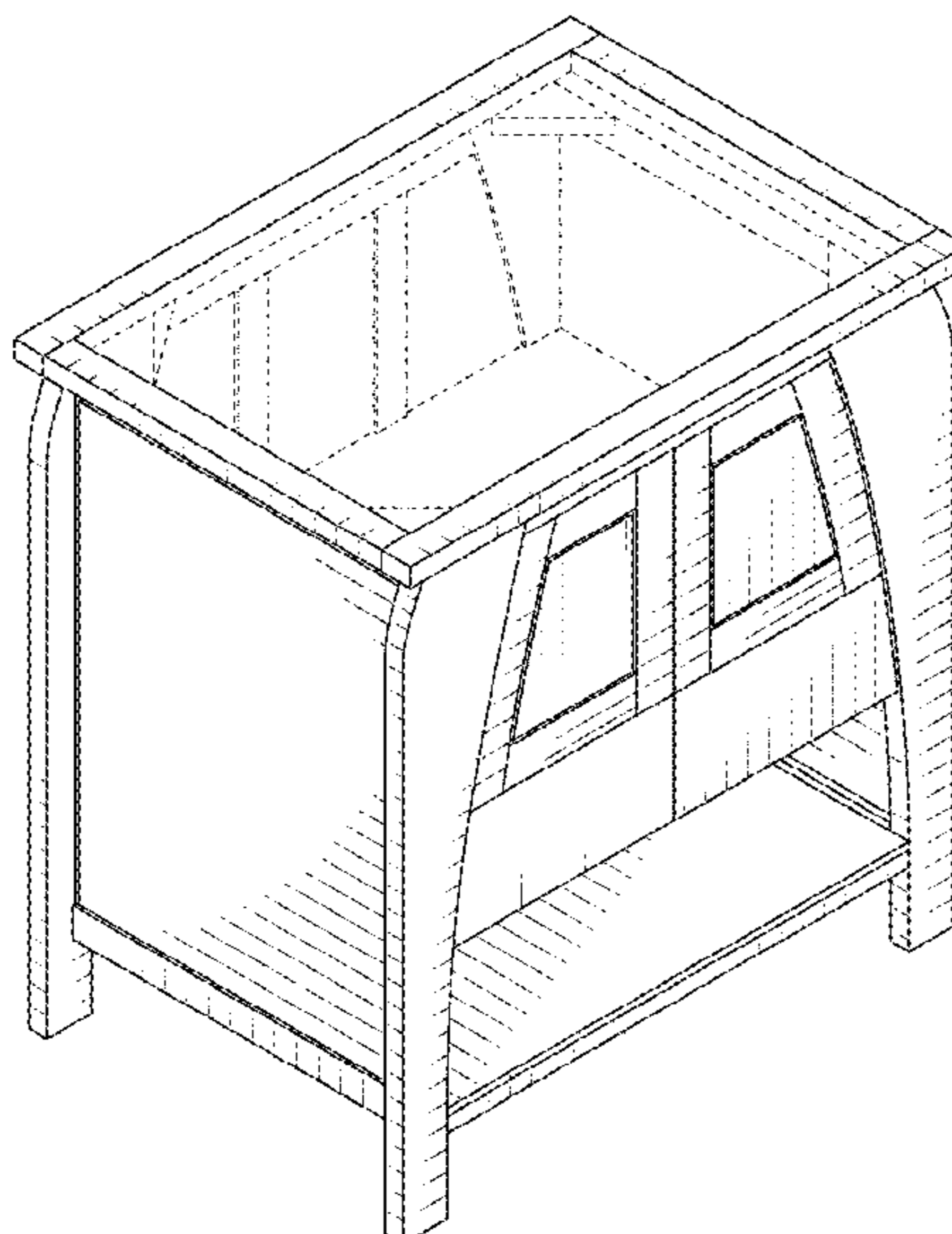
The broken lines depict interior portions of the vanity that form no part of the claimed invention.

(56) **References Cited**

**U.S. PATENT DOCUMENTS**

D403,529 S \* 1/1999 De Blaay ..... D6/657  
D471,378 S \* 3/2003 Lenger ..... D6/657  
D474,045 S \* 5/2003 Berry, Jr. .... D6/668.2  
D512,853 S \* 12/2005 Moser ..... D6/671.1  
D513,137 S \* 12/2005 De Blaay ..... D6/657  
D559,404 S \* 1/2008 Chen ..... D25/48.3  
D559,584 S \* 1/2008 Zambelli ..... D6/657  
D560,395 S \* 1/2008 Mayer ..... D23/286  
D620,727 S \* 8/2010 LeTourneau ..... D23/286

**1 Claim, 5 Drawing Sheets**



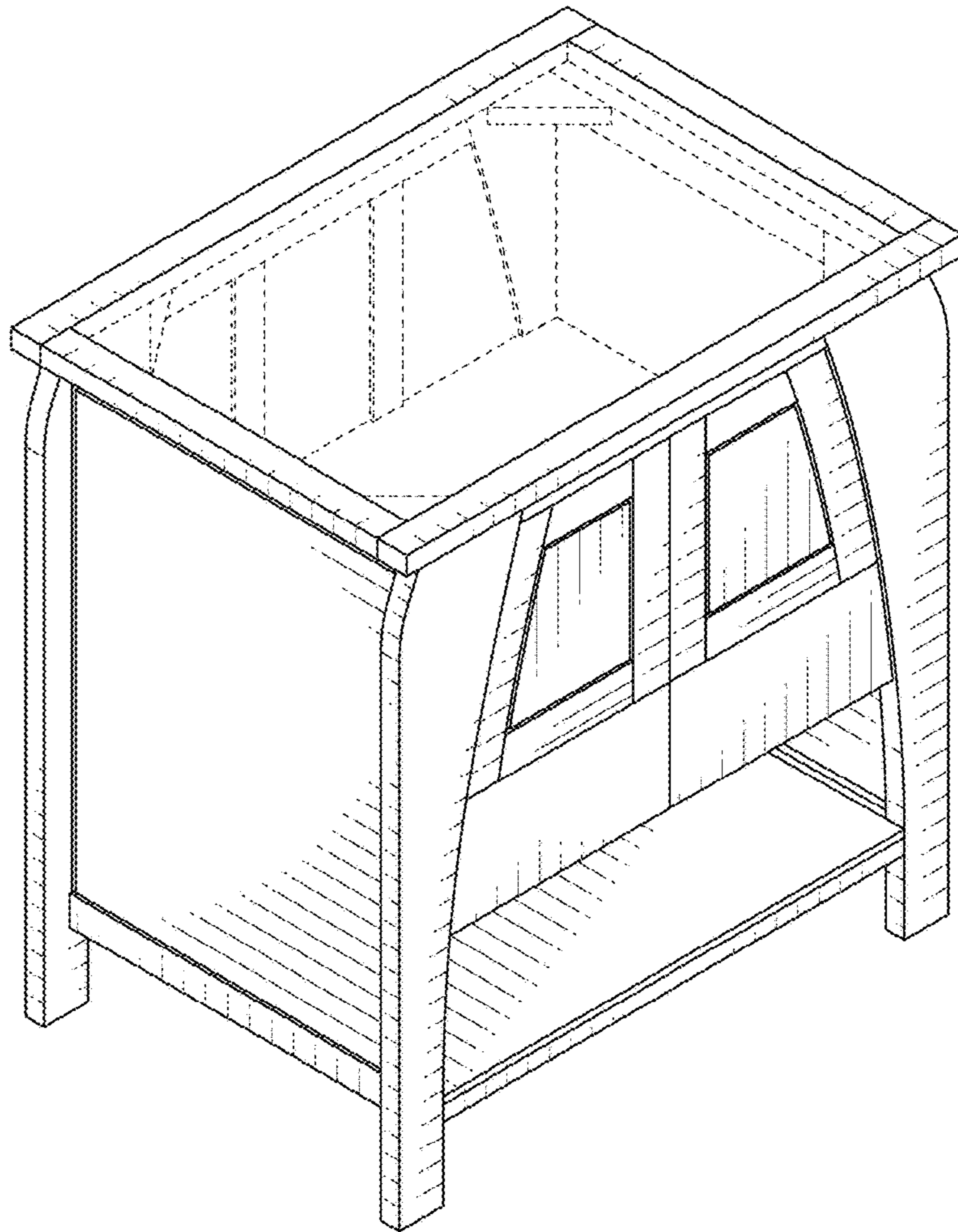


FIG. 1

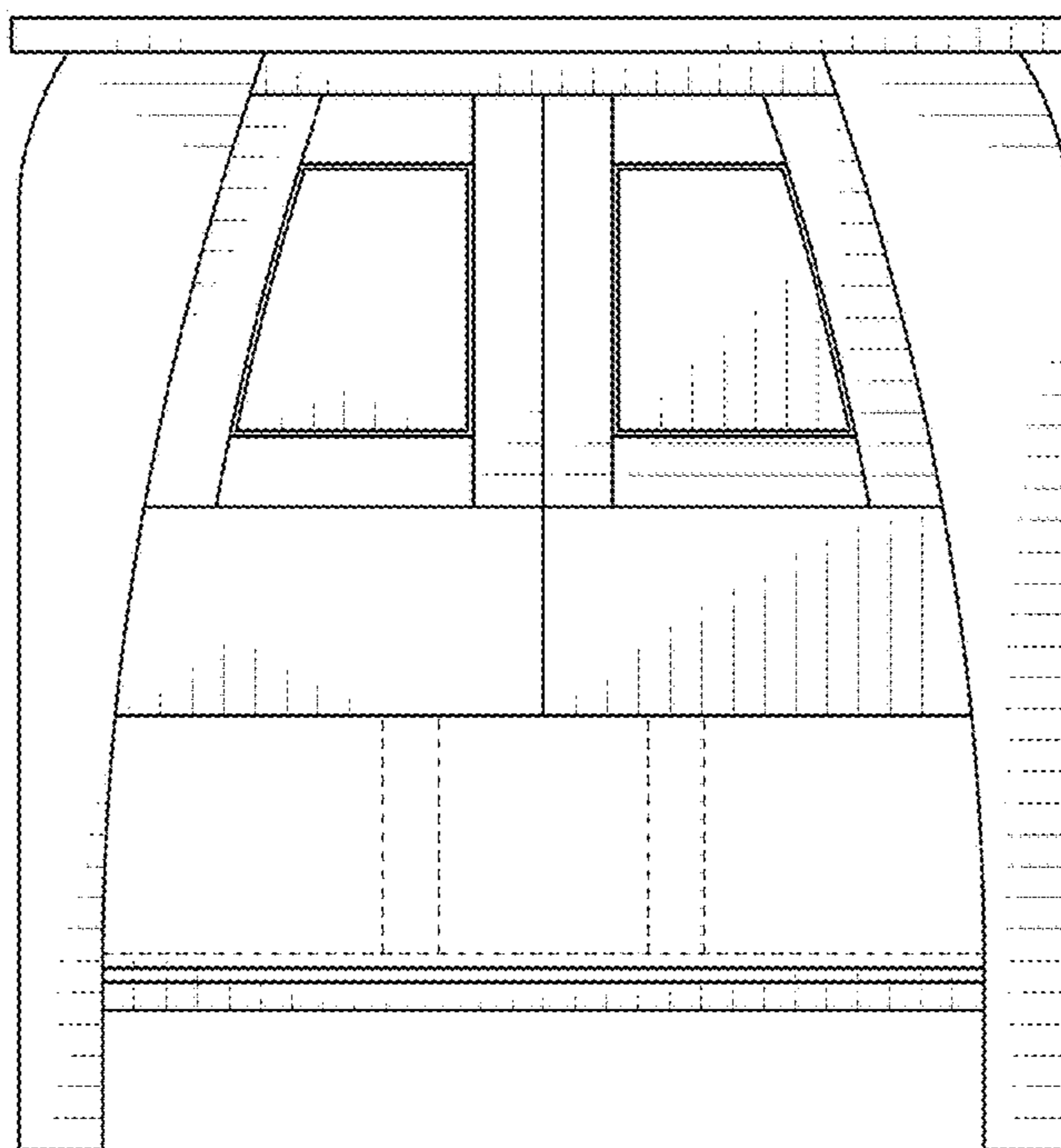


FIG. 2

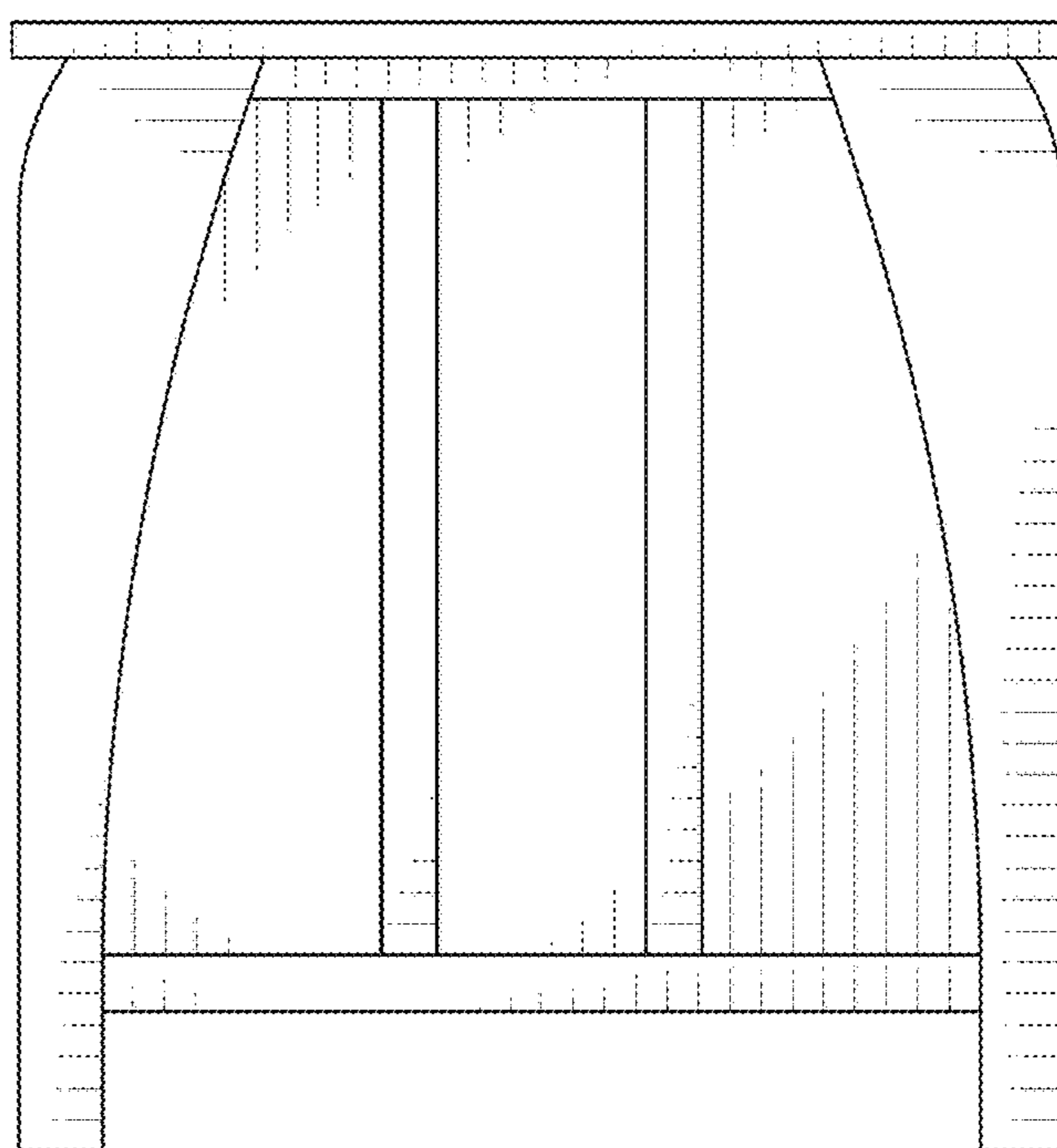


FIG. 3

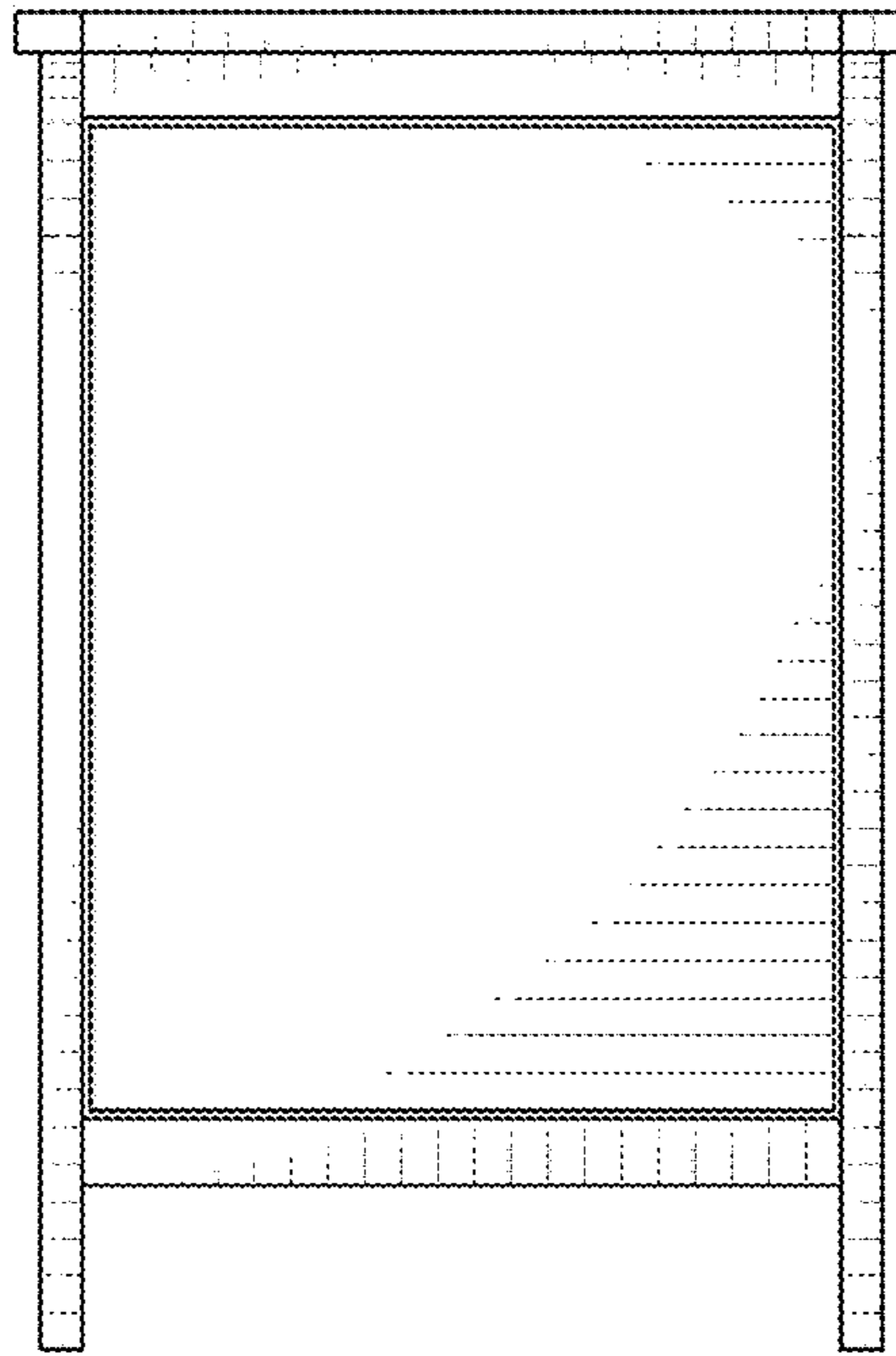


FIG. 4

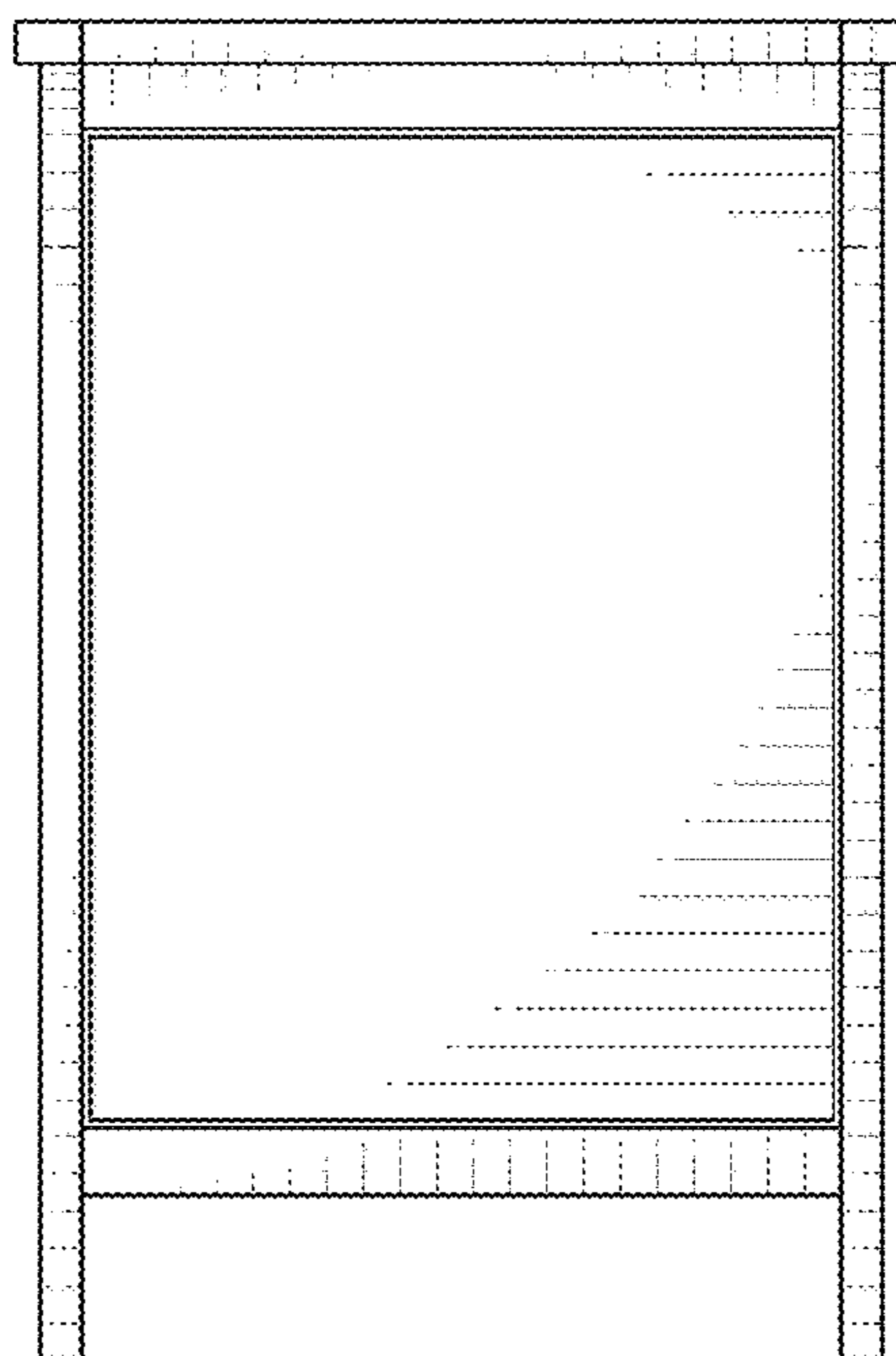


FIG. 5

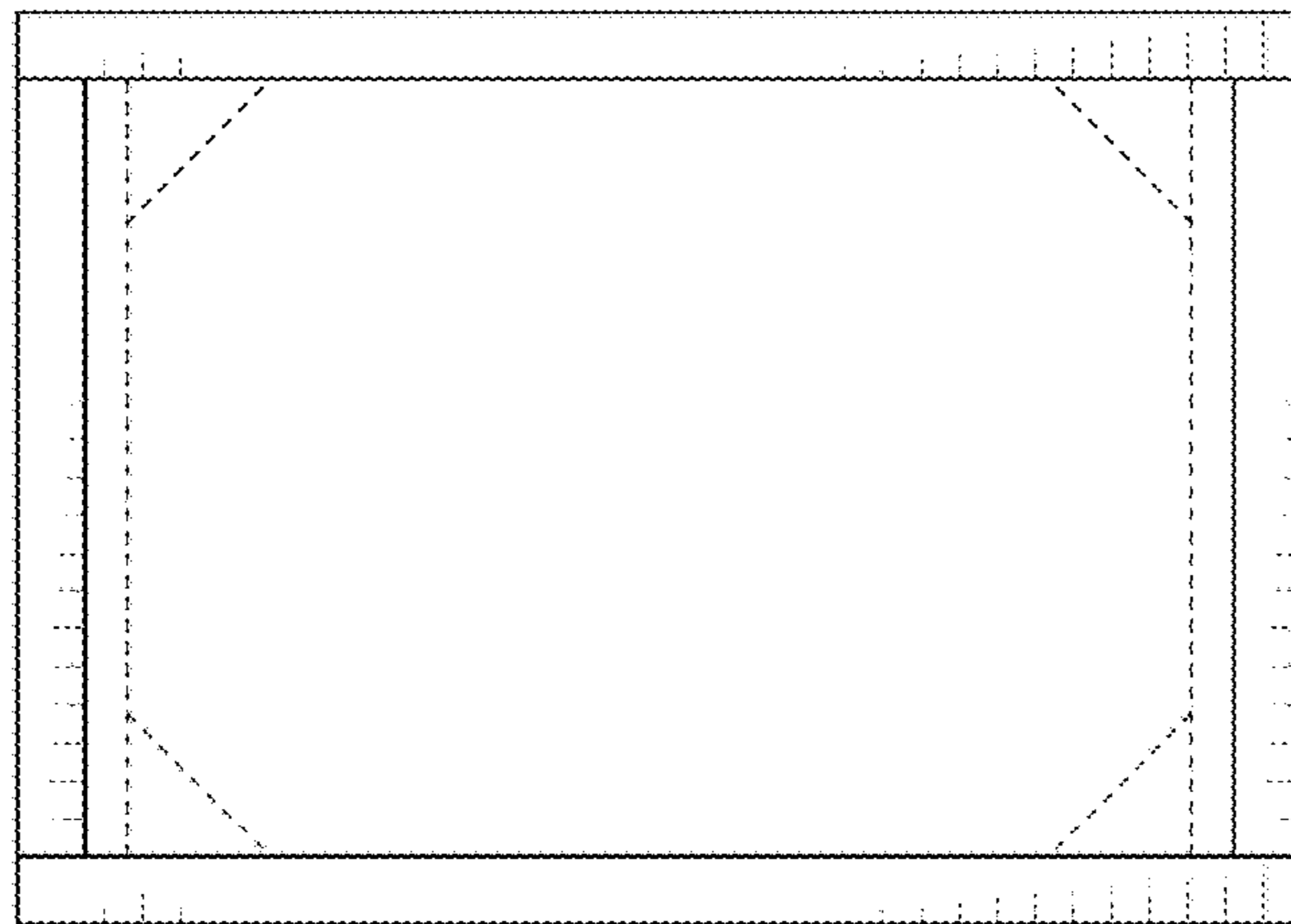


FIG. 6

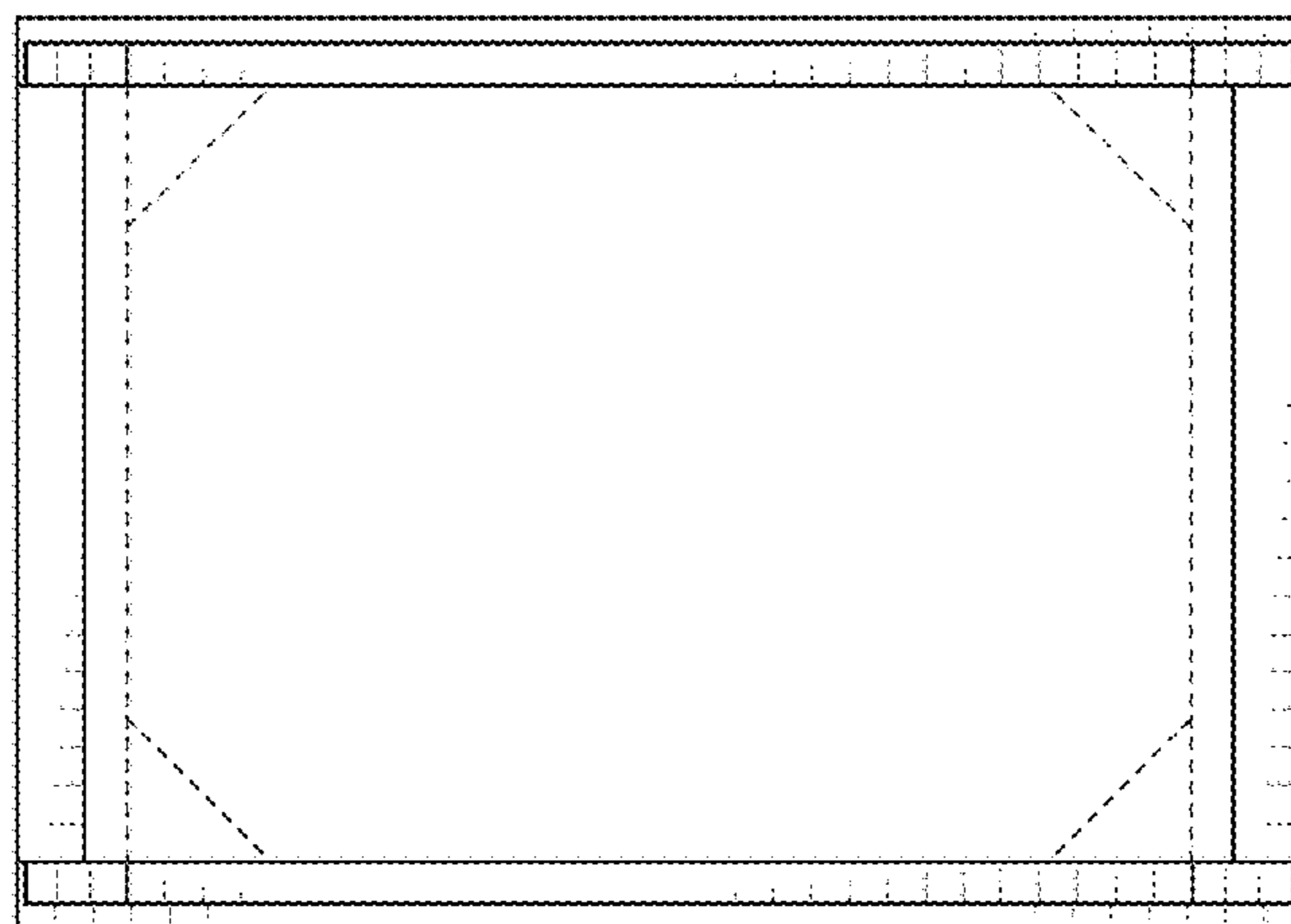


FIG. 7

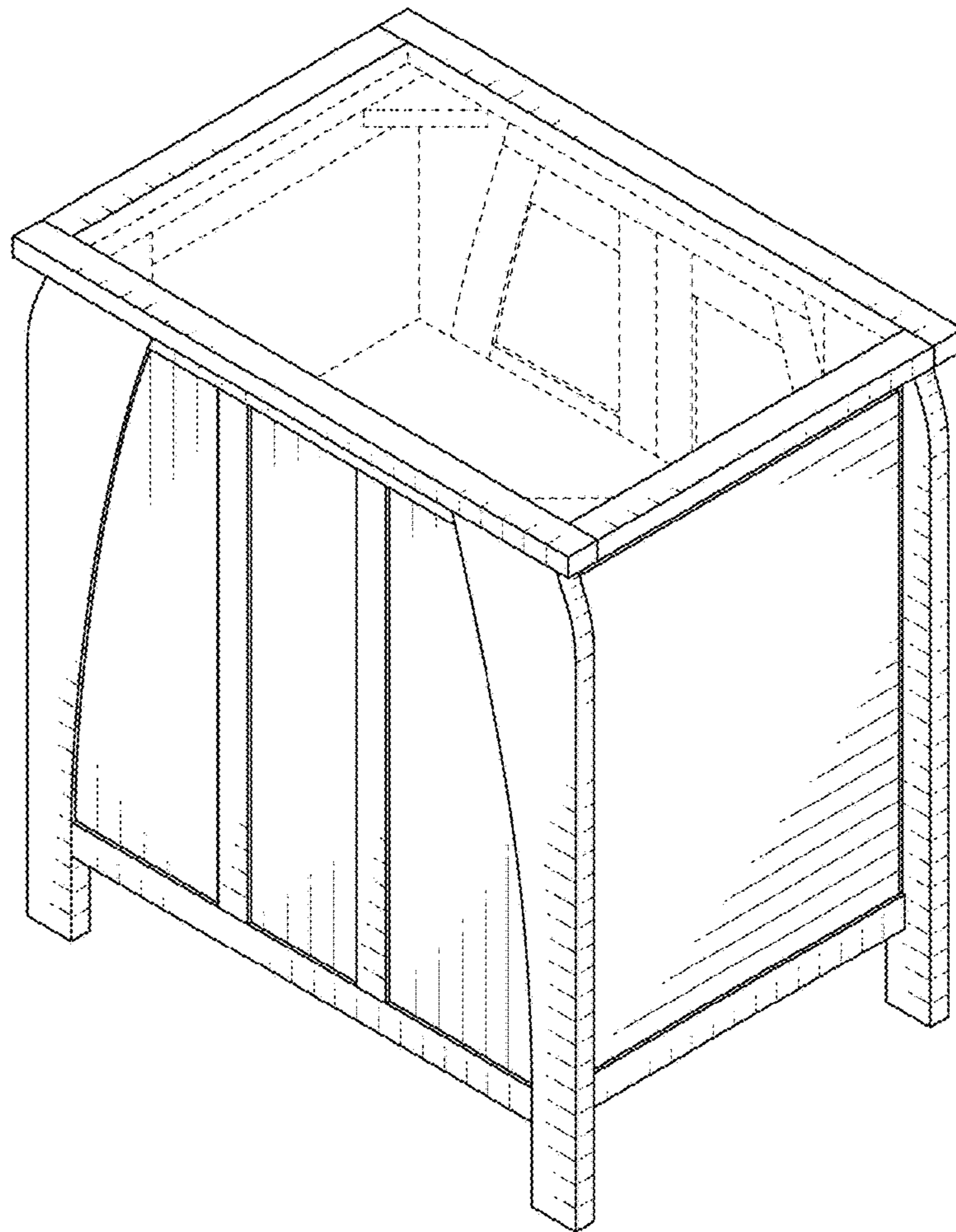


FIG. 8