



US00D867025S

(12) **United States Design Patent**
Dornic

(10) **Patent No.:** **US D867,025 S**

(45) **Date of Patent:** **** Nov. 19, 2019**

(54) **FURNITURE UNIT**

(71) Applicant: **Jevin Michael Inc.**, Monmouth Junction, NJ (US)

(72) Inventor: **Jevin Michael Dornic**, Laguna Beach, CA (US)

(**) Term: **15 Years**

(21) Appl. No.: **29/575,707**

(22) Filed: **Aug. 27, 2016**

(51) **LOC (12) Cl.** **06-04**

(52) **U.S. Cl.**
USPC **D6/657**; D6/675.1; D6/671.1

(58) **Field of Classification Search**
USPC D6/657, 668.1, 668.2, 669, 671, 671.1, D6/672, 675.1, 678.1, 678.2, 682.6, 683, D6/683.1, 705

CPC ... A47B 43/00; A47F 3/00; A47F 3/08; A47F 5/0018; A47F 5/0043; A47F 5/10
See application file for complete search history.

(56) **References Cited**

U.S. PATENT DOCUMENTS

D397,559 S * 9/1998 Zaidman D6/671.1
D508,172 S * 8/2005 Malizia D6/675.1
D559,585 S * 1/2008 Lara D6/657
D588,835 S * 3/2009 Domack D6/671

D598,672 S * 8/2009 Maly D6/671.1
D728,280 S * 5/2015 Weatherly D6/671.1
D742,142 S * 11/2015 Everson D6/675.1
D742,667 S * 11/2015 Weatherly D6/671.1
D808,688 S * 1/2018 Everson D6/657
D817,037 S * 5/2018 Davis D6/657
D817,038 S * 5/2018 Davis D6/657
D834,355 S * 11/2018 Davis D6/657
D848,767 S * 5/2019 Smrstick D6/657

* cited by examiner

Primary Examiner — Manpreet S Matharu

Assistant Examiner — Keith J Wilson

(74) *Attorney, Agent, or Firm* — Robert J. Ballarini

(57) **CLAIM**

The ornamental design for a furniture unit, as shown and described.

DESCRIPTION

FIG. 1 is a top left perspective view of the furniture unit according to my design;

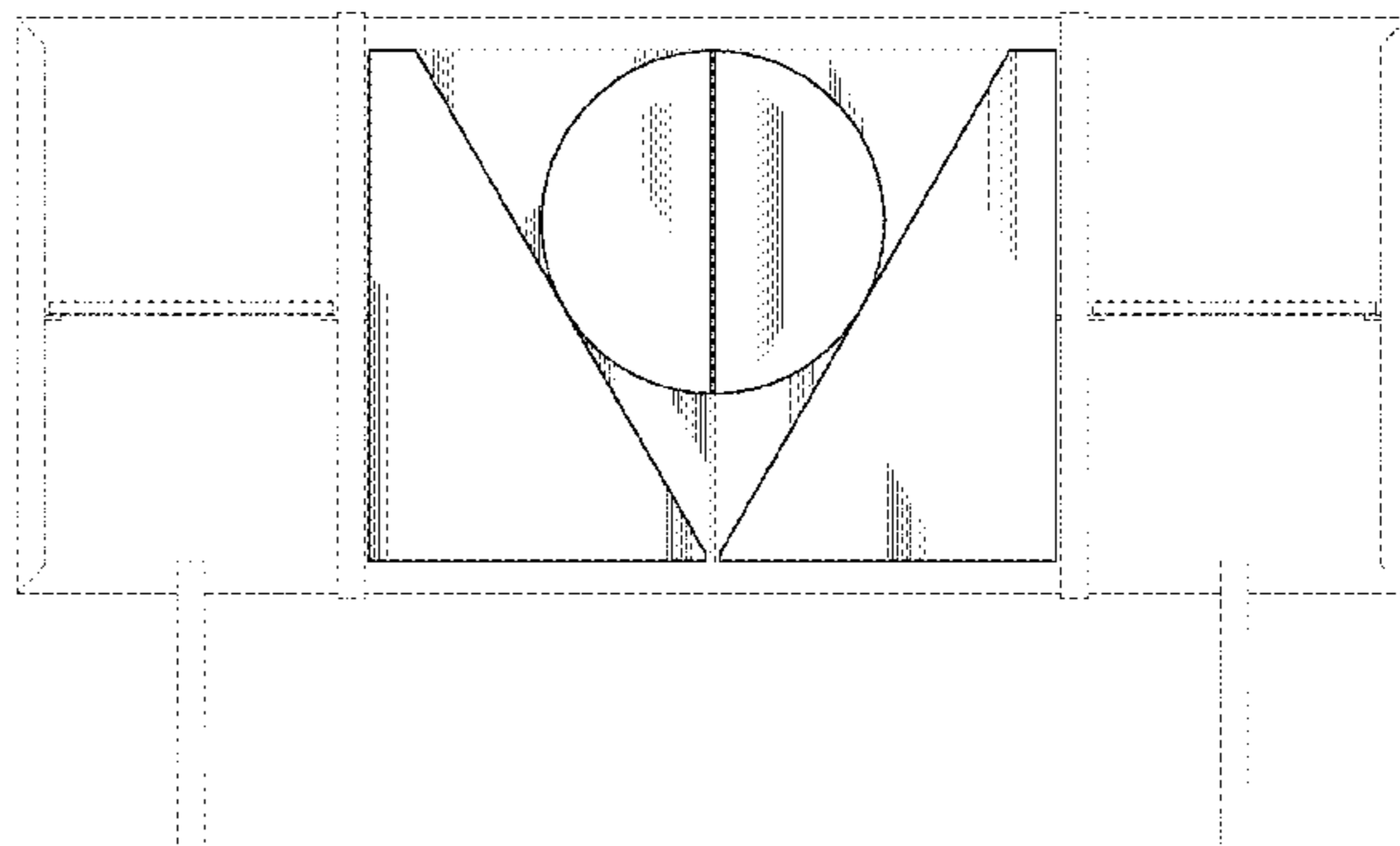
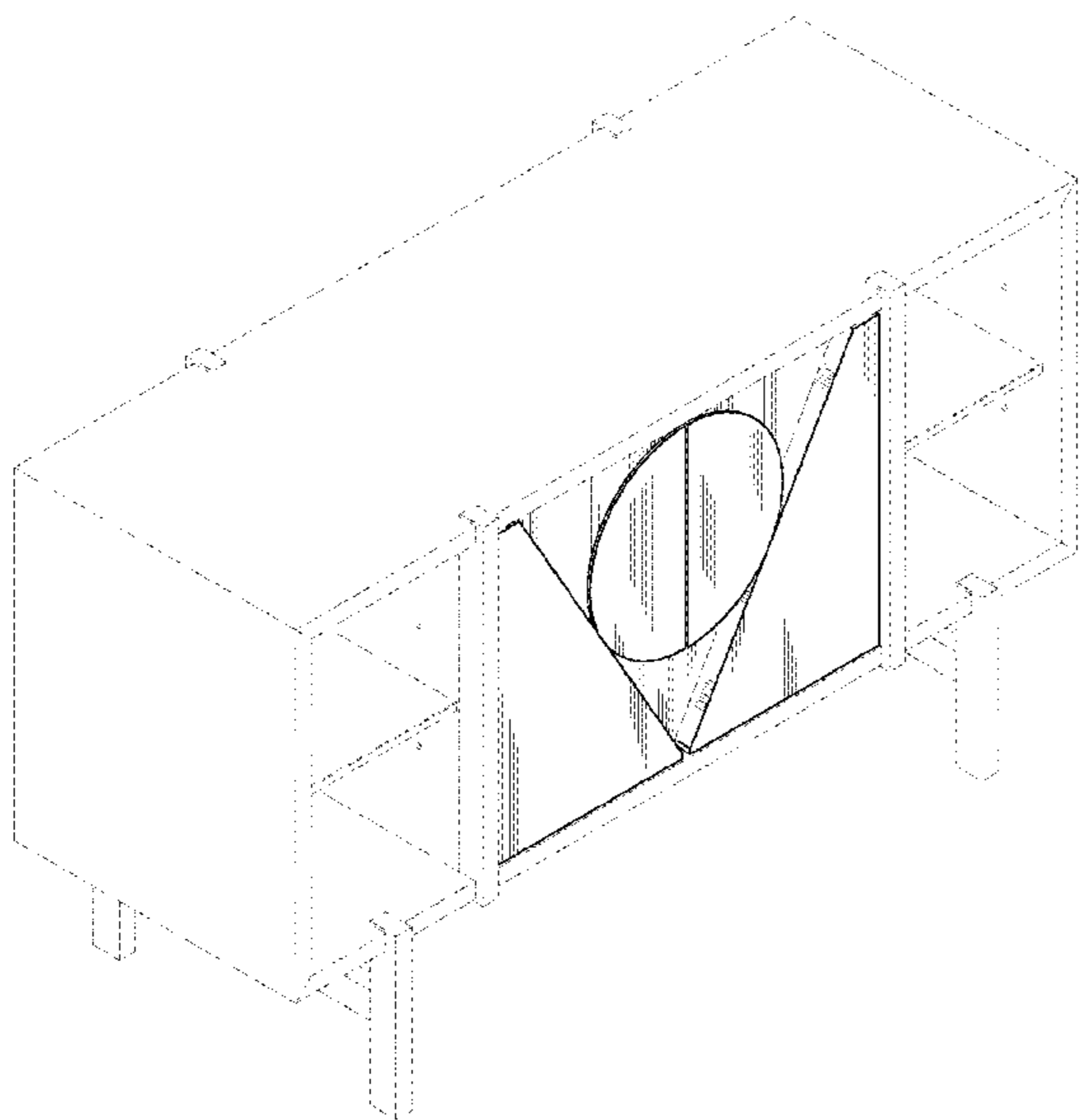
FIG. 2 is a top right perspective view thereof;

FIG. 3 is a bottom perspective view thereof; and,

FIG. 4 is a front view thereof.

The dashed broken lines shown represent portions of a furniture unit and form no part of the claimed design.

1 Claim, 4 Drawing Sheets



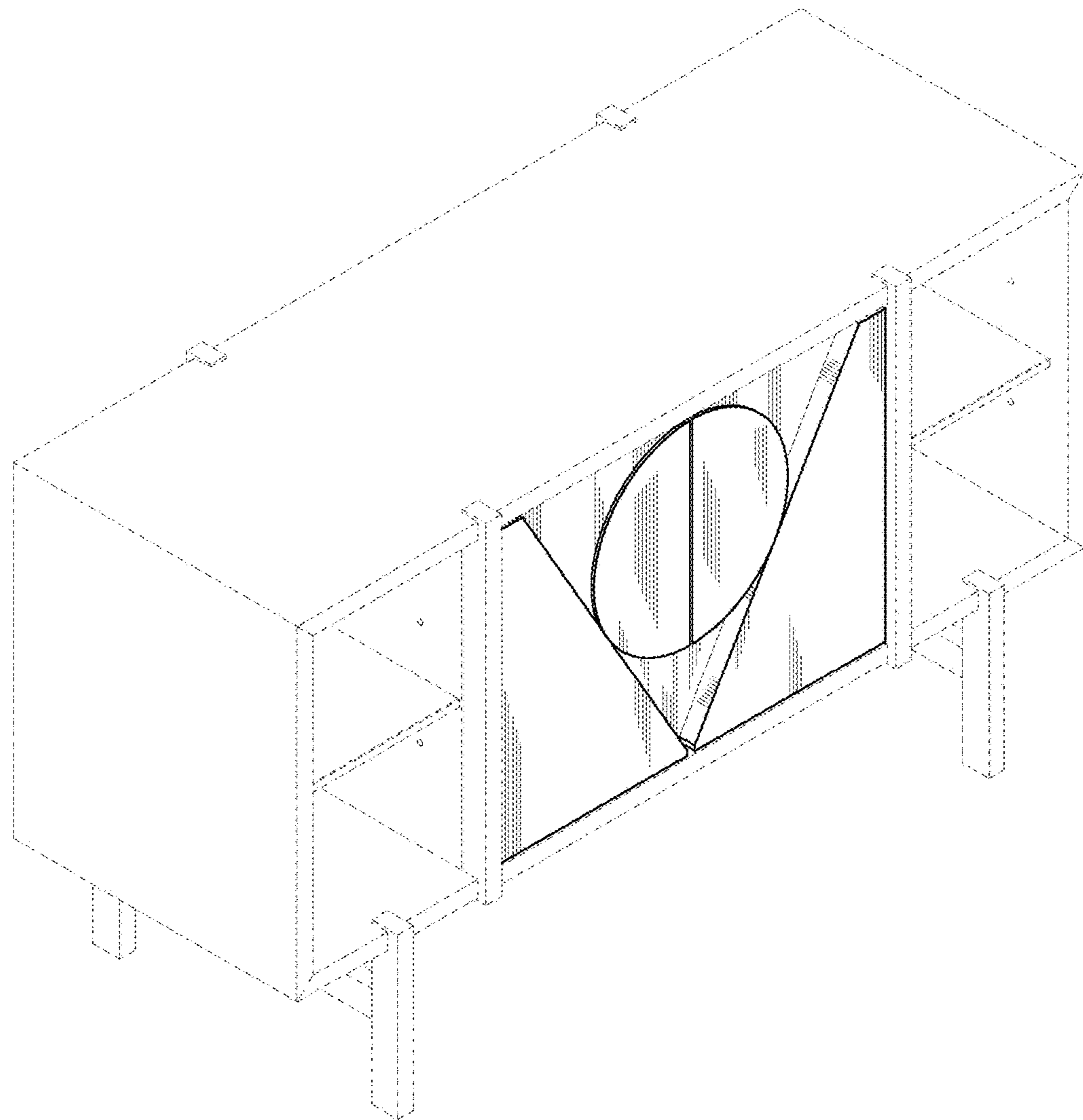


FIG. 1

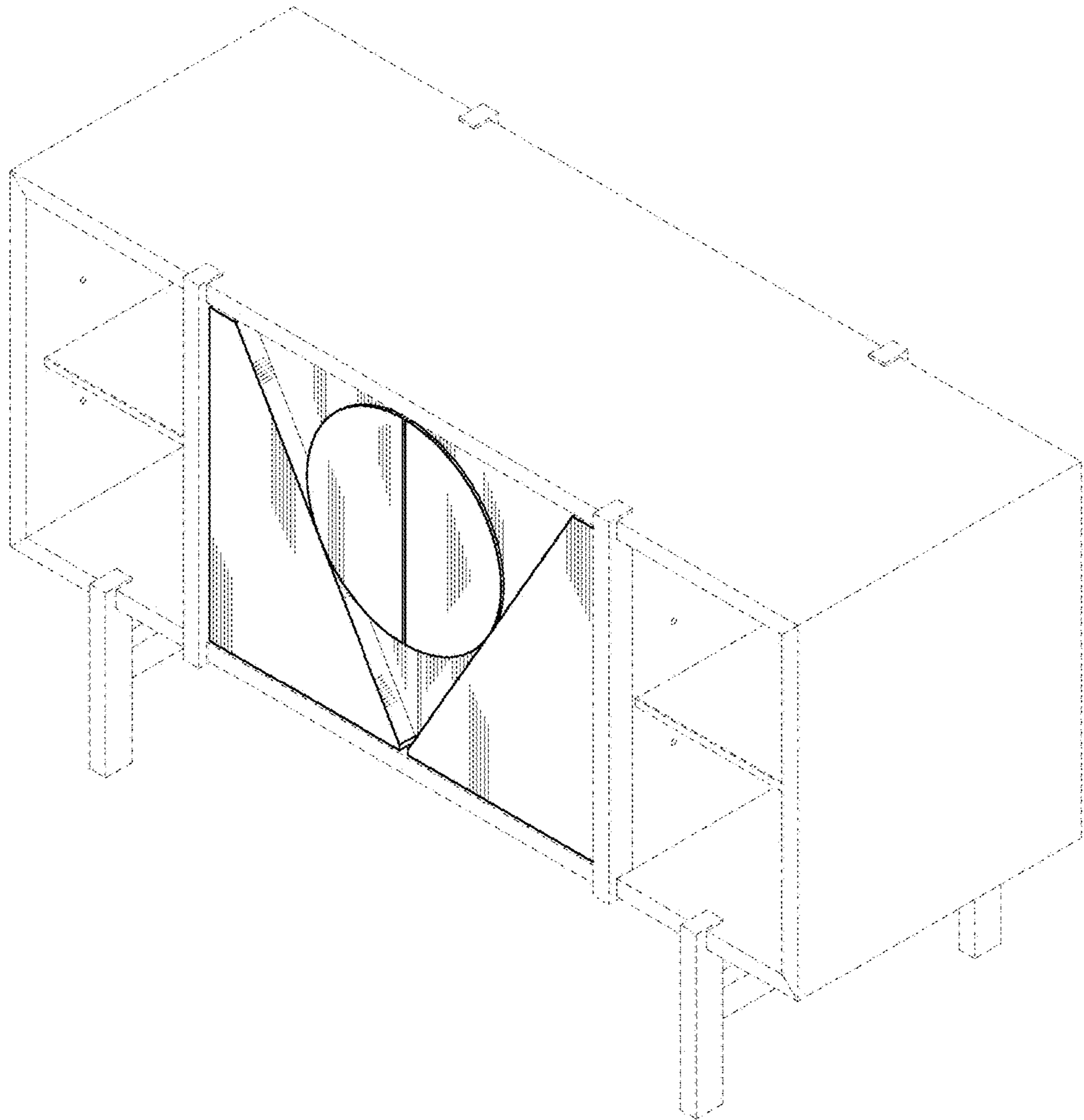


FIG. 2

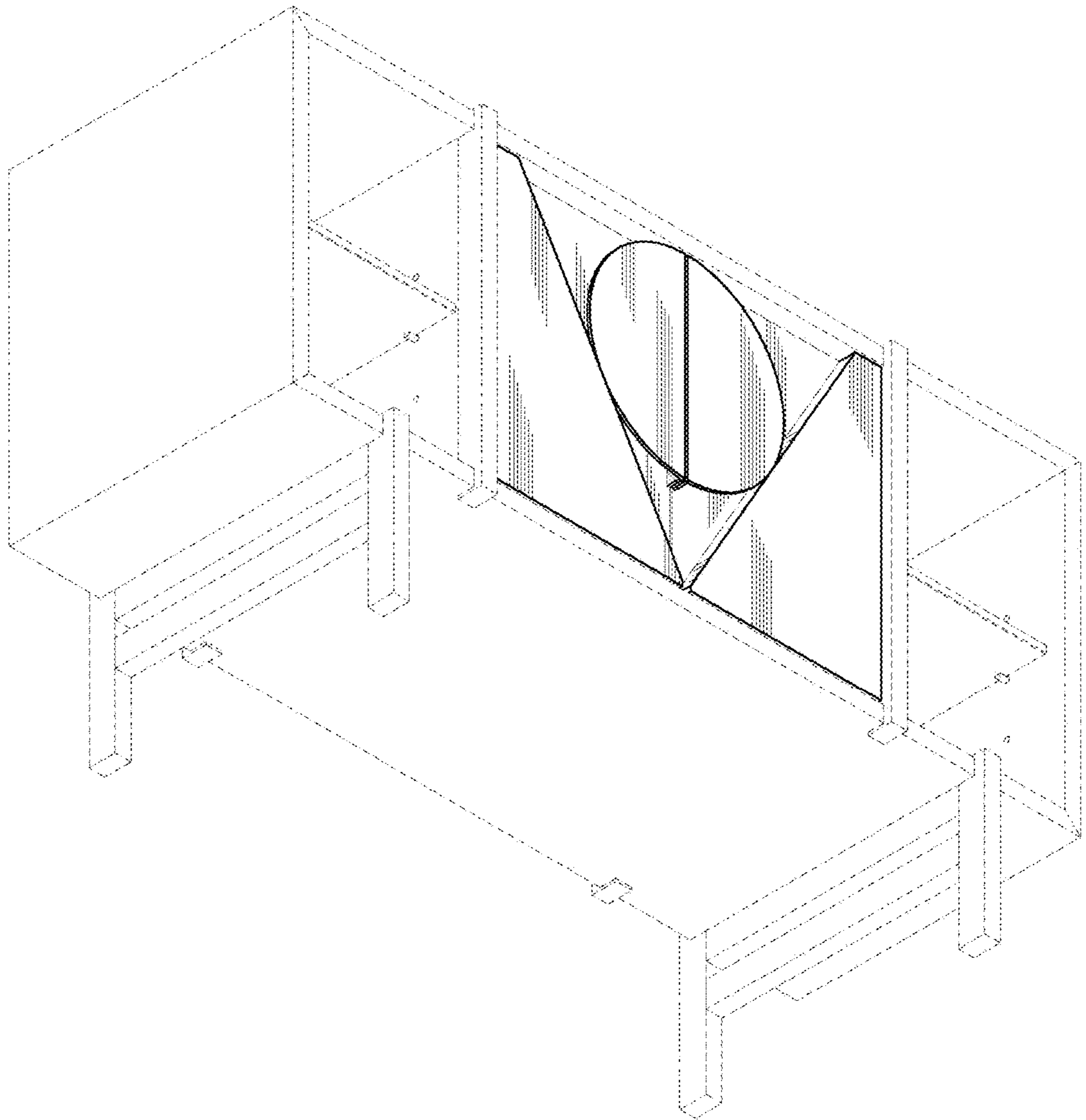


FIG. 3

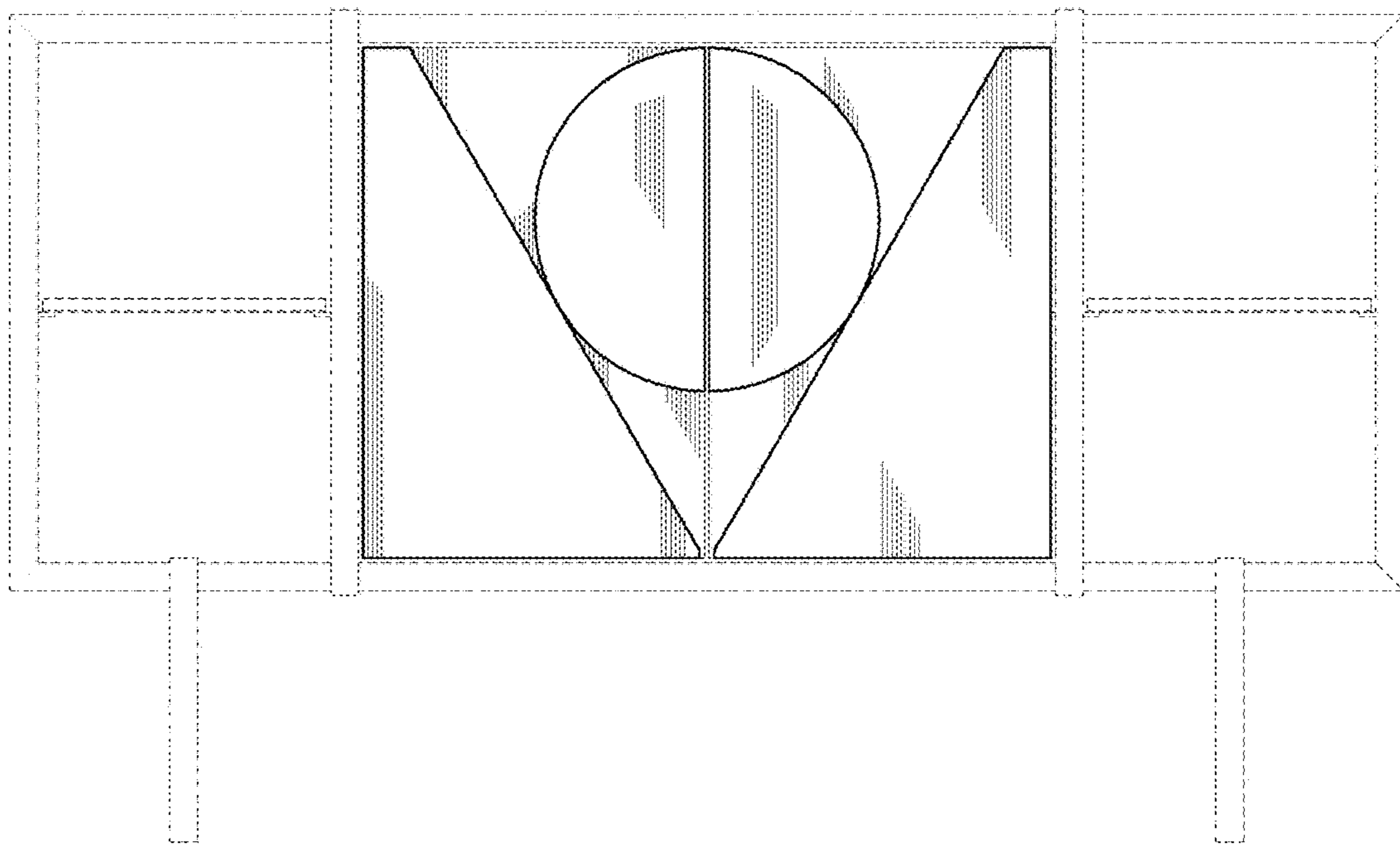


FIG. 4