

US00D867024S

(12) **United States Design Patent**
Kilibarda

(10) **Patent No.:** **US D867,024 S**

(45) **Date of Patent:** **** Nov. 19, 2019**

(54) **MULTIFUNCTION KITCHEN CONSOLE**

(71) Applicant: **Irena Kilibarda**, Belgrade (RS)

(72) Inventor: **Irena Kilibarda**, Belgrade (RS)

(**) Term: **15 Years**

(21) Appl. No.: **35/503,267**

(22) Filed: **Jul. 14, 2016**

(80) **Hague Agreement Data**

Int. Filing Date: **Feb. 16, 2016**

Int. Reg. No.: **DM/096523**

Int. Reg. Date: **Jul. 14, 2016**

Int. Reg. Pub. Date: **Jun. 30, 2017**

(51) **LOC (12) Cl.** **06-03**

(52) **U.S. Cl.**
USPC **D6/655.23**

(58) **Field of Classification Search**
USPC D6/641, 642, 655, 655.14, 655.16,
D6/655.23, 660, 661, 698, 699, 707.19;
D23/272, 286

CPC .. A47B 77/06; A47B 2220/01; A47B 2220/03

See application file for complete search history.

(56) **References Cited**

U.S. PATENT DOCUMENTS

D108,501 S *	2/1938	Stevens	D6/699
D184,887 S *	4/1959	Ogg	312/209
D186,302 S *	10/1959	Snyder	D23/286
D235,645 S *	7/1975	Peters, Jr. et al.	D23/272
D429,579 S *	8/2000	Lechman	D6/655.16
D489,155 S *	4/2004	Underbrink	D23/286
D543,728 S *	6/2007	Becker	D6/661
D548,488 S *	8/2007	Weatherly	D6/661
D560,931 S *	2/2008	Woodward	D6/671.1
D687,250 S *	8/2013	Weatherly	D6/661

D732,855 S *	6/2015	Helser	D6/660
D737,943 S *	9/2015	Lee	D23/272
D747,123 S *	1/2016	Zambelli	D6/660
D787,246 S *	5/2017	Price	D6/699
D787,247 S *	5/2017	Price	D6/699
D798,084 S *	9/2017	Acuff	D6/641
D802,345 S *	11/2017	Hurford	D6/709

OTHER PUBLICATIONS

Kitch'T is Modular and Compact Kitchen by Irena Kilibarda, homecru.com, pp. 1-4 of 11 pages. Found online Apr. 5, 2018 at: <http://www.homecru.com/kitcht-is-modular-and-compact-kitchen-by-irena-kilibarda/44614/> (Year: 2018).*

Imm cologne 2016 website: koelnmesse-welcome.com, p. 1 of 21. Found online Apr. 5, 2018 at: <http://koelnmesse-welcome.com/imm-cologne/en/> (Year: 2016).*

* cited by examiner

Primary Examiner — Robert M. Spear

(74) *Attorney, Agent, or Firm* — Legends Law Group, PLLC; Stephen H Bean, Esq.

(57) **CLAIM**

I claim the ornamental design for the multifunction kitchen console, as shown and described.

DESCRIPTION

2. Multifunction kitchen console

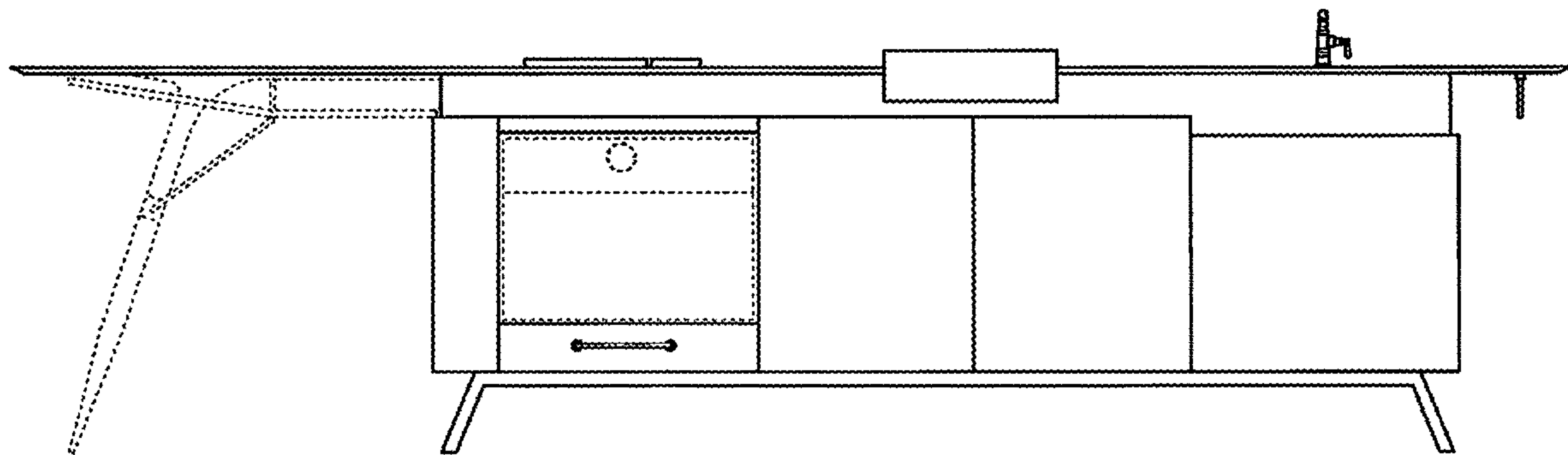
Fig. 2.1 is a front view of the multifunction kitchen console showing my new design;

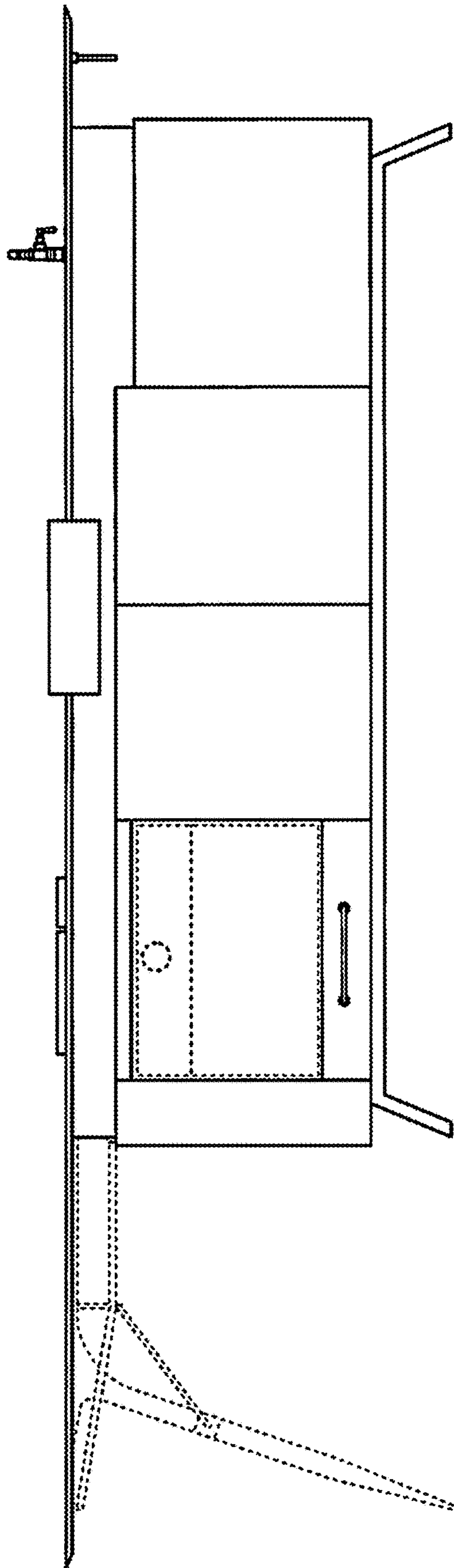
Fig. 2.2 is a back view thereof; and

Fig. 2.3 is a right side view thereof.

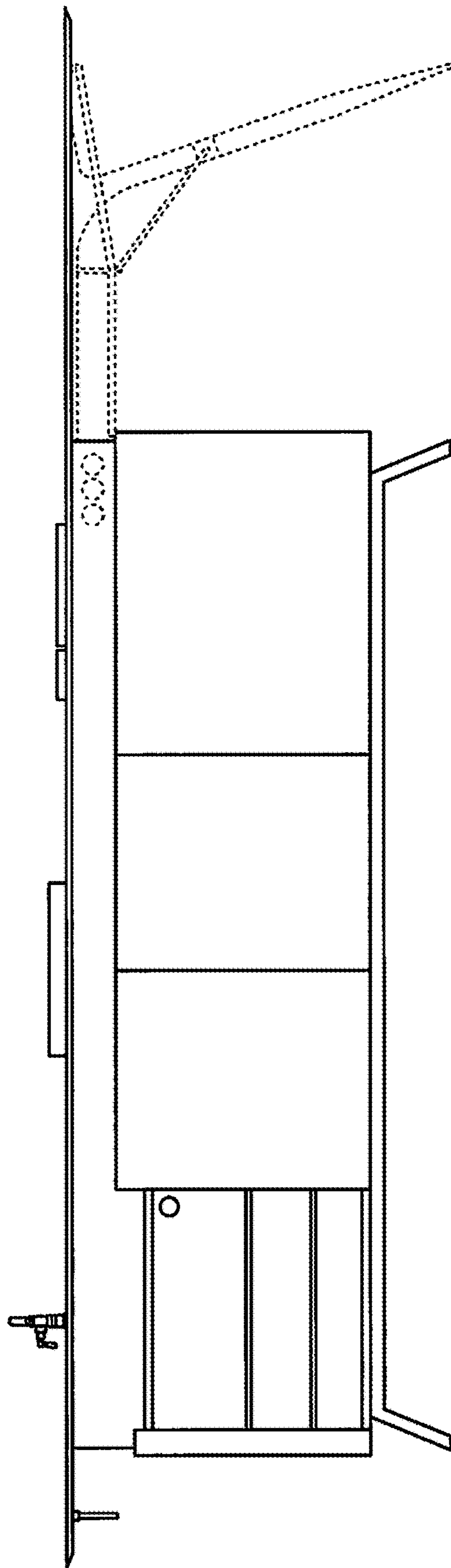
The broken line showing of portions of the multifunction kitchen console depicts environment and forms no part of the claim; the broken lines immediately adjacent surfaces shown in solid lines depict boundaries of the claim.

1 Claim, 3 Drawing Sheets

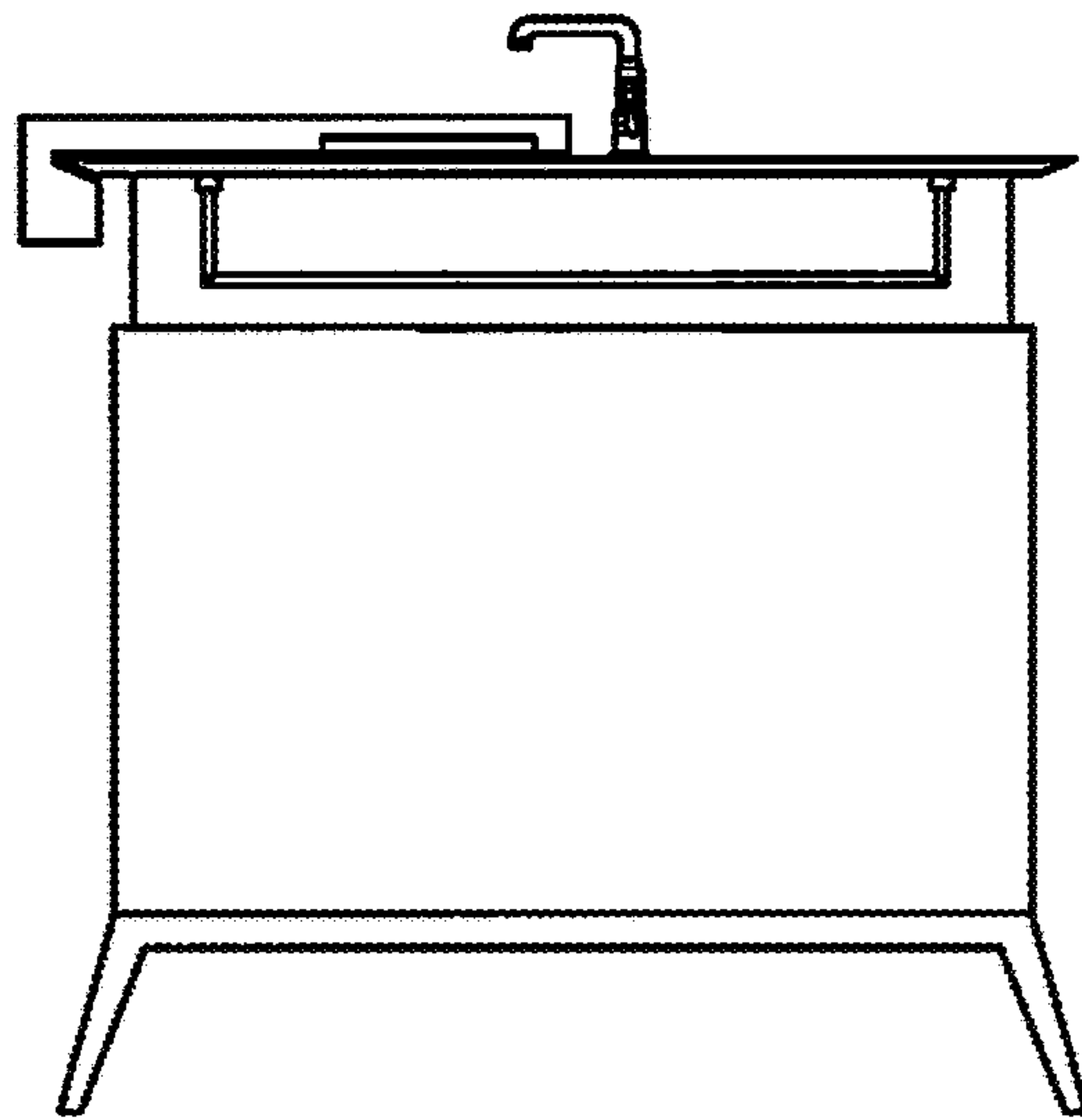




2.1



2.2



2.3