

US00D867022S

(12) **United States Design Patent** (10) **Patent No.:** **US D867,022 S**
Ross (45) **Date of Patent:** **** Nov. 19, 2019**

(54) **FABRIC COVERING FOR A MATTRESS**

- (71) Applicant: **SERTA, INC.**, Hoffman Estates, IL (US)
- (72) Inventor: **James P. Ross**, Atlanta, GA (US)
- (73) Assignee: **SERTA, INC.**, Hoffman Estates, IL (US)
- (**) Term: **15 Years**

(21) Appl. No.: **29/626,300**

(22) Filed: **Nov. 16, 2017**

(51) **LOC (12) Cl.** **06-13**

(52) **U.S. Cl.**
USPC **D6/603**

(58) **Field of Classification Search**

USPC D6/333, 349, 355, 375, 388, 512, 563,
D6/564, 595, 596, 601, 604, 611, 707,
D6/715, 716, 716.1; 5/401, 411, 420,
5/426, 630, 631, 632, 633, 635, 636, 646,
5/652, 652.1, 655, 703, 730
CPC A47G 9/02; A47G 9/0207; A47G 9/0215;
A47G 9/0223; A47G 9/023; A47G
9/0238; A47G 9/0246; A47G 9/0253;
A47G 9/0261; A47G 9/06; A47G 9/062;
A47G 9/066; A47G 9/08; A47G 9/083;
A47G 9/086; A47G 9/04; A47G 9/0292;
A47G 9/00; A47G 9/10; A47G 9/1009;
A47G 9/1027; A47G 9/1045; A47G
9/1063; A47G 9/1072; A47G 9/1081;
A47G 2009/0276; A47G 2009/001; A47G
2009/002; A47G 2009/003; A47G
2009/005

See application file for complete search history.

(56) **References Cited**

U.S. PATENT DOCUMENTS

- D89,238 S * 2/1933 Juestrich D5/55
- D93,868 S * 11/1934 Fertig D6/608
- D97,439 S * 11/1935 Milliken D6/601

(Continued)

OTHER PUBLICATIONS

iComfort® by Serta Mattresses iComfort Hybrid, earliest review dated Mar. 11, 2018, [online], [site visited Mar. 12, 2019]. Available from Internet, <URL: <https://www.serta.com/mattresses/icomfort/hybrid/blue-fusion-1000-luxury-firm>> (Year: 2018).*

Primary Examiner — Michelle E. Wilson

Assistant Examiner — Sanjeev Paul

(74) *Attorney, Agent, or Firm* — Cantor Colburn LLP

(57) **CLAIM**

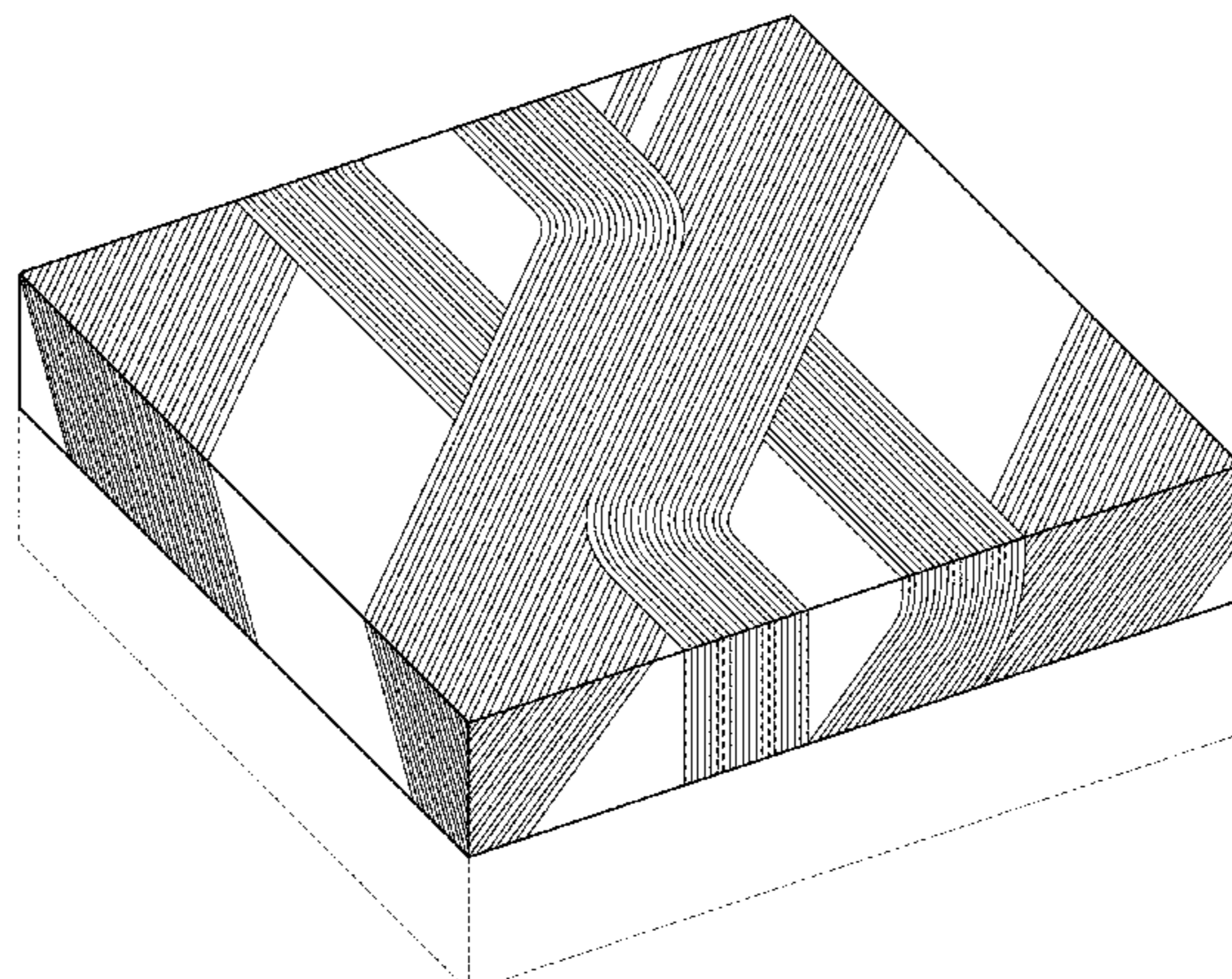
I claim the ornamental design for a fabric covering for a mattress, as shown and described.

DESCRIPTION

FIG. 1 is a top plan view of a fabric covering for a mattress of the present invention;
 FIG. 2 is right side, top perspective view of the fabric covering for a mattress embodying my design in its intended environment;
 FIG. 3 is a top plan view of the fabric covering for a mattress in its intended environment;
 FIG. 4 is a head end view of the fabric covering for a mattress in its intended environment;
 FIG. 5 is a foot end view of the fabric covering for a mattress in its intended environment;
 FIG. 6 is a right side view of the fabric covering for a mattress in its intended environment;
 FIG. 7 is a left side plan view of the fabric covering for a mattress in its intended environment; and,
 FIG. 8 is a bottom plan view of the fabric covering for a mattress in its intended environment.

The broken line boundaries are environmental and form no part of the claimed design. The orientation of the fabric covering for a mattress within its intended environment of a covering for a mattress is not intended to be limited or form part of the claimed design.

1 Claim, 4 Drawing Sheets



(56)

References Cited

U.S. PATENT DOCUMENTS

D107,221 S *	11/1937	Dewsbury	D5/59	D636,396 S *	4/2011	Li	D14/299
D112,566 S *	12/1938	Rutsch	D6/612	D648,135 S *	11/2011	Lee	D5/56
D215,798 S *	10/1969	Clementi	D6/608	D648,136 S *	11/2011	Lee	D5/56
D223,321 S *	4/1972	Scherer	D6/608	D650,994 S *	12/2011	Sheehan	D5/56
D225,385 S *	12/1972	Dougherty	D6/602	D658,917 S *	5/2012	Harris	D6/582
D250,494 S *	12/1978	Householder	D24/126	D668,902 S *	10/2012	Muche	D6/603
D257,295 S *	10/1980	Joachim	D5/7	D720,158 S *	12/2014	Harmening	D5/56
D262,590 S *	1/1982	Trotman	D6/596	D723,839 S *	3/2015	Bond	D5/62
D266,470 S *	10/1982	Gammons	D24/184	D724,864 S *	3/2015	Harmening	D5/56
D276,282 S *	11/1984	Burg	D5/55	D724,865 S *	3/2015	Jensen	D5/56
5,172,937 A *	12/1992	Sachetti	A47G 9/0207 250/462.1	D738,138 S *	9/2015	Jackson	D6/610
5,287,574 A *	2/1994	Kardell	A47G 9/0246 5/497	D746,084 S *	12/2015	Jensen	D6/606
5,299,333 A *	4/1994	Pedersen	A47G 9/10 5/486	D762,079 S *	7/2016	Oberwelz	D6/606
D356,917 S *	4/1995	Marshburn	D5/52	D765,443 S *	9/2016	Lin	D6/606
6,048,426 A *	4/2000	Pratt	B29C 70/20 156/177	D787,863 S *	5/2017	Feeken	D6/611
D425,354 S *	5/2000	Rogers	D5/53	D804,854 S *	12/2017	Bunnell	D6/606
D427,472 S *	7/2000	Rogers	D5/26	D807,667 S *	1/2018	Cooper	D6/608
D525,437 S *	7/2006	Leisch	D5/53	D821,782 S *	7/2018	Turlick	D6/603
D562,567 S *	2/2008	Proserpio	D5/56	D824,698 S *	8/2018	Pennington	D6/605
				D831,384 S *	10/2018	O'Neill	D6/601
				D838,515 S *	1/2019	Lowchareonkul	D6/603
				2004/0187211 A1 *	9/2004	Wootten, Jr.	A47G 9/0207 5/497
				2016/0030799 A1 *	2/2016	Sutherland	A63B 21/4037 5/420
				2018/0255945 A1 *	9/2018	Stewart	A47G 9/0261

* cited by examiner

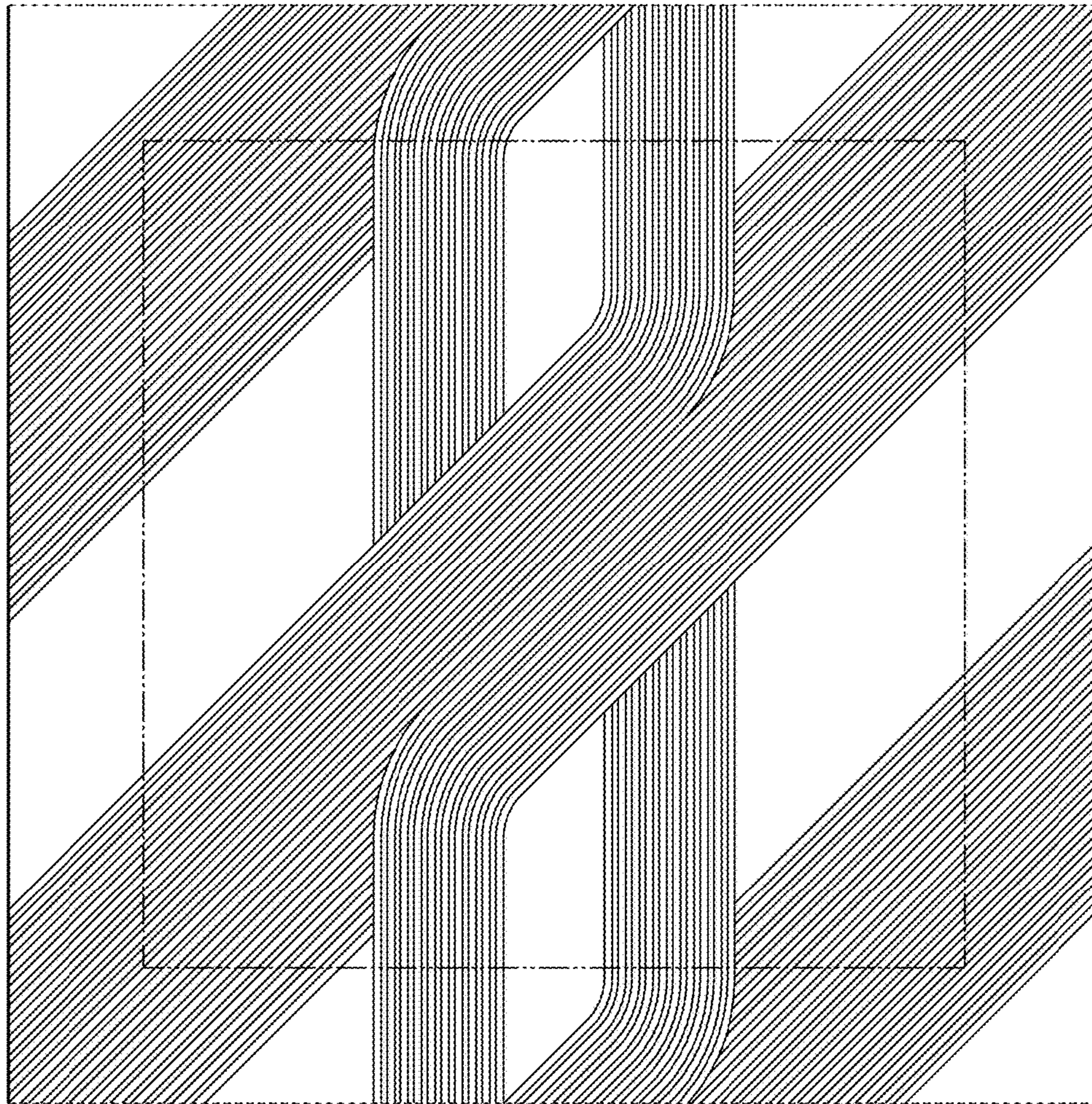


Fig. 1

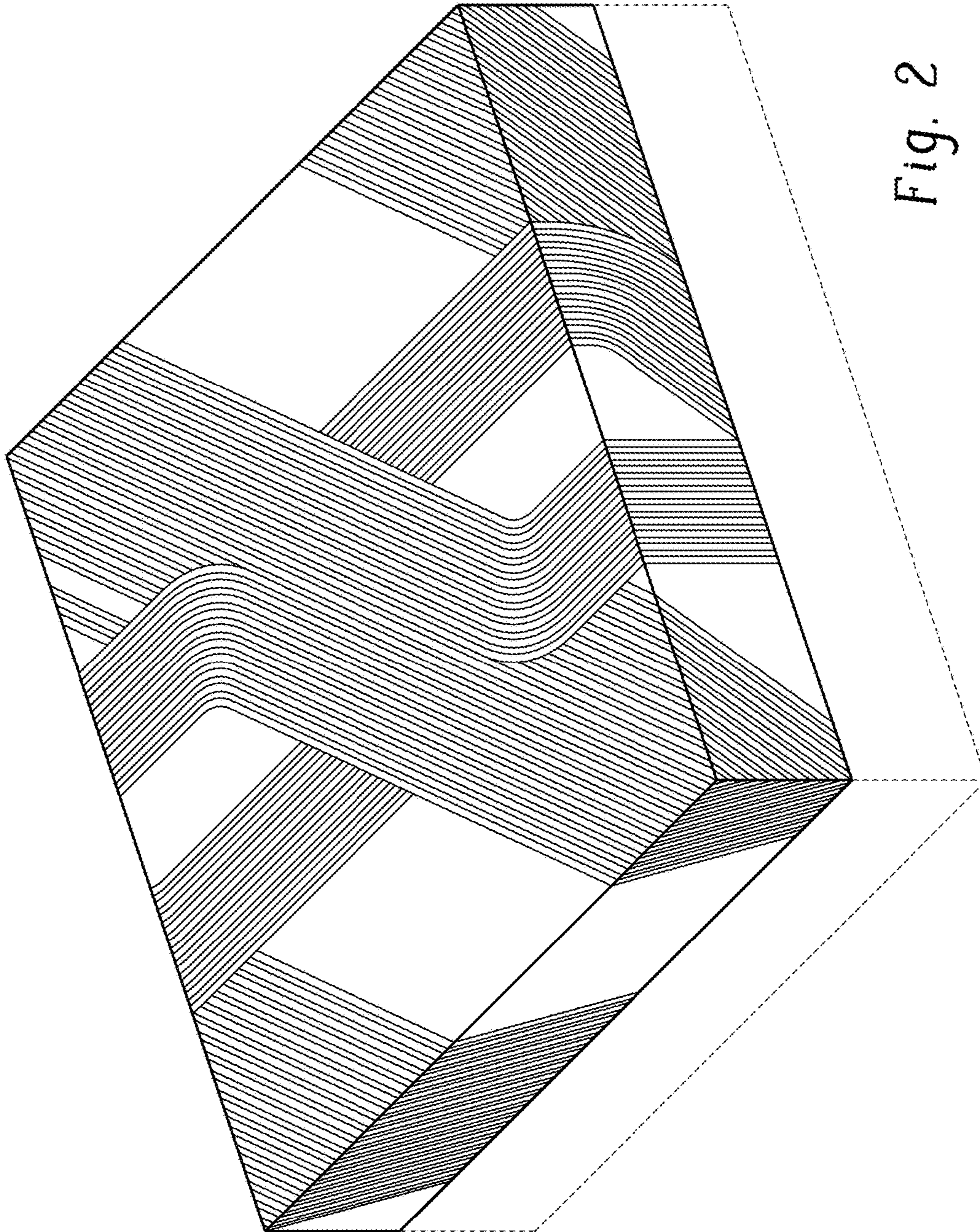


Fig. 2

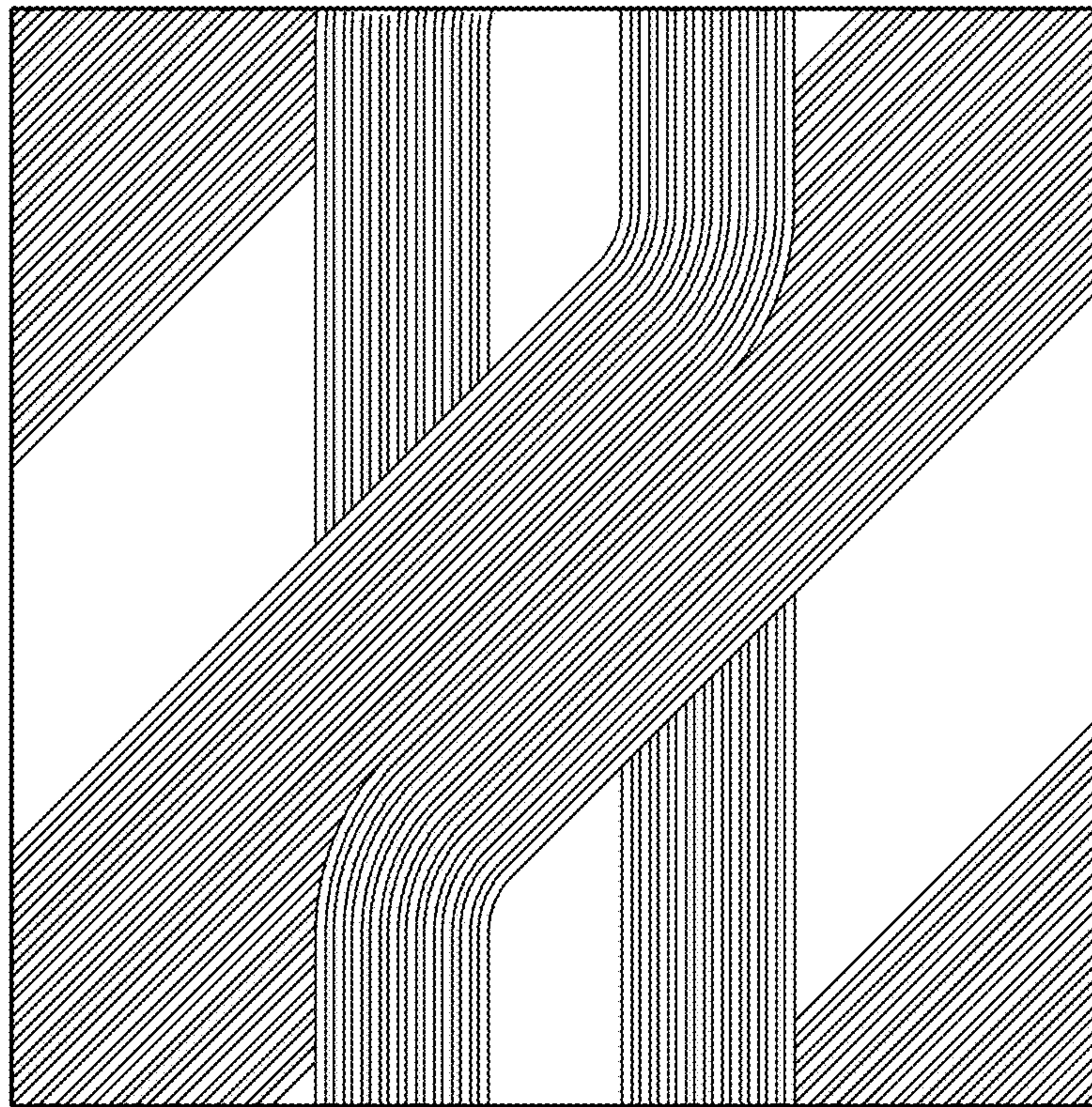


Fig. 3

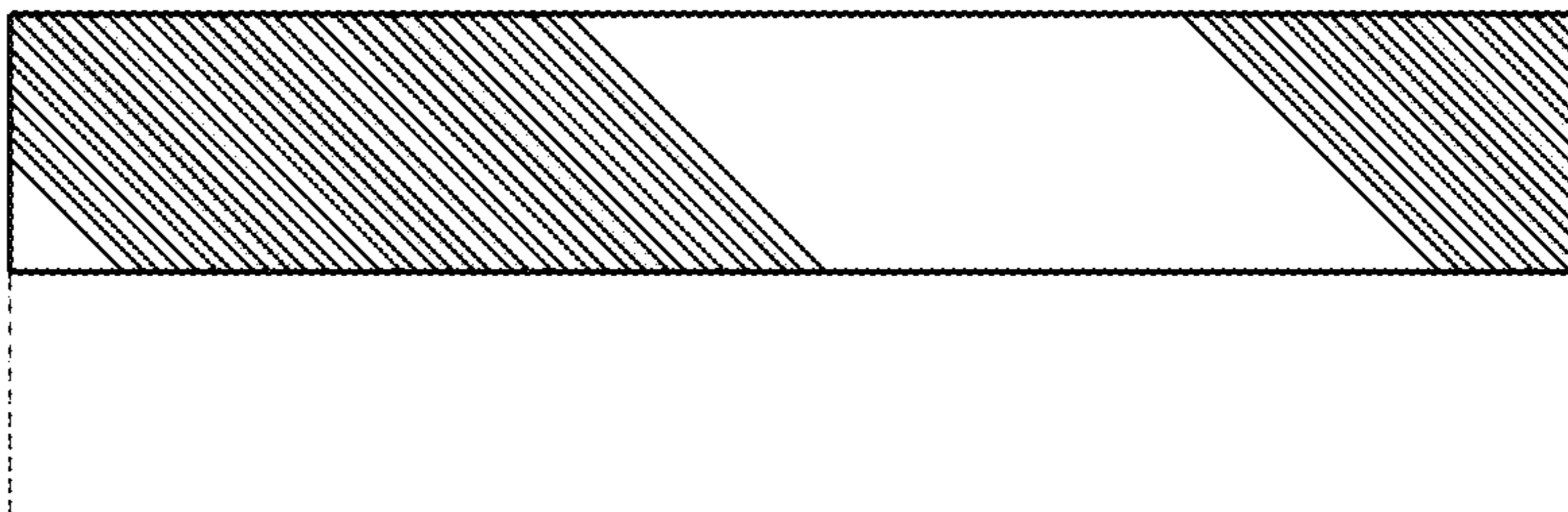


Fig. 4

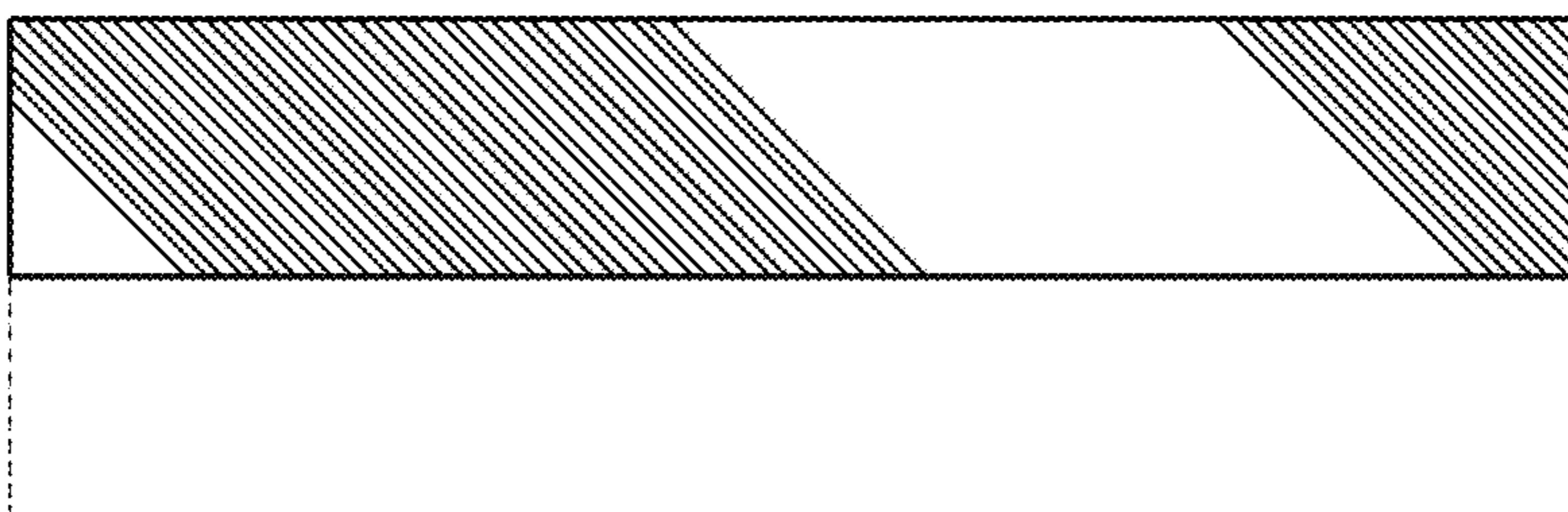


Fig. 5

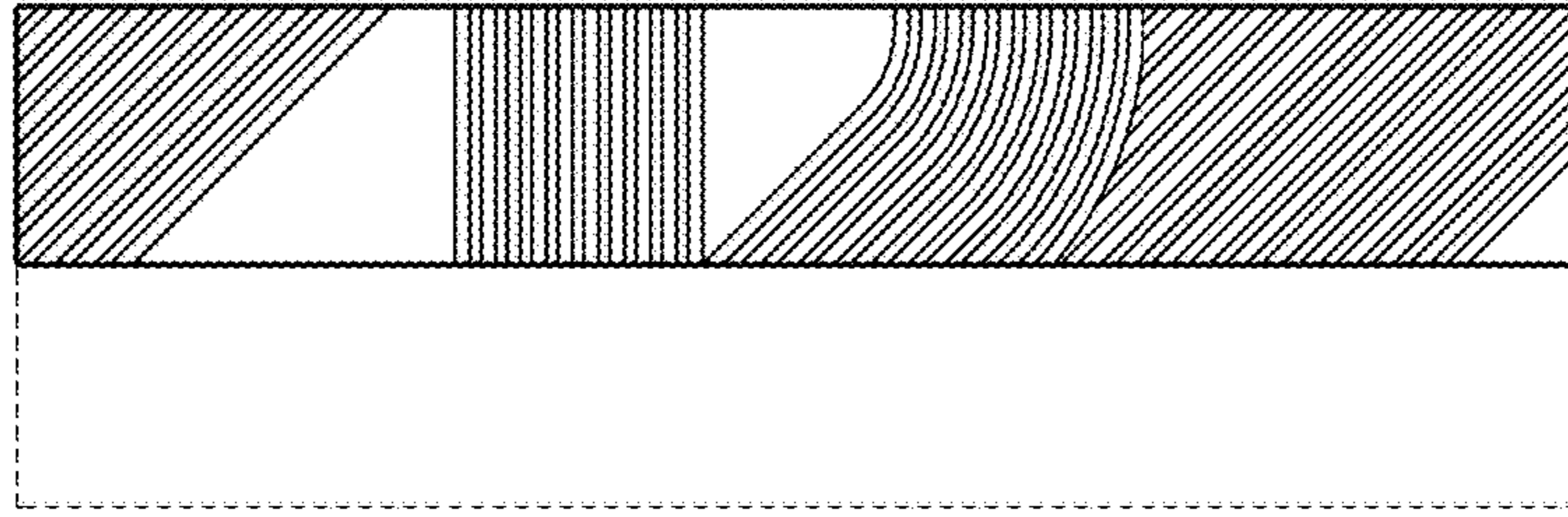


Fig. 6

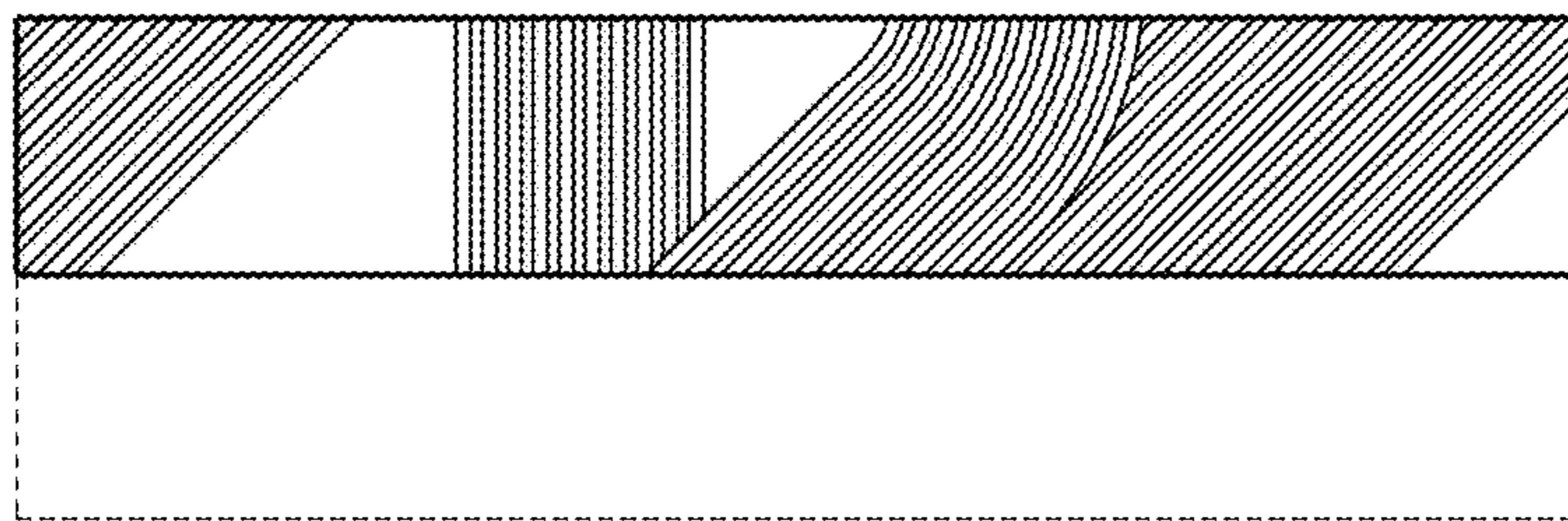


Fig. 7

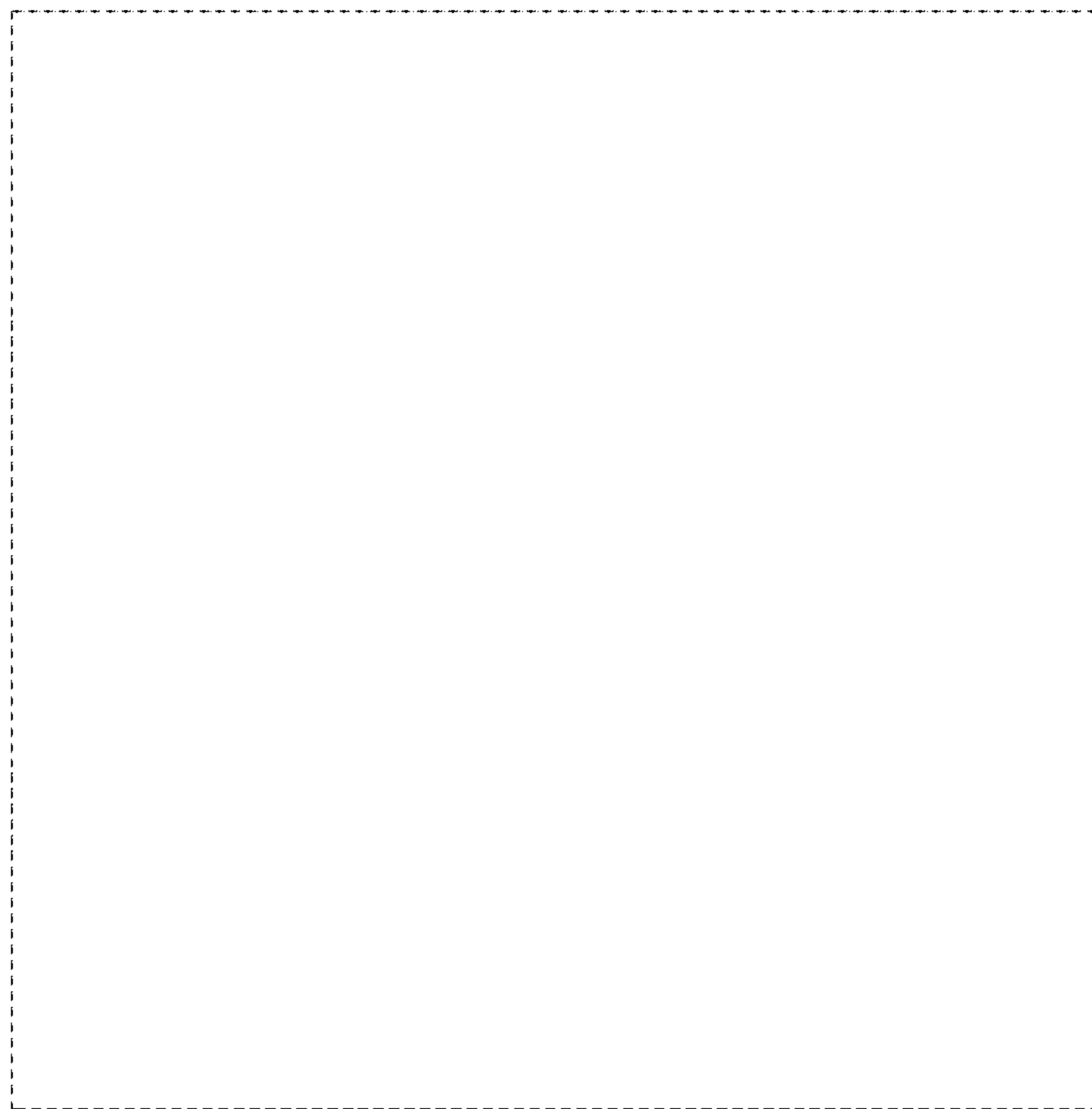


Fig. 8