



US00D867021S

(12) **United States Design Patent**  
**Yang**

(10) **Patent No.:** **US D867,021 S**

(45) **Date of Patent:** **\*\* Nov. 19, 2019**

(54) **PILLOW**

(71) Applicant: **Jingang Yang**, Sichuan (CN)

(72) Inventor: **Jingang Yang**, Sichuan (CN)

(\*\*) Term: **15 Years**

(21) Appl. No.: **29/643,529**

(22) Filed: **Apr. 10, 2018**

(30) **Foreign Application Priority Data**

Mar. 8, 2018 (CN) ..... 2018 3 0085901

(51) **LOC (12) Cl.** ..... **06-09**

(52) **U.S. Cl.**  
USPC ..... **D6/601**

(58) **Field of Classification Search**  
USPC ..... D6/333, 349, 355, 375, 388, 512, 563,  
D6/564, 595, 596, 601, 602, 603, 604,  
D6/605, 606, 607, 608, 707, 715, 716,  
D6/716.1; 5/636, 490, 491, 495;  
D24/183-184

CPC ..... A47C 17/00; A47C 17/021; A47C 17/13;  
A47C 17/132; A47C 17/136; A47C  
17/1655; A47C 17/207; A47G 9/10;  
A47G 9/1027; A47G 9/1081; A47G  
9/1036; A47G 9/1063; A47G 2009/1018

See application file for complete search history.

(56) **References Cited**

**U.S. PATENT DOCUMENTS**

D241,700 S \* 10/1976 Wattie ..... D6/601  
4,550,458 A \* 11/1985 Fiore ..... A47C 7/383  
297/393  
D318,203 S \* 7/1991 Zaghini ..... 5/636  
D363,403 S \* 10/1995 Dixon ..... 5/636  
5,457,832 A \* 10/1995 Tatum ..... A61F 5/01  
5/636  
5,718,010 A \* 2/1998 Beier ..... A47G 9/10  
40/638

D465,686 S \* 11/2002 Hwong ..... D6/601  
D474,364 S \* 5/2003 Arcieri ..... D6/601  
6,622,325 B1 \* 9/2003 Garza ..... A47G 9/10  
5/636  
6,973,691 B1 \* 12/2005 Cordova ..... A47C 7/383  
248/118  
7,082,633 B1 \* 8/2006 Maarbjerg ..... A47G 9/10  
5/636  
D548,842 S \* 8/2007 Elnekaveh ..... D24/188  
D595,526 S \* 7/2009 Mills ..... D6/601  
D595,529 S \* 7/2009 Deetsch ..... D6/601  
D595,530 S \* 7/2009 Deetsch ..... D24/183  
D595,531 S \* 7/2009 Deetsch ..... D24/183  
D634,960 S \* 3/2011 Anson ..... D6/601  
D652,240 S \* 1/2012 Colman ..... D6/601

(Continued)

**OTHER PUBLICATIONS**

Cervical Pillow, earliest photo review Apr. 16, 2019, [online], [site visited Jul. 16, 2019]. Available from Internet, URL:https://www.amazon.com/Coisum-Orthopedic-Ergonomic-Hypoallergenic-Pillowcase/dp/B07FT8JS93/ref=pd\_lpo\_sbs\_201\_img\_1?encoding=UTF8&psc=1&refRID=B5BR7P2YPEBSP7761ABY#customerReviews (Year: 2019).\*

*Primary Examiner* — Michelle E. Wilson

*Assistant Examiner* — Sanjeev Paul

(57) **CLAIM**

The ornamental design for a pillow, as shown and described.

**DESCRIPTION**

FIG. 1 is a front elevation view of a pillow showing my new design;

FIG. 2 is a rear elevation view thereof;

FIG. 3 is a left side view in an enlarge scale thereof;

FIG. 4 is a right side view in an enlarge scale thereof;

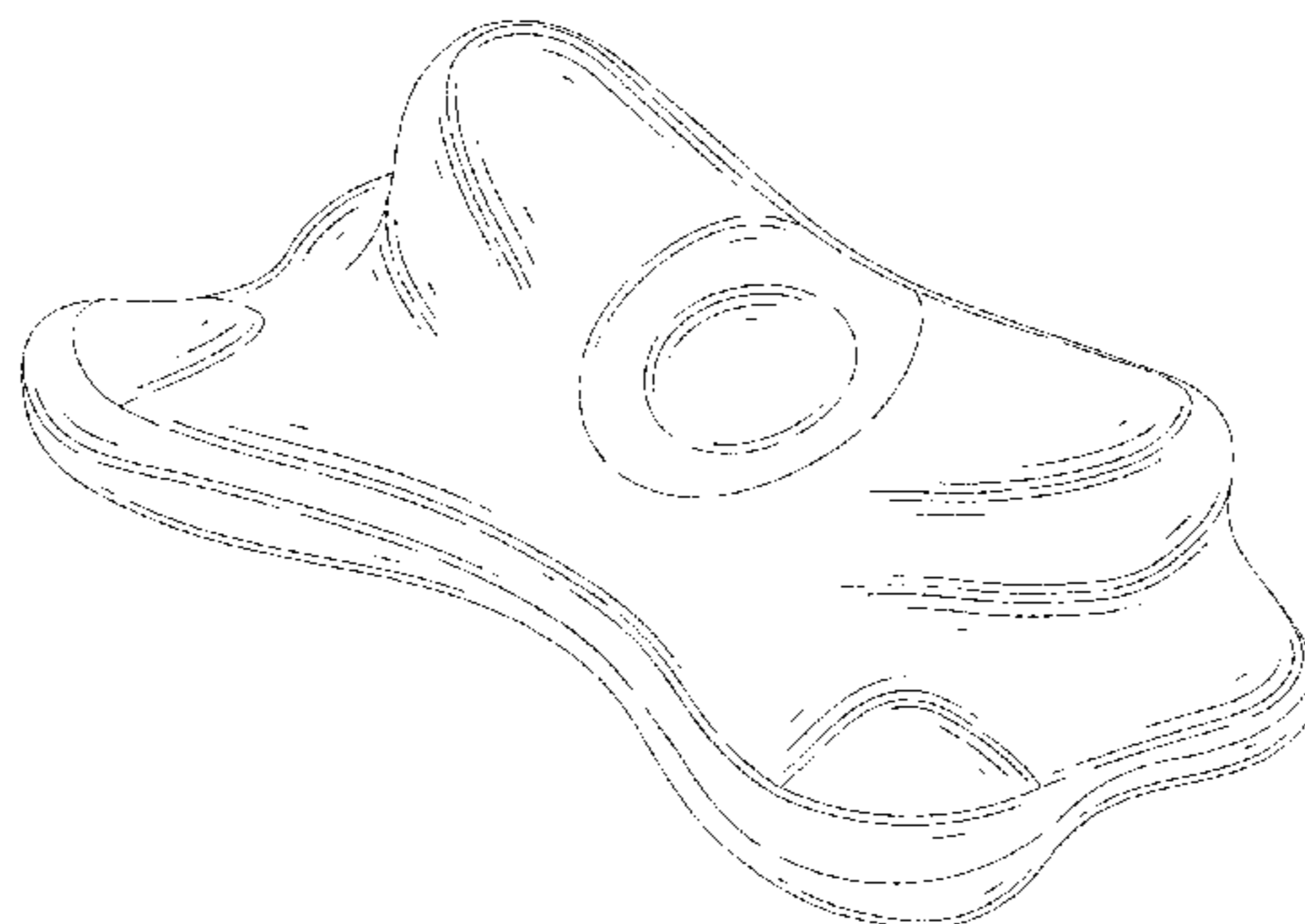
FIG. 5 is a top plan view thereof;

FIG. 6 is a bottom plan view thereof;

FIG. 7 is a perspective view thereof; and,

FIG. 8 is another perspective view thereof.

**1 Claim, 8 Drawing Sheets**



(56)

References Cited

U.S. PATENT DOCUMENTS

D657,468 S *	4/2012	Held	.....	D24/184					
8,161,588 B1 *	4/2012	Anson	.....	A47G 9/109					
				5/630					
D668,092 S *	10/2012	Davis	.....	D6/601					
8,584,285 B1 *	11/2013	Sipherd	.....	A47C 7/383					
				5/636					
8,910,330 B1 *	12/2014	Malik	.....	A47G 9/109					
				5/636					
9,009,897 B2 *	4/2015	Davis	.....	A61G 7/072					
				5/636					
D737,075 S *	8/2015	Albrecht	.....	D6/601					
D759,991 S *	6/2016	Jing	.....	D6/601					
D805,323 S *	12/2017	Chan	.....	D6/601					
D808,194 S *	1/2018	Wyborn	.....	D6/601					
D818,289 S *	5/2018	Facco	.....	D6/601					
D828,054 S *	9/2018	Chen	.....	D6/601					
D828,702 S *	9/2018	Chen	.....	D6/601					
D829,470 S *	10/2018	Huang	.....	D6/601					
D830,753 S *	10/2018	Waterhouse	.....	D6/716.1					
D837,570 S *	1/2019	Barcohana	.....	D6/601					
D839,026 S *	1/2019	Huang	.....	D6/601					
					D848,180 S *	5/2019	Huang	.....	D6/601
					D848,763 S *	5/2019	Potter	.....	D6/601
					D851,424 S *	6/2019	Santjer	.....	D6/601
					2004/0068799 A1 *	4/2004	Wilson	.....	A47G 9/10
									5/632
					2009/0139031 A1 *	6/2009	Davis	.....	A61G 7/072
									5/639
					2011/0131728 A1 *	6/2011	Rose	.....	A47G 9/109
									5/636
					2012/0180220 A1 *	7/2012	Popitz	.....	A47G 9/1081
									5/638
					2013/0098364 A1 *	4/2013	Davis	.....	A47G 9/1081
									128/206.21
					2013/0254998 A1 *	10/2013	Walker	.....	A47G 9/1081
									5/637
					2014/0026323 A1 *	1/2014	Bowers	.....	A47G 9/10
									5/636
					2015/0089743 A1 *	4/2015	Haworth	.....	A47G 9/109
									5/640
					2018/0042410 A1 *	2/2018	Garfield	.....	A47G 9/1081
					2018/0303259 A1 *	10/2018	Glatt	.....	A47G 9/10
					2019/0069698 A1 *	3/2019	Lin	.....	A47G 9/1081

\* cited by examiner

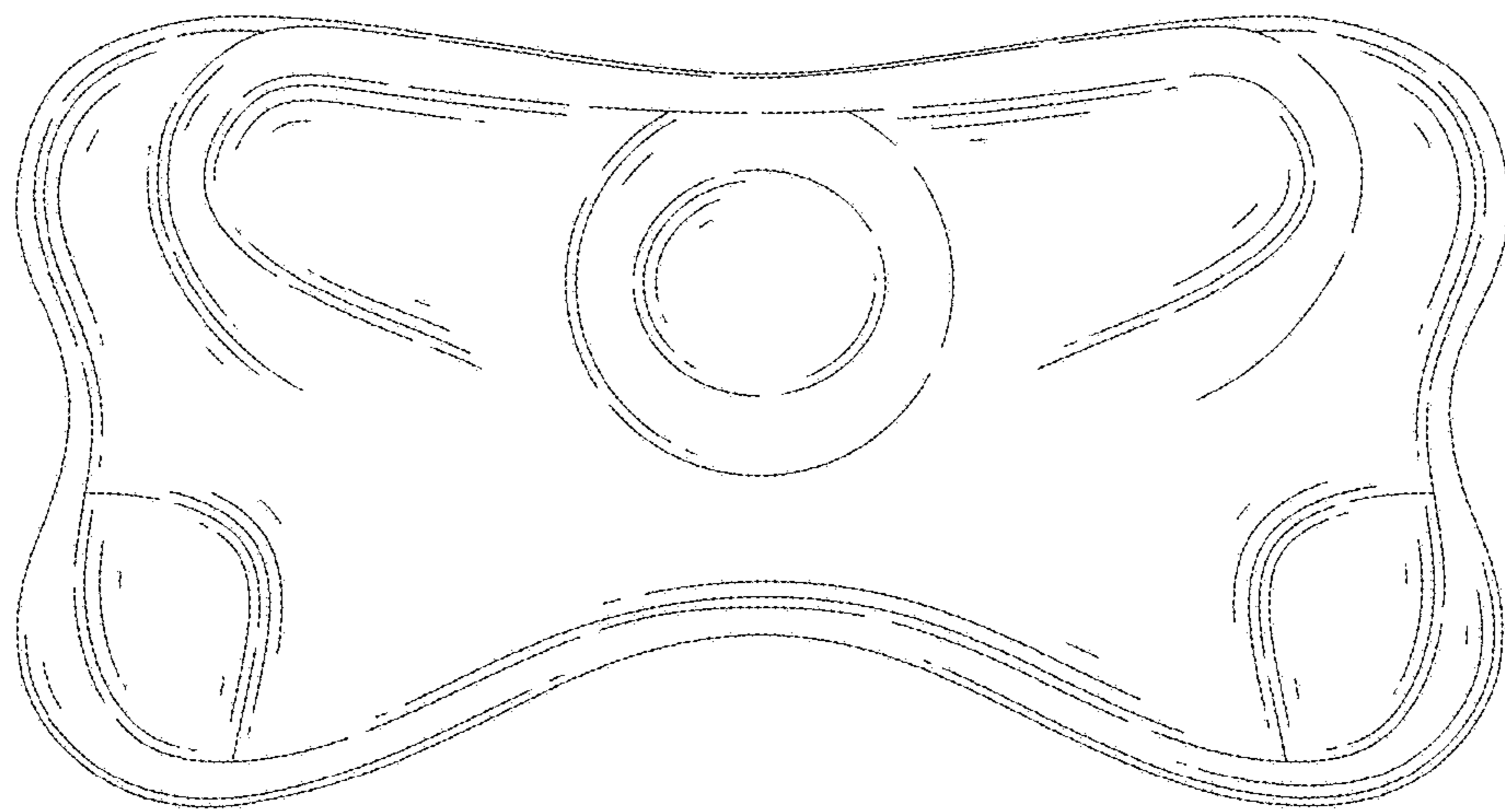


FIG. 1

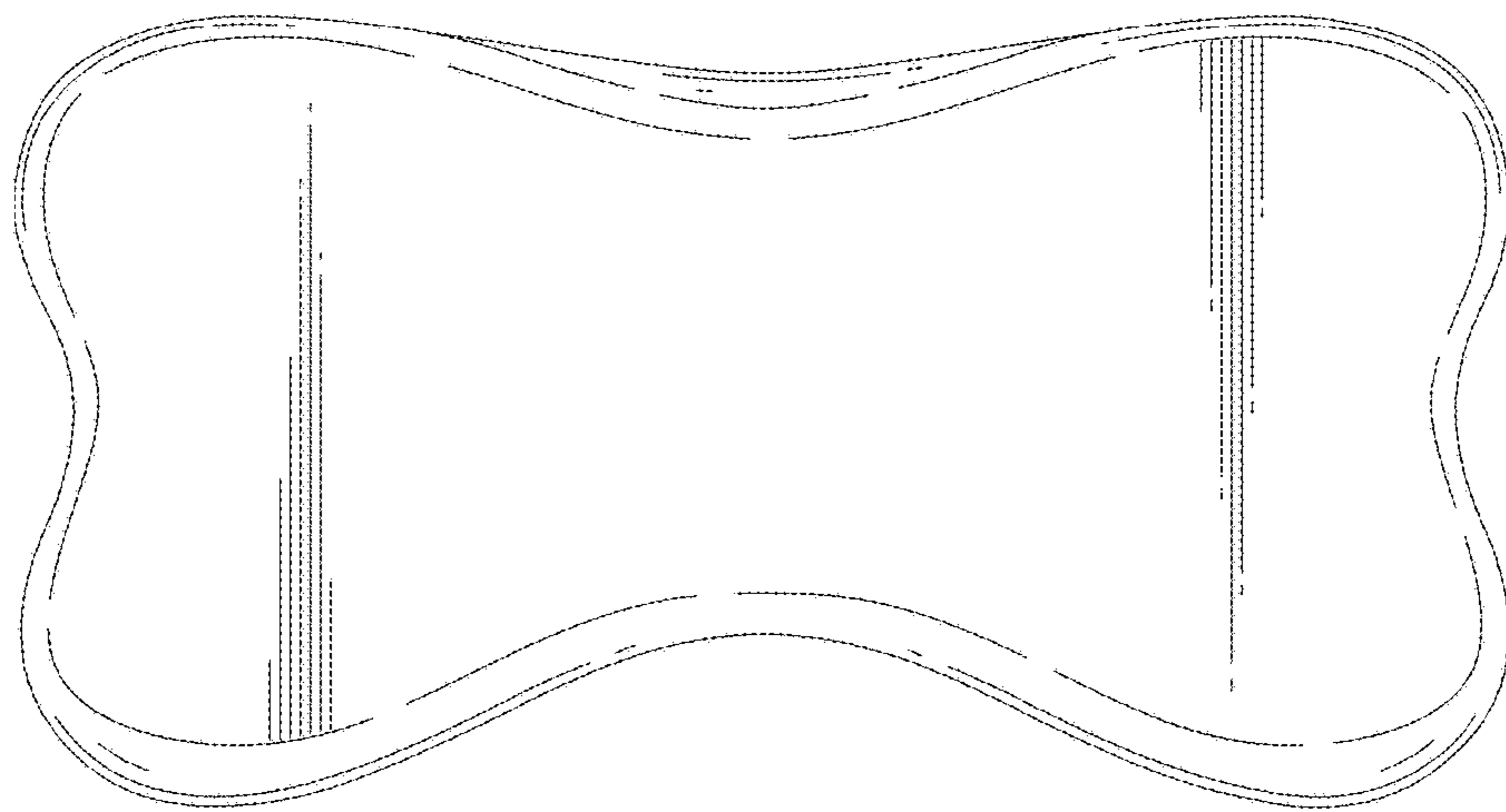


FIG. 2

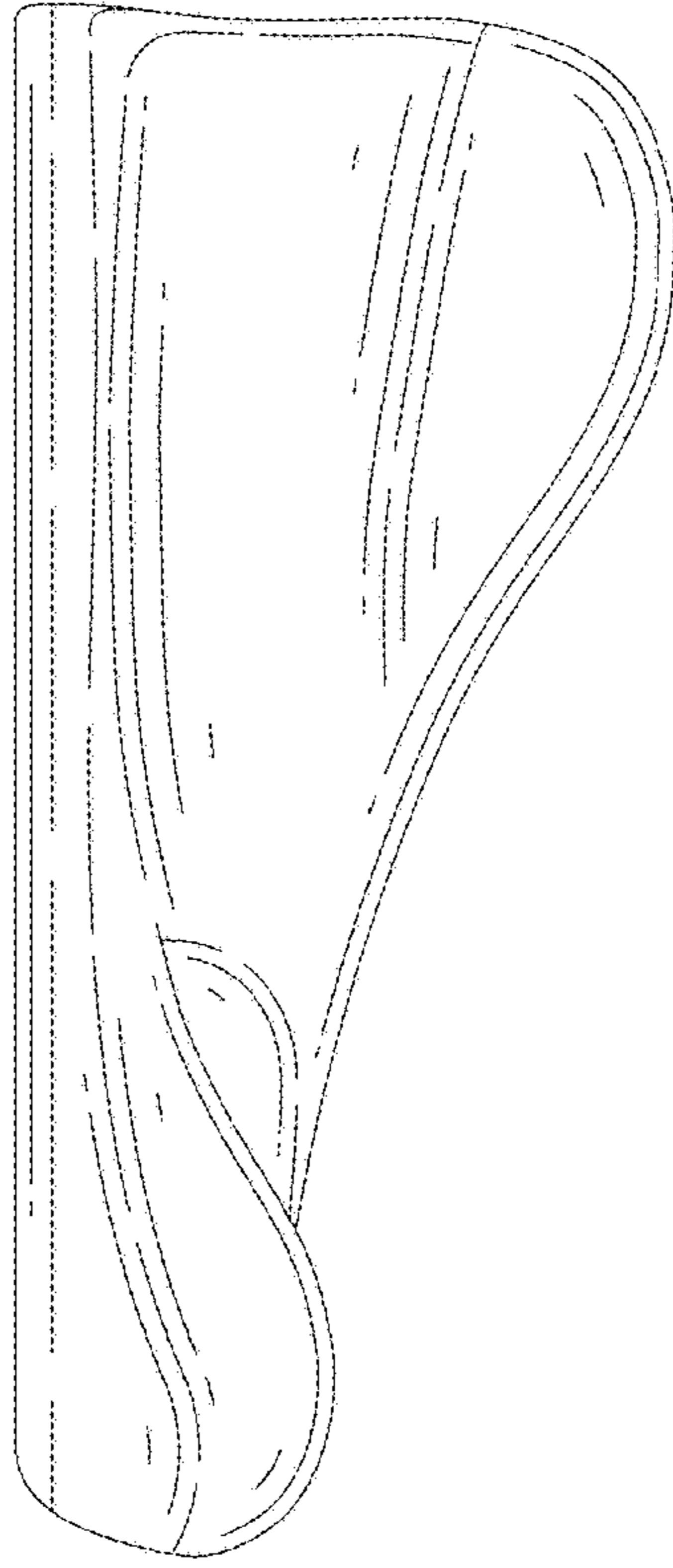


FIG. 3

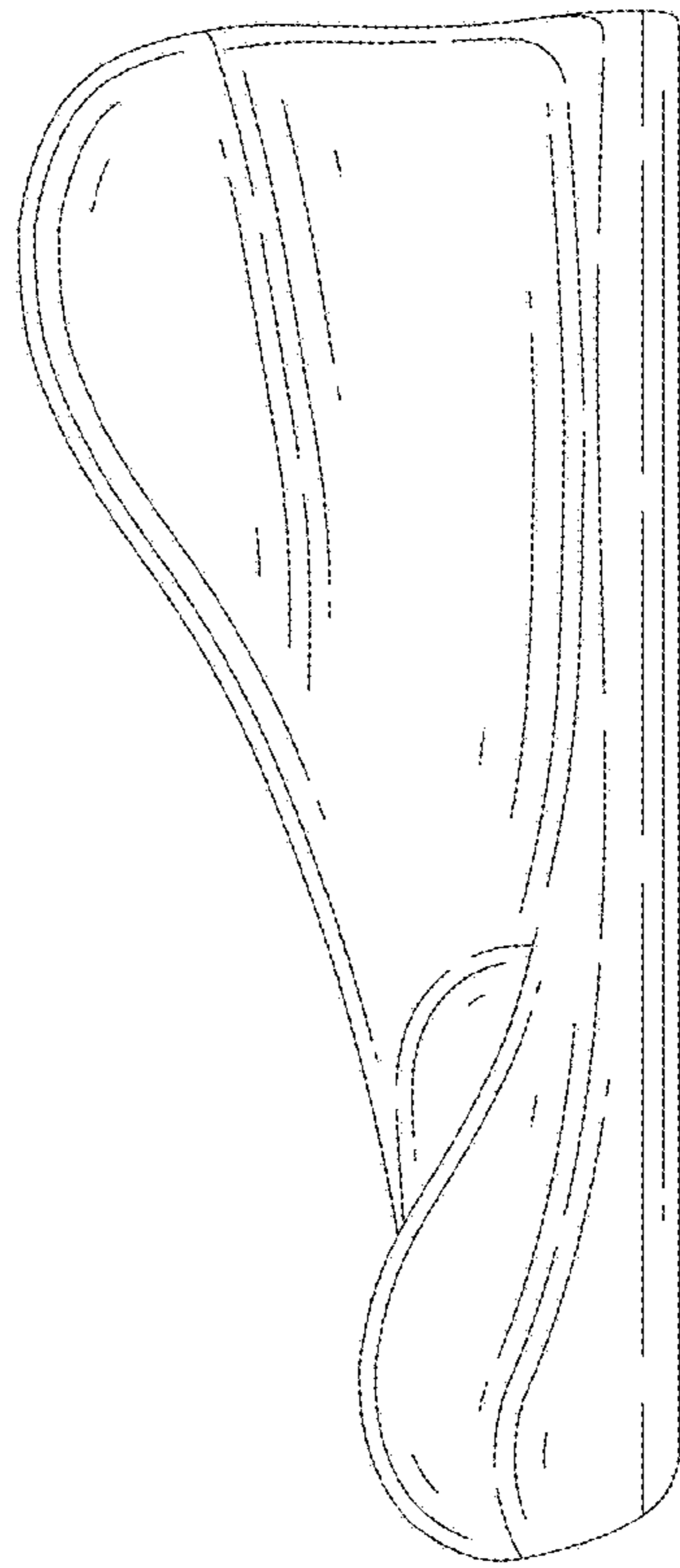


FIG. 4

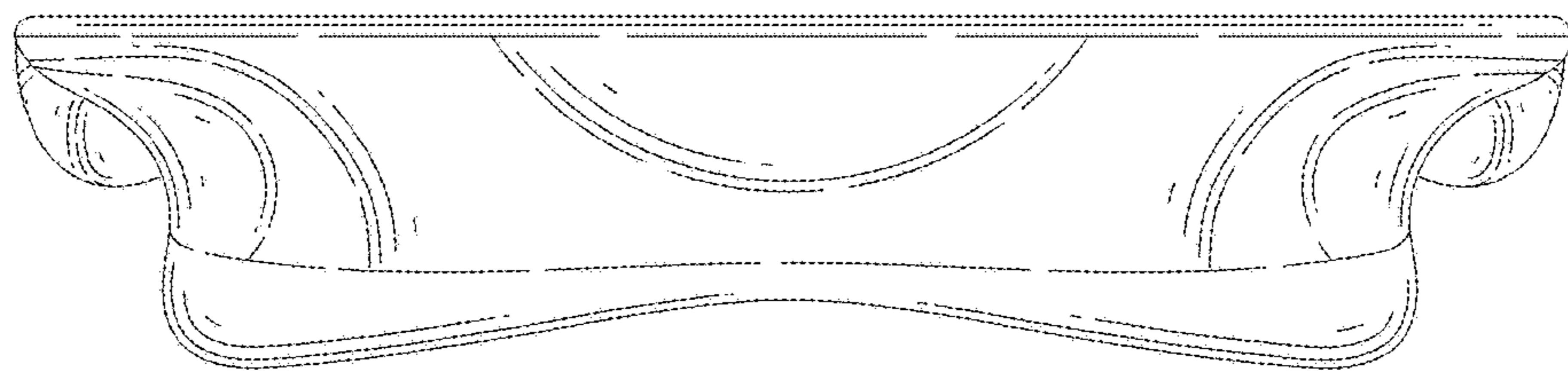


FIG. 5

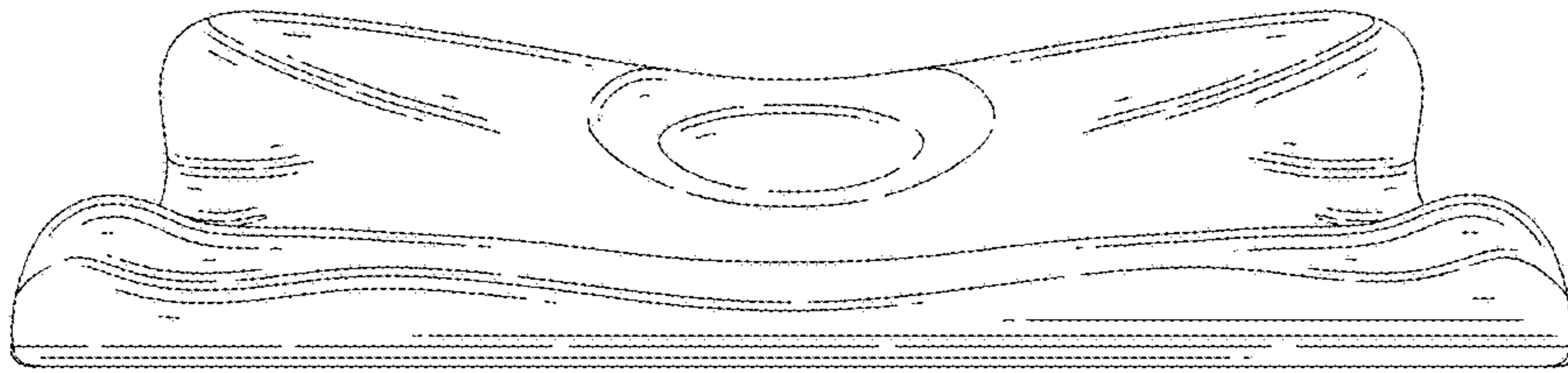


FIG. 6



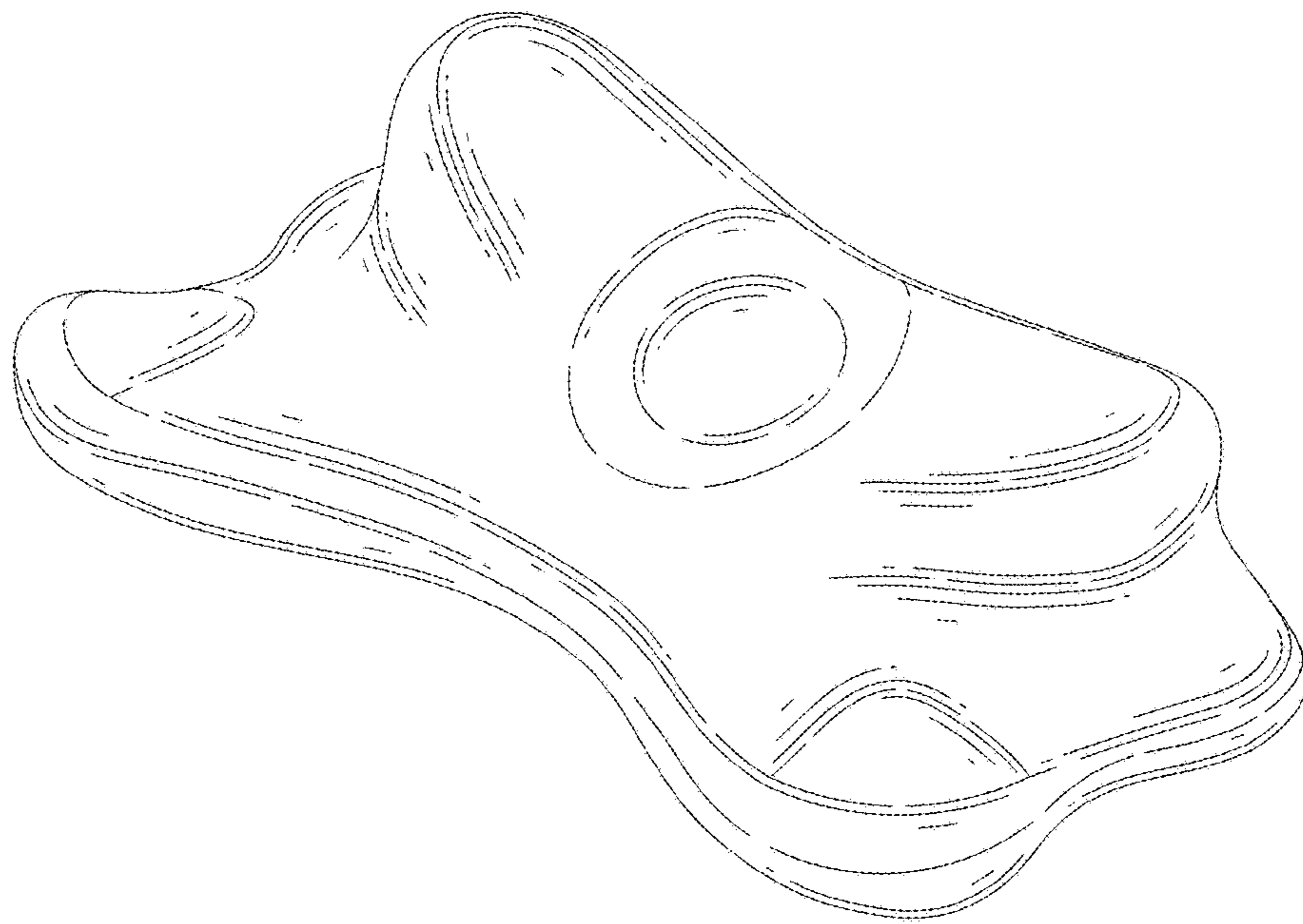


FIG. 7

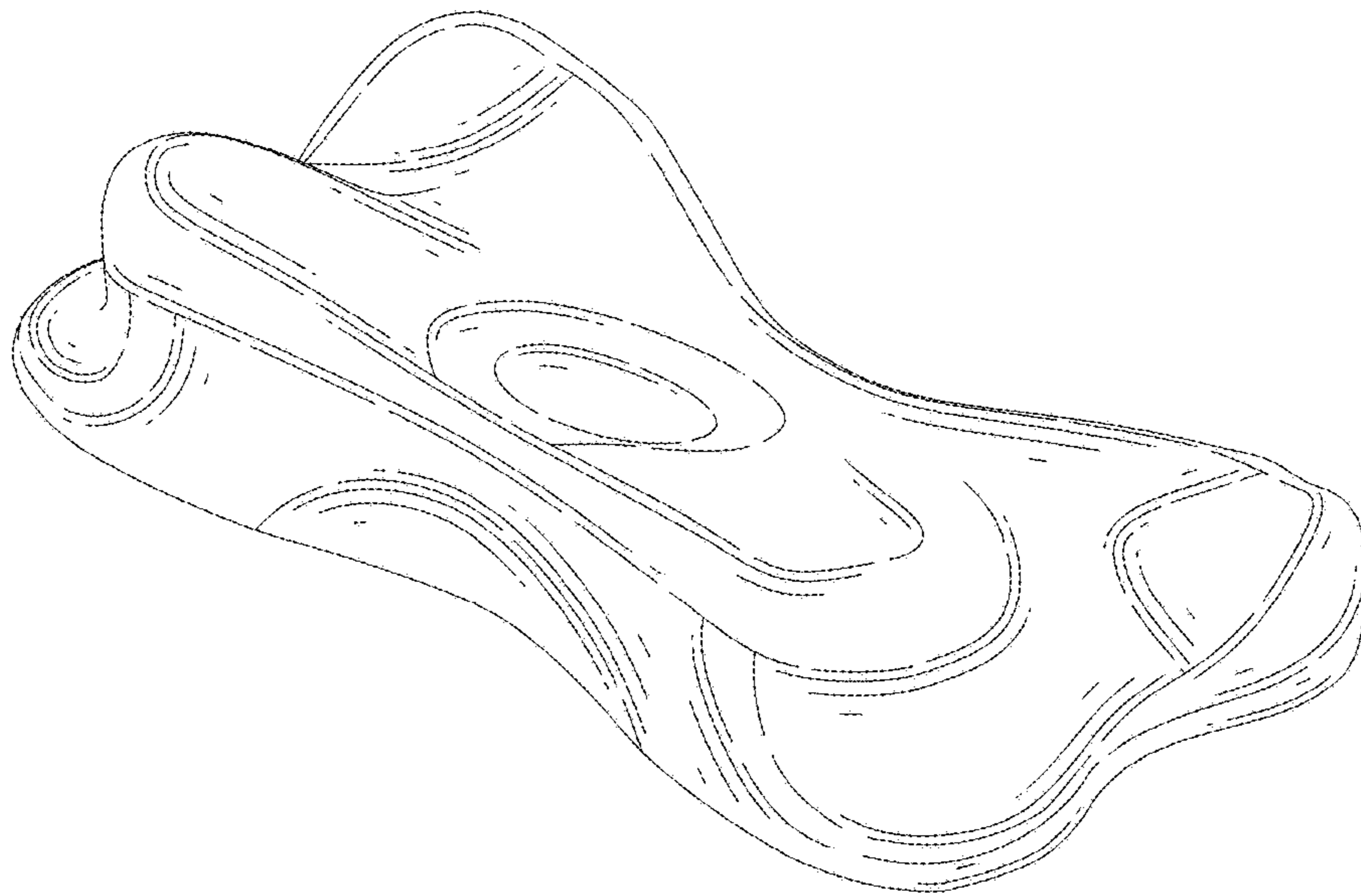


FIG. 8