



US00D867019S

(12) **United States Design Patent**
Jenkins

(10) **Patent No.:** **US D867,019 S**
(45) **Date of Patent:** **** Nov. 19, 2019**

- (54) **FOLDABLE ACTIVITY MAT**
- (71) Applicant: **Katherine Messervy Jenkins**, Denver, NC (US)
- (72) Inventor: **Katherine Messervy Jenkins**, Denver, NC (US)
- (**) Term: **15 Years**
- (21) Appl. No.: **29/559,038**
- (22) Filed: **Mar. 24, 2016**

Related U.S. Application Data

- (63) Continuation of application No. 14/565,910, filed on Dec. 10, 2014, now abandoned.
- (51) **LOC (12) Cl.** **06-09**
- (52) **U.S. Cl.**
USPC **D6/596**
- (58) **Field of Classification Search**
USPC D6/349, 355, 375, 512, 595, 596, 601, D6/611, 604, 715, 716, 716.1; D21/803, D21/804, 805, 809; D24/183-185, 234; D30/118
CPC A47G 9/10; A47G 9/1009; A47G 9/1018; A47G 9/1027; A47G 9/1036; A47G 9/1045; A47G 9/1063; A47G 9/1072; A47G 9/1081; A47G 9/109
See application file for complete search history.

(56) **References Cited**

U.S. PATENT DOCUMENTS

- 2,315,123 A 3/1943 Lohse
- 3,073,367 A 1/1963 Samara
- 4,375,111 A * 3/1983 Hall A47G 9/062 190/2
- 4,868,940 A * 9/1989 Masadi A47C 27/001 5/417
- 4,886,150 A * 12/1989 Fitzsimmons A45C 9/00 190/1

- 5,048,975 A * 9/1991 Holbrook A45F 4/02 190/2
 - 5,136,738 A * 8/1992 Denson A45F 4/02 190/2
 - 5,370,460 A * 12/1994 Nelson A45F 4/02 383/4
 - 5,490,230 A 2/1996 Gerson et al.
 - D376,287 S * 12/1996 Bennett D6/595
 - 6,212,711 B1 4/2001 Gilmour
 - 6,276,828 B1 * 8/2001 Otley A45C 9/00 224/576
 - D508,181 S * 8/2005 Welch D6/592
- (Continued)

Primary Examiner — Mary Ann Calabrese
Assistant Examiner — Jennifer L Rempfer
(74) *Attorney, Agent, or Firm* — Wiley Rein LLP

(57) **CLAIM**

The ornamental design for a foldable activity mat, as shown and described.

DESCRIPTION

FIG. 1 is a top, front, and right side perspective view of an unfolded configuration of a foldable activity map according to an embodiment of the novel design.

FIG. 2 is a top view of the foldable activity mat depicted in FIG. 10.

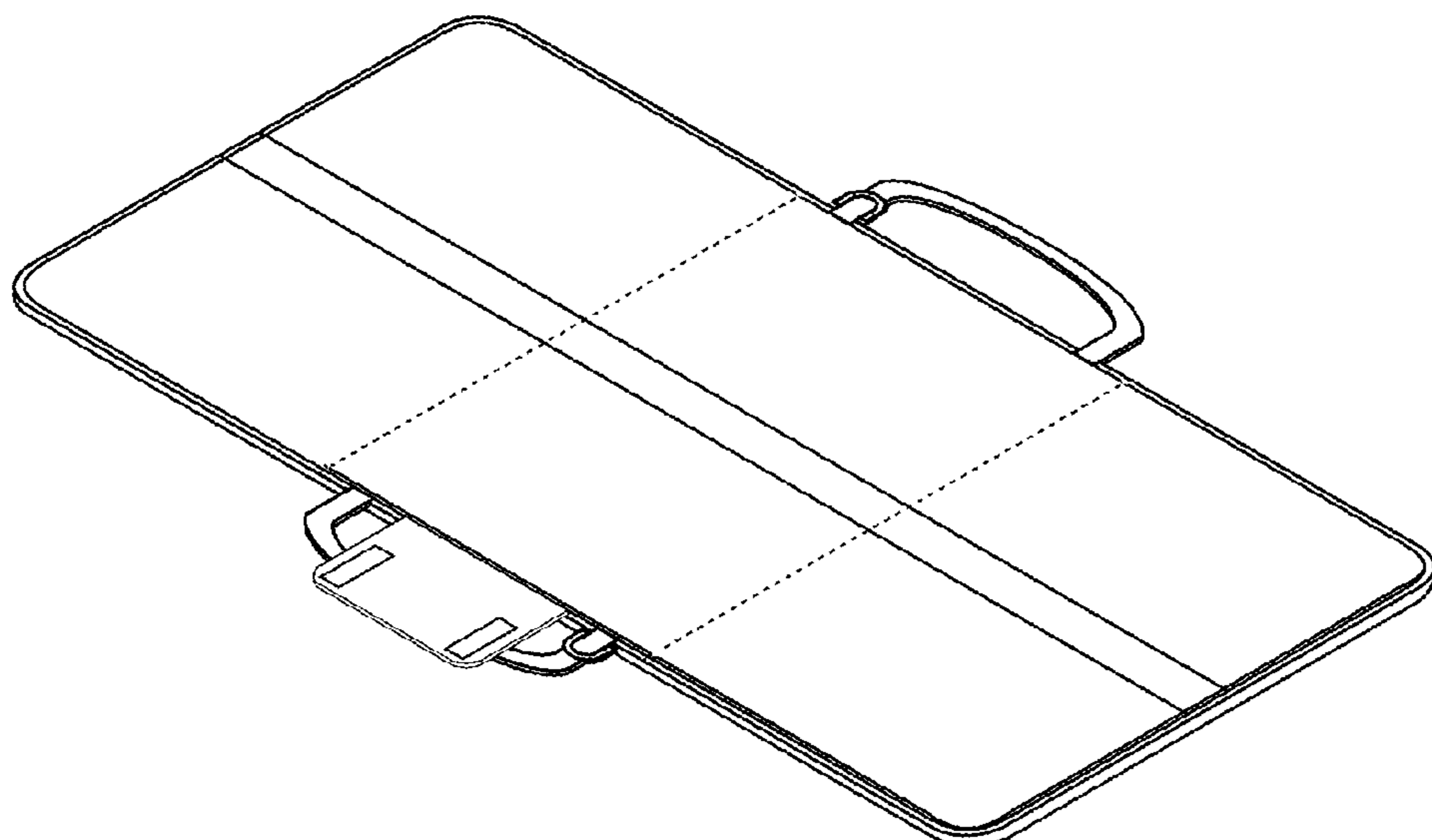
FIG. 3 is a top view of an unfolded configuration of a foldable activity mat according to another embodiment of the novel design.

FIG. 4 is a front end view of an unfolded configuration of the foldable activity mat depicted in FIGS. 1-3. The rear end view is identical; and,

FIG. 5 is a left side view of an unfolded configuration of the foldable activity mat depicted in FIGS. 1-3. The right side view is identical.

The dash-dash broken lines within the article of manufacture represent portions of the mat that form no part of the claimed design.

1 Claim, 4 Drawing Sheets



(56)

References Cited

U.S. PATENT DOCUMENTS

6,966,439	B2	11/2005	Weleccki	
D663,148	S *	7/2012	Freese	D6/596
D685,593	S *	7/2013	Boyer	D6/592
8,510,878	B2 *	8/2013	Wang	A47G 27/0237 5/417
D690,536	S *	10/2013	Young	D6/601
D728,269	S *	5/2015	Brown	D6/596
D774,801	S *	12/2016	Clark	D6/596
D807,665	S *	1/2018	Vega-Woller	D6/596
2006/0191074	A1	8/2006	Welch	
2007/0275827	A1	11/2007	Glaser	
2011/0143083	A1	6/2011	Scorgie	
2012/0233772	A1	9/2012	Wang	
2014/0101848	A1 *	4/2014	Murphy	A47G 9/08 5/420

* cited by examiner

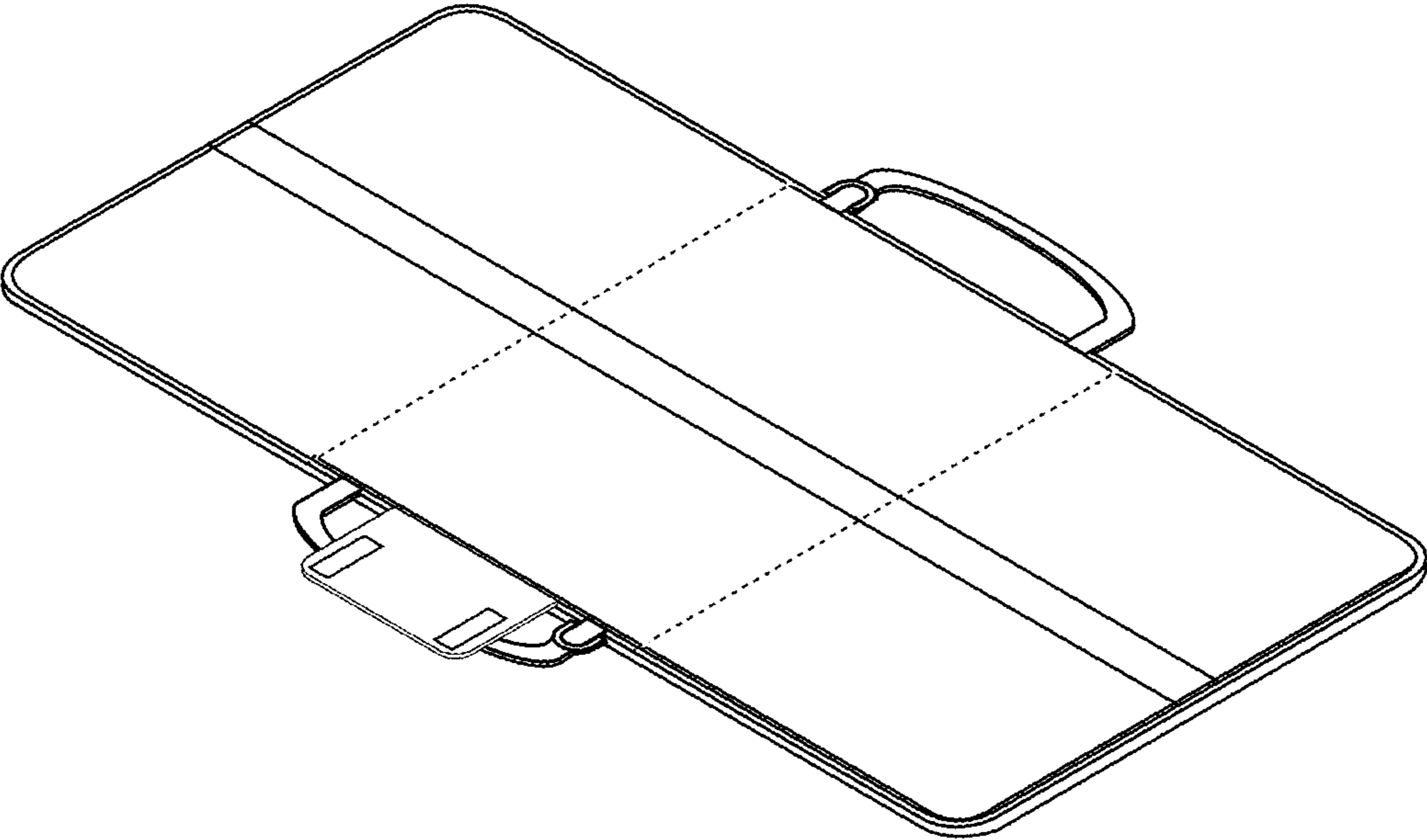


FIG.1

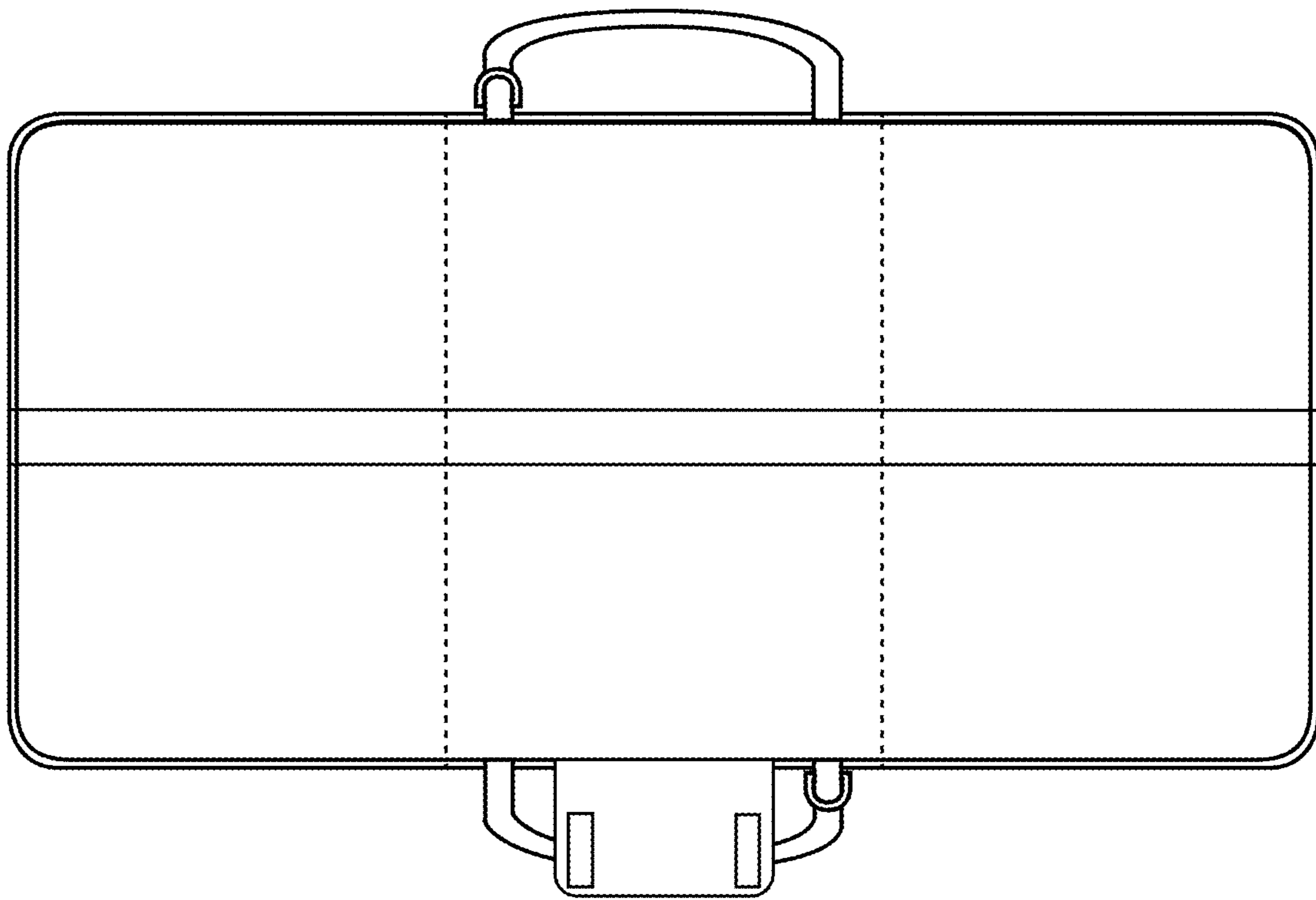


FIG.2

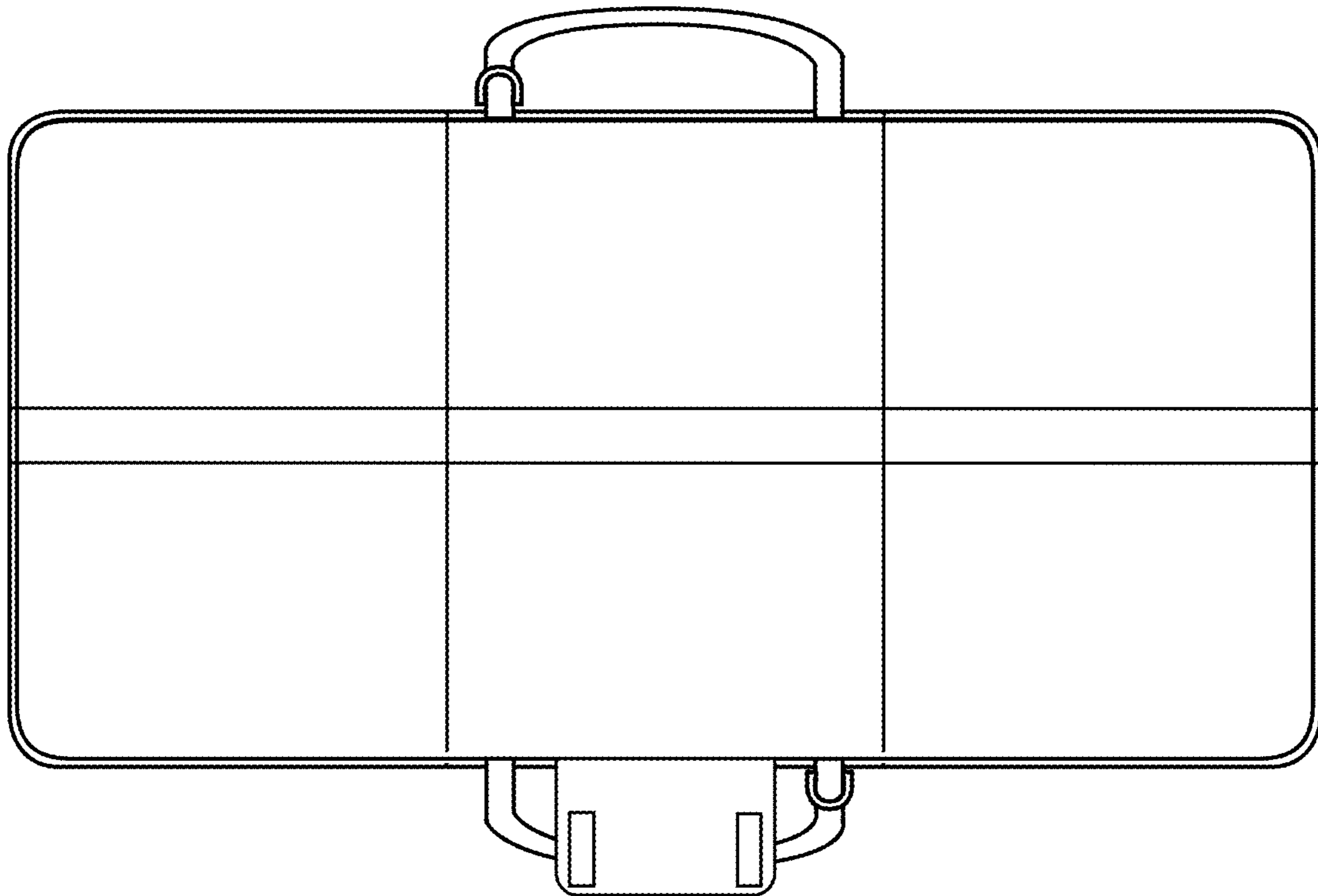


FIG.3



FIG. 4

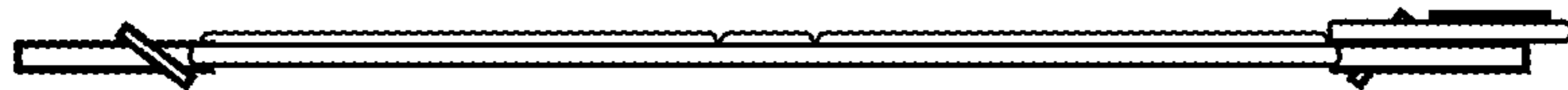


FIG. 5