



US00D867018S

(12) **United States Design Patent**
Bolos

(10) **Patent No.:** **US D867,018 S**

(45) **Date of Patent:** **** Nov. 19, 2019**

(54) **SHELF SYSTEM**

(71) Applicant: **Abvious, LLC**, Burr Ridge, IL (US)

(72) Inventor: **Michael F. Bolos**, Chicago, IL (US)

(73) Assignee: **Abvious, LLC**, Burr Ridge, IL (US)

(**) Term: **15 Years**

(21) Appl. No.: **29/639,849**

(22) Filed: **Mar. 9, 2018**

Related U.S. Application Data

(62) Division of application No. 29/558,364, filed on Mar. 17, 2016, now Pat. No. Des. 817,028.

(51) **LOC (12) Cl.** **06-04**

(52) **U.S. Cl.**
USPC **D6/574**

(58) **Field of Classification Search**
USPC D6/553, 574, 568, 567, 329, 396, 417,
D6/552, 705.1; 108/152; 211/13.1, 49.1,
211/60.1, 64, 70.5, 86.01, 87.01, 88.01,
211/89.01, 181.1; 248/121, 175, 200, 302
CPC A47K 3/281; A47K 3/001; A47K 5/04;
A47B 96/022; A47B 96/021; A47B
96/024; A47B 96/066; A47B 55/00
See application file for complete search history.

(56) **References Cited**

U.S. PATENT DOCUMENTS

5,096,272 A 3/1992 Belokin et al.
D458,072 S 6/2002 Hoernig
D493,316 S 7/2004 Hoernig

D508,646 S 8/2005 Gates
D509,088 S * 9/2005 Hoernig D6/574
D520,288 S * 5/2006 Grosfillex D6/574
D570,146 S * 6/2008 Bickler D6/574
D577,239 S * 9/2008 Krumpe D6/574
7,578,487 B2 8/2009 Kaneda et al.
8,393,113 B2 3/2013 Rex
2009/0045155 A1 2/2009 Howard
2015/0108134 A1 4/2015 Fangyuan
2017/0202281 A1 7/2017 Passaretti et al.

* cited by examiner

Primary Examiner — Wan Laymon

Assistant Examiner — Mark Booker

(74) *Attorney, Agent, or Firm* — Barich IP Law Group

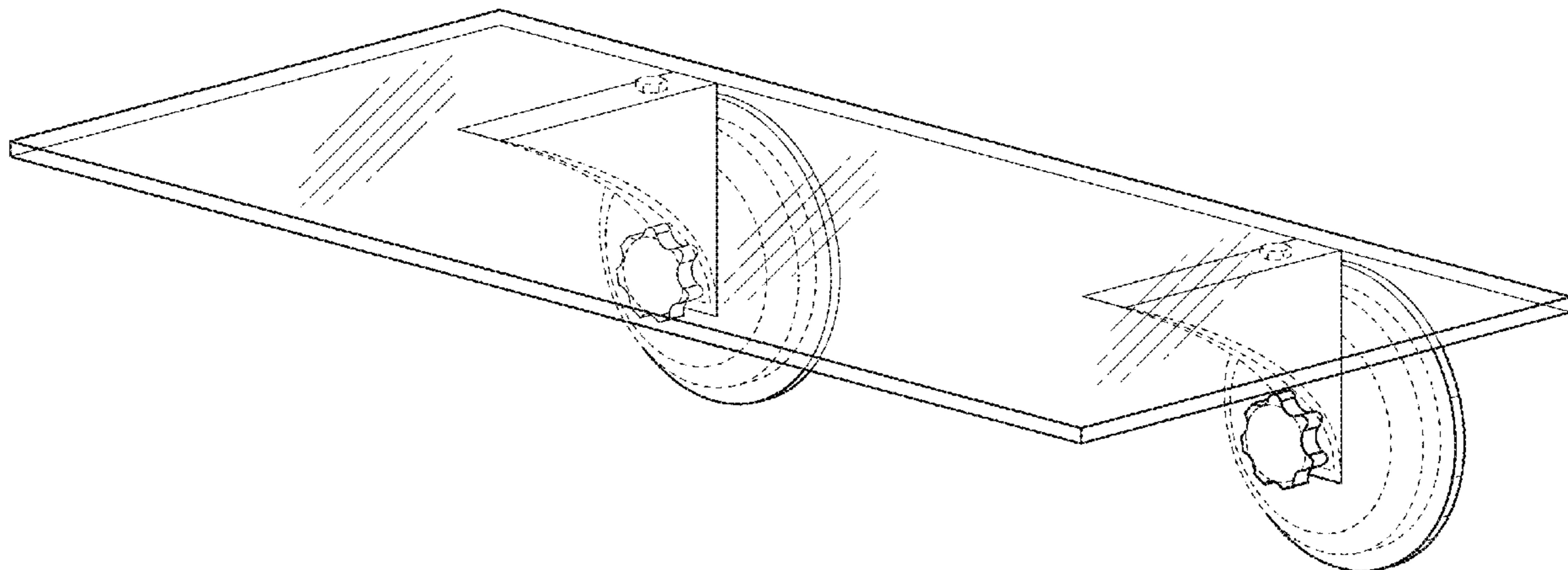
(57) **CLAIM**

The ornamental design for a shelf system, as shown and described.

DESCRIPTION

FIG. 1 is a perspective view of the shelf system having a knob-enabled suction structure;
FIG. 2 is a front view thereof;
FIG. 3 is a rear view thereof;
FIG. 4 is a top view thereof;
FIG. 5 is a bottom view thereof;
FIG. 6 is a left side view thereof; and,
FIG. 7 is a right side view thereof.
The broken lines showing in the figures are included for the purpose of illustrating portions of the shelf system and form no part of the claimed design. The broken lines showing immediately adjacent the shaded areas represent boundaries to the claimed design and form no part of the claimed design.

1 Claim, 5 Drawing Sheets



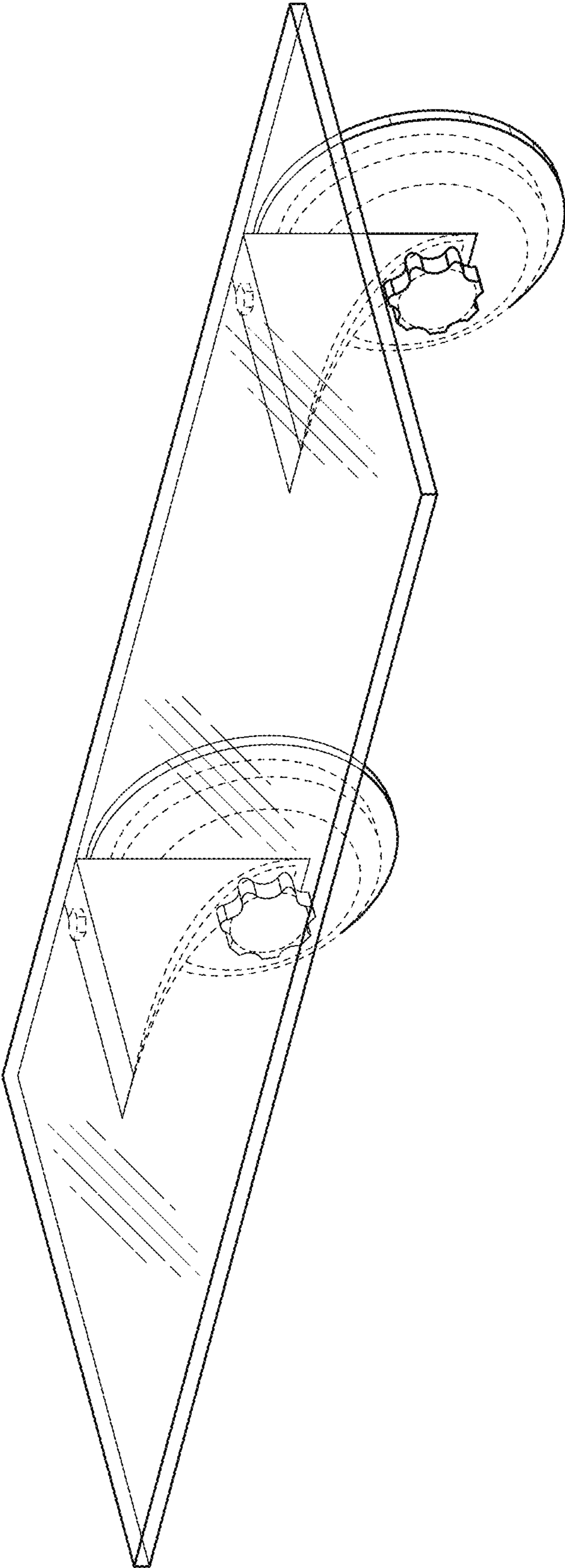


FIG. 1

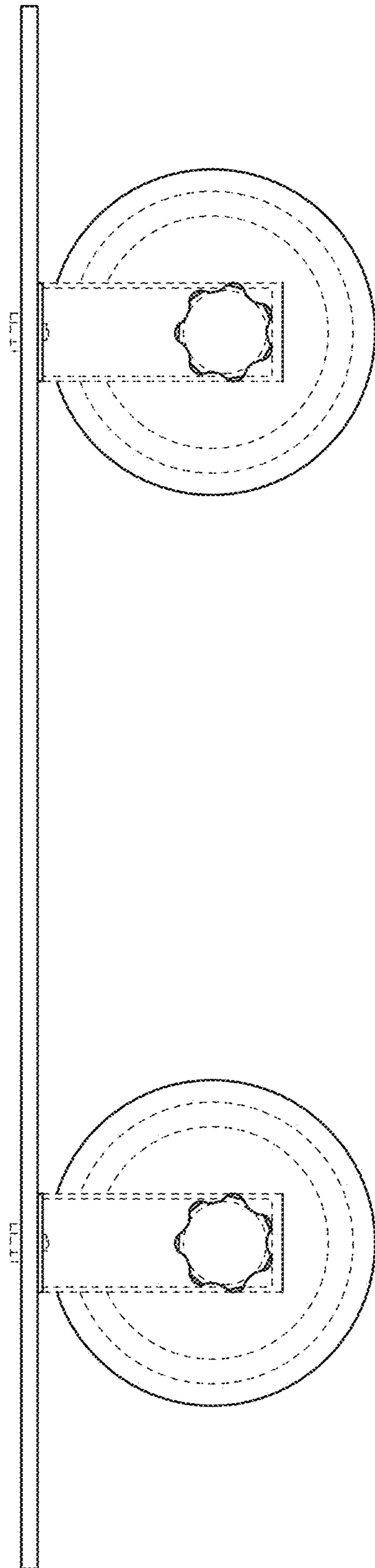


FIG. 2

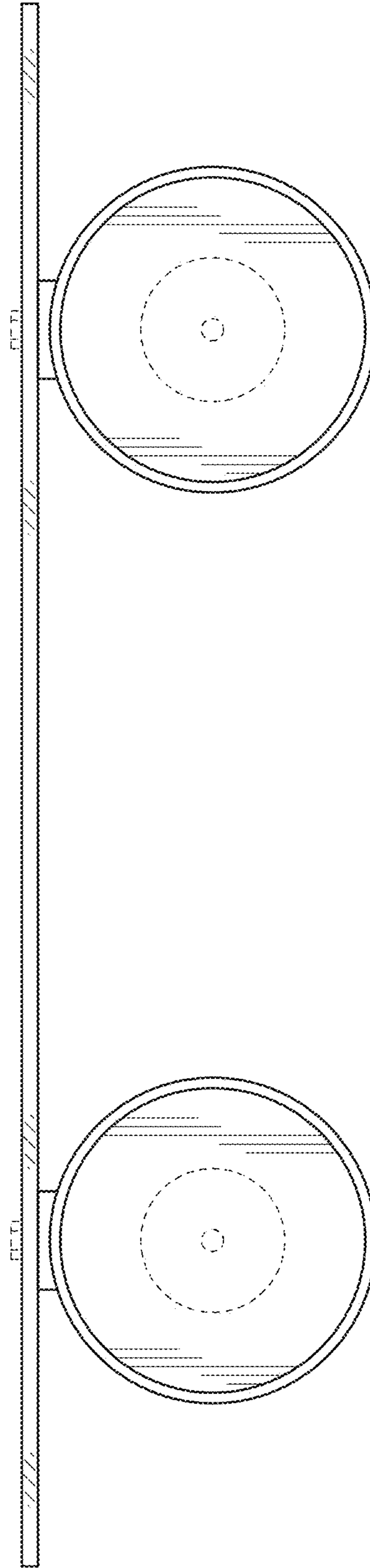


FIG. 3

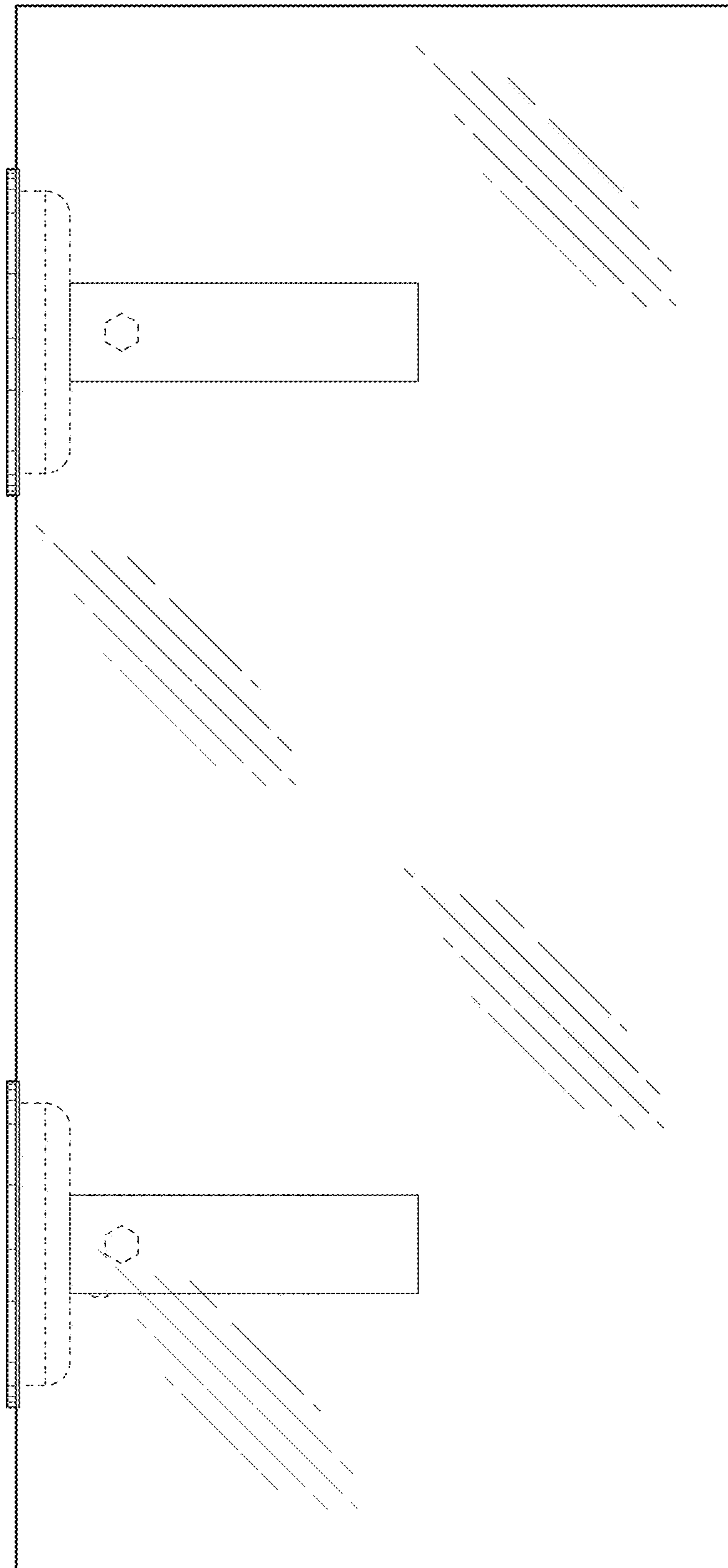


FIG. 4

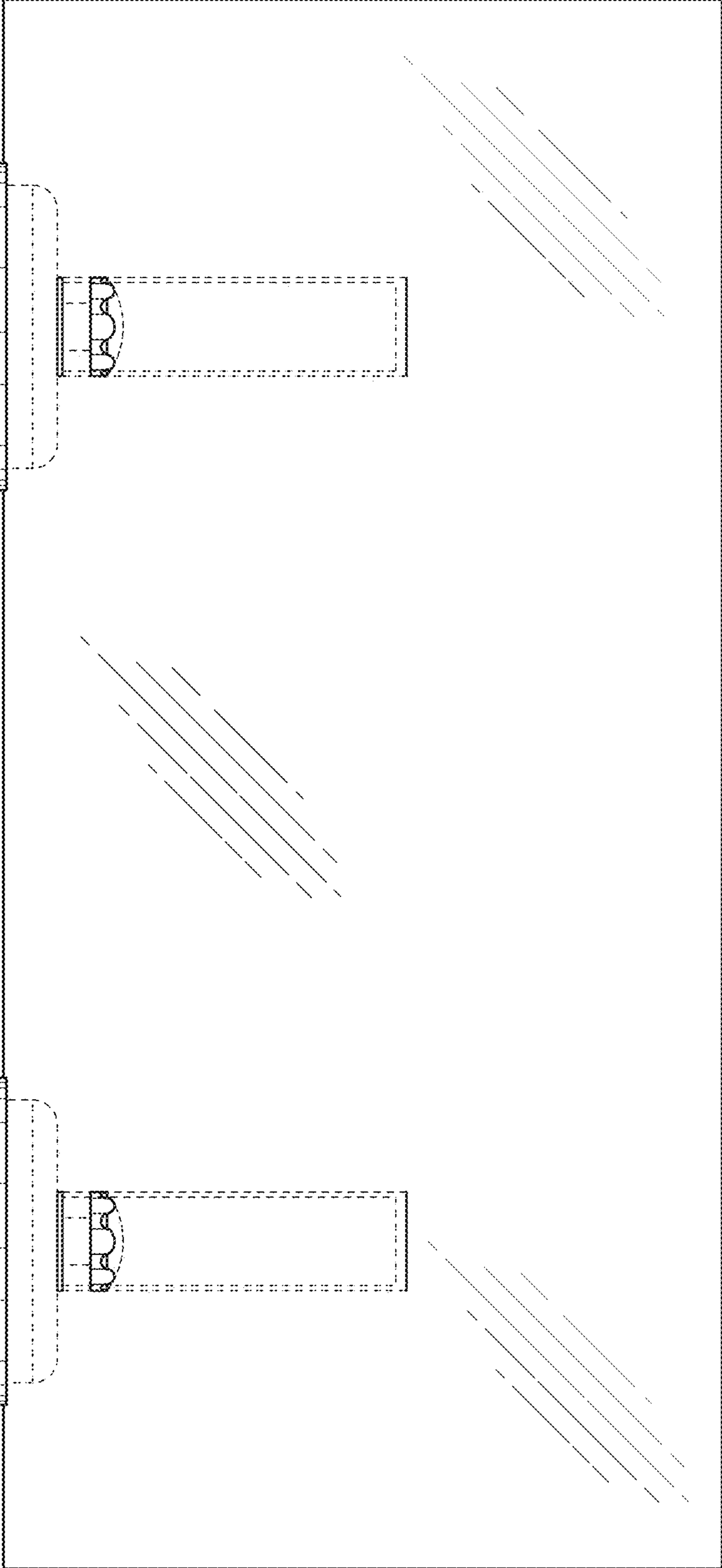


FIG. 5

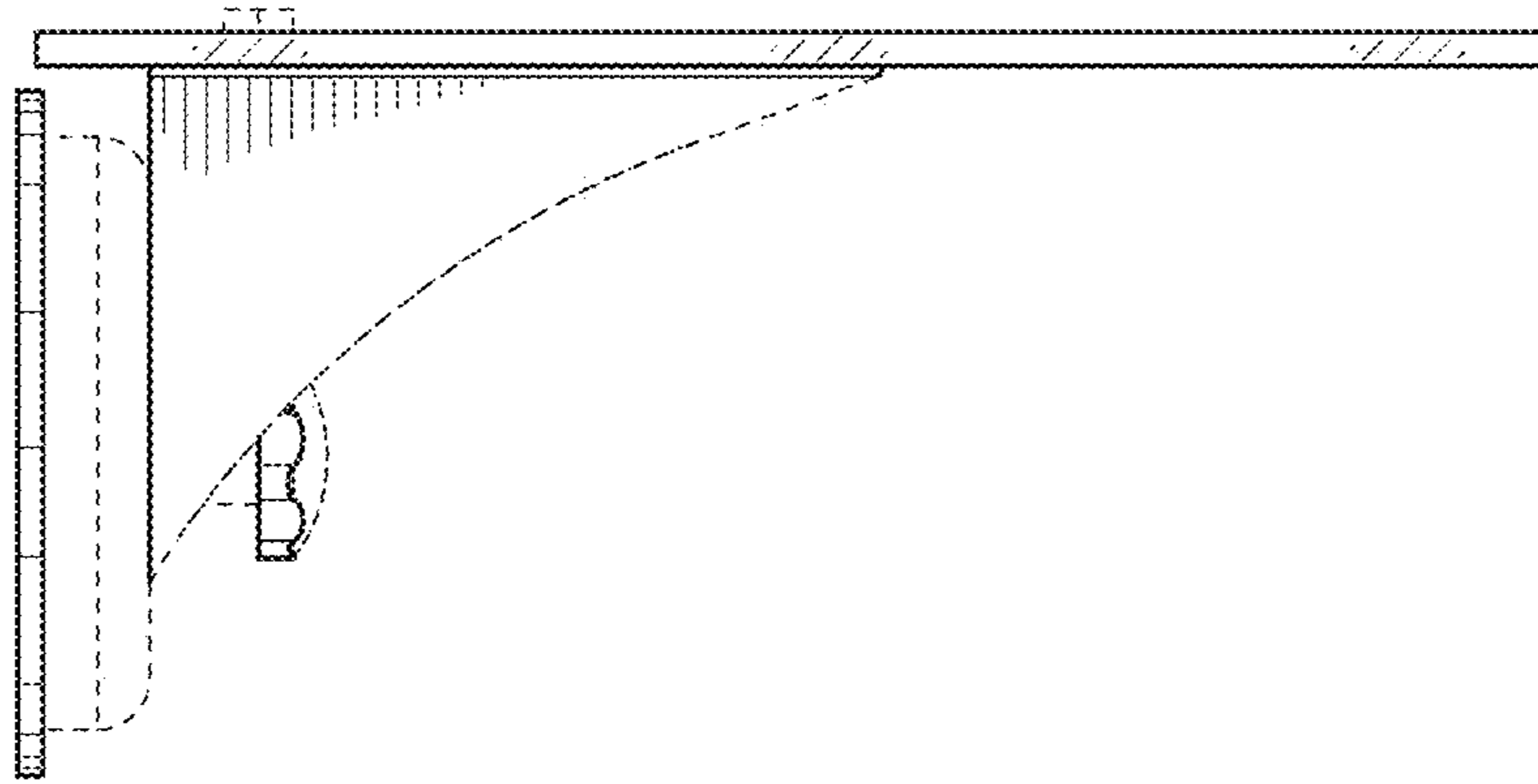


FIG. 6

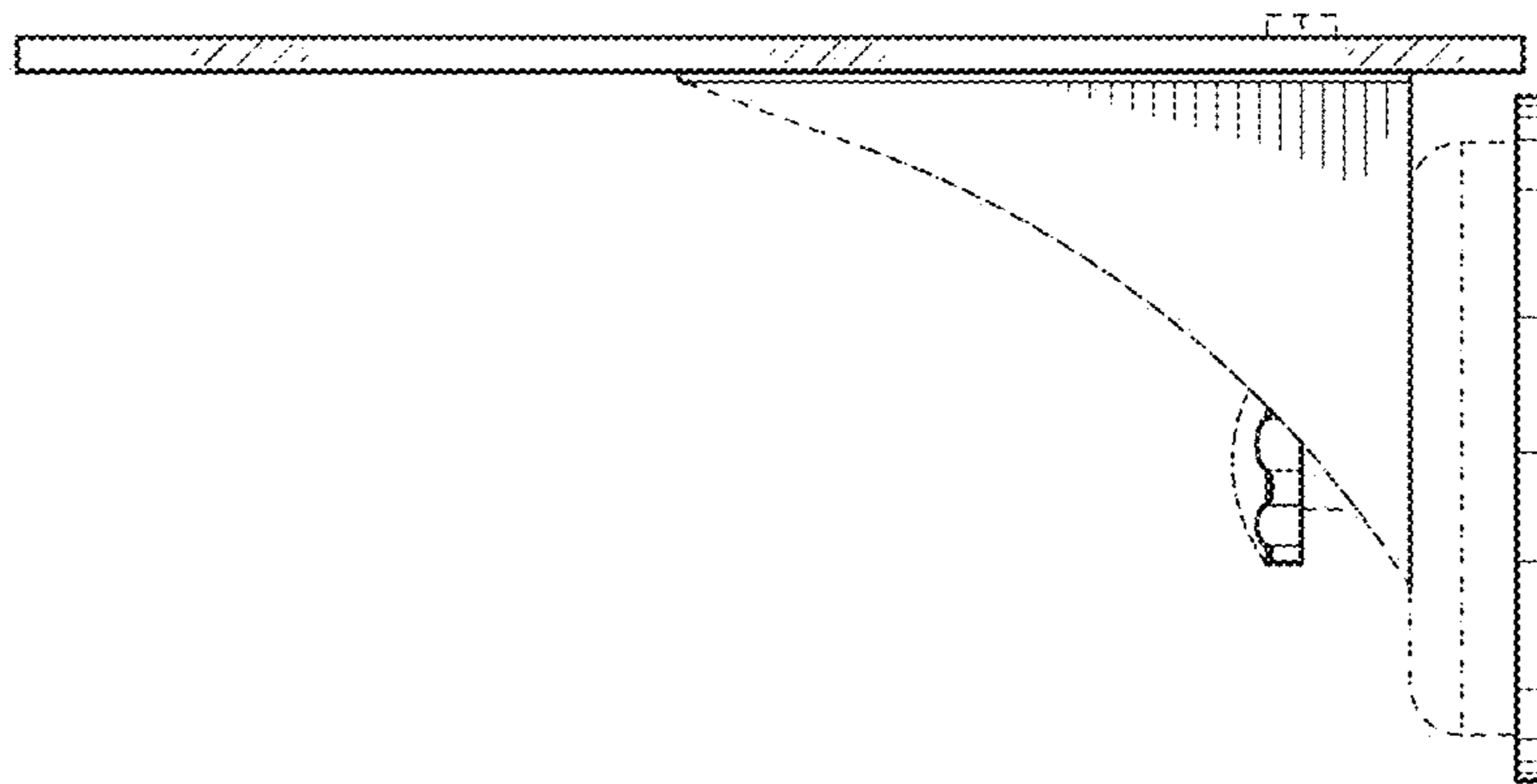


FIG. 7