



US00D867011S

(12) **United States Design Patent** (10) **Patent No.:** **US D867,011 S**
Snell (45) **Date of Patent:** **** Nov. 19, 2019**

(54) **HOLDER**

- (71) Applicant: **InterDesign, Inc.**, Solon, OH (US)
(72) Inventor: **Russell Benton Snell**, Bentleyville, OH (US)
(73) Assignee: **InterDesign, Inc.**, Solon, OH (US)
(**) Term: **15 Years**
(21) Appl. No.: **29/662,000**
(22) Filed: **Aug. 31, 2018**

Related U.S. Application Data

- (63) Continuation of application No. 29/577,592, filed on Sep. 14, 2016, now Pat. No. Des. 827,338, which is a continuation-in-part of application No. 29/571,044, filed on Jul. 14, 2016, now Pat. No. Des. 846,220, which is a continuation-in-part of application No. 29/516,882, filed on Feb. 6, 2015, now abandoned.
(51) **LOC (12) Cl.** **20-02**
(52) **U.S. Cl.**
USPC **D6/520**
(58) **Field of Classification Search**
USPC D6/678, 515-523, 566, 552; D3/201, D3/304, 305, 306; D34/1; 211/13.1, 211/86.01, 87.01, 71.01, 181.1; 220/489; 242/580, 590; 248/309.1
CPC A47K 2010/3253; A47K 10/185; A47K 10/3836; A47K 10/22; A47K 10/3687
See application file for complete search history.

(56) **References Cited**

U.S. PATENT DOCUMENTS

D618,021 S *	6/2010	Guindi	D6/520
D619,839 S *	7/2010	Guindi	D6/520
D642,410 S *	8/2011	Vaults, Jr.	D6/524
D647,745 S *	11/2011	Guindi	D3/306
D691,389 S *	10/2013	Snider	D6/519
D775,850 S *	1/2017	Tsai	D6/523

* cited by examiner

Primary Examiner — Wan Laymon
Assistant Examiner — Mark Booker

(74) *Attorney, Agent, or Firm* — Calfee, Halter & Griswold, LLP

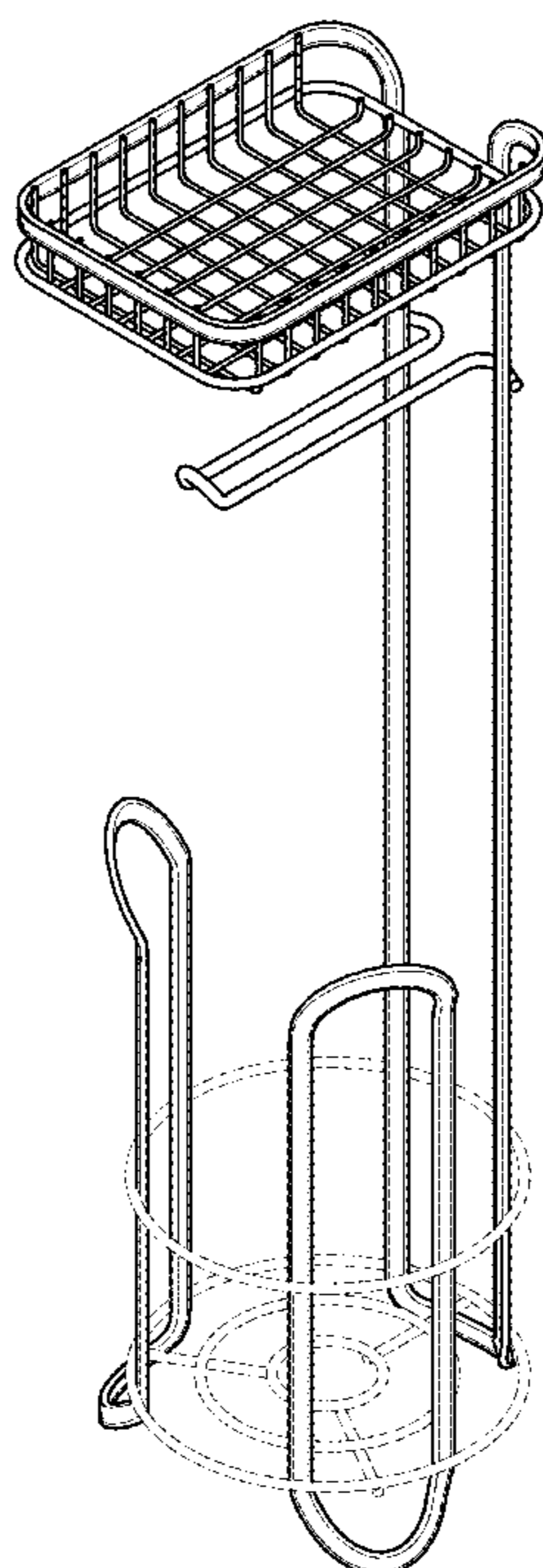
(57) **CLAIM**

I claim the ornamental design for a holder, as shown and described.

DESCRIPTION

FIG. 1 is a front/right/top perspective view of a holder (a front/left/top perspective view would be a mirror image thereof);
FIG. 2 is a rear/left/bottom perspective view thereof (a rear/left/bottom view would be a mirror image thereof);
FIG. 3 is a front elevational view thereof;
FIG. 4 is a right side elevational view thereof;
FIG. 5 is a rear elevational view thereof;
FIG. 6 is a left side elevational view thereof;
FIG. 7 is a top plan view thereof; and,
FIG. 8 is a bottom plan view thereof.
The broken lines shown in the figures represent portions of the holder that form no part of the claimed design.

1 Claim, 4 Drawing Sheets



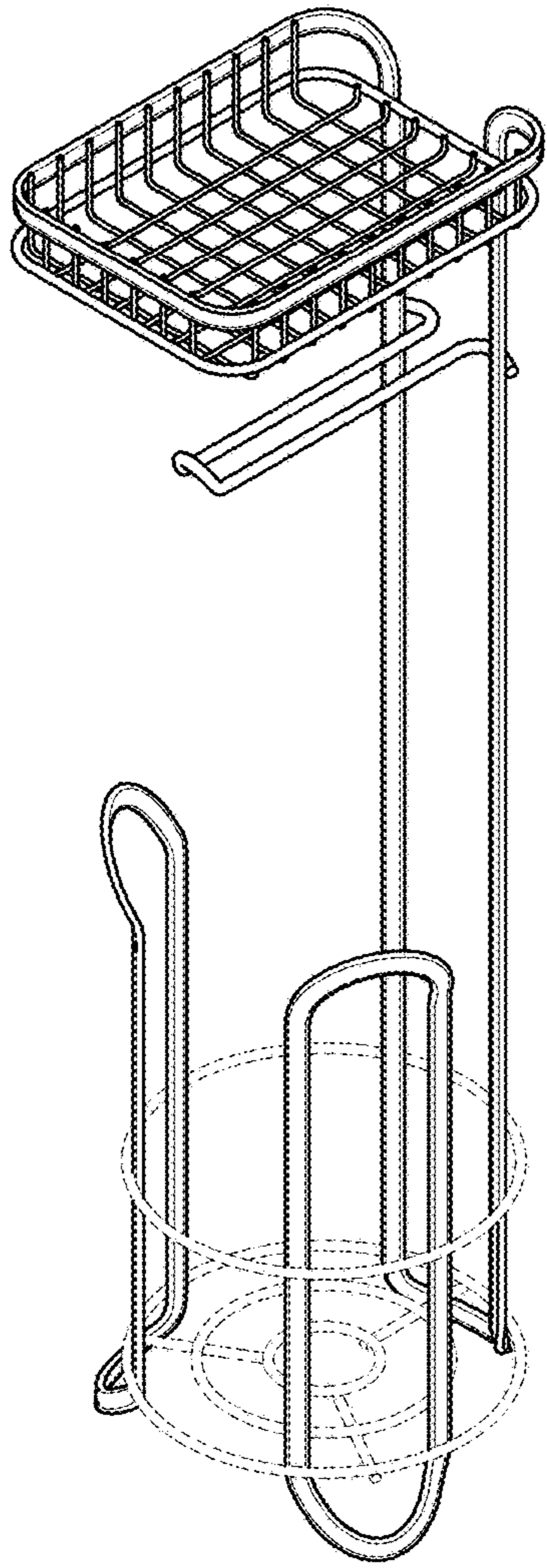


FIG. 1

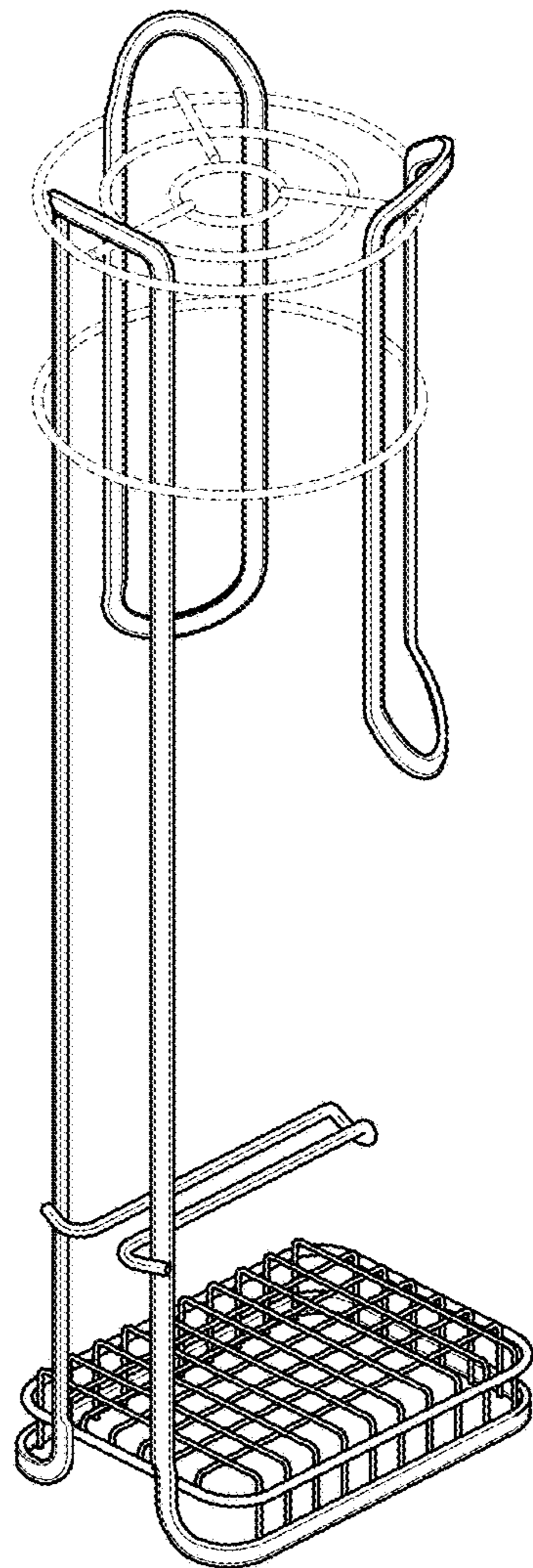


FIG. 2

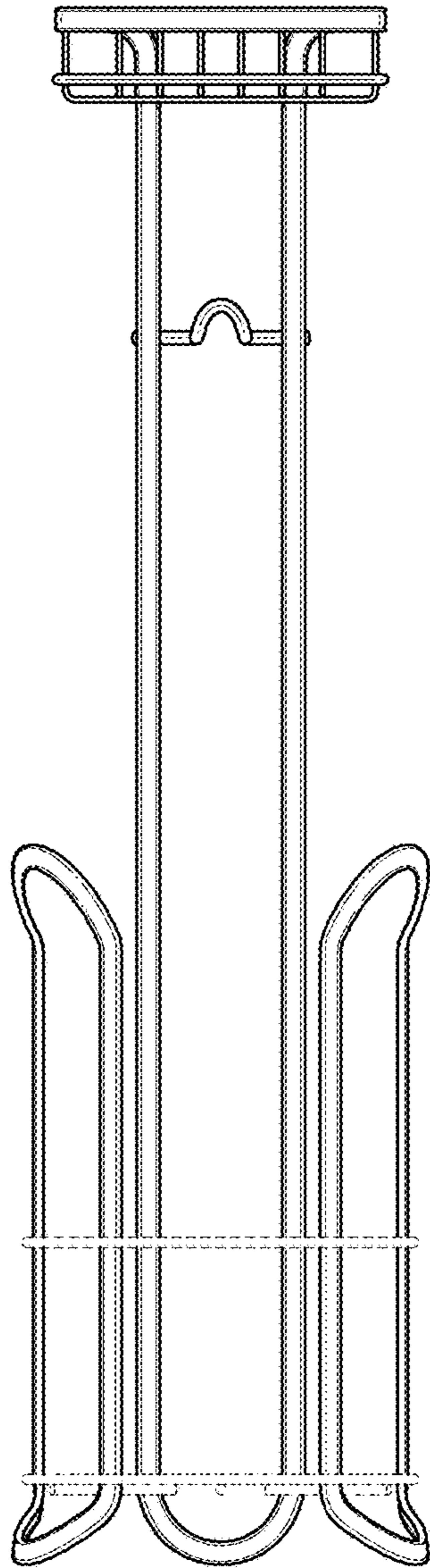


FIG. 3

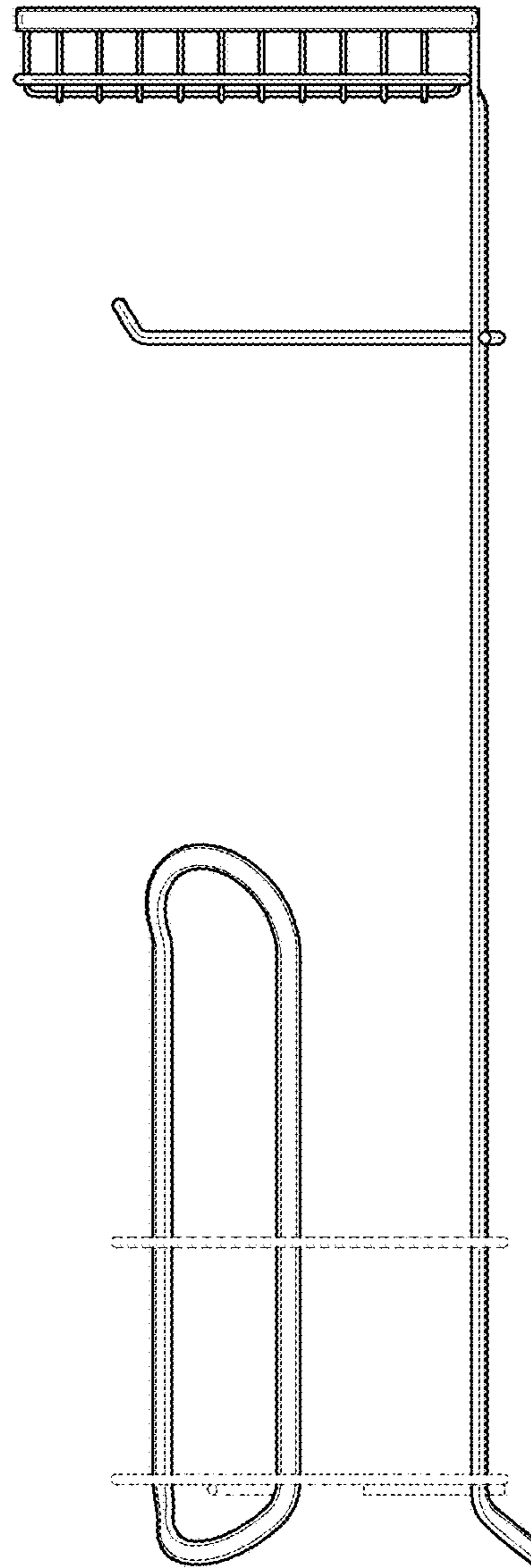


FIG. 4

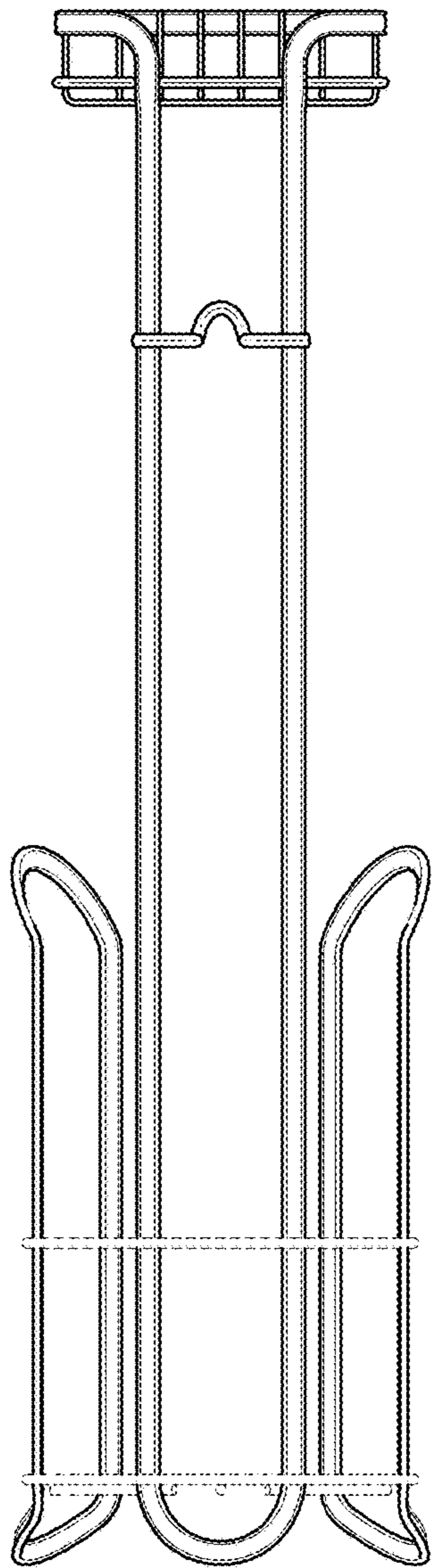


FIG. 5

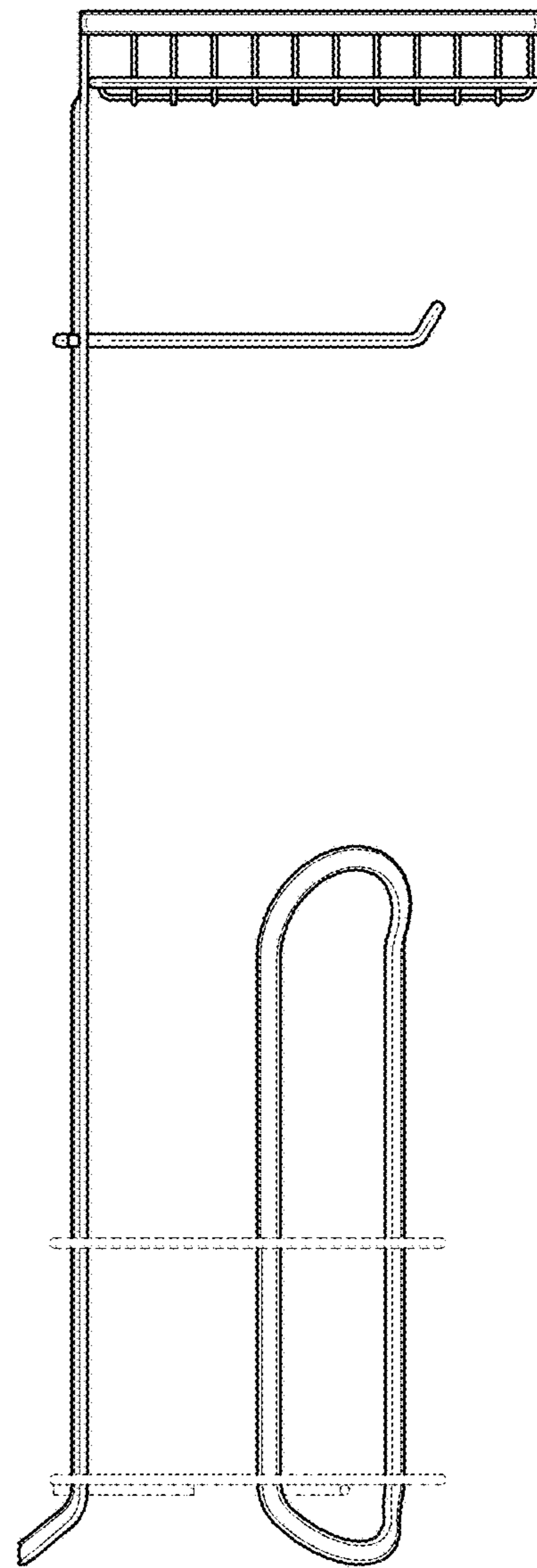


FIG. 6

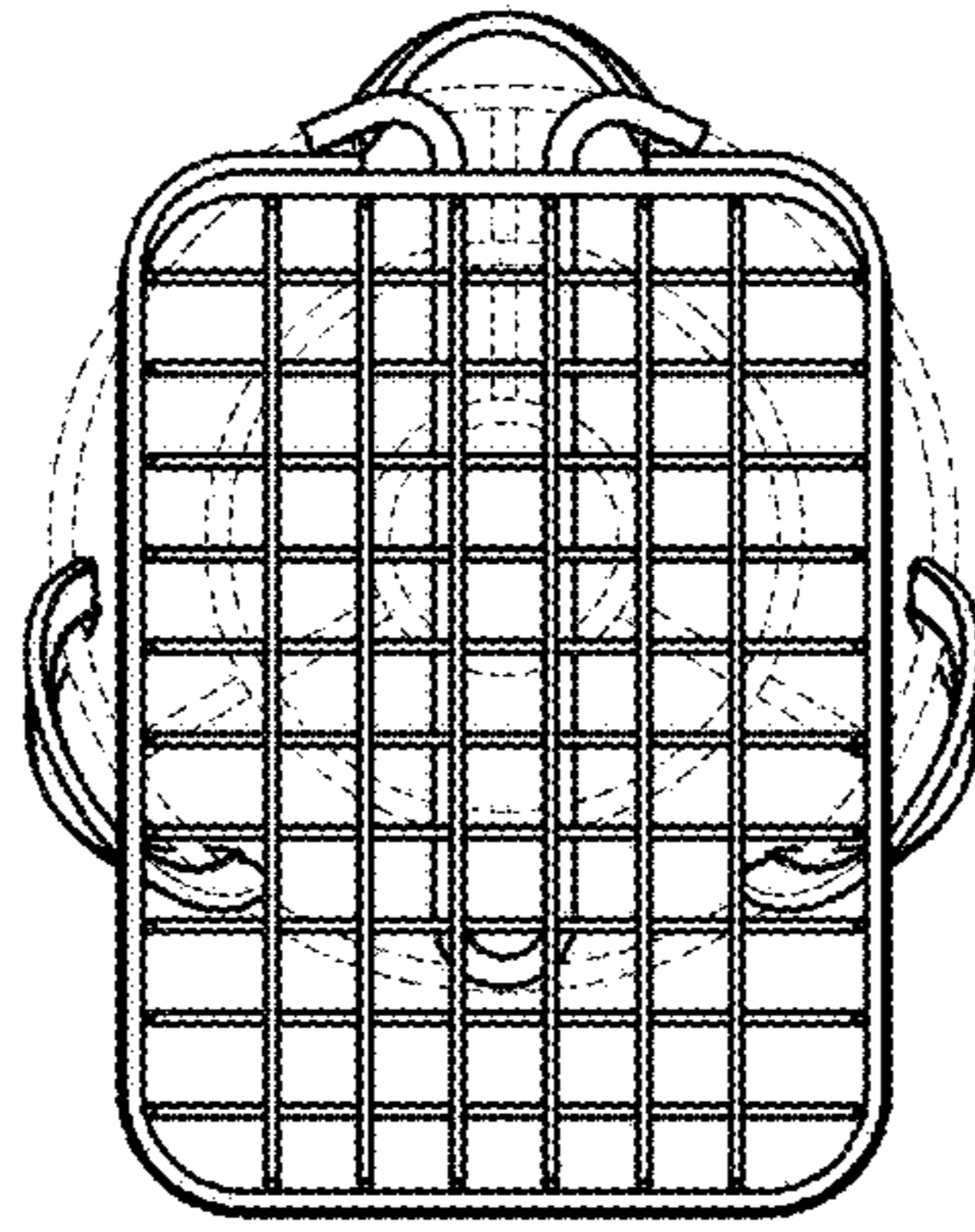


FIG. 7

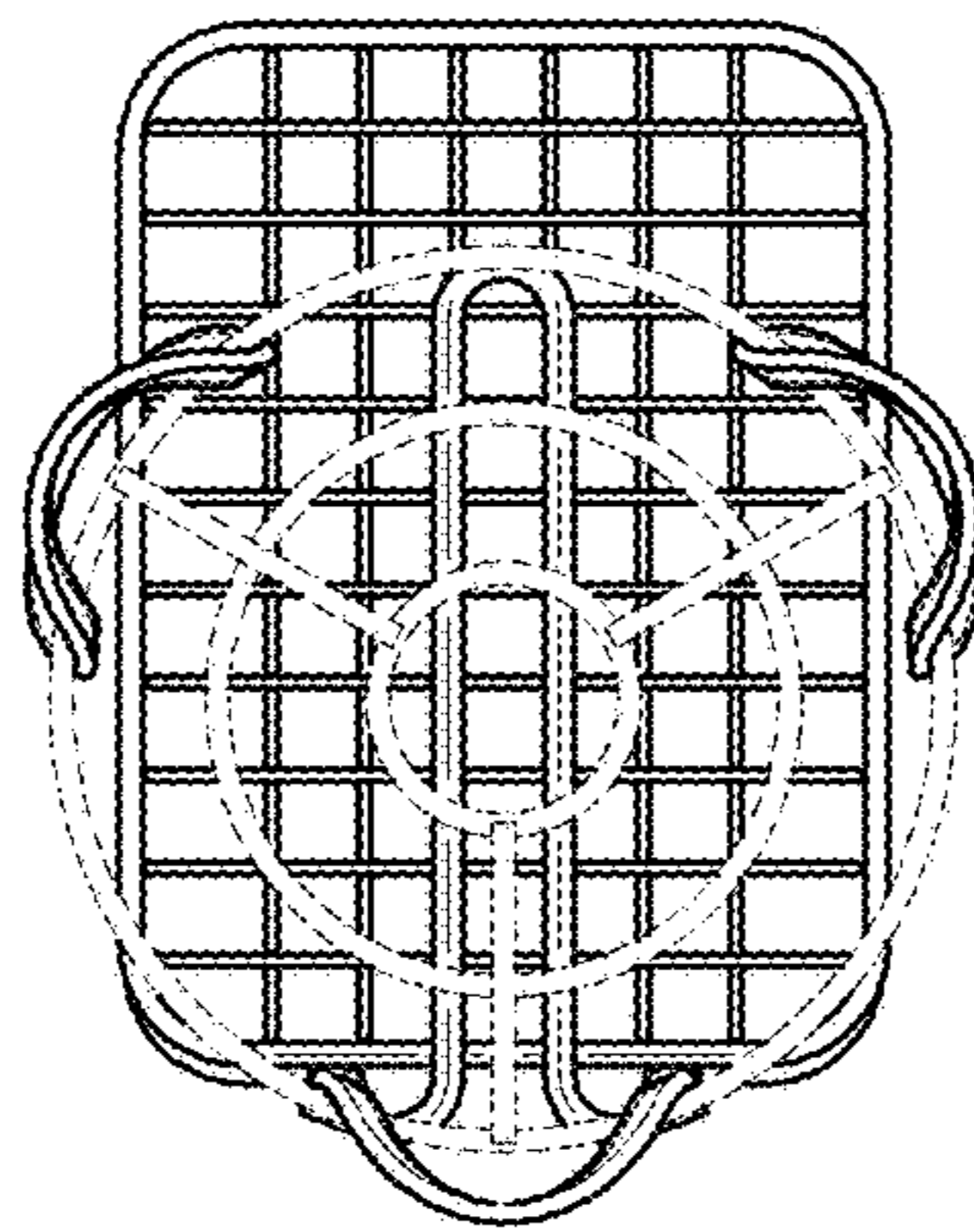


FIG. 8