

US00D867010S

(12) **United States Design Patent**  
**Laycock**

(10) **Patent No.:** **US D867,010 S**

(45) **Date of Patent:** **\*\* Nov. 19, 2019**

- (54) **BED**
- (71) Applicant: **Horizontal Sleep Ltd.**, North Vancouver (CA)
- (72) Inventor: **Len Laycock**, North Vancouver (CA)
- (73) Assignee: **Horizontal Sleep Ltd.**, North Vancouver, BC (CA)
- (\*\*) Term: **15 Years**
- (21) Appl. No.: **29/655,796**
- (22) Filed: **Jul. 6, 2018**
- (51) **LOC (12) Cl.** ..... **06-02**
- (52) **U.S. Cl.**  
USPC ..... **D6/382**
- (58) **Field of Classification Search**  
USPC ..... D6/382-384, 393, 718, 605, 606  
CPC ..... A47C 19/00; A47C 19/02; A47C 19/021;  
A47C 19/024; A47C 23/00; A47C 23/05;  
A47C 21/022; A47C 31/08; A47C 31/105  
See application file for complete search history.

- 6,163,907 A \* 12/2000 Larson ..... A47C 21/048  
5/421
- 6,233,764 B1 \* 5/2001 Orr ..... A47C 21/022  
5/496
- D593,349 S \* 6/2009 Pittman ..... D6/596
- D663,903 S \* 7/2012 Wygle ..... D30/118
- D687,249 S \* 8/2013 Price ..... D6/605
- D717,561 S \* 11/2014 Wurst ..... D6/382
- 9,474,383 B1 \* 10/2016 Roberts ..... A47C 19/02
- D784,718 S \* 4/2017 Bellingroth ..... D6/382
- D809,843 S \* 2/2018 Keeley ..... D6/718
- 2003/0079284 A1 \* 5/2003 Gaboury ..... A47C 19/005  
5/201
- 2011/0138534 A1 \* 6/2011 Kozel ..... A47C 19/00  
5/600
- 2016/0100696 A1 \* 4/2016 Palashewski ..... A47C 31/00  
700/90

\* cited by examiner

*Primary Examiner* — Cathron C Brooks

(74) *Attorney, Agent, or Firm* — Cameron IP

(57) **CLAIM**

The ornamental design for a bed, as shown and described.

(56) **References Cited**

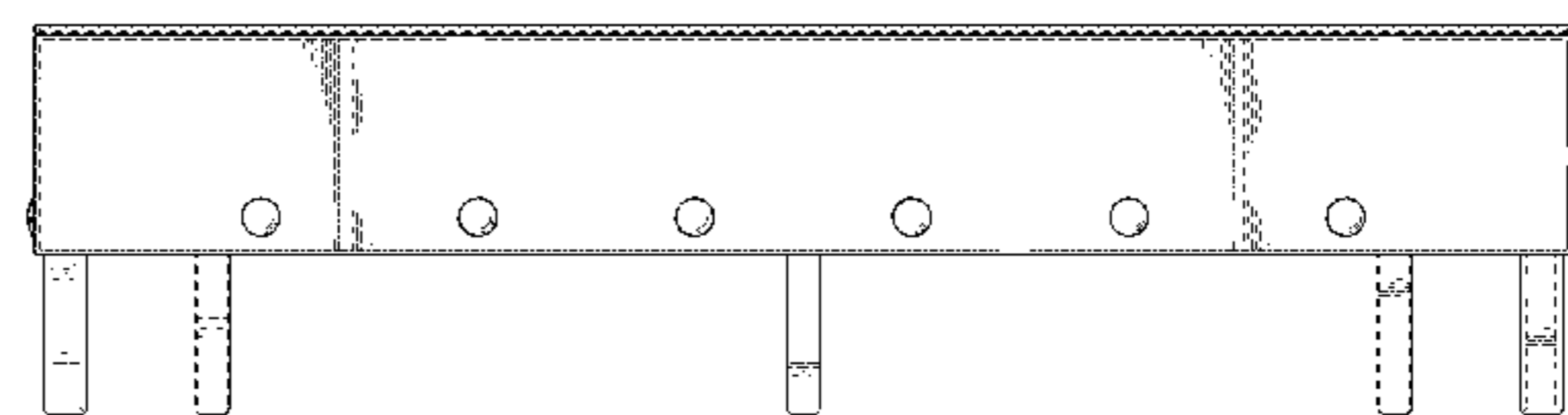
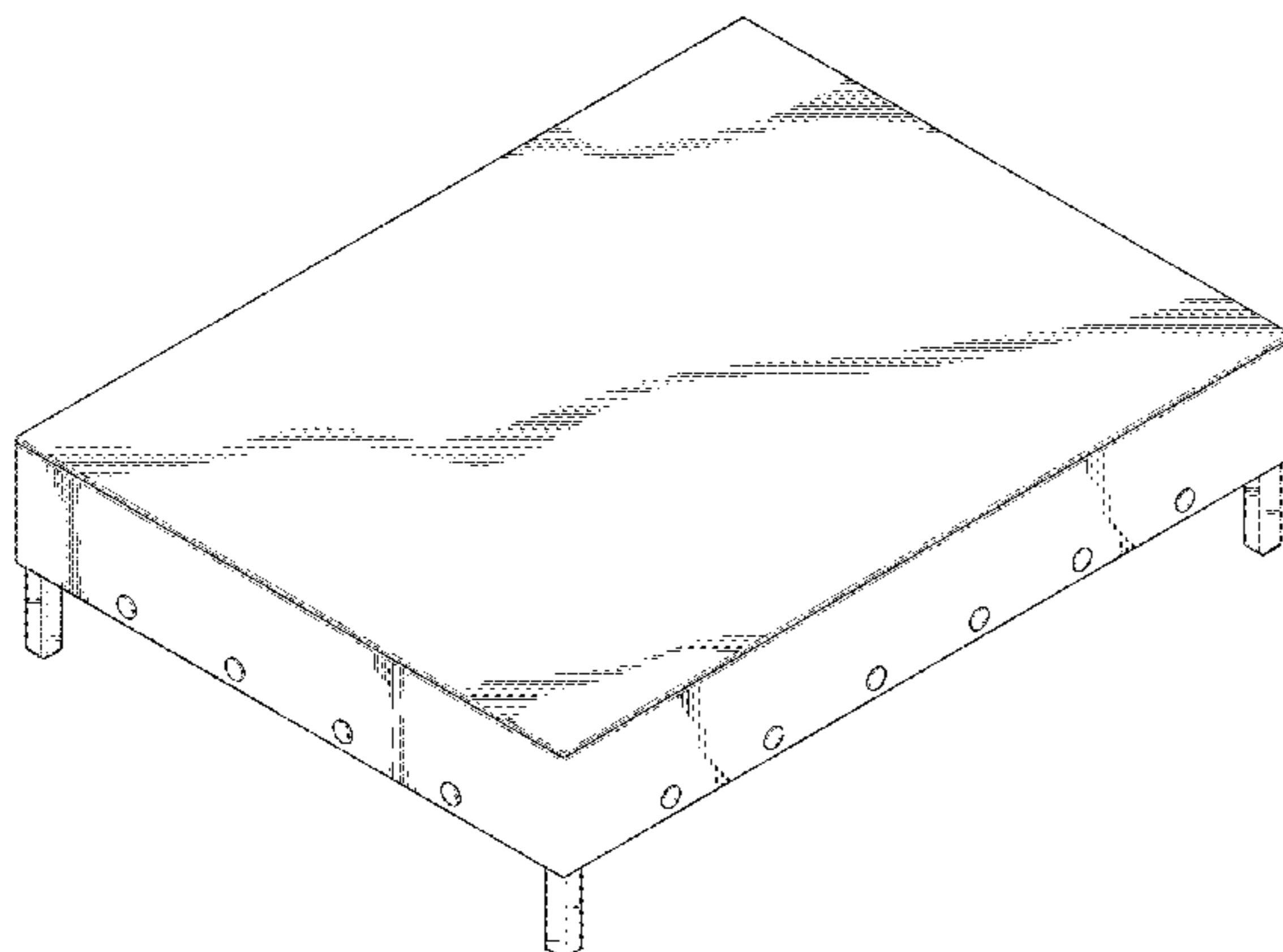
U.S. PATENT DOCUMENTS

- 1,892,913 A \* 1/1933 Timm ..... A47C 27/05  
5/696
- 2,417,333 A \* 3/1947 Waetzman ..... A47C 31/105  
5/411
- 2,973,526 A \* 3/1961 Wetzler ..... A47C 21/022  
5/737
- 3,605,141 A \* 9/1971 Silverman ..... A47C 19/021  
5/200.1
- 5,027,454 A \* 7/1991 Peng ..... A47C 19/021  
5/402
- 5,099,531 A \* 3/1992 Schmier ..... A47C 21/022  
5/494
- D331,159 S \* 11/1992 Bueno ..... D6/382
- D406,473 S \* 3/1999 Lin ..... D6/361

**DESCRIPTION**

FIG. 1 is an isometric view of the bed showing the new design;  
 FIG. 2 is a side elevational view thereof, the other side being the same in appearance;  
 FIG. 3 is an end elevational view thereof, the other end being the same in appearance;  
 FIG. 4 is a top plan view thereof; and,  
 FIG. 5 is a bottom plan view thereof.  
 The broken lines shown in the figures represent portions of the bed that form no part of the claimed design.

**1 Claim, 5 Drawing Sheets**



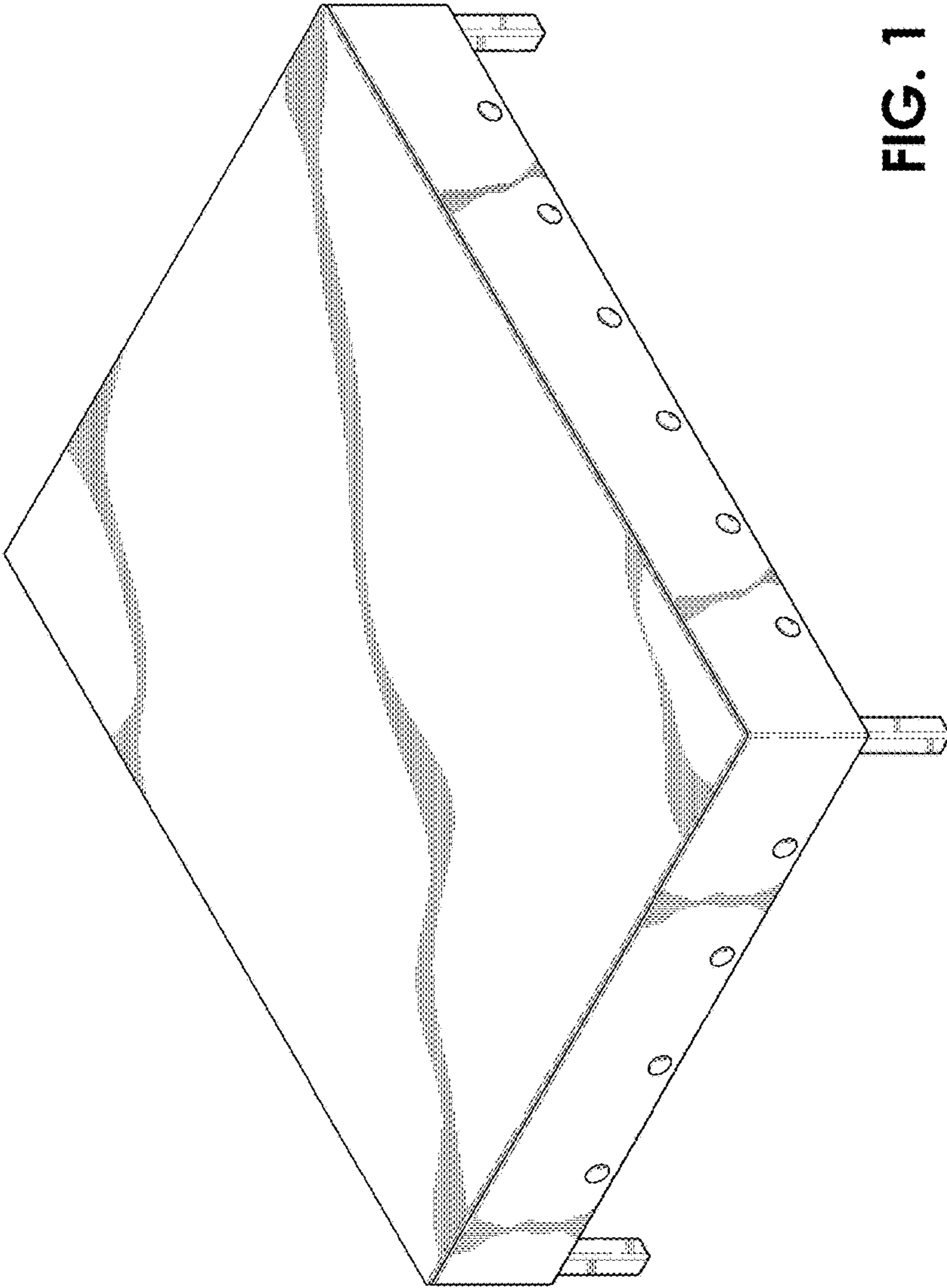


FIG. 1

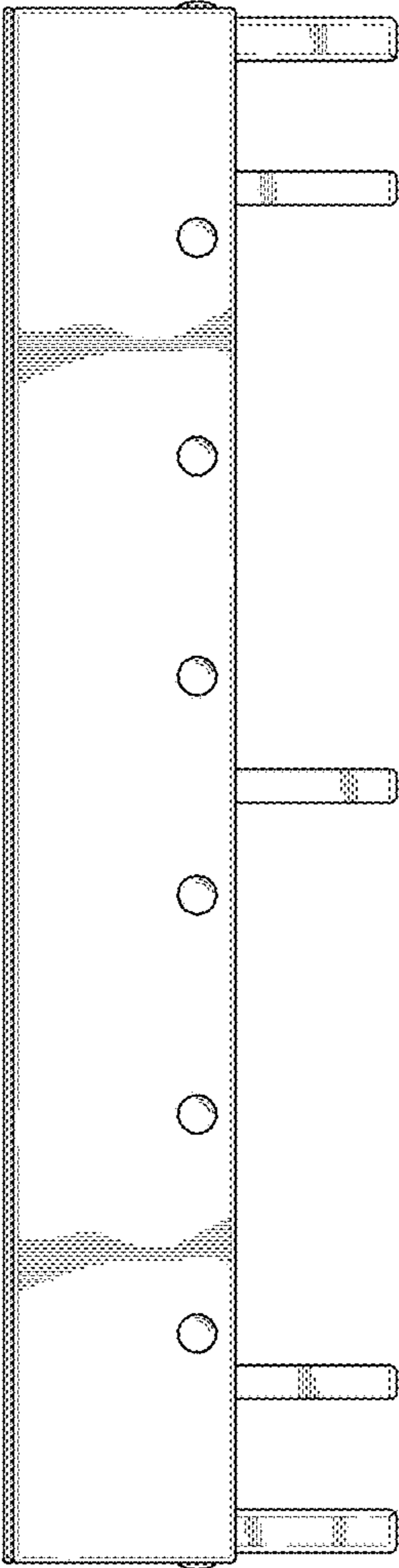


FIG. 2

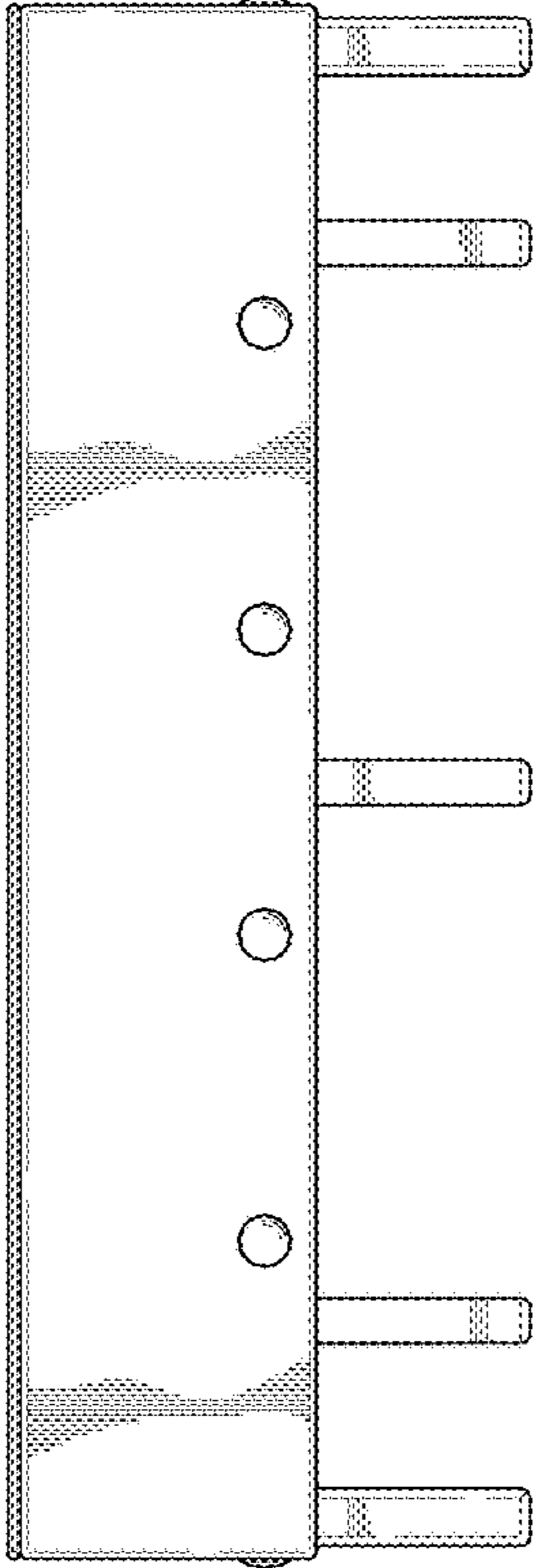


FIG. 3

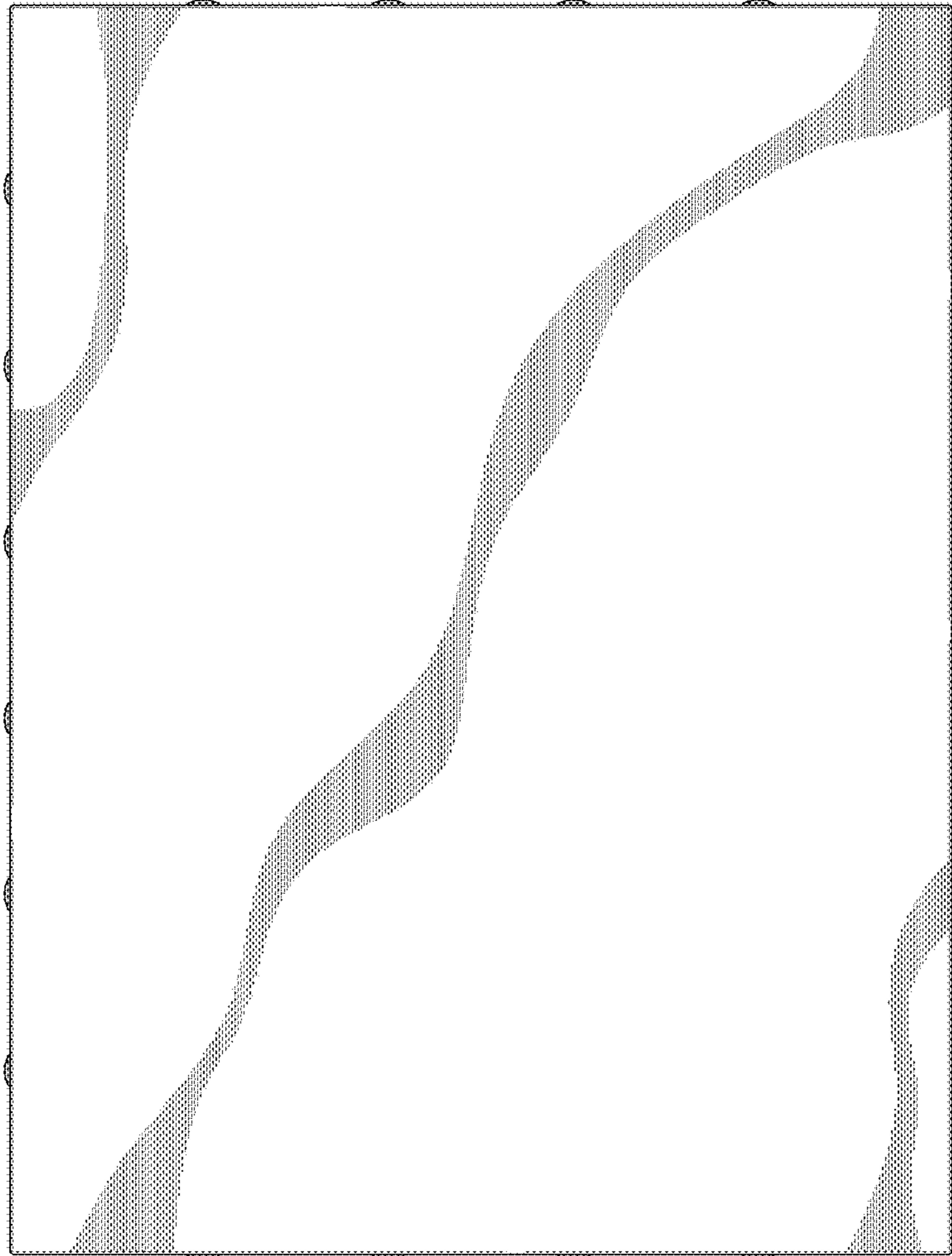


FIG. 4



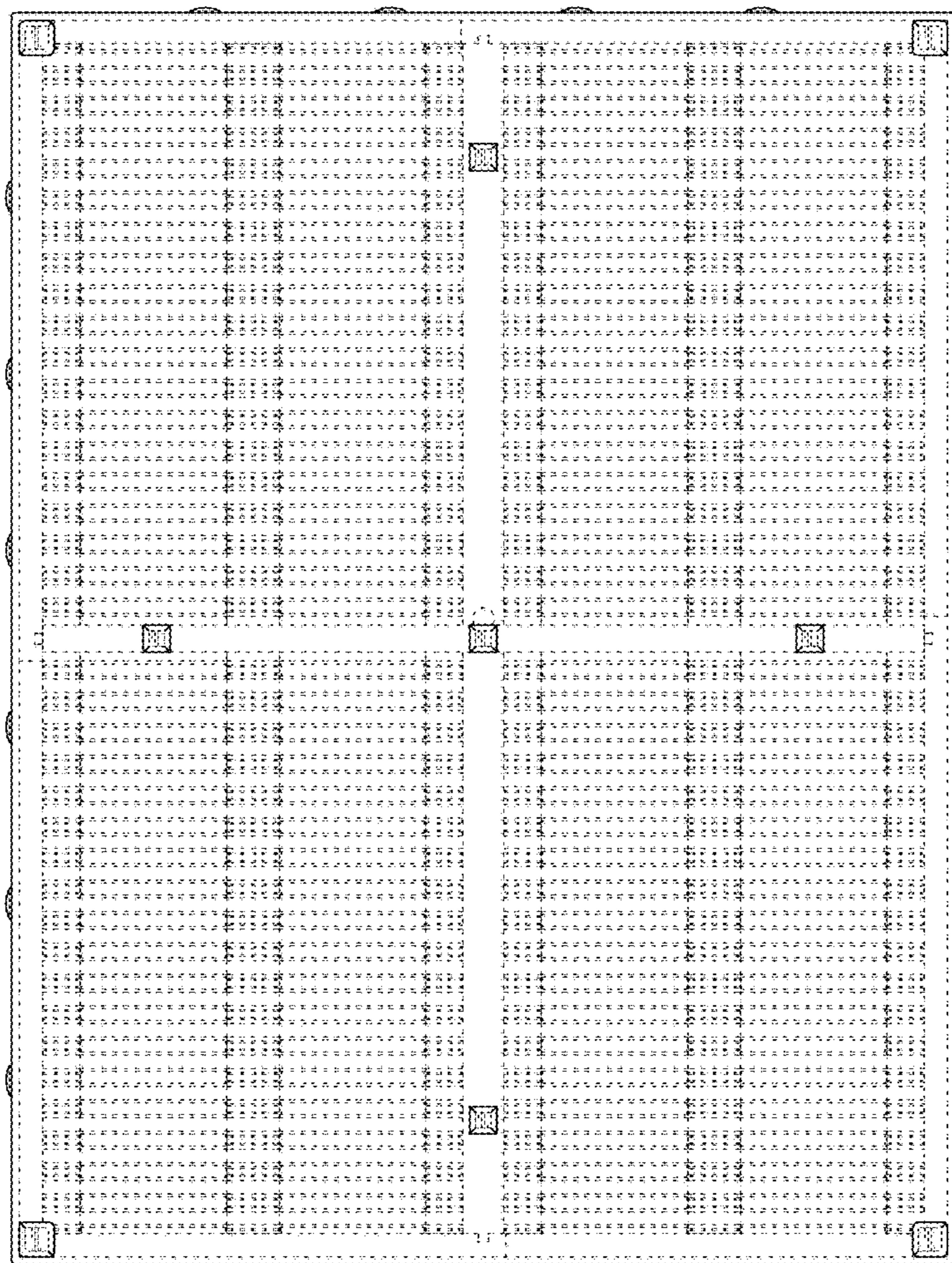


FIG. 5