



US00D867009S

(12) **United States Design Patent** (10) **Patent No.:** **US D867,009 S**
Lievore et al. (45) **Date of Patent:** **** *Nov. 19, 2019**

(54) **ARMCHAIR**
(71) Applicant: **ARPER S.P.A.**, Monastier di Treviso (IT)
(72) Inventors: **Alberto Lievore**, Monastier di Treviso (IT); **Jeannette Altherr**, Monastier di Treviso (IT)
(73) Assignee: **ARPER S.p.A.**, Monastier di Treviso (IT)
(*) Notice: This patent is subject to a terminal disclaimer.
(**) Term: **15 Years**
(21) Appl. No.: **35/503,907**
(22) Filed: **Aug. 29, 2017**
(80) **Hague Agreement Data**
Int. Filing Date: **Aug. 29, 2017**
Int. Reg. No.: **DM/098143**
Int. Reg. Date: **Aug. 29, 2017**
Int. Reg. Pub. Date: **Nov. 3, 2017**

(30) **Foreign Application Priority Data**
Mar. 31, 2017 (WO) DM/096824
(51) **LOC (12) Cl.** **06-01**
(52) **U.S. Cl.**
USPC **D6/379; D6/373**
(58) **Field of Classification Search**
USPC D6/334-366, 371-373, 379-381
CPC .. A47C 3/00; A47C 3/023; A47C 4/00; A47C 4/02; A47C 5/00; A47C 5/04; A47C 5/12; A47C 7/00; A47C 7/002; A47C 7/004; A47C 7/006
See application file for complete search history.

(56) **References Cited**
U.S. PATENT DOCUMENTS
D222,450 S * 10/1971 Brook D6/373
D271,455 S * 11/1983 Saiger D6/716

D281,935 S * 12/1985 Lowsky D6/373
D291,391 S * 8/1987 Arthur, Jr. D6/370
D298,787 S * 12/1988 Greene D6/370
D329,543 S * 9/1992 Shields D6/334
D347,742 S * 6/1994 Schwartz D6/370
D413,028 S * 8/1999 Kaiser D6/373
D467,444 S * 12/2002 Hess D6/370
D494,373 S * 8/2004 Hancock D6/334
D555,368 S * 11/2007 Wieland D6/334
D601,825 S * 10/2009 Starck D6/381
D606,329 S * 12/2009 Van Duysen D6/375
D624,763 S * 10/2010 Bassam D6/380
D679,518 S * 4/2013 Lievore D6/381
D720,150 S * 12/2014 Tanzer D6/334
D773,837 S * 12/2016 Bougay D6/334
D775,848 S * 1/2017 Bettin D6/381
D792,121 S * 7/2017 Pedersen D6/379
D801,070 S * 10/2017 Naoto D6/379
D802,956 S * 11/2017 Neil D6/372
D804,213 S * 12/2017 Jonke D6/370
D812,917 S * 3/2018 Maier D6/334
D821,111 S * 6/2018 Scallions D6/371
D822,399 S * 7/2018 Radeljkovic D6/379

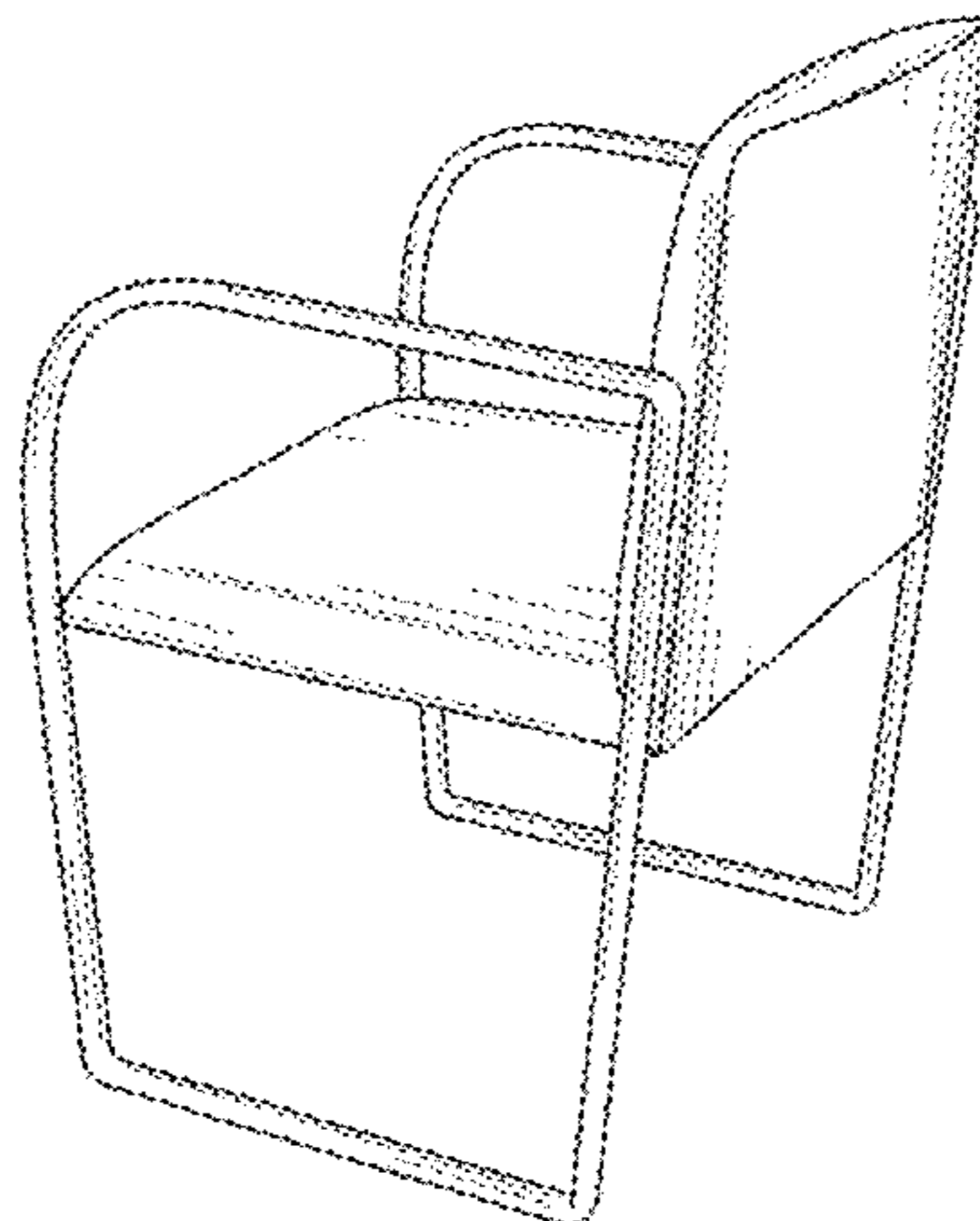
* cited by examiner

Primary Examiner — Mary Ann Calabrese
(74) *Attorney, Agent, or Firm* — Thomas|Horstemeyer, LLP

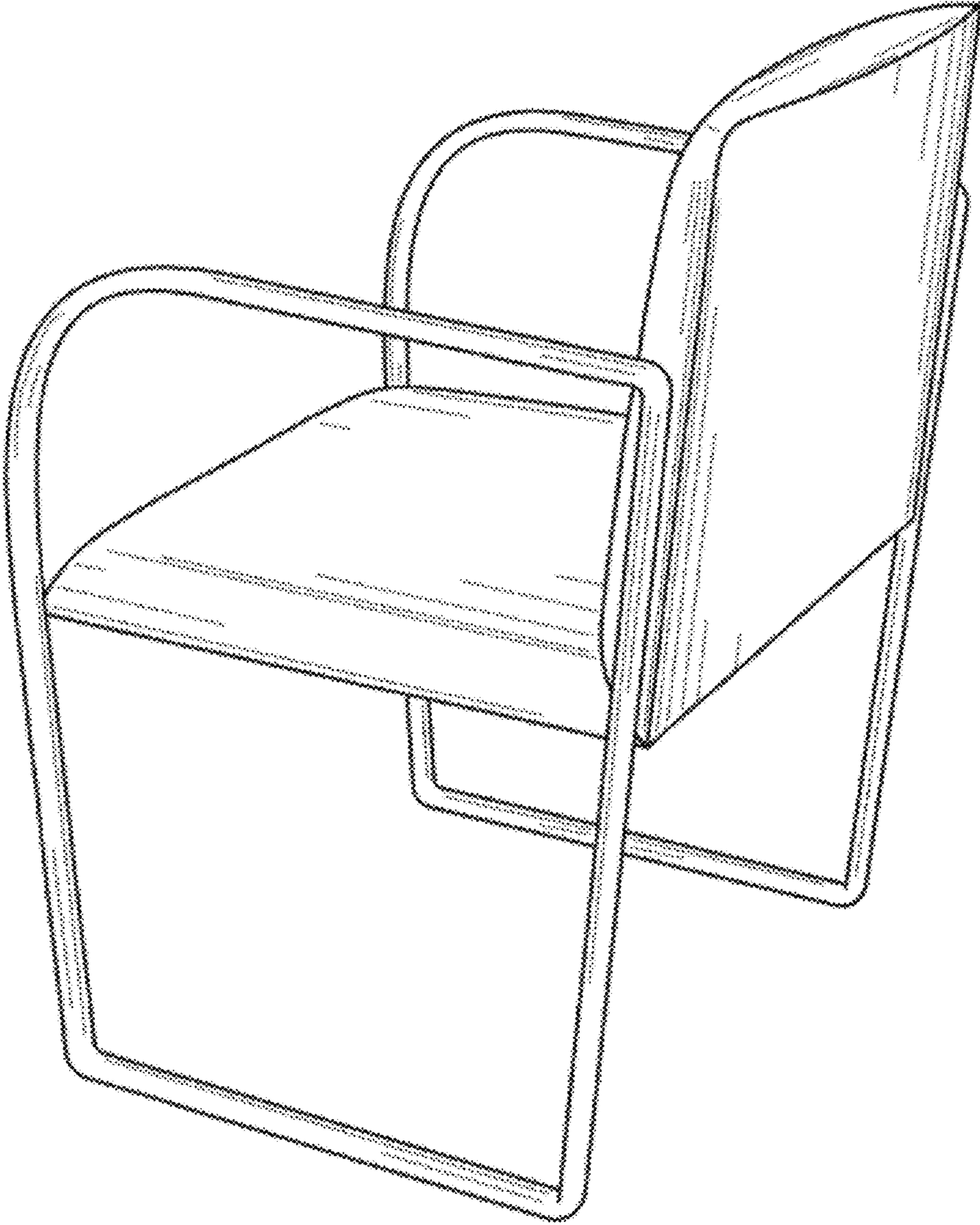
(57) **CLAIM**
The ornamental design for an armchair, as shown and described.

DESCRIPTION
1. Armchair
1.1 is a perspective view;
1.2 is a right side view;
1.3 is a left side view;
1.4 is a front view;
1.5 is a rear view;
1.6 is a top view;
1.7 is a bottom view.

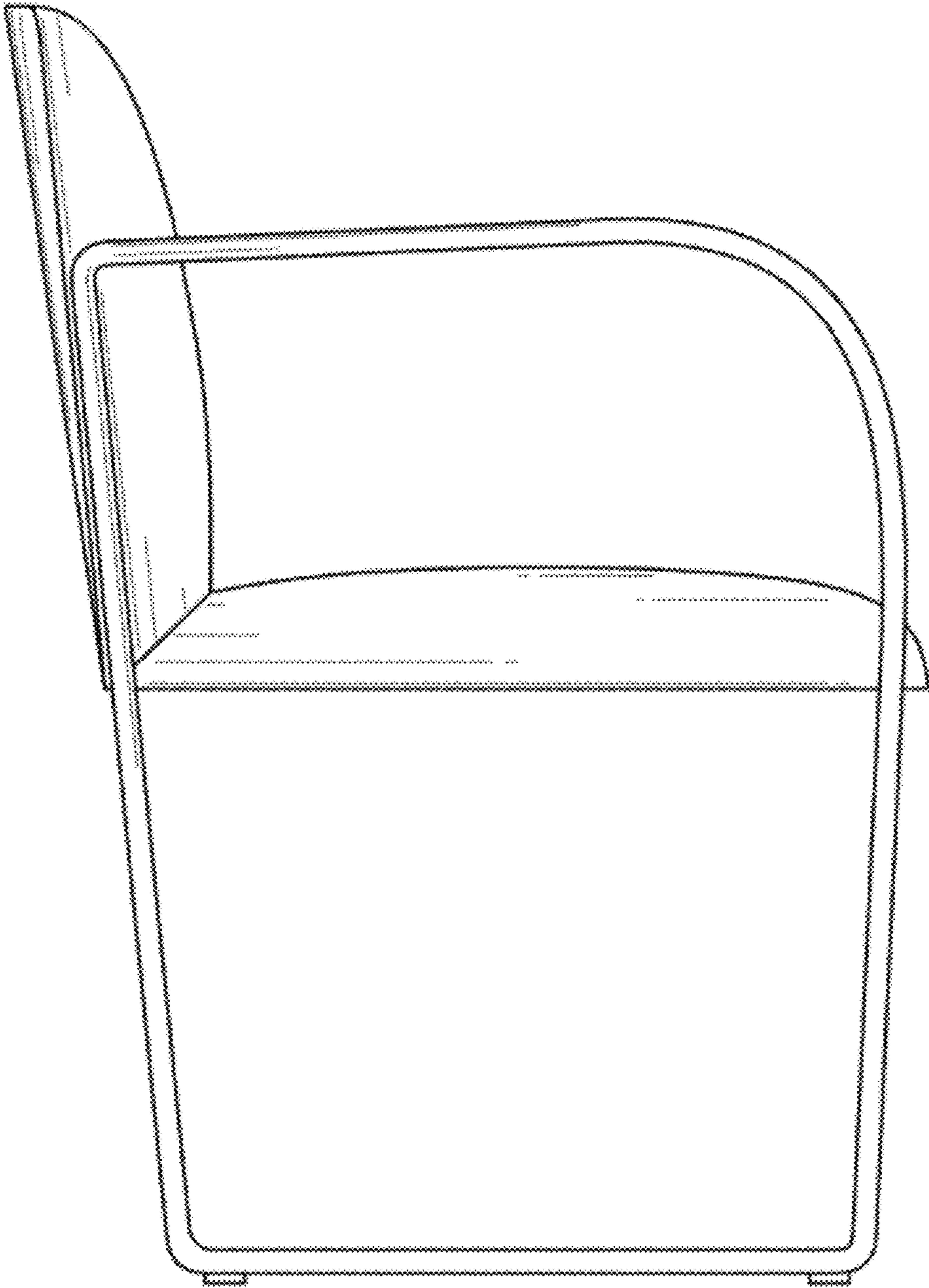
1 Claim, 7 Drawing Sheets



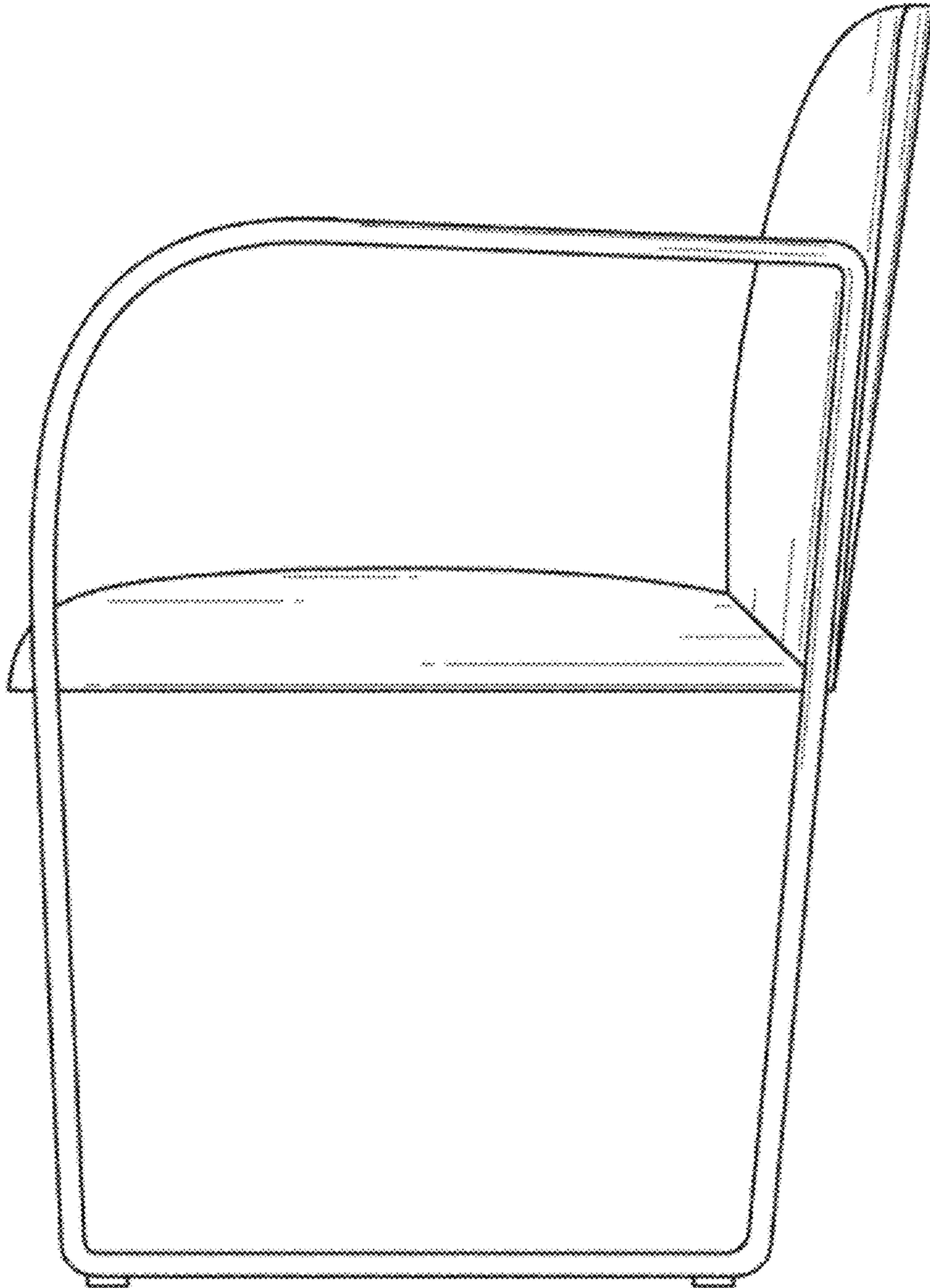
1.1



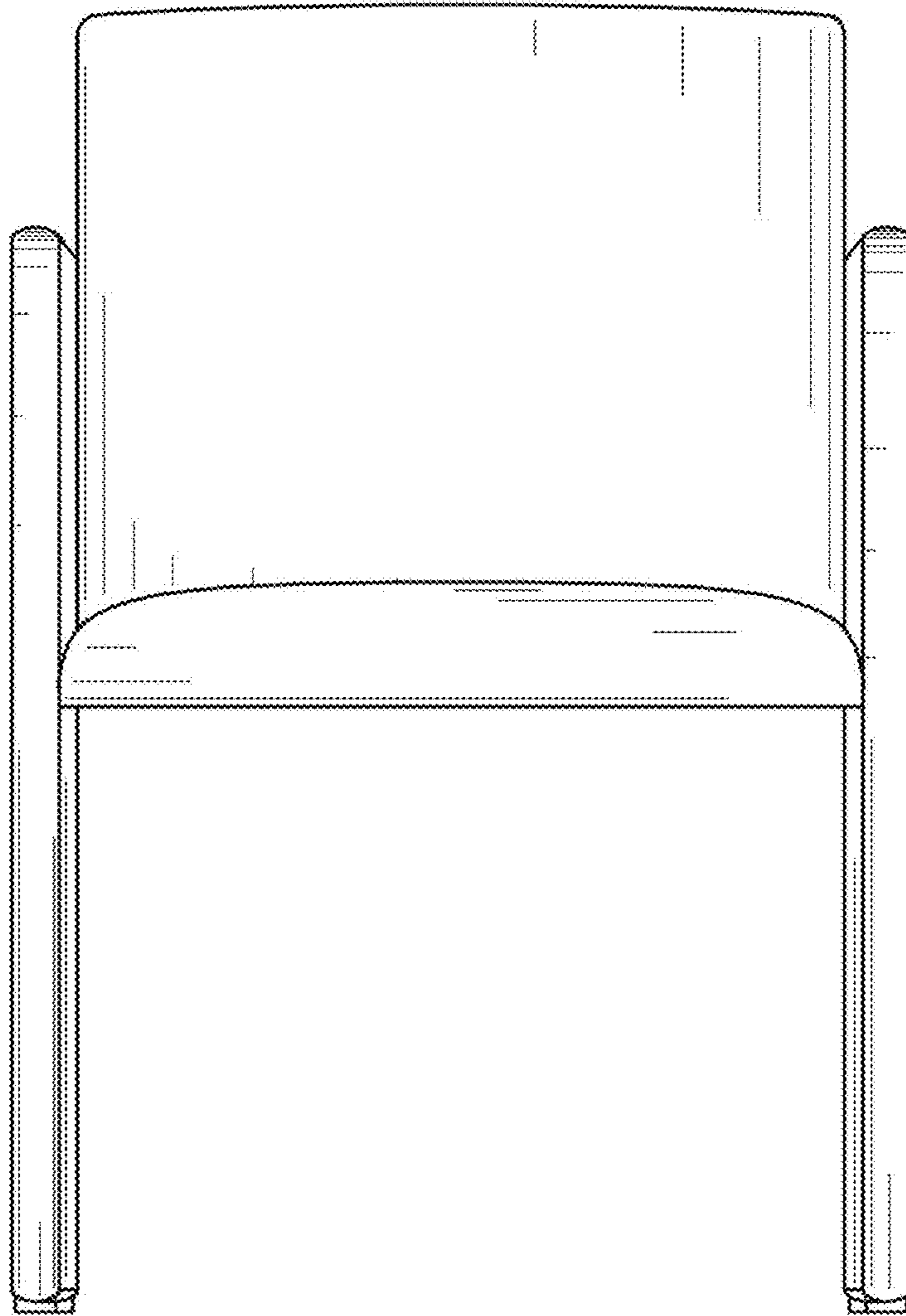
1.2



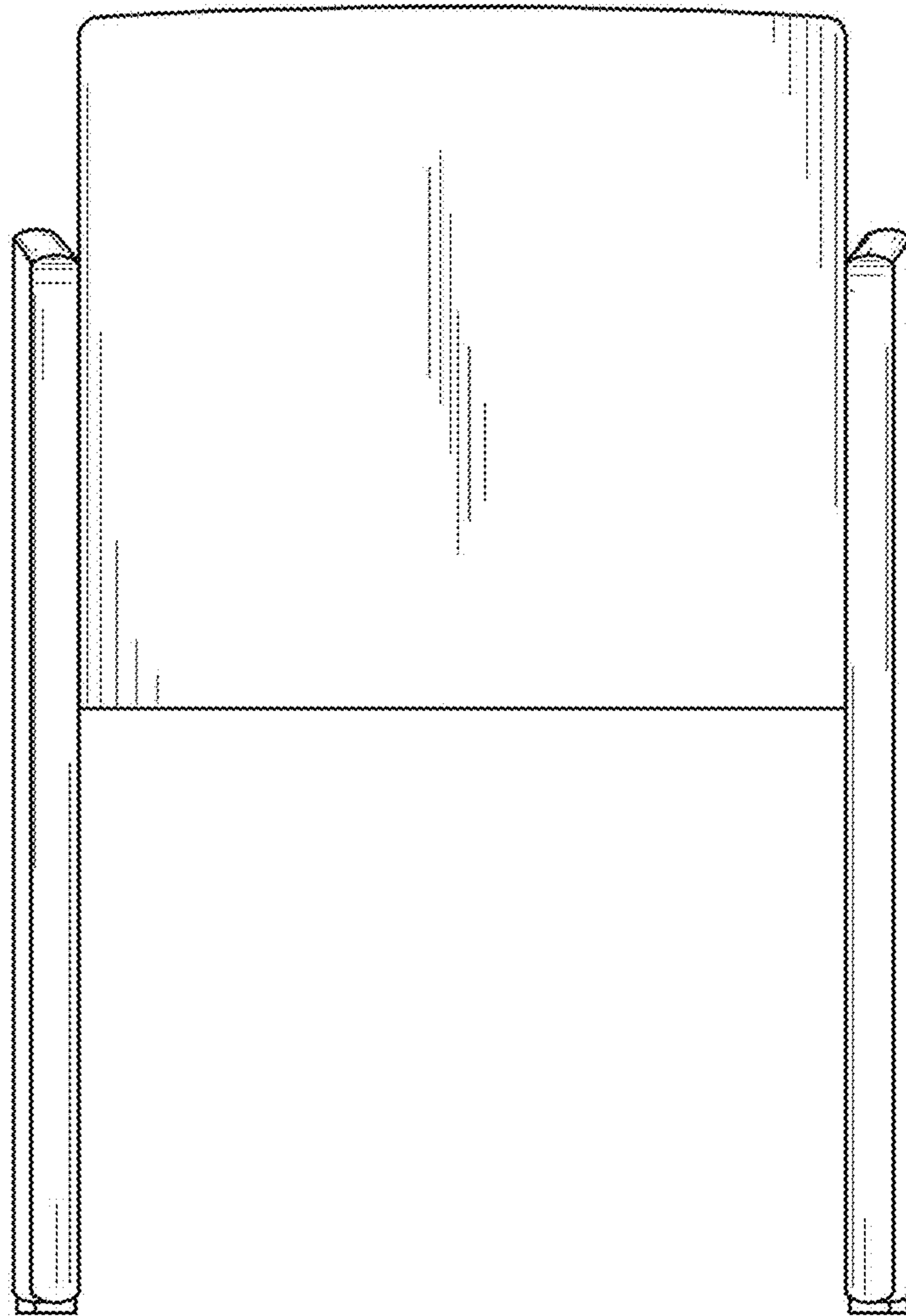
1.3



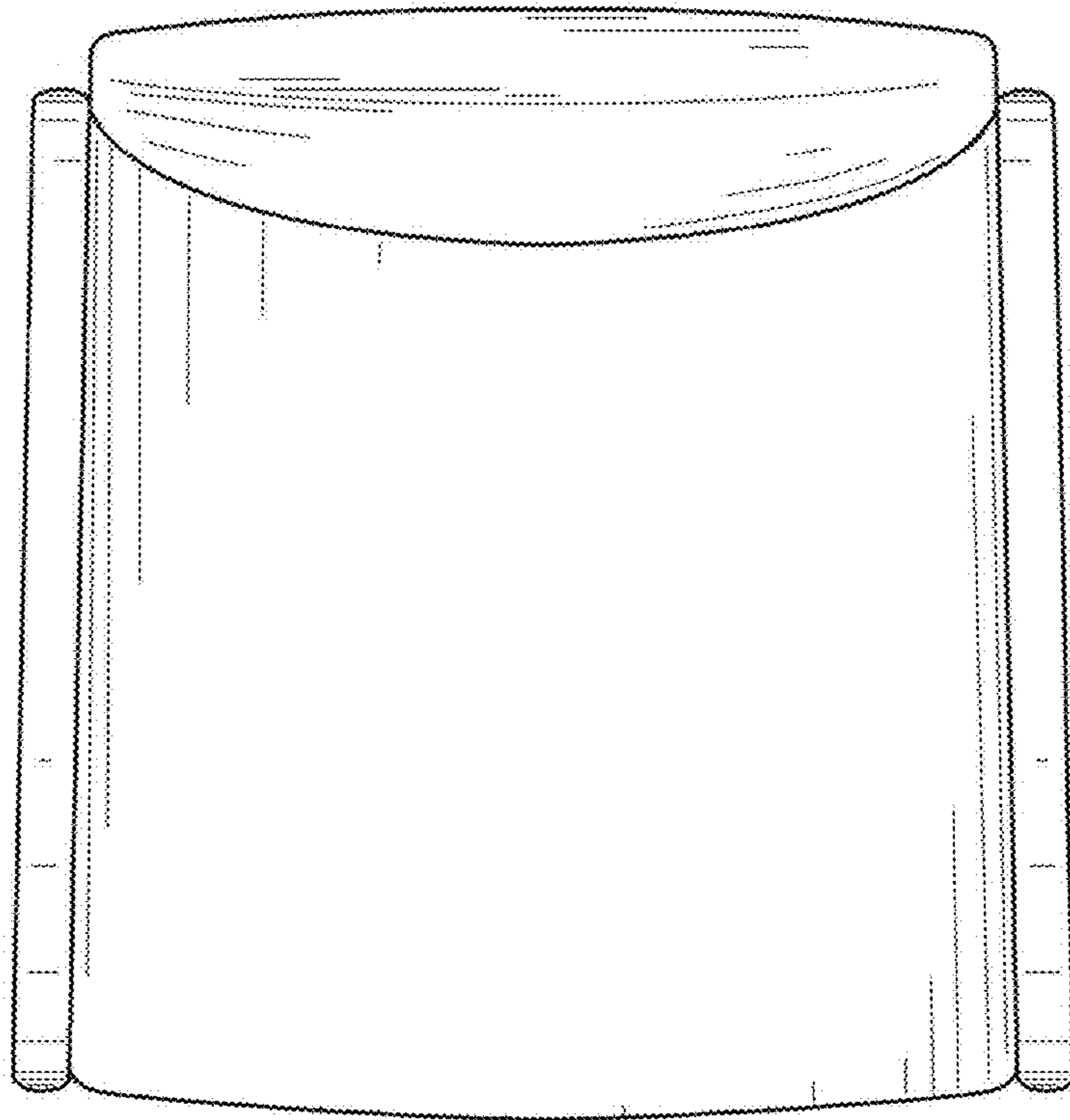
1.4



1.5



1.6



1.7

