

US00D867006S

(12) **United States Design Patent**
Kohavi

(10) **Patent No.:** **US D867,006 S**

(45) **Date of Patent:** **** Nov. 19, 2019**

(54) **CHAIR**

(71) Applicant: **Teva Aviv Kohavi**, San Carlos, CA
(US)

(72) Inventor: **Teva Aviv Kohavi**, San Carlos, CA
(US)

(**) Term: **15 Years**

(21) Appl. No.: **29/638,366**

(22) Filed: **Feb. 27, 2018**

(51) **LOC (12) Cl.** **06-01**

(52) **U.S. Cl.**
USPC **D6/379**; D6/368

(58) **Field of Classification Search**
USPC D6/334-336, 368, 371, 372, 373, 374,
D6/375, 379, 380, 716, 716.1, 716.2,
D6/716.3, 716.4
CPC A47C 4/00; A47C 4/03; A47C 4/04; A47C
4/024; A47C 4/05; A47C 4/028; A47C
5/00; A47C 5/005; A47C 7/16
See application file for complete search history.

(56) **References Cited**

U.S. PATENT DOCUMENTS

2,649,147 A * 8/1953 Sanford A47C 7/405
297/411.41
2,670,787 A 3/1954 Vandas et al.

D211,983 S * 8/1968 Kilper D6/373
3,756,656 A 9/1973 Weick
D390,022 S * 2/1998 Jus D6/368
5,795,027 A 8/1998 Howard et al.
D575,541 S * 8/2008 Hayes D6/379
D819,351 S * 6/2018 Peterson D6/368
10,136,730 B2 * 11/2018 Kim A47C 4/04

* cited by examiner

Primary Examiner — Mimoso De

(74) *Attorney, Agent, or Firm* — Plager Schack LLP;
Mark H. Plager; Michael J. O'Brien

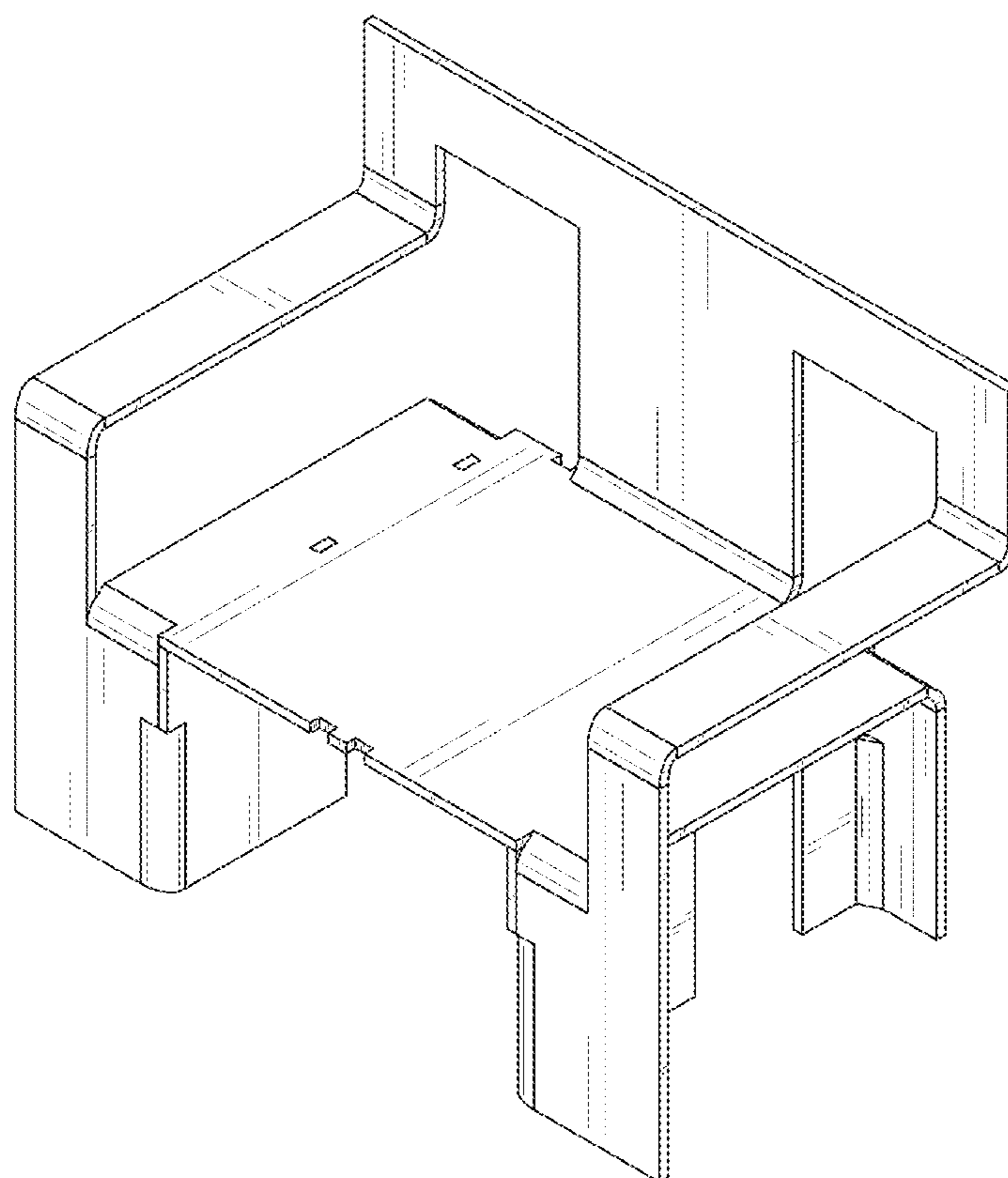
(57) **CLAIM**

The ornamental design for a chair, as shown and described.

DESCRIPTION

FIG. 1 is a front perspective view of a chair;
FIG. 2 is a front view thereof;
FIG. 3 is a rear view thereof;
FIG. 4 is a left side view thereof;
FIG. 5 is a right side view thereof;
FIG. 6 is a top view thereof; and,
FIG. 7 is a bottom view thereof.

1 Claim, 7 Drawing Sheets



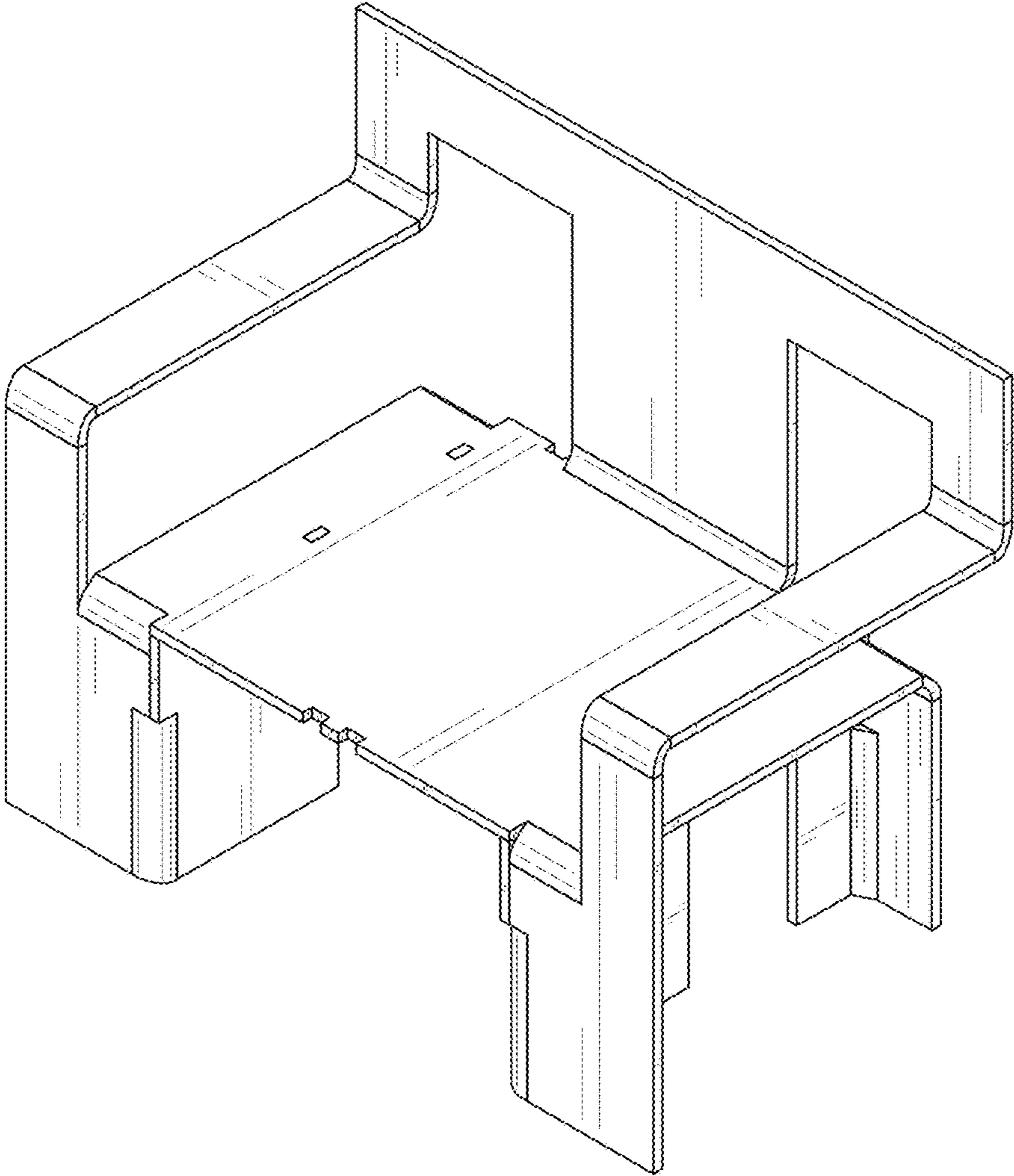


FIG. 1

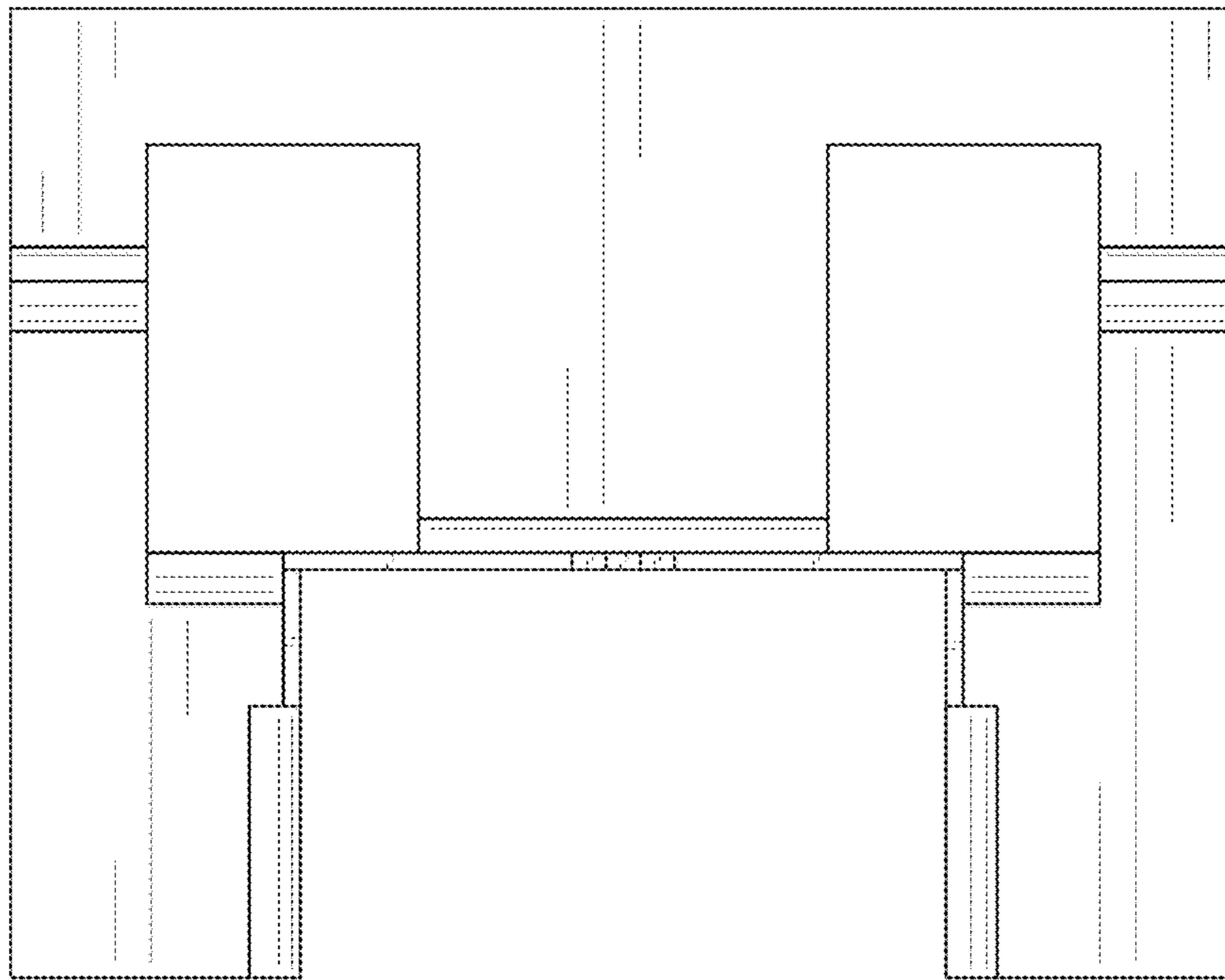


FIG. 2

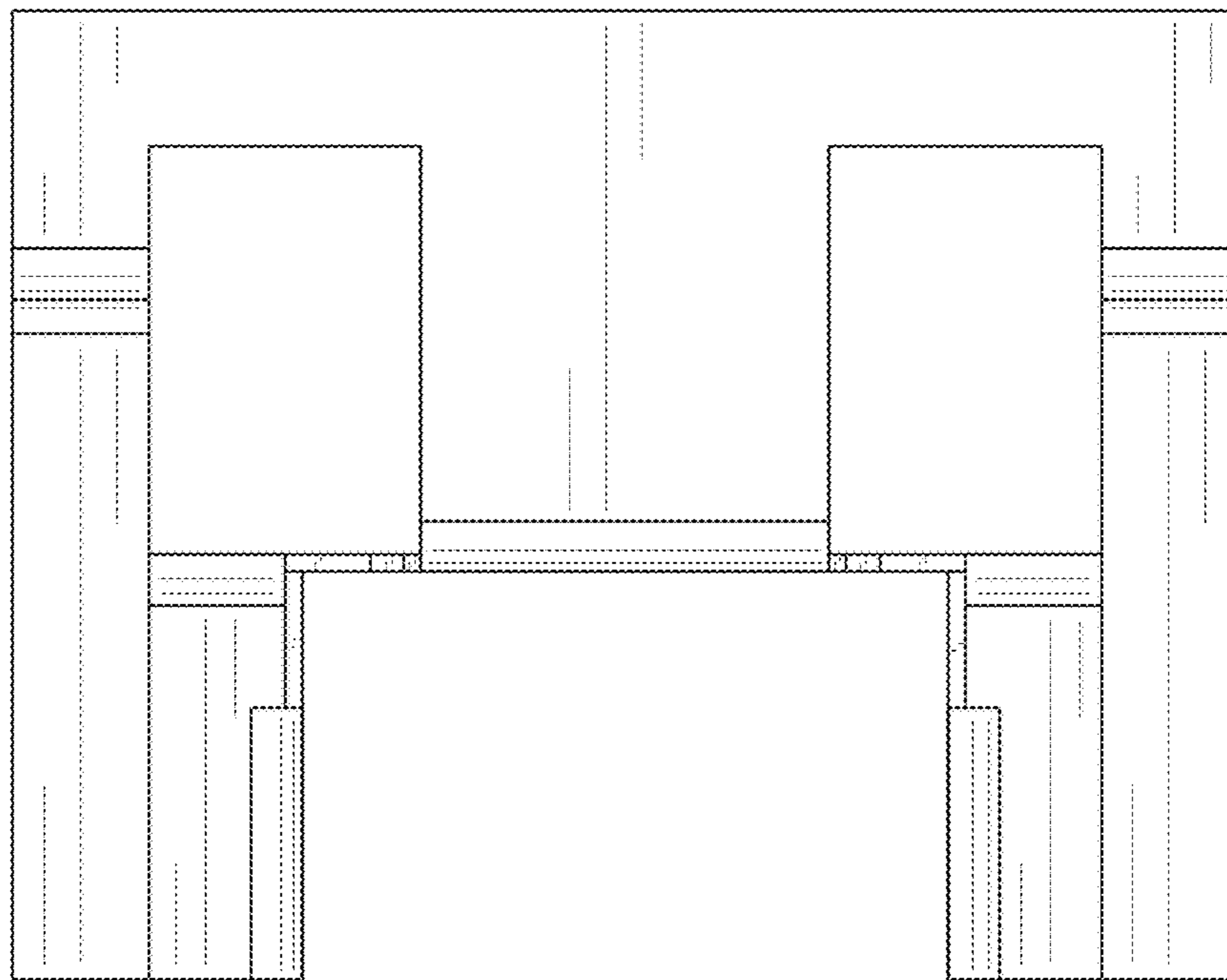


FIG. 3

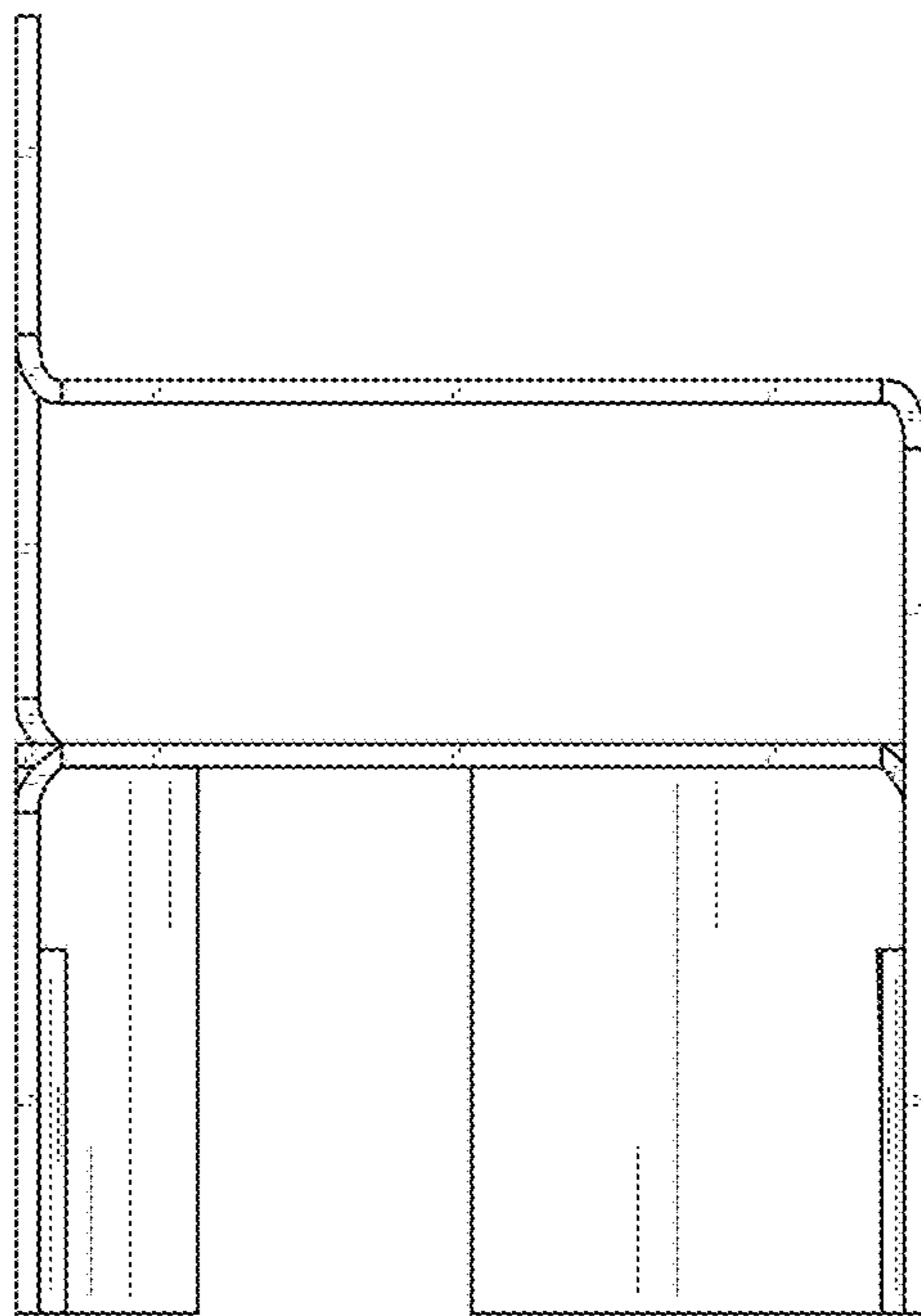


FIG. 4

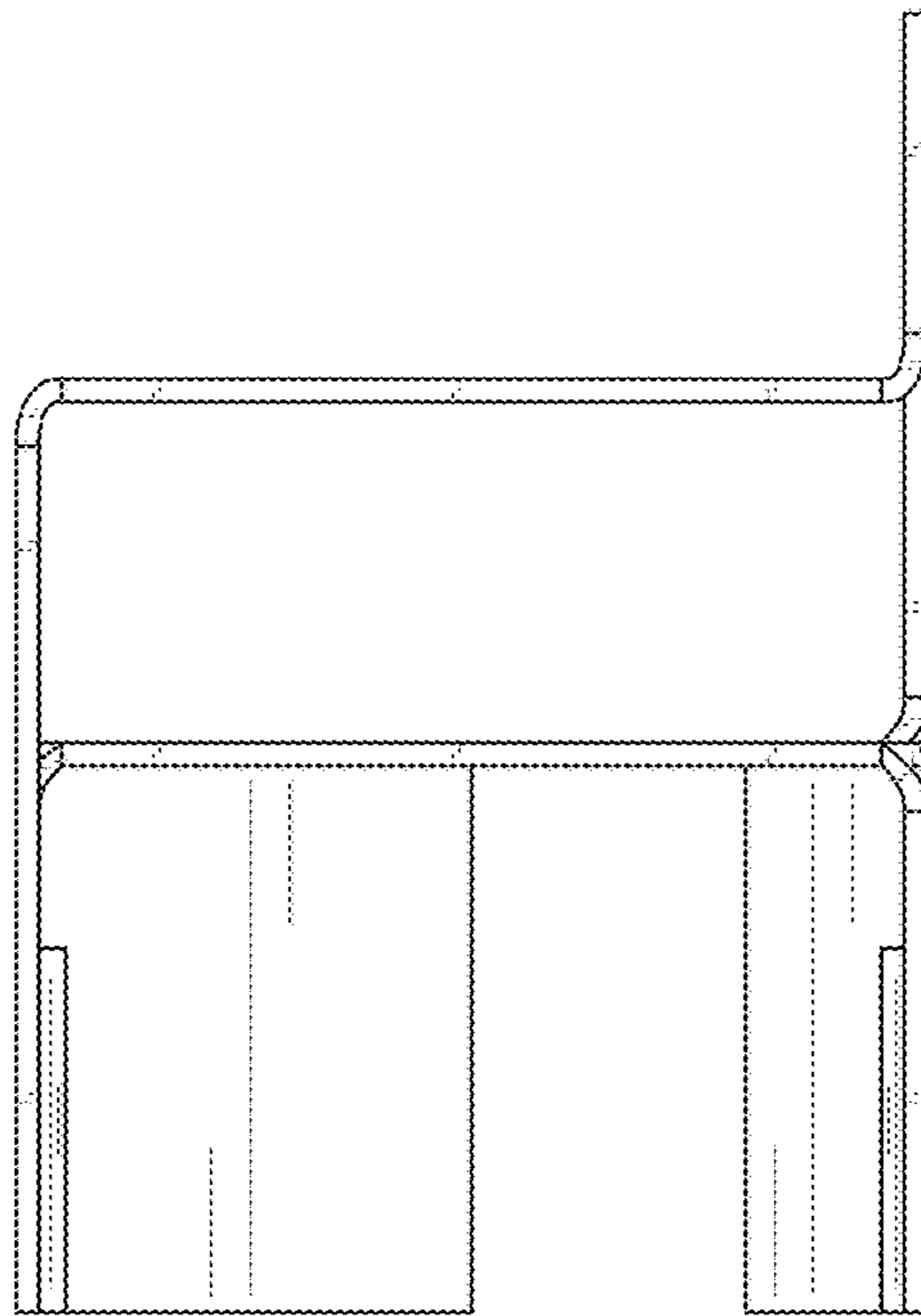


FIG. 5

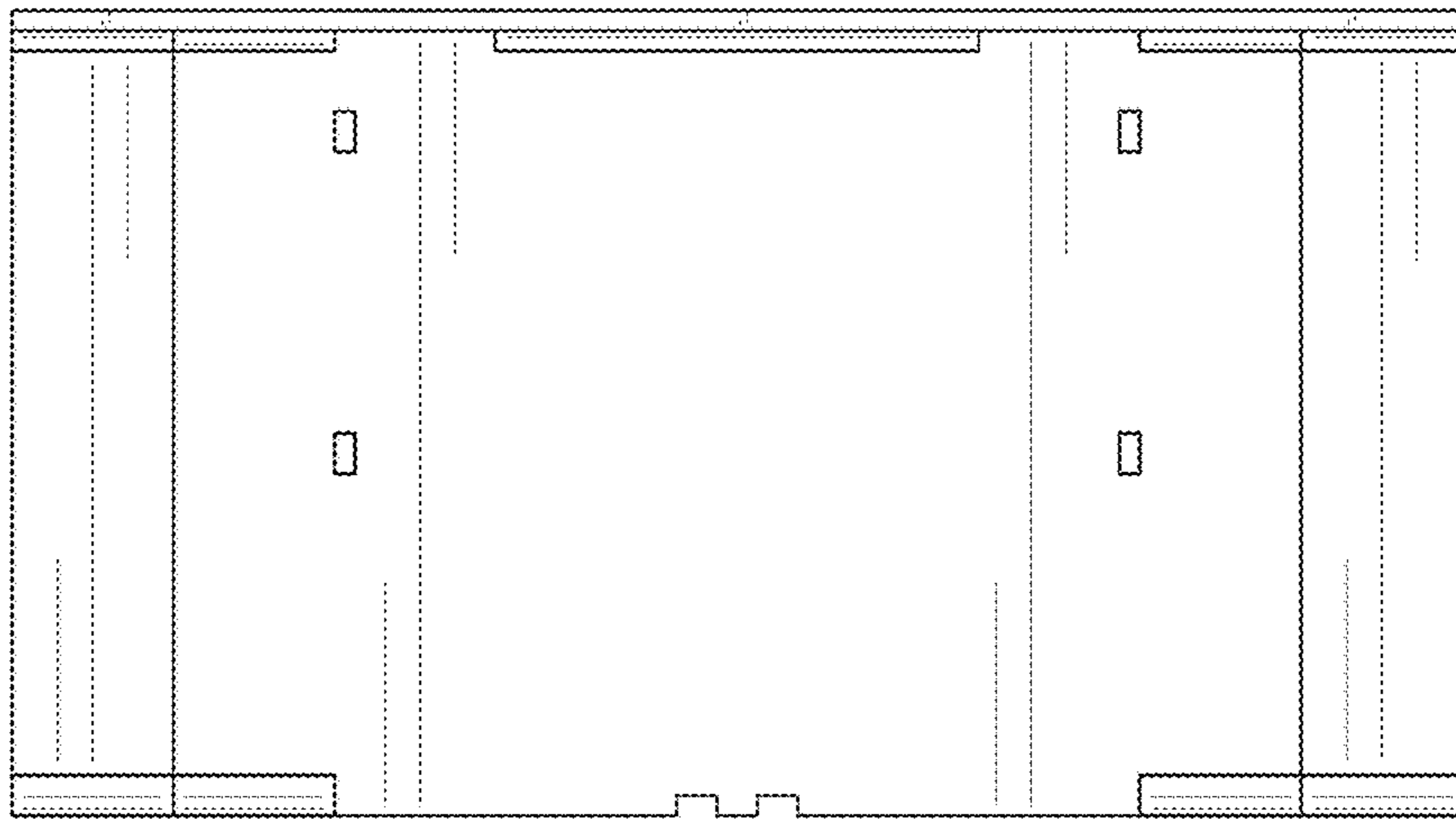


FIG. 6

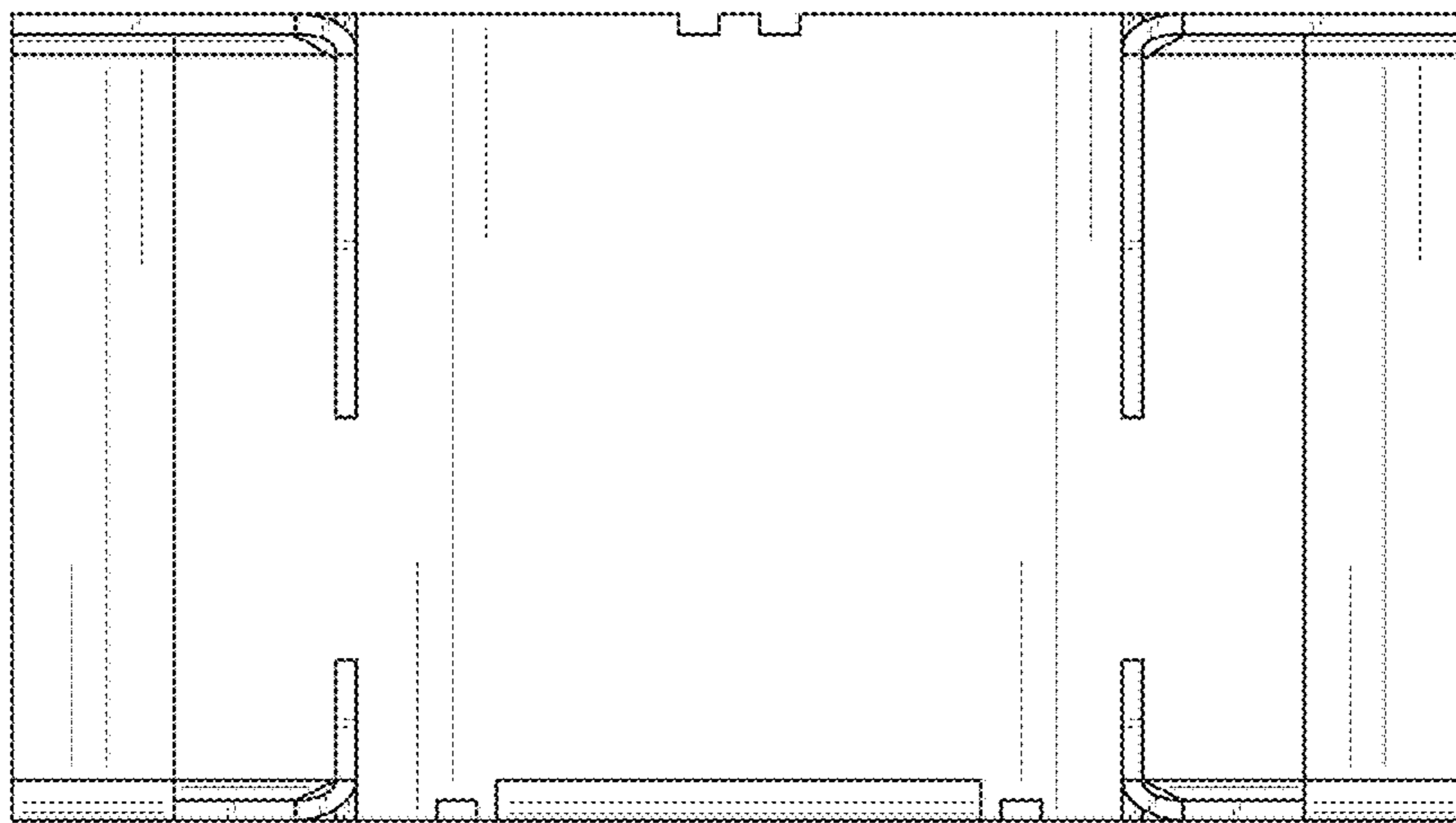


FIG. 7