



US00D867004S

(12) **United States Design Patent**  
**Ballendat**

(10) **Patent No.:** **US D867,004 S**

(45) **Date of Patent:** **\*\* Nov. 19, 2019**

(54) **OFFICE CHAIR**

(71) Applicant: **Dauphin Entwicklungs- u. Beteiligungs-GmbH**, Hersbruck (DE)

(72) Inventor: **Martin Ballendat**, Braunau (AT)

(73) Assignee: **Dauphin Entwicklungs- u. Beteiligungs-GmbH**, Hersbruck (DE)

(\*\*) Term: **15 Years**

(21) Appl. No.: **29/601,231**

(22) Filed: **Apr. 20, 2017**

(30) **Foreign Application Priority Data**

Oct. 21, 2016 (DE) ..... 40 2016 101 301

(51) **LOC (12) Cl.** ..... **06-01**

(52) **U.S. Cl.**  
USPC ..... **D6/366**

(58) **Field of Classification Search**  
USPC ..... D6/334-336, 364, 365, 366, 374, 379,  
D6/716, 716.1, 716.2, 716.4  
CPC .... A47C 7/38; A47C 7/02; A47C 7/46; A47C  
7/18; A47C 7/004; A47C 4/028; A47C  
7/54

See application file for complete search history.

(56) **References Cited**

U.S. PATENT DOCUMENTS

|              |         |         |       |        |
|--------------|---------|---------|-------|--------|
| D535,112 S * | 1/2007  | Bennett | ..... | D6/366 |
| D649,795 S * | 12/2011 | Izawa   | ..... | D6/366 |
| D670,927 S * | 11/2012 | Hurford | ..... | D6/366 |
| D688,483 S * | 8/2013  | Aratani | ..... | D6/366 |
| D795,602 S * | 8/2017  | Neil    | ..... | D6/366 |
| D799,843 S * | 10/2017 | Chen    | ..... | D6/366 |

\* cited by examiner

*Primary Examiner* — Mimosa De

(74) *Attorney, Agent, or Firm* — McGlew and Tuttle, P.C.

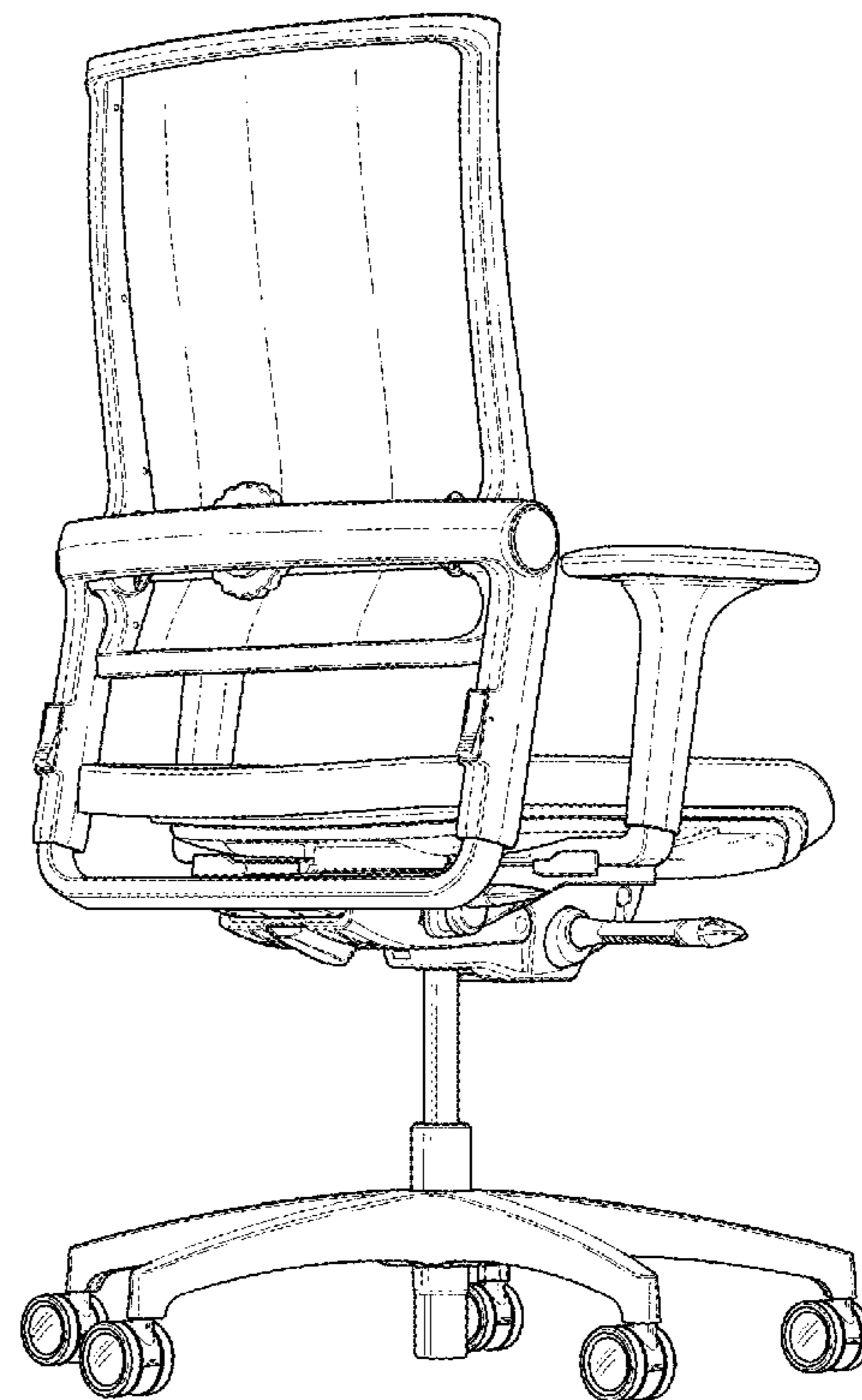
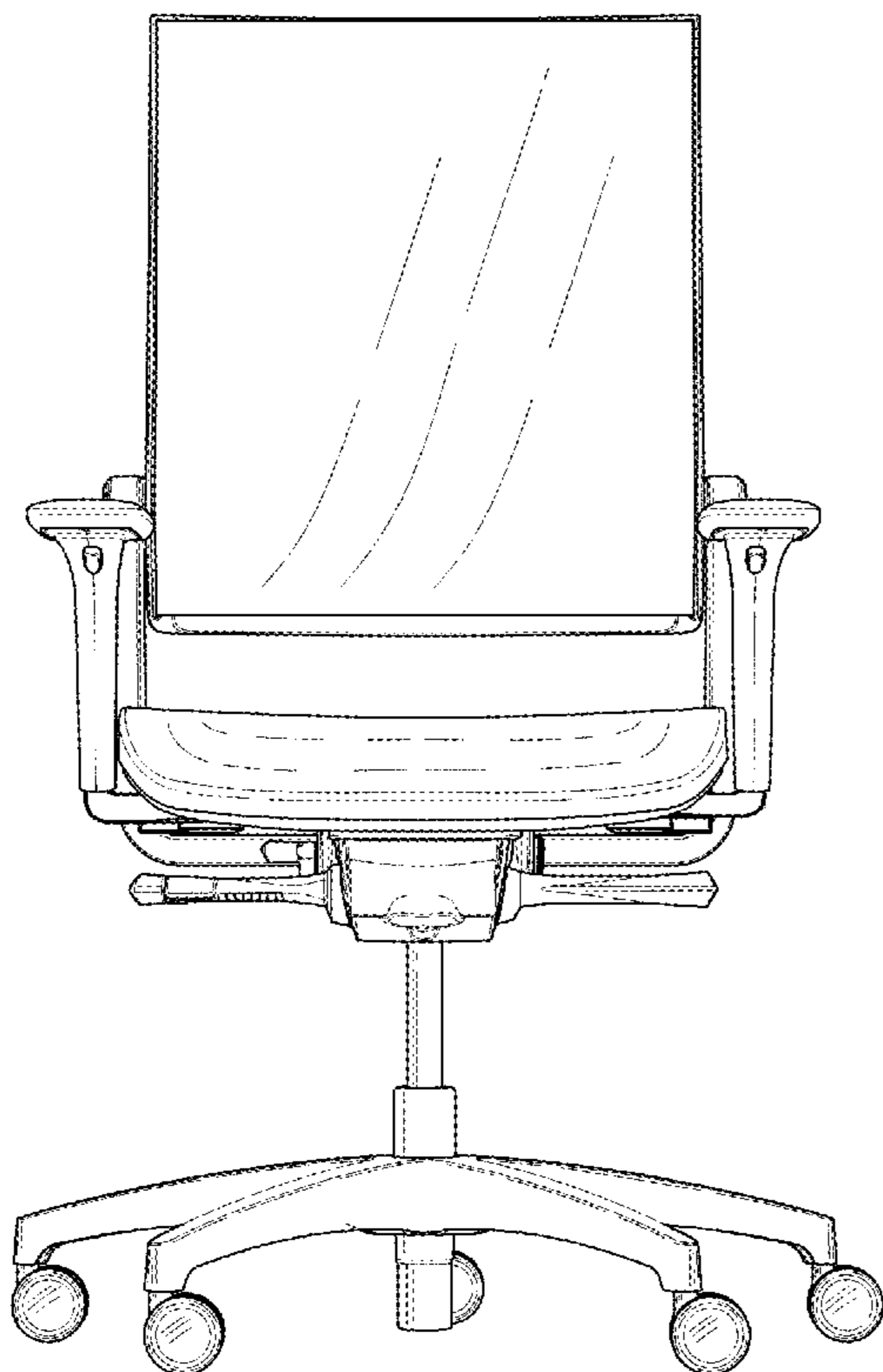
(57) **CLAIM**

The ornamental design for an office chair, as shown and described.

**DESCRIPTION**

FIG. 1 is a front view of an office chair, showing my new design;  
FIG. 2 is a rear view thereof;  
FIG. 3 is a top view thereof;  
FIG. 4 is a bottom view thereof;  
FIG. 5 is a lateral view (right side) thereof;  
FIG. 6 is a lateral view (left side) thereof; and,  
FIG. 7 is a perspective view thereof.  
The broken lines shown in the figures form no part of the claimed design.

**1 Claim, 7 Drawing Sheets**



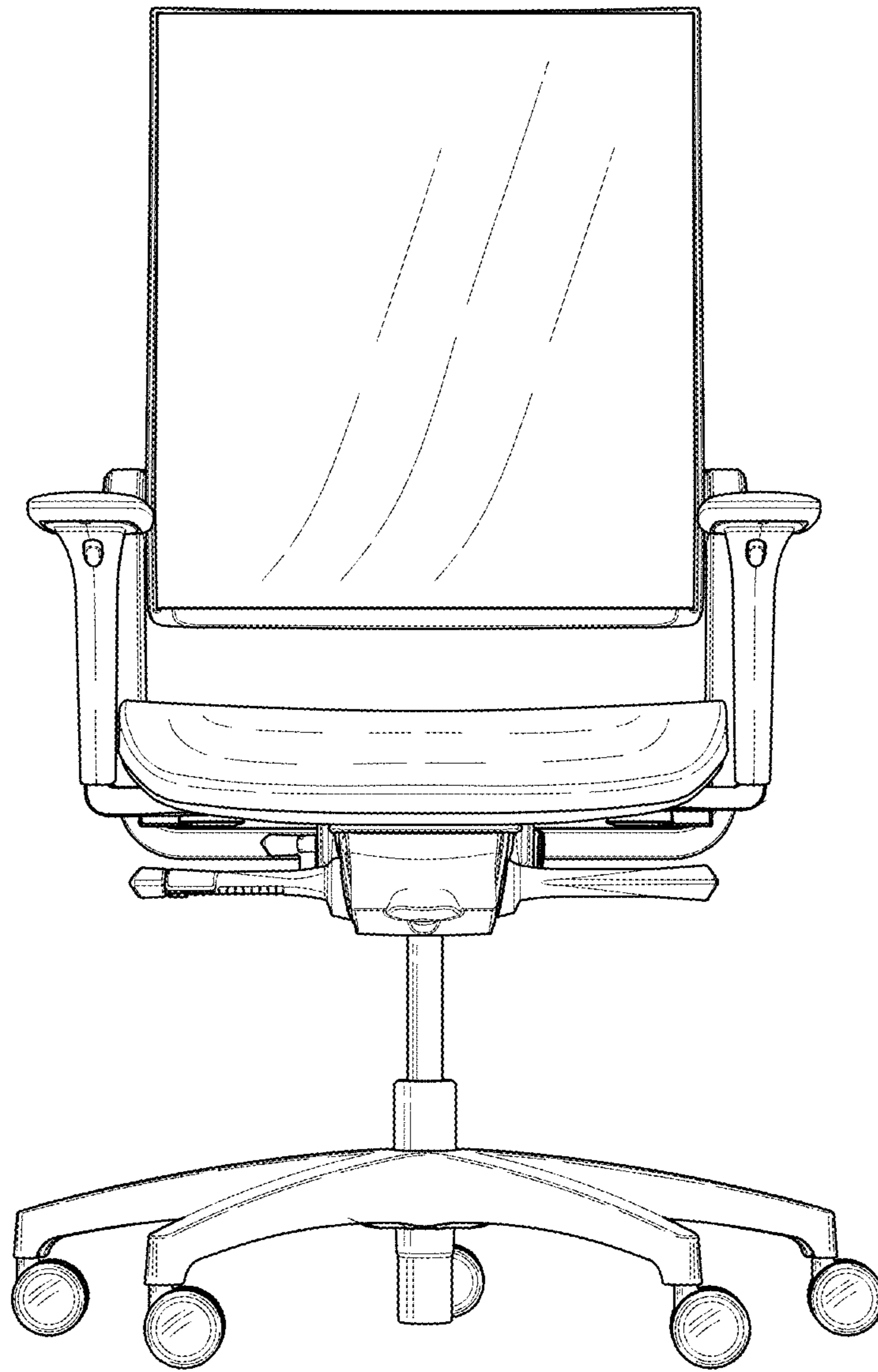


Fig. 1

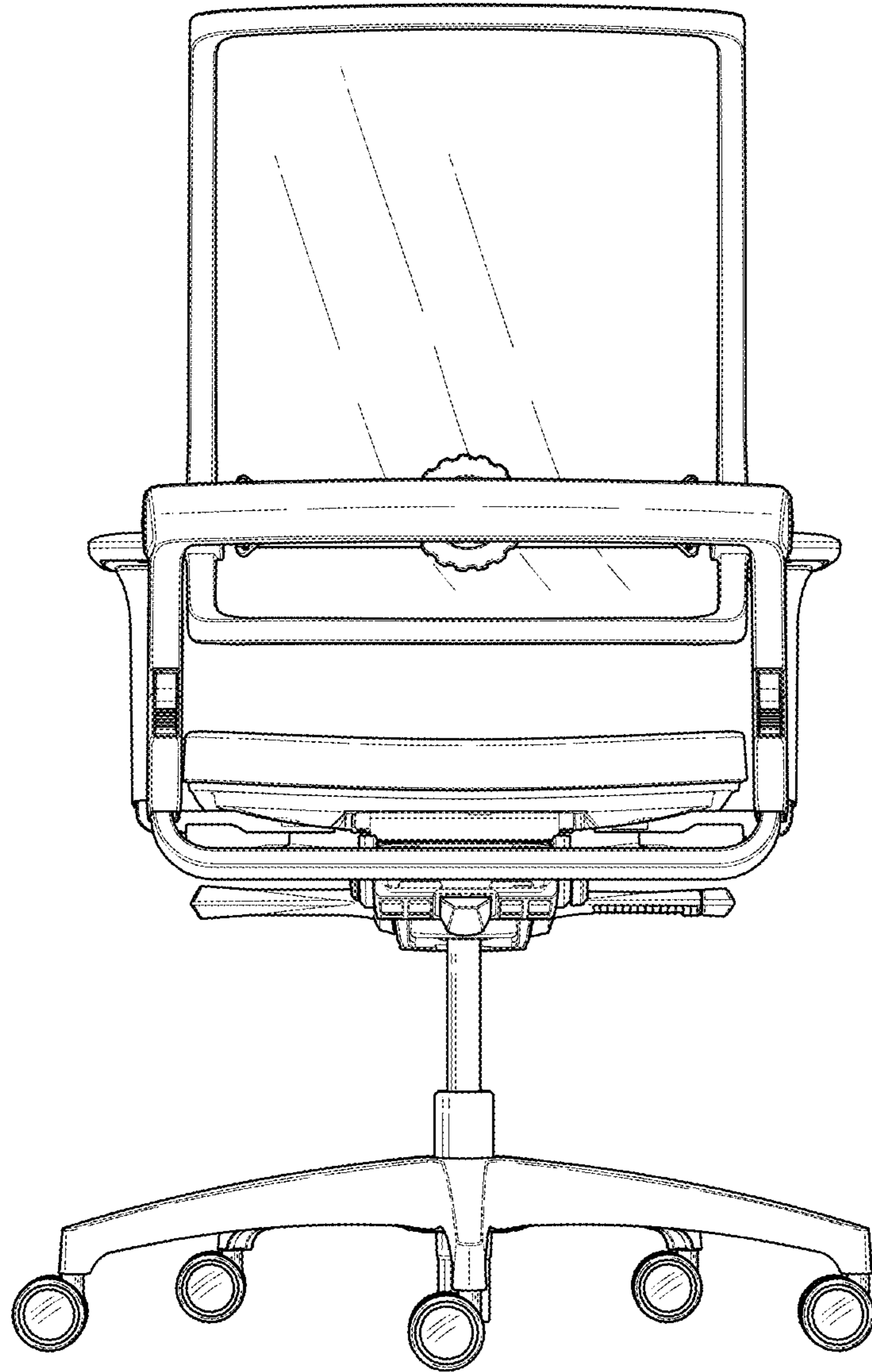


Fig. 2

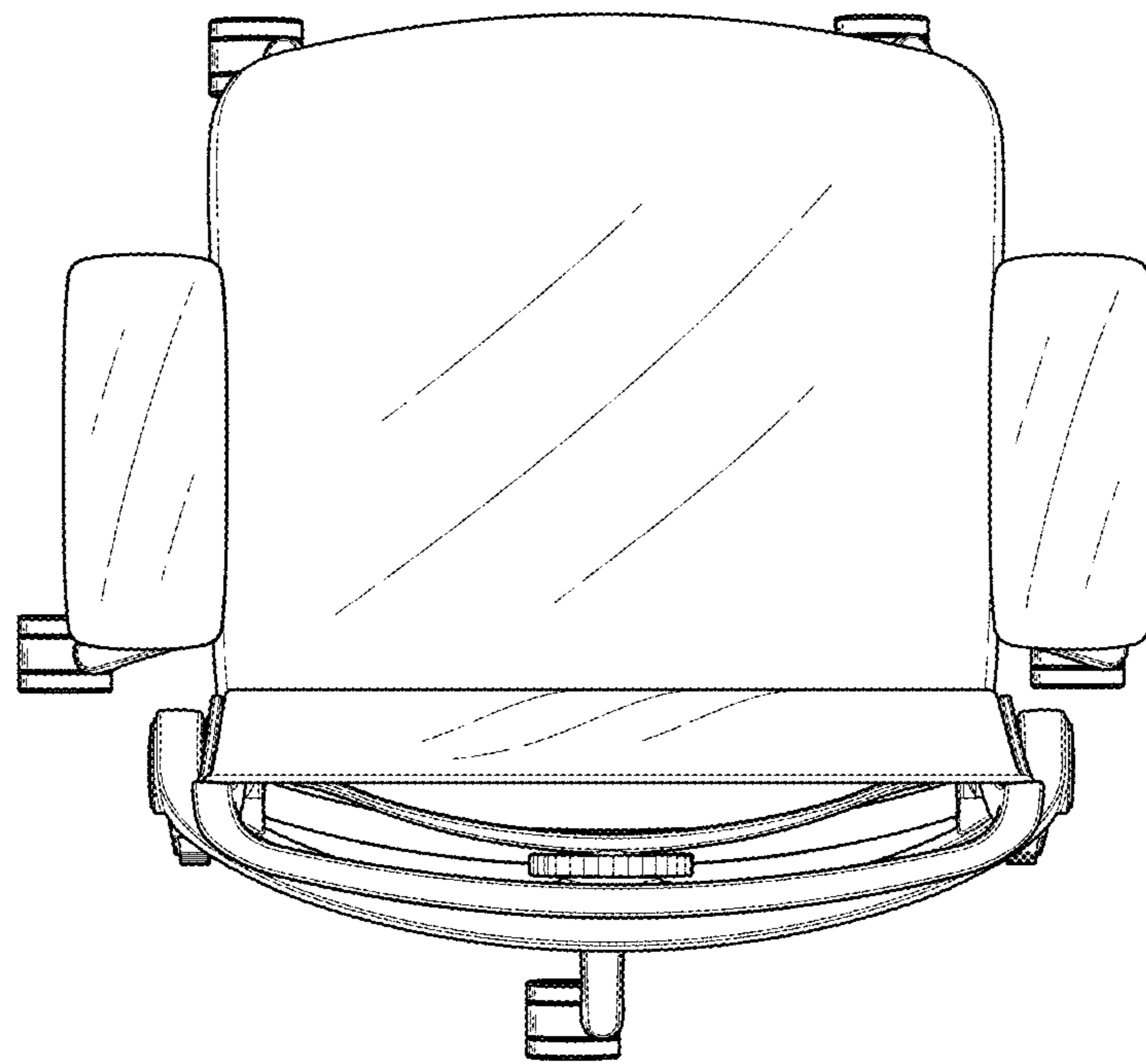


Fig. 3

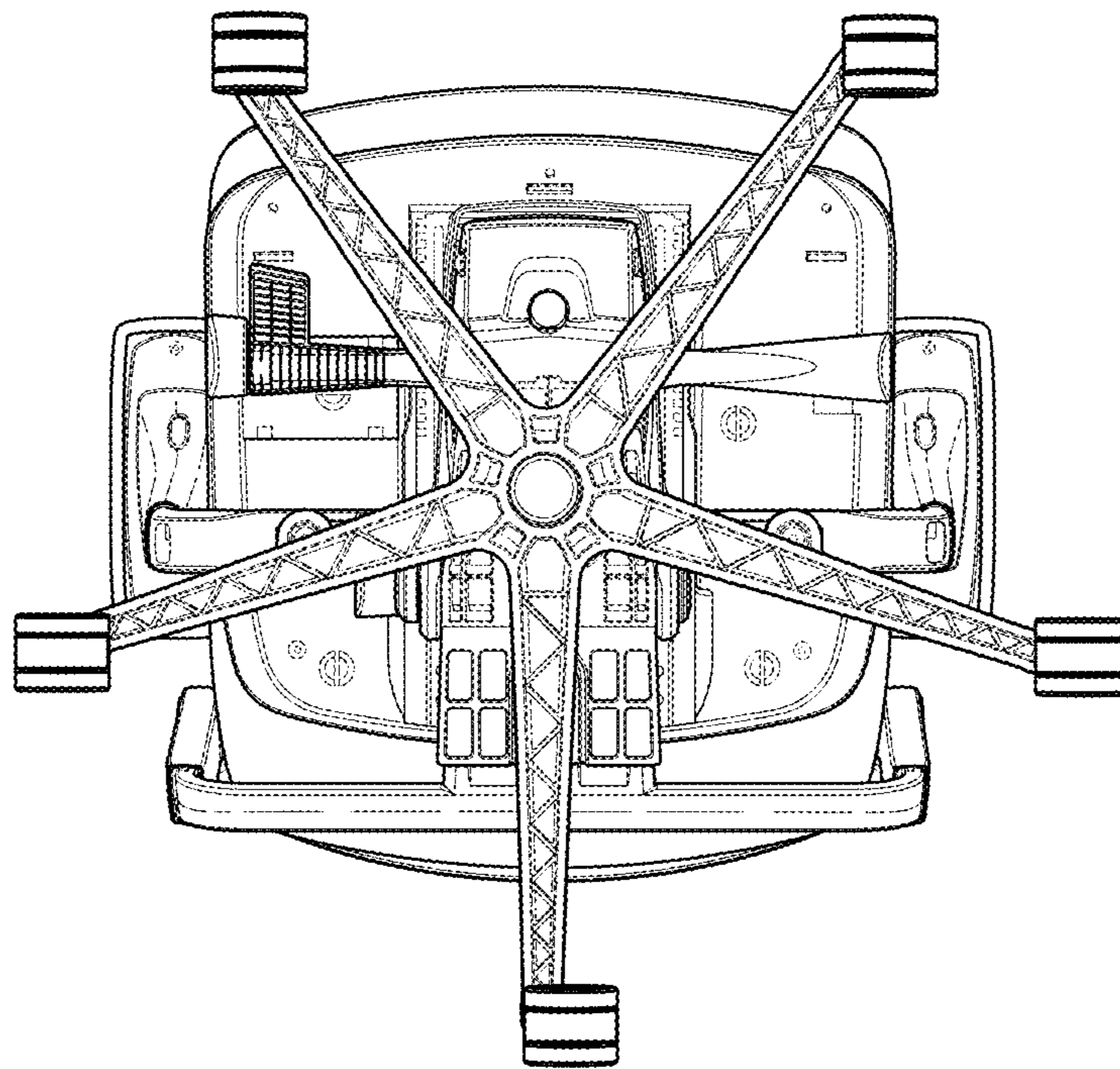


Fig. 4

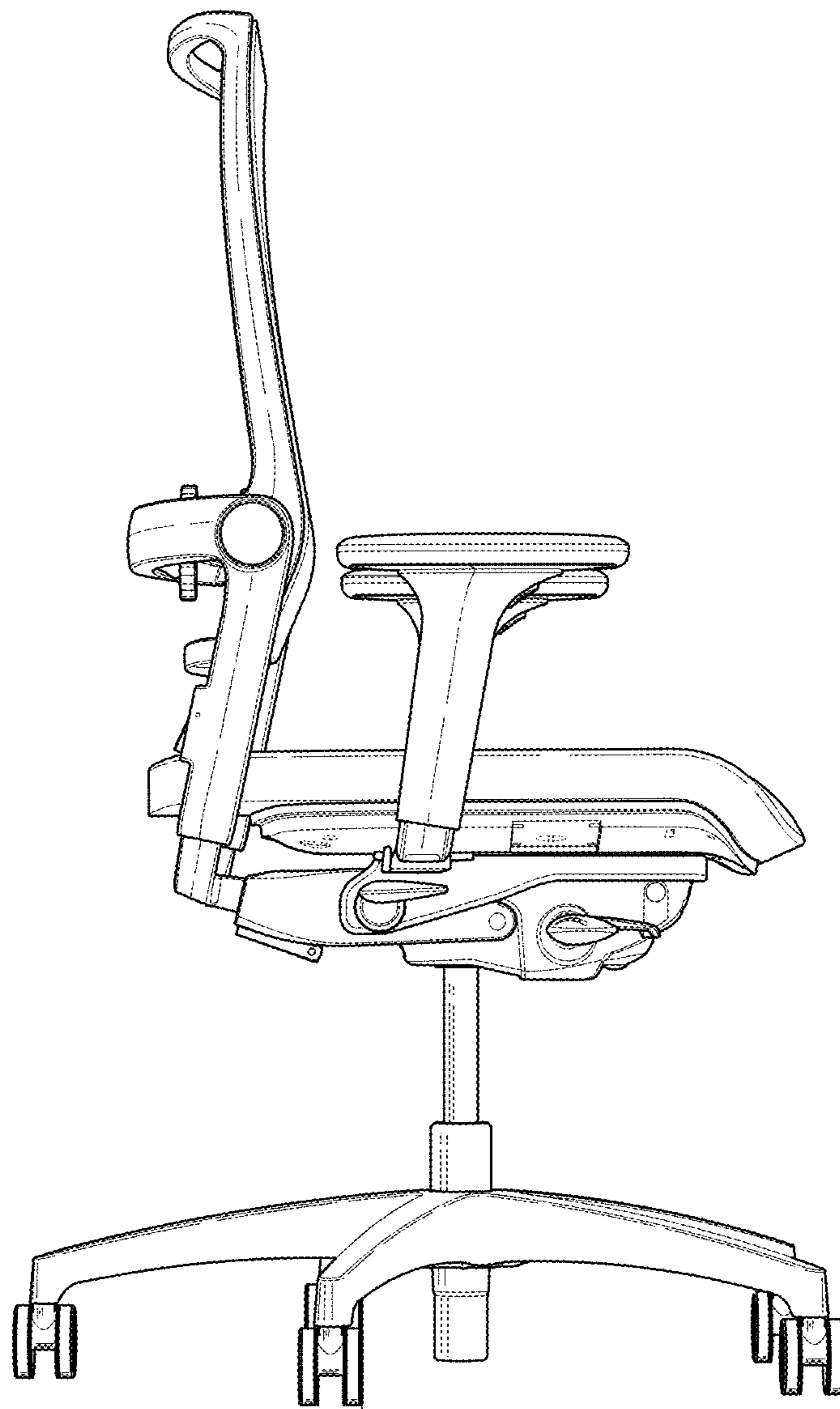


Fig. 5

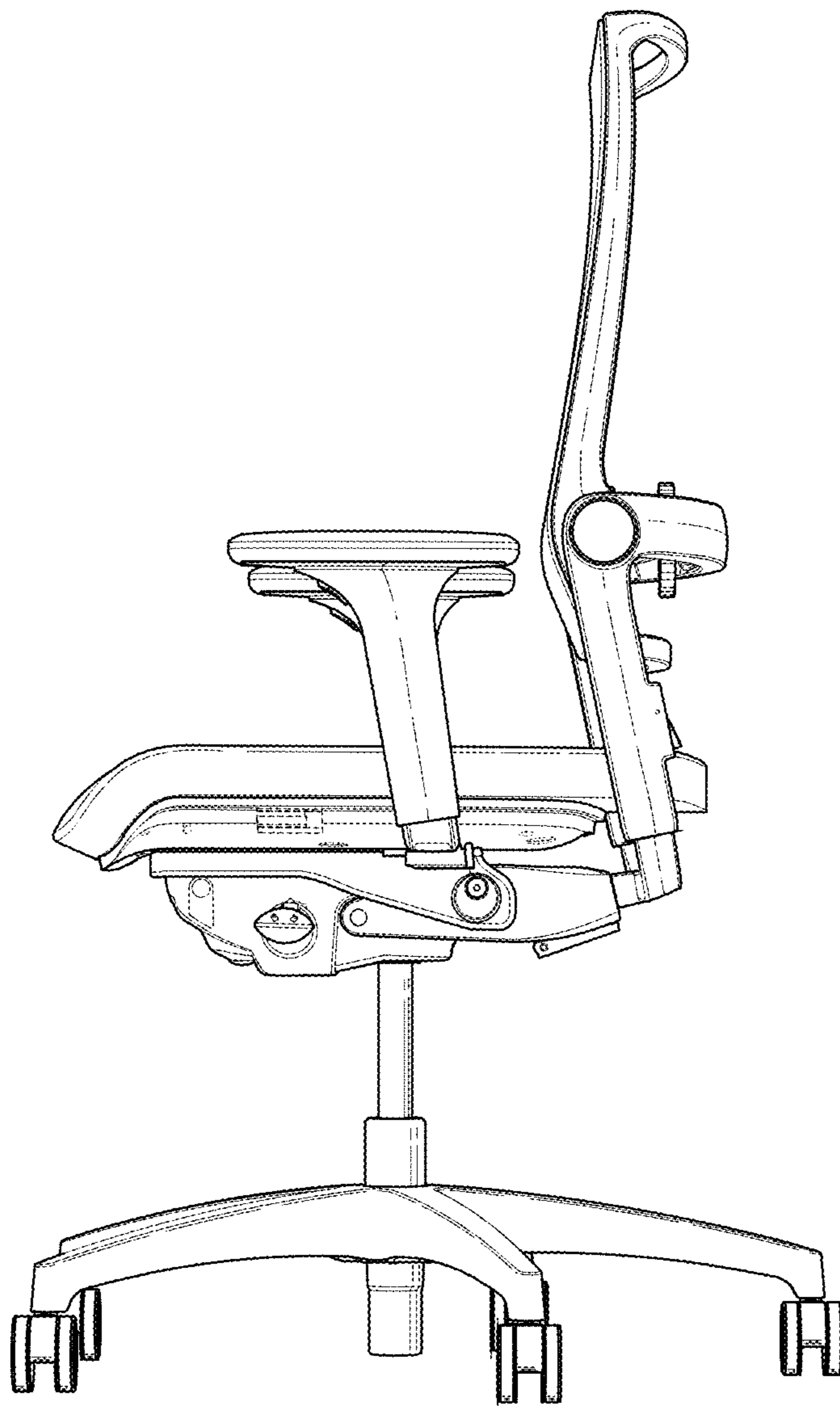


Fig. 6

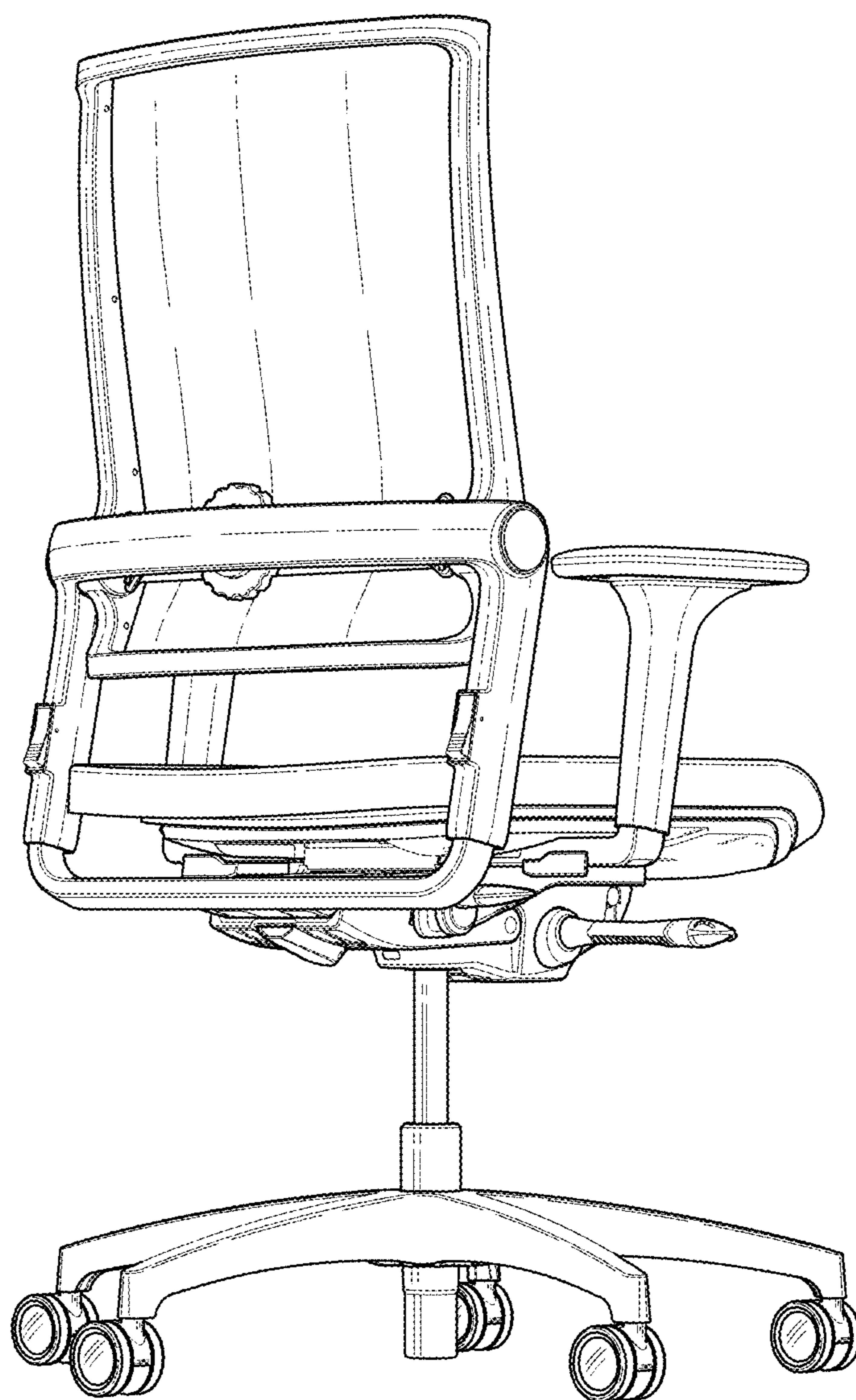


Fig. 7