



US00D866999S

(12) **United States Design Patent** (10) **Patent No.:** **US D866,999 S**
Koldova (45) **Date of Patent:** **** Nov. 19, 2019**

(54) **CHAIR**
(71) Applicant: **TON a.s.**, Bystrice pod Hostýnem (CZ)
(72) Inventor: **Lucie Koldova**, Prague (CZ)
(73) Assignee: **TON a.s.**, Bystrice pod Hostýnem (CZ)
(**) Term: **15 Years**
(21) Appl. No.: **29/655,656**
(22) Filed: **Jul. 5, 2018**

(30) **Foreign Application Priority Data**
Jan. 9, 2018 (EM) 004637056-0002
(51) **LOC (12) Cl.** **06-01**
(52) **U.S. Cl.**
USPC **D6/349**
(58) **Field of Classification Search**
USPC D6/334-338, 340-343, 349-353, 355,
D6/364-366, 596, 601, 604, 691-691.9,
D6/692-692.6, 716-716.1; D25/65
CPC A47B 7/00-02; A47C 11/00; A47C 12/00;
A47C 16/02-04; A47C 9/00-105
See application file for complete search history.

(56) **References Cited**
U.S. PATENT DOCUMENTS
D145,541 S * 9/1946 Sky D6/355
D482,909 S * 12/2003 Neggers D6/692.3
D564,244 S * 3/2008 Ikaheimo D6/349
D601,829 S * 10/2009 Lim D6/716.1
D635,374 S * 4/2011 Flannigan D6/355
D704,974 S * 5/2014 Lee D6/349

D730,652 S * 6/2015 Nigro D6/349
D806,412 S * 1/2018 Hasegawa D6/349
D818,729 S * 5/2018 Robinson D6/349
D832,605 S * 11/2018 Robinson D6/349
D832,629 S * 11/2018 Grossinger D6/692
D849,430 S * 5/2019 Bray D6/349
2017/0276159 A1 * 9/2017 Robinson F16B 12/48

OTHER PUBLICATIONS

Chips ottoman. [online] Retrieved Jun. 10, 2019 from URL: <https://www.ton.eu/en/products/detail/chips-ottoman/>.*

* cited by examiner

Primary Examiner — Vy N Koenig
(74) *Attorney, Agent, or Firm* — Fross Zelnick Lehrman & Zissu, P.C.; Charles T. J. Weigell, Esq.

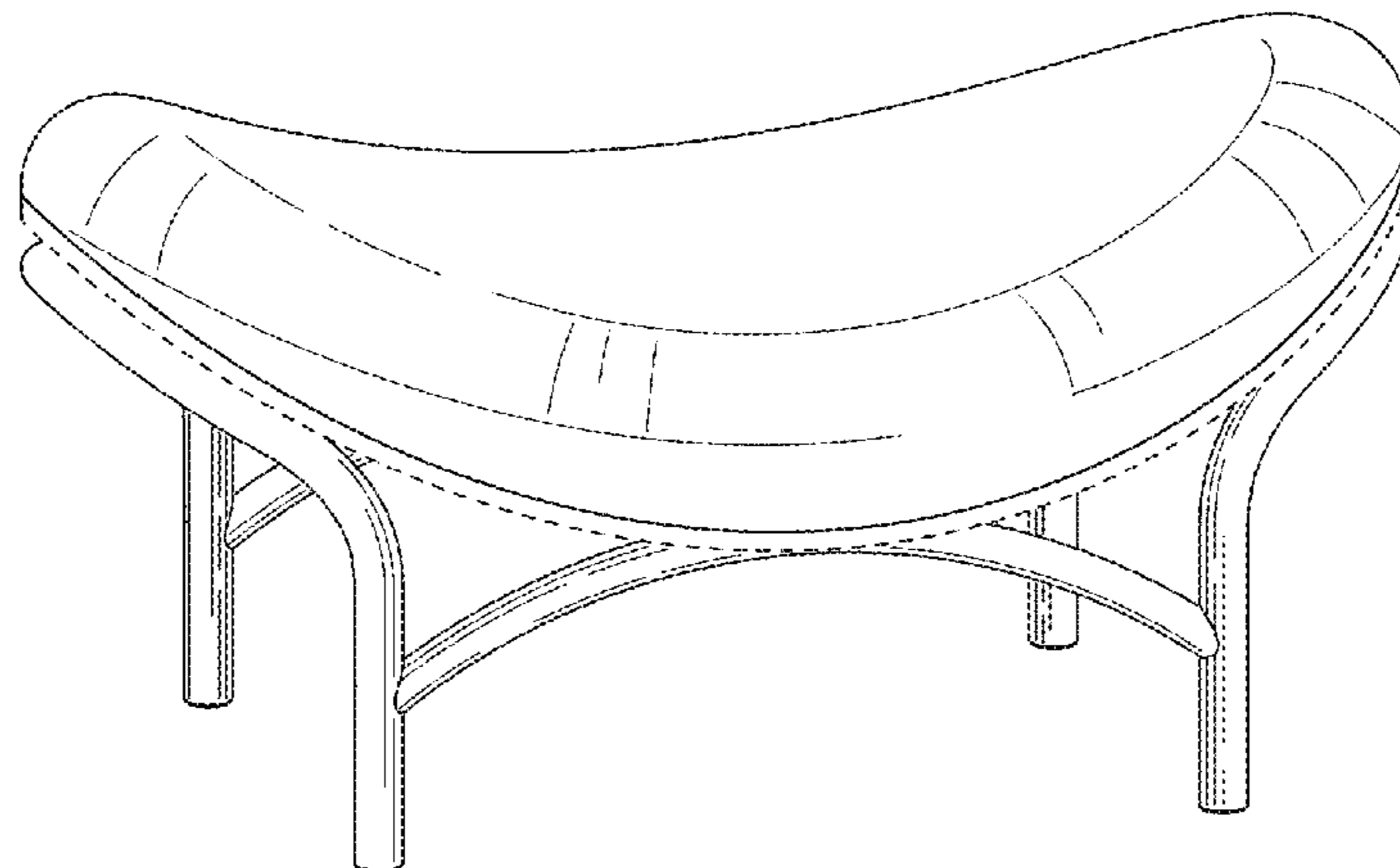
(57) **CLAIM**

The ornamental design for a chair, as shown and described.

DESCRIPTION

FIG. 1 is a front perspective view of a chair showing my new design;
FIG. 2 is a side view thereof (with the opposite side being the same);
FIG. 3 is a front view thereof (with the back view being the same);
FIG. 4 is a top view thereof; and,
FIG. 5 is a bottom view thereof.
The broken lines in the drawings depict portions of the chair that form no part of the claimed design.

1 Claim, 5 Drawing Sheets



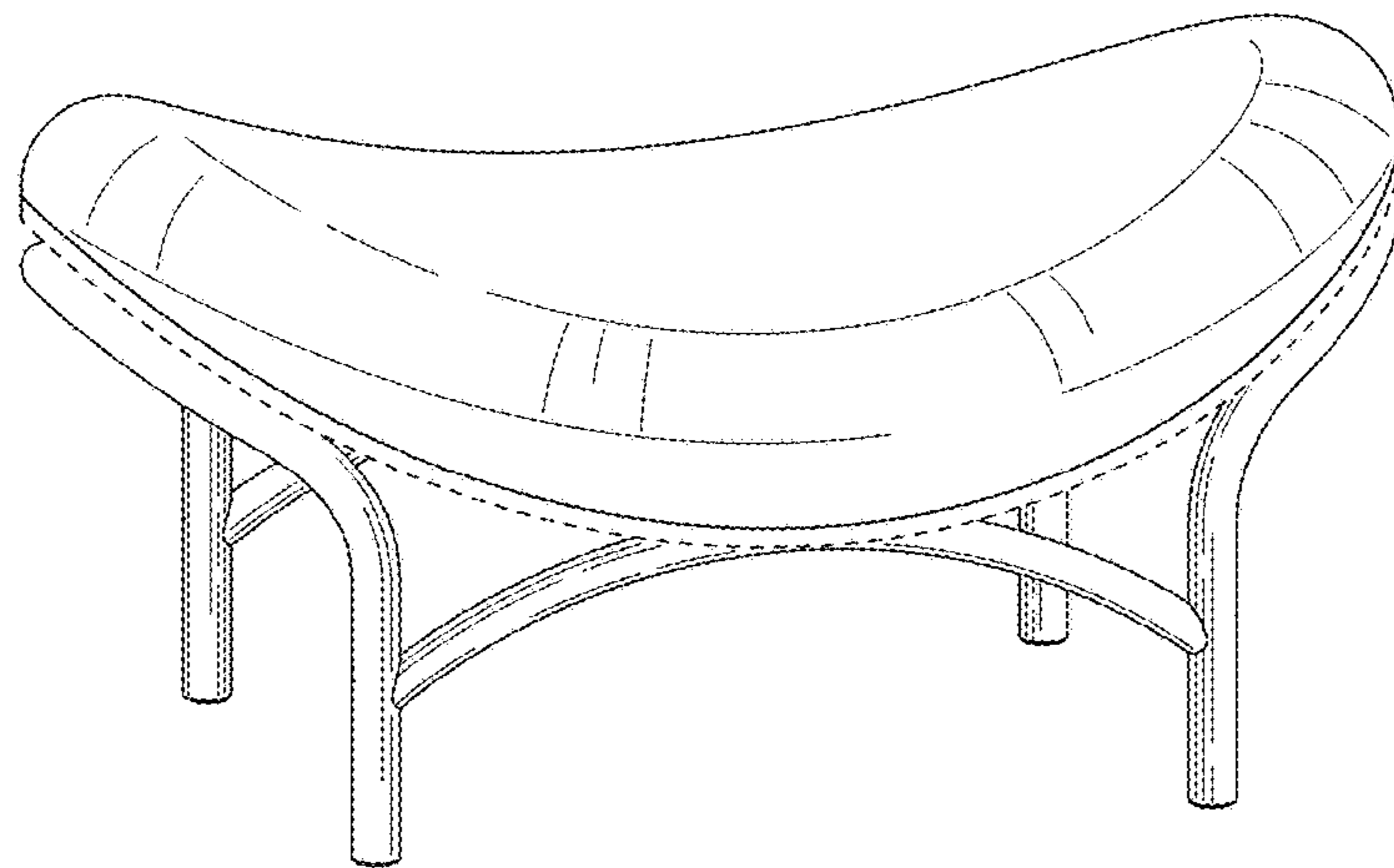


FIG. 1

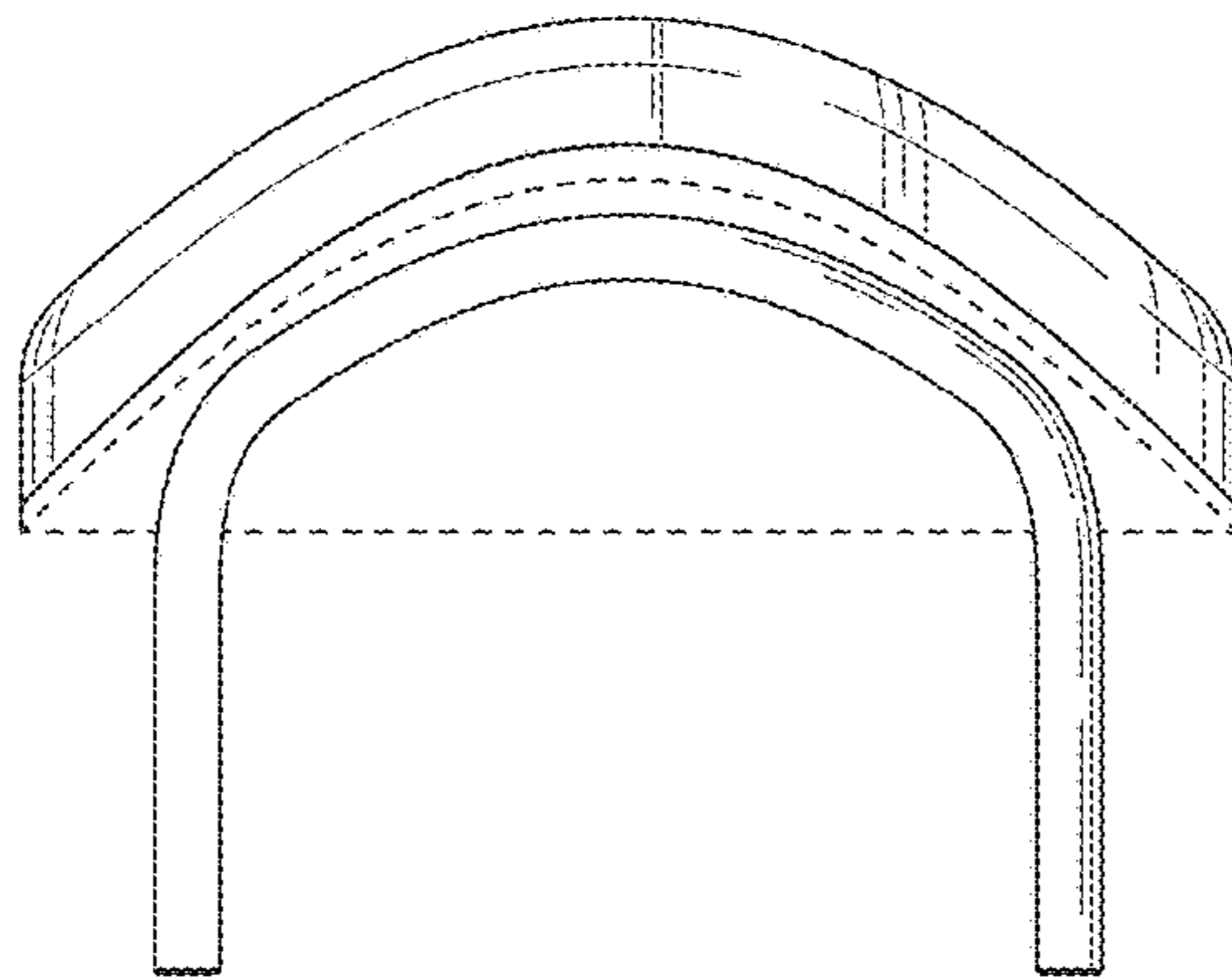


FIG. 2

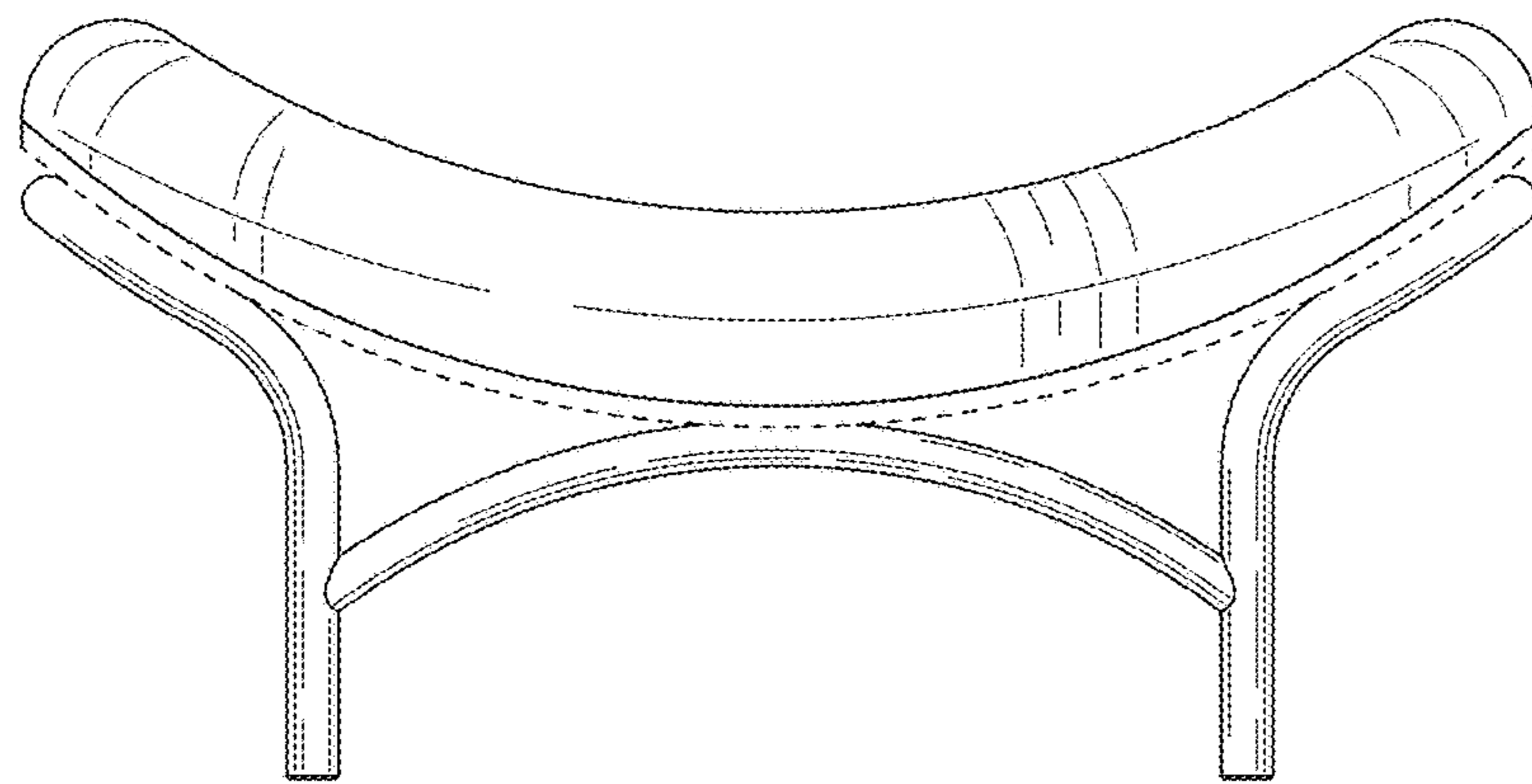


FIG. 3

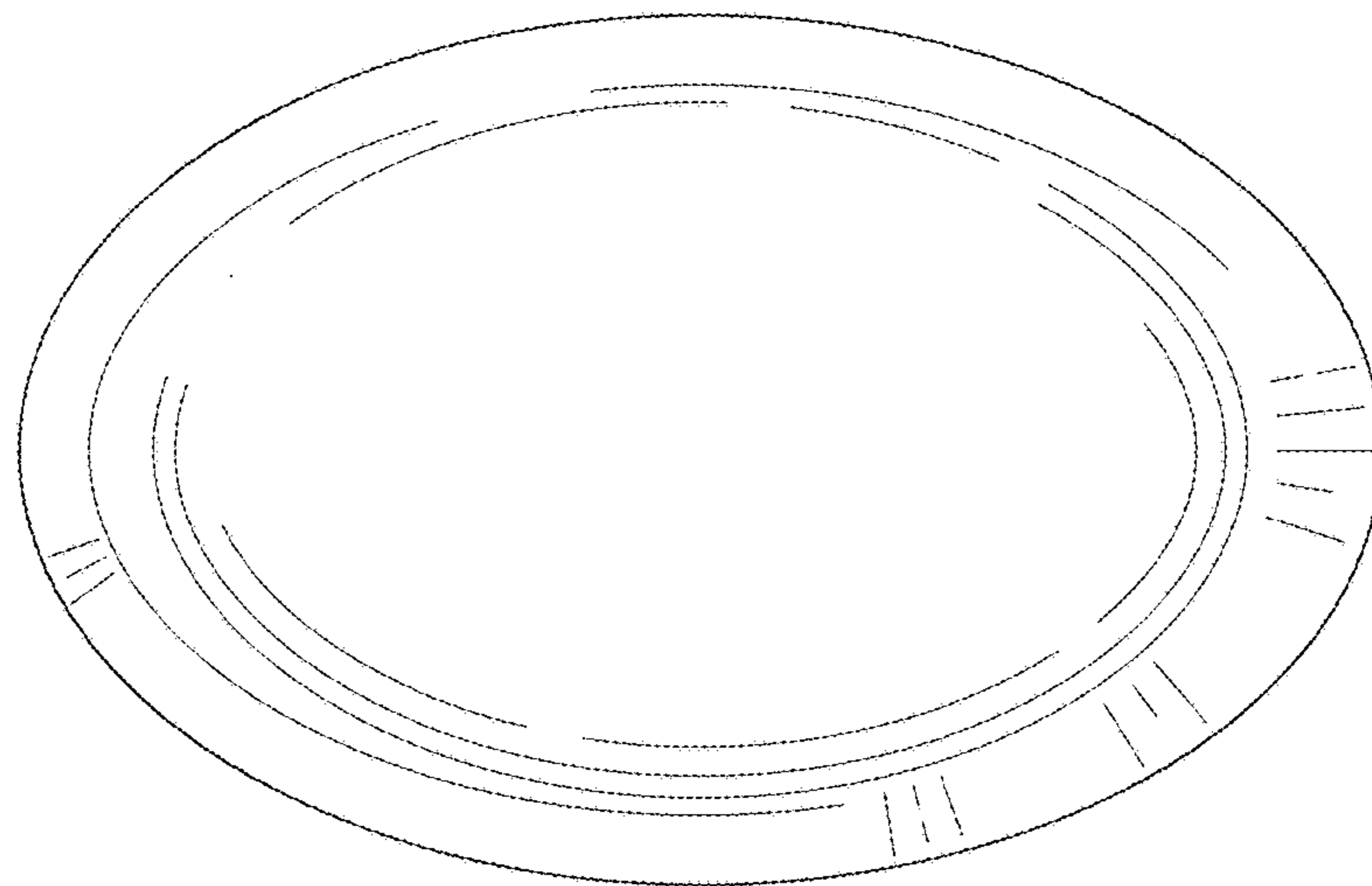


FIG. 4

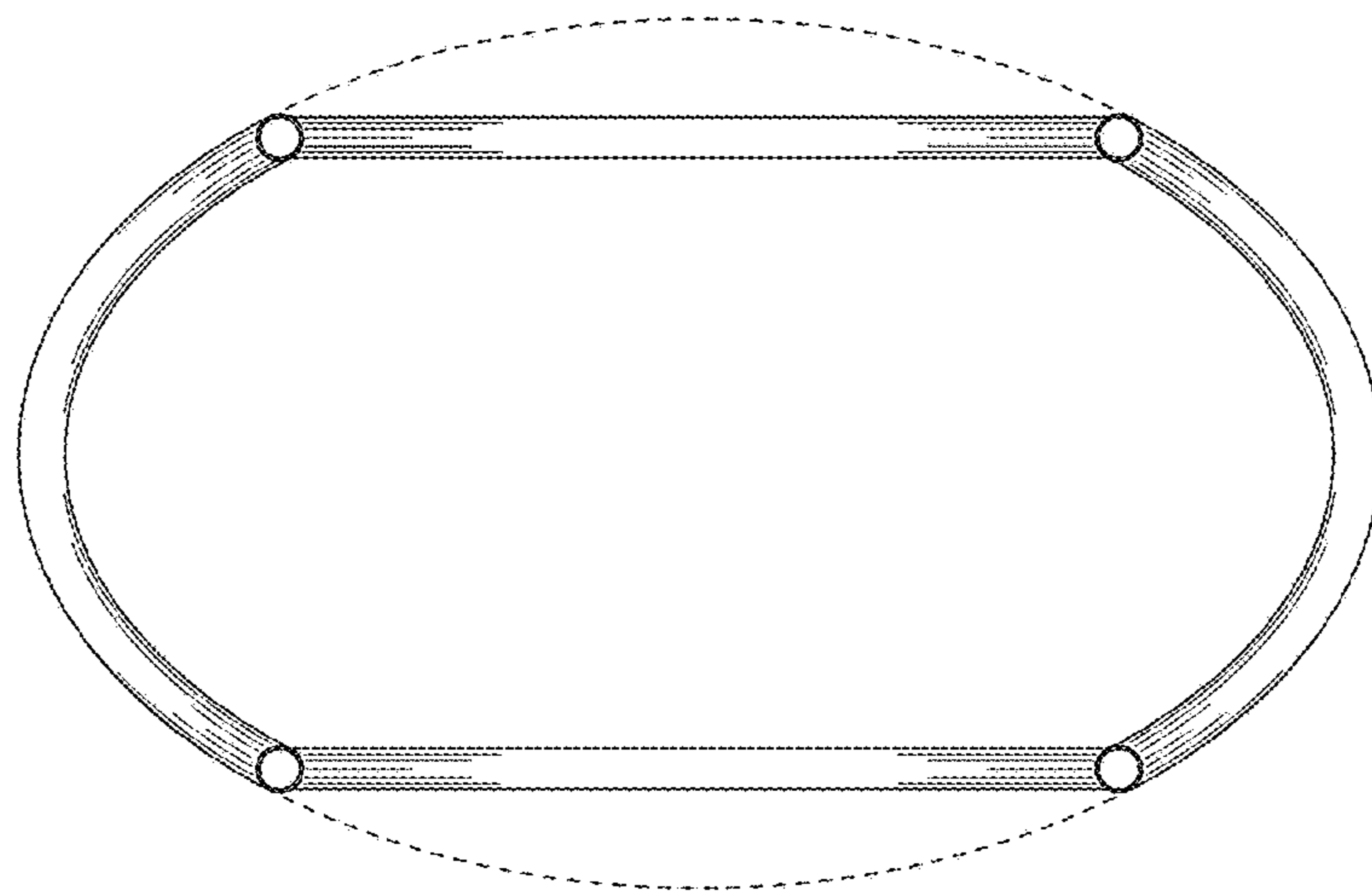


FIG. 5