

US00D866997S

(12) **United States Design Patent**
Clute et al.

(10) **Patent No.:** **US D866,997 S**

(45) **Date of Patent:** **** Nov. 19, 2019**

(54) **CHILD BOOSTER SEAT**
(71) Applicant: **Keezio Group, LLC**, Alamo, CA (US)
(72) Inventors: **Davis Clute**, Alamo, CA (US); **Jason Clute**, Alamo, CA (US)
(73) Assignee: **Keezio Group, LLC**, Alamo, CA (US)
(**) Term: **15 Years**

D623,426 S * 9/2010 Ramer D6/333
D727,645 S * 4/2015 Zink D6/333
D740,574 S * 10/2015 Weber D6/333
D850,805 S * 6/2019 Cui D6/333

* cited by examiner

Primary Examiner — Abraham Bahta
(74) *Attorney, Agent, or Firm* — Daniel C. Pierron;
Widerman Malek, PL

(21) Appl. No.: **29/659,966**
(22) Filed: **Aug. 14, 2018**
(51) **LOC (12) Cl.** **06-01**
(52) **U.S. Cl.**
USPC **D6/333**

(57) **CLAIM**

The ornamental design for a child booster seat, as shown and described.

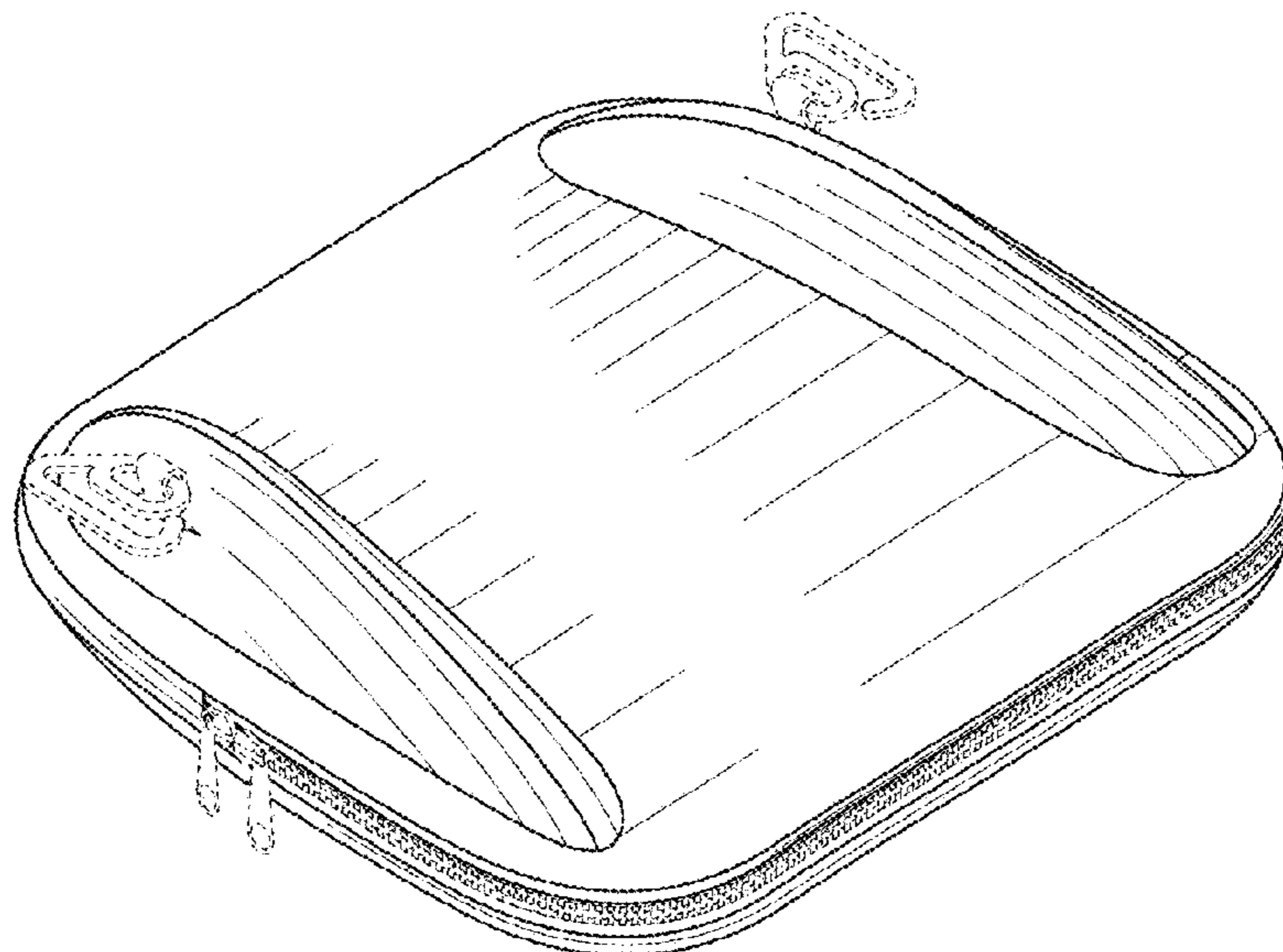
(58) **Field of Classification Search**
USPC D6/333–336, 361, 371, 374, 375, 381,
D6/716.1, 716.4, 596, 601, 355, 715,
D6/715.2, 716; 297/250.1, 255, 256.15,
297/256.1, 183.1–183.4, 1, 4, 93, 180.11,
297/195.13, 397, 452.24, 452.26, 452.48
CPC A47C 7/24; A47C 7/36; A47C 7/20; A47C
7/18; A47C 5/06; A47C 17/02; A47C
4/028; B60N 2/70; A47G 9/00; A47G
9/068; A47G 9/1009; A47G 9/1027;
A47G 9/1063
See application file for complete search history.

DESCRIPTION

FIG. 1 is a perspective view of a child booster seat according to the present invention.
FIG. 2 is a front elevation view of the child booster seat illustrated in FIG. 1.
FIG. 3 is a rear elevation view of the child booster seat illustrated in FIG. 1.
FIG. 4 is a left-side elevation view of the child booster seat illustrated in FIG. 1.
FIG. 5 is a right-side elevation view of the child booster seat illustrated in FIG. 1.
FIG. 6 is a top plan view of the child booster seat illustrated in FIG. 1; and,
FIG. 7 is a bottom plan view of the child booster seat illustrated in FIG. 1.
The broken lines depict portions of the child booster seat that form no part of the claimed invention.

(56) **References Cited**
U.S. PATENT DOCUMENTS
D274,587 S * 7/1984 Gilkes D6/333
D558,990 S * 1/2008 Glance D6/333

1 Claim, 5 Drawing Sheets



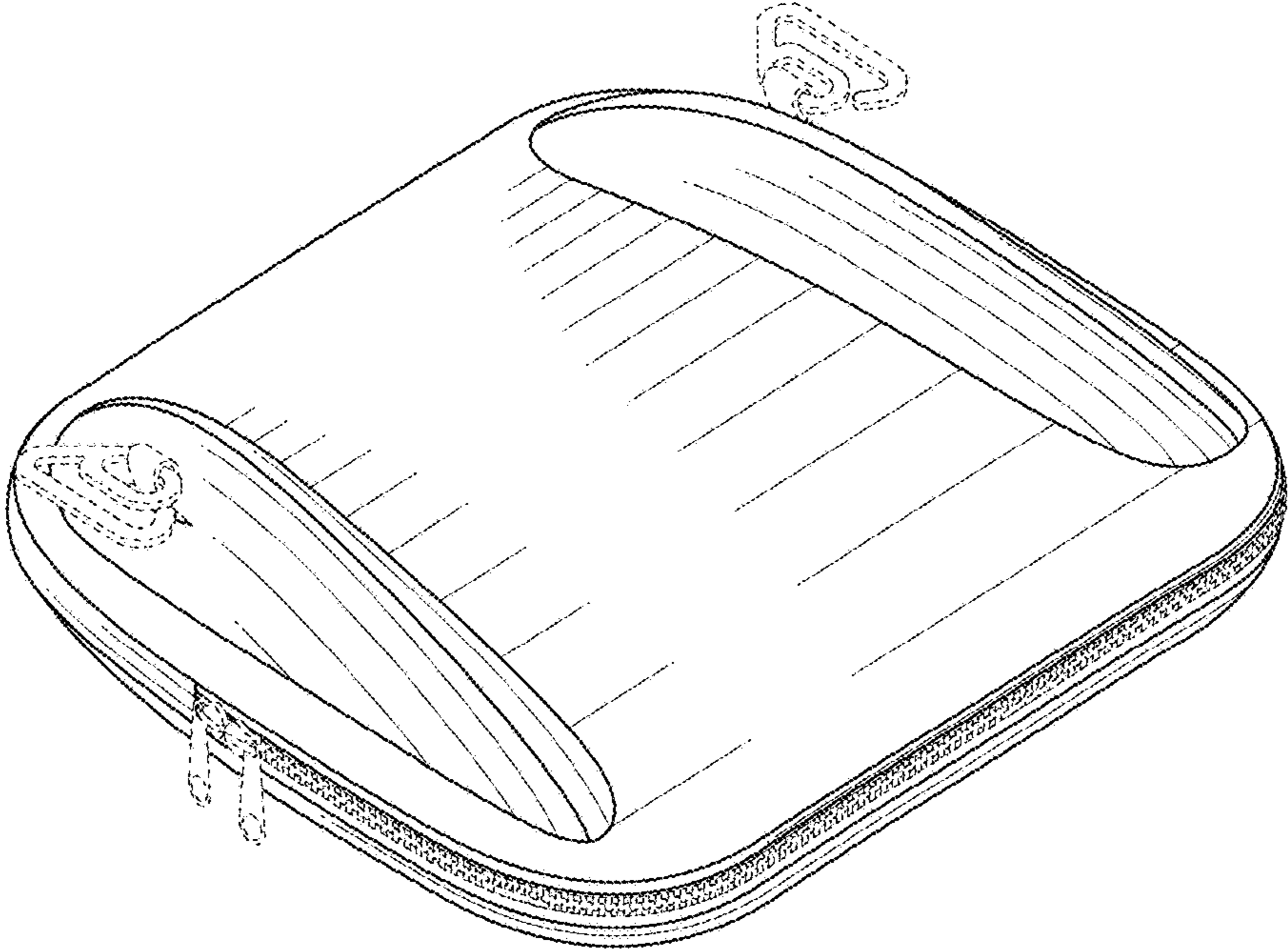


FIG. 1

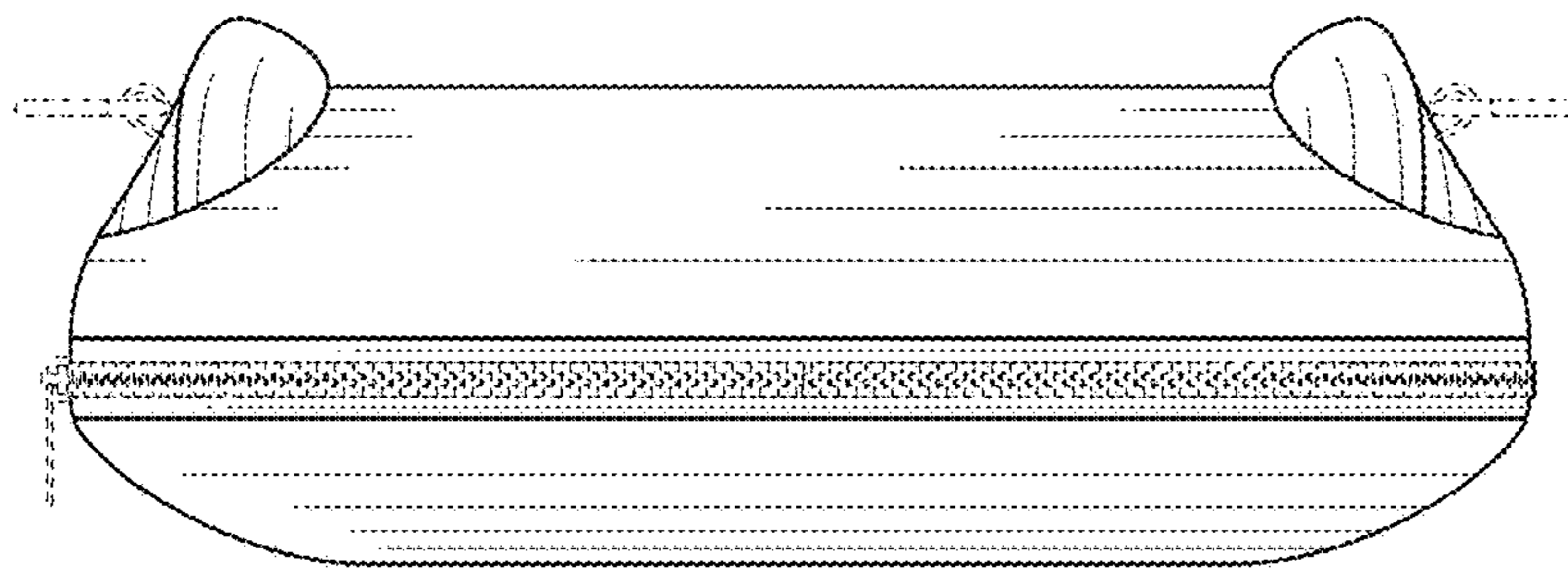


FIG. 2

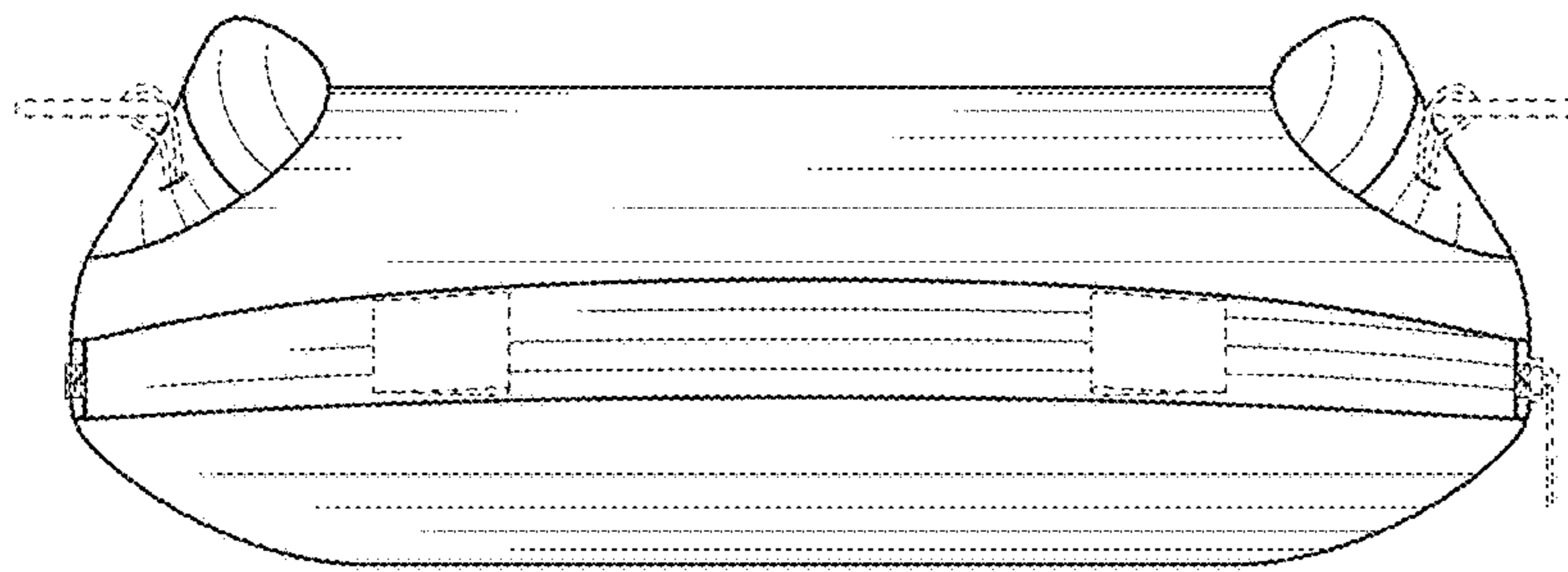


FIG. 3

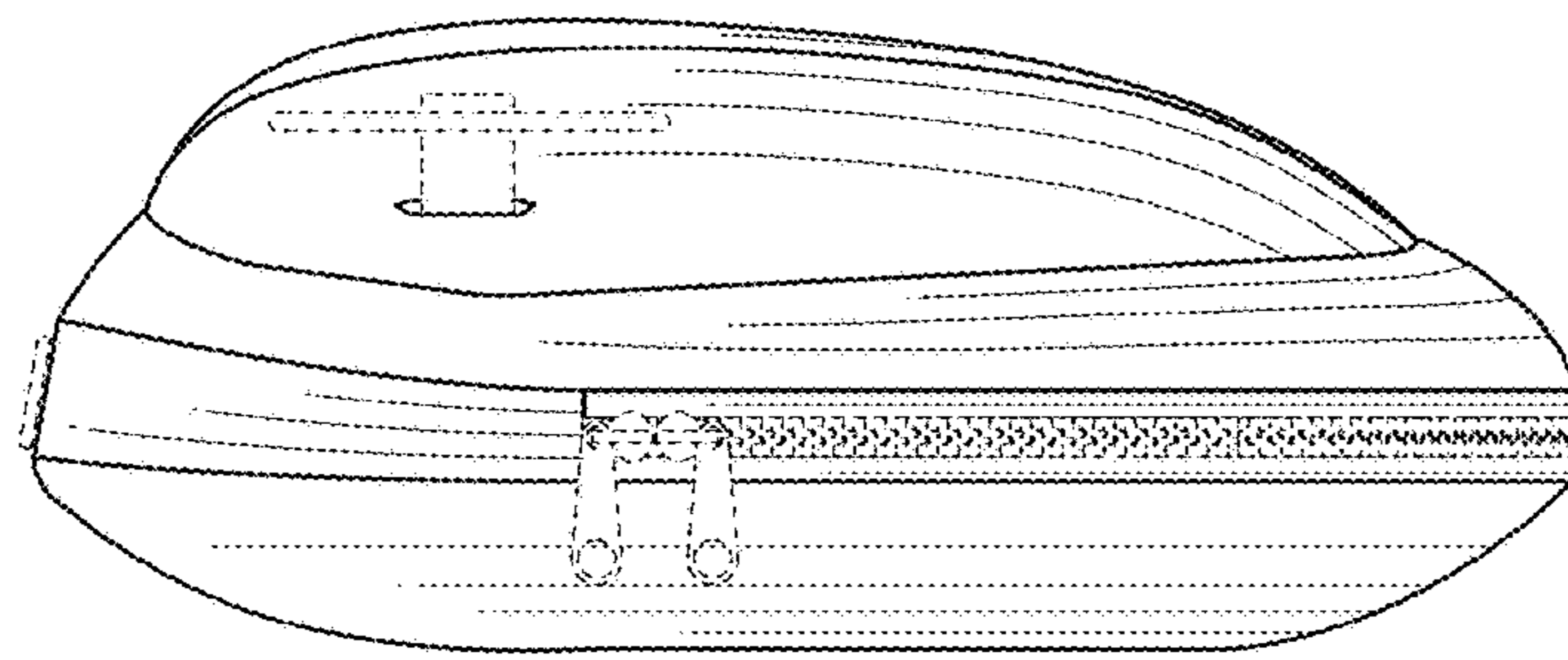


FIG. 4

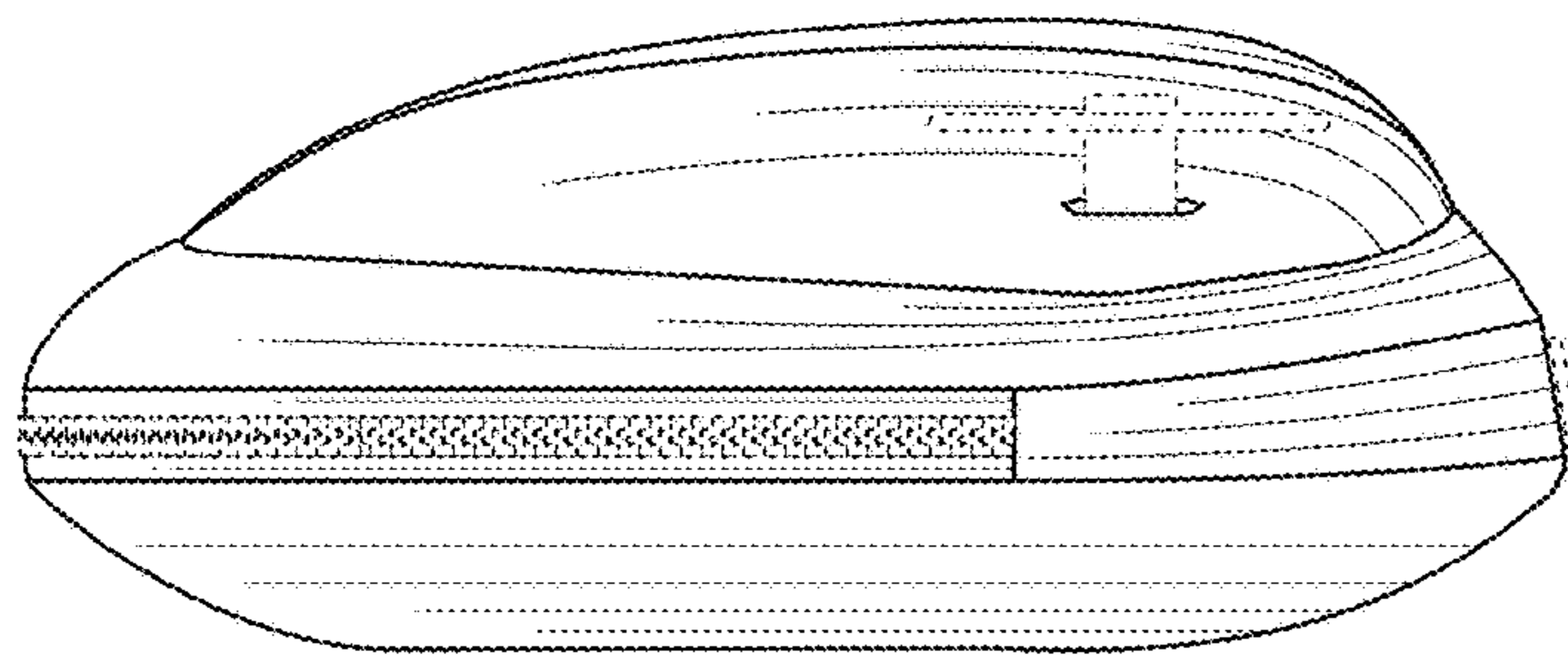


FIG. 5

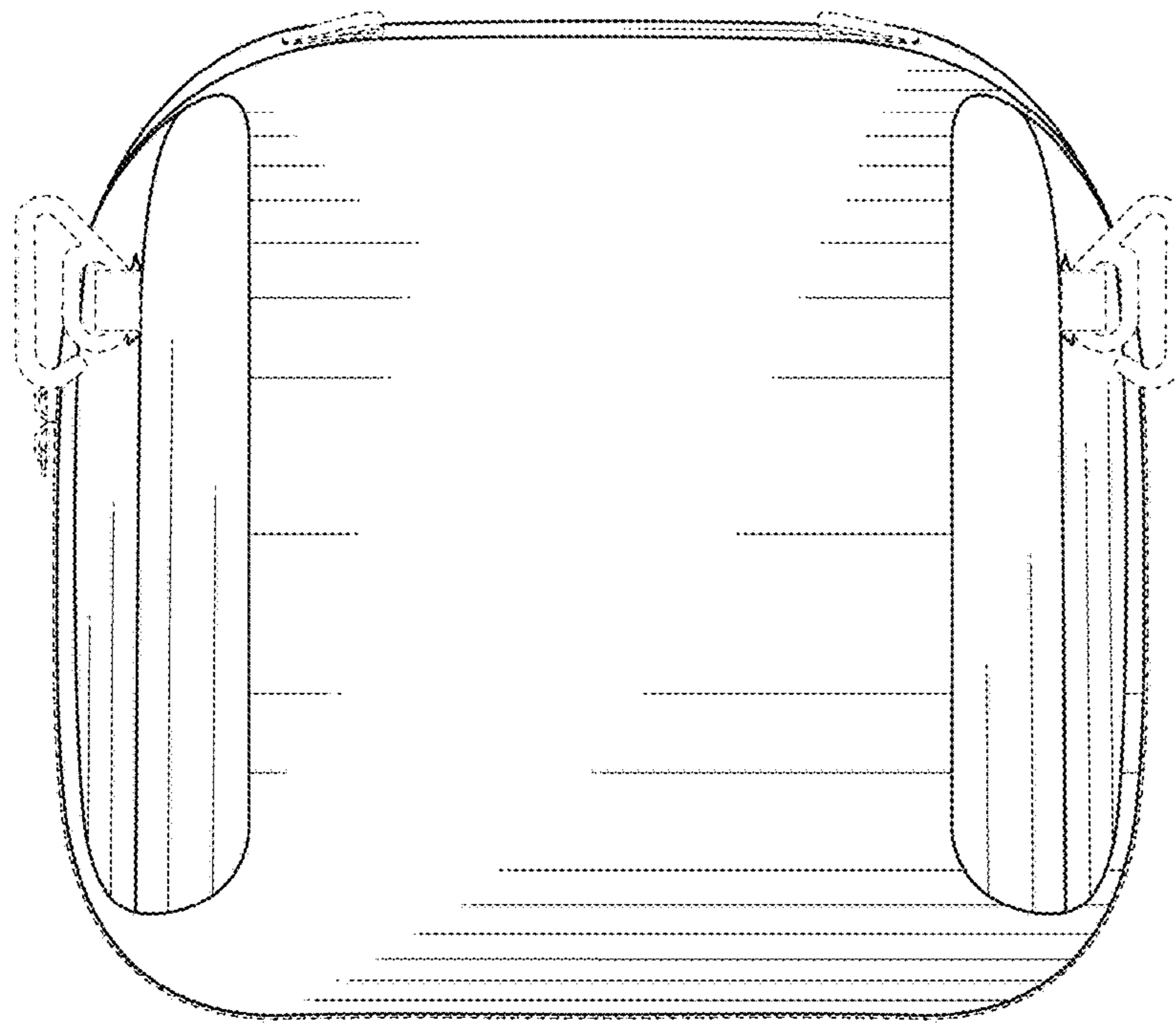


FIG. 6

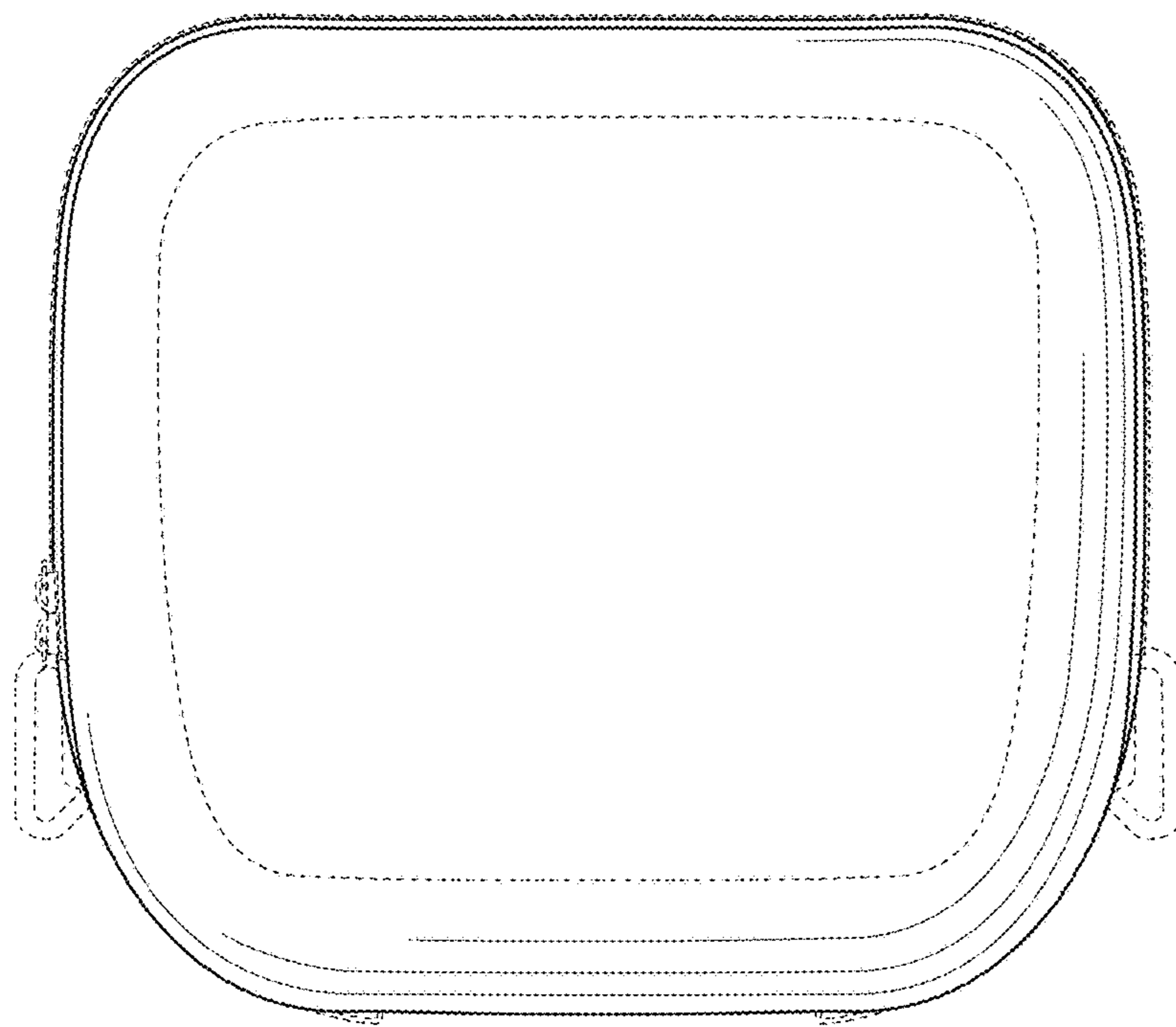


FIG. 7