



US00D866996S

(12) **United States Design Patent**
Strong et al.

(10) **Patent No.:** **US D866,996 S**

(45) **Date of Patent:** **** Nov. 19, 2019**

(54) **BOOSTER SEAT**

A47C 3/20; A47C 1/00; A47C 1/02;
A47C 1/04; A47C 1/06

(71) Applicant: **Jamberly Group, Inc.**, Louisville, KY
(US)

See application file for complete search history.

(72) Inventors: **Kim Strong**, Louisville, KY (US);
Jamye Baker, Largo, FL (US)

(56) **References Cited**

U.S. PATENT DOCUMENTS

(73) Assignee: **Jamberly Group, Inc.**, Louisville, KY
(US)

D421,343 S * 3/2000 Bennardo D6/333
D496,166 S * 9/2004 Namikawa D6/333
D635,372 S * 4/2011 Taylor D6/333

(**) Term: **15 Years**

* cited by examiner

(21) Appl. No.: **29/659,679**

Primary Examiner — Abraham Bahta

(22) Filed: **Aug. 10, 2018**

(74) *Attorney, Agent, or Firm* — Duncan Galloway Egan
Greenwald PLLC; Theresa Camoriano

(51) **LOC (12) Cl.** **06-01**

(57) **CLAIM**

(52) **U.S. Cl.**

The ornamental design for a booster seat, as shown and
described.

USPC **D6/333**

DESCRIPTION

(58) **Field of Classification Search**

USPC D6/333-336, 339, 344, 702, 716,
D6/716.1-716.7; 297/183.1-183.4,
297/184.13, 184.15, 184.17, 250.1, 255,
297/256.1, 256.15, 219.12, 463.1;
D12/129-130, 133; D21/412, 428, 419;
280/30-31; 5/94, 98.1, 99.1, 101-102,
5/105, 655, 93.1, 12.1; 24/200
CPC A47D 13/02; A47D 13/10; A47D 1/00;
A47D 1/002; A47D 1/004; B60N 2/22;
B60N 2/24; A47C 7/021; A47C 7/022;
A47C 7/002; A47C 7/18; A47C 7/24;
A47C 3/00; A47C 3/02; A47C 3/025;

FIG. 1 is a perspective view of a booster seat showing our
design;

FIG. 2 is a front elevation view thereof;

FIG. 3 is a rear elevation view thereof;

FIG. 4 is a right side view thereof;

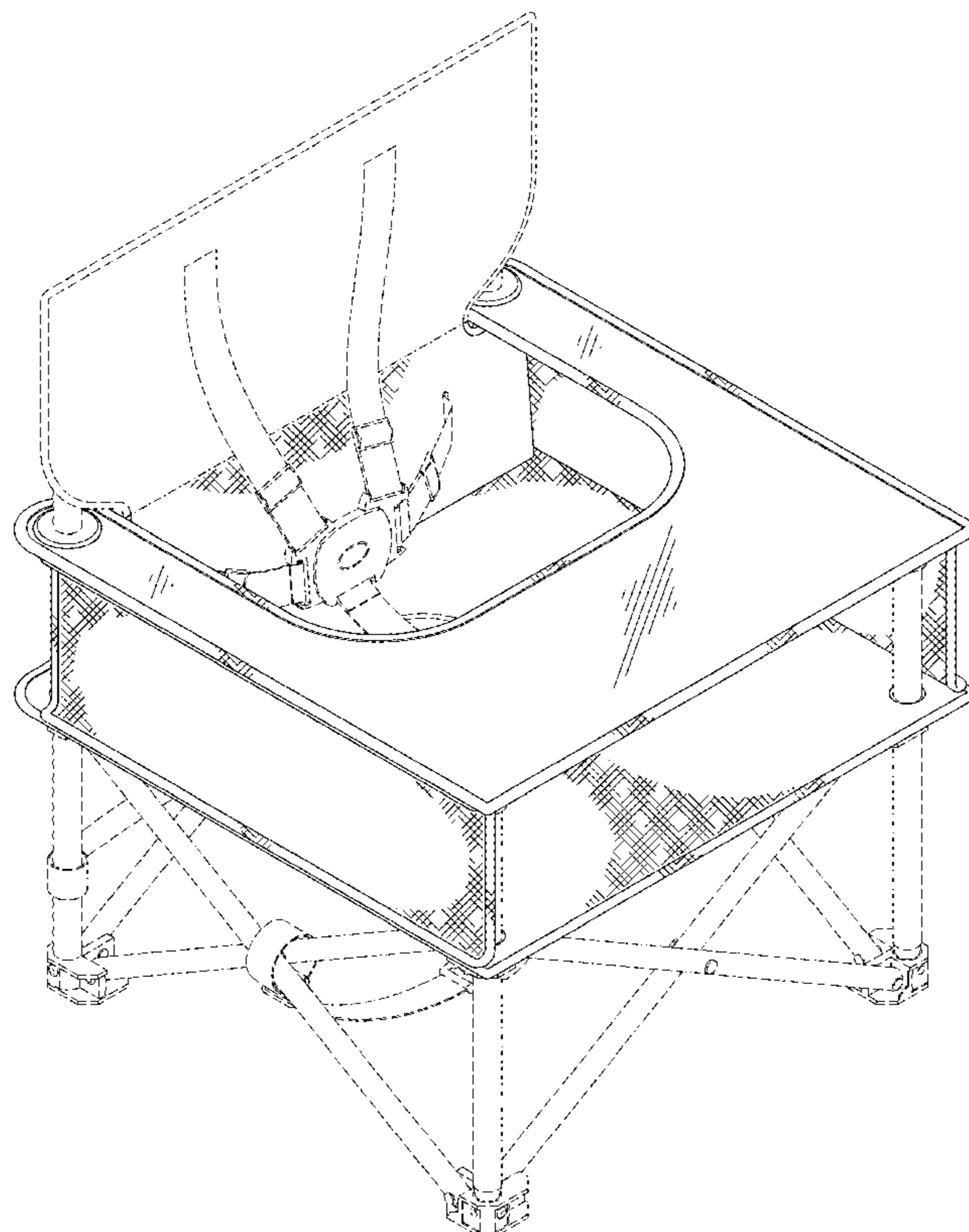
FIG. 5 is a left side view thereof;

FIG. 6 is a top view thereof; and,

FIG. 7 is a bottom view thereof.

The broken lines form no part of the claimed design but
show an environment in which the design may be used.

1 Claim, 7 Drawing Sheets



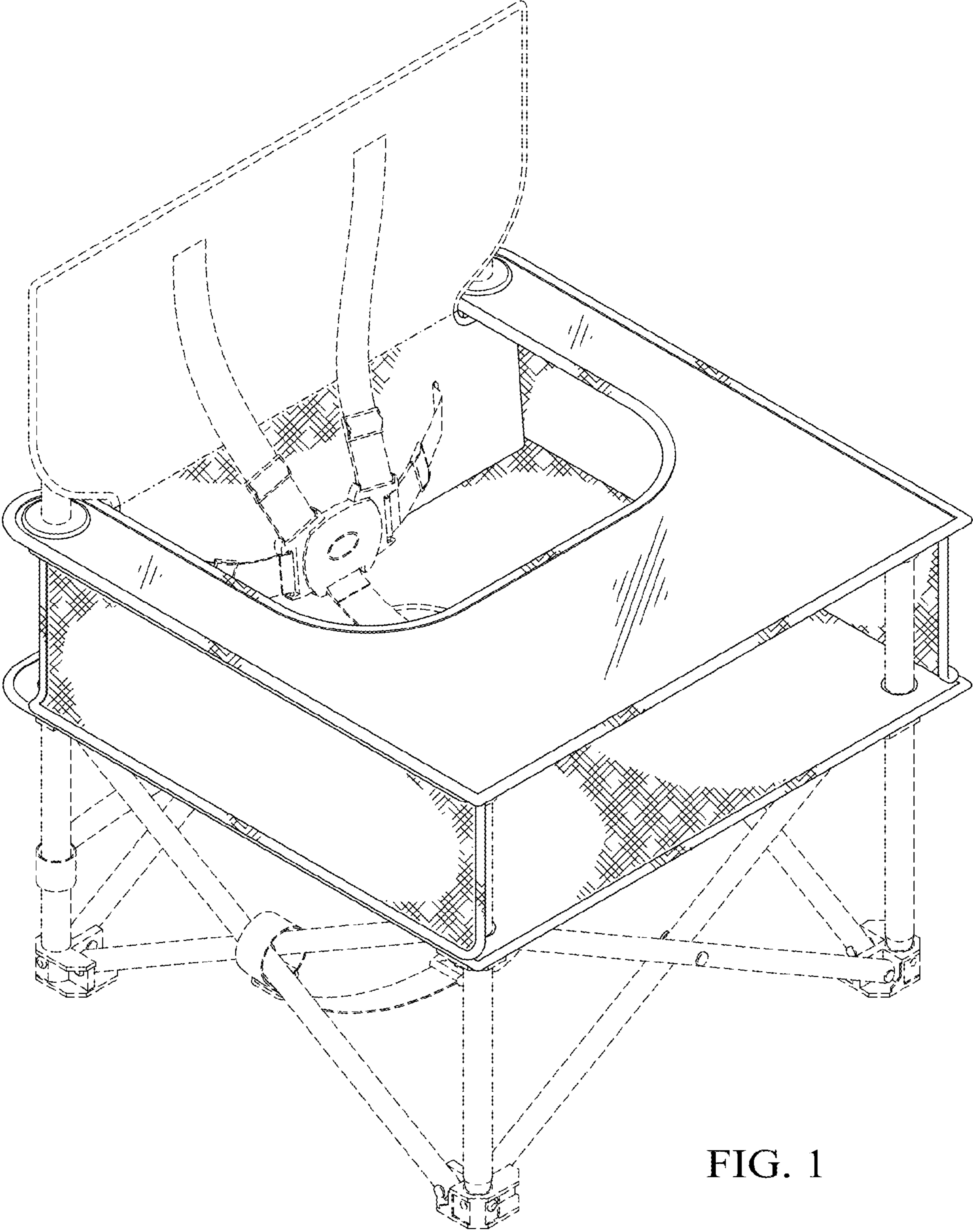


FIG. 1

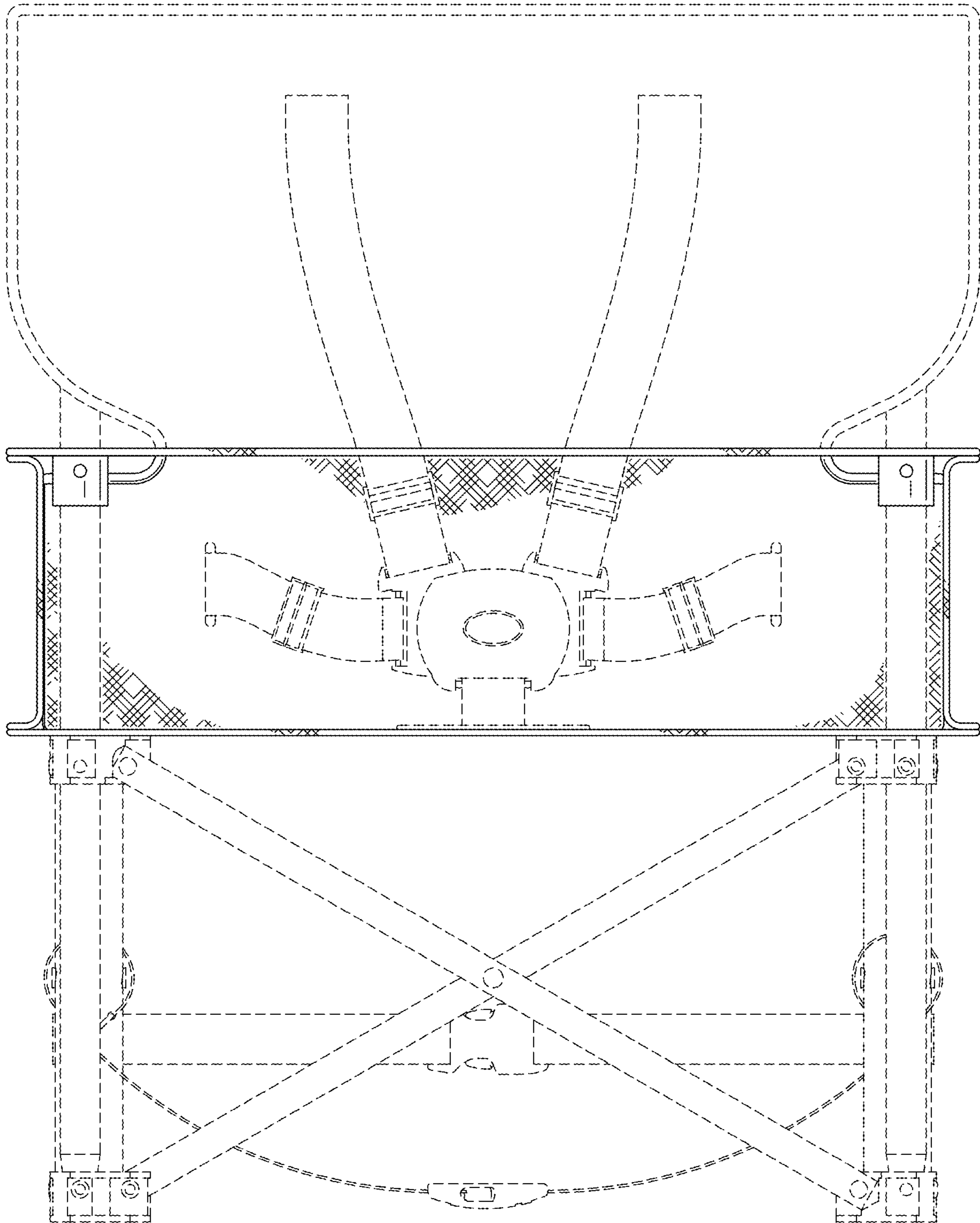


FIG. 2

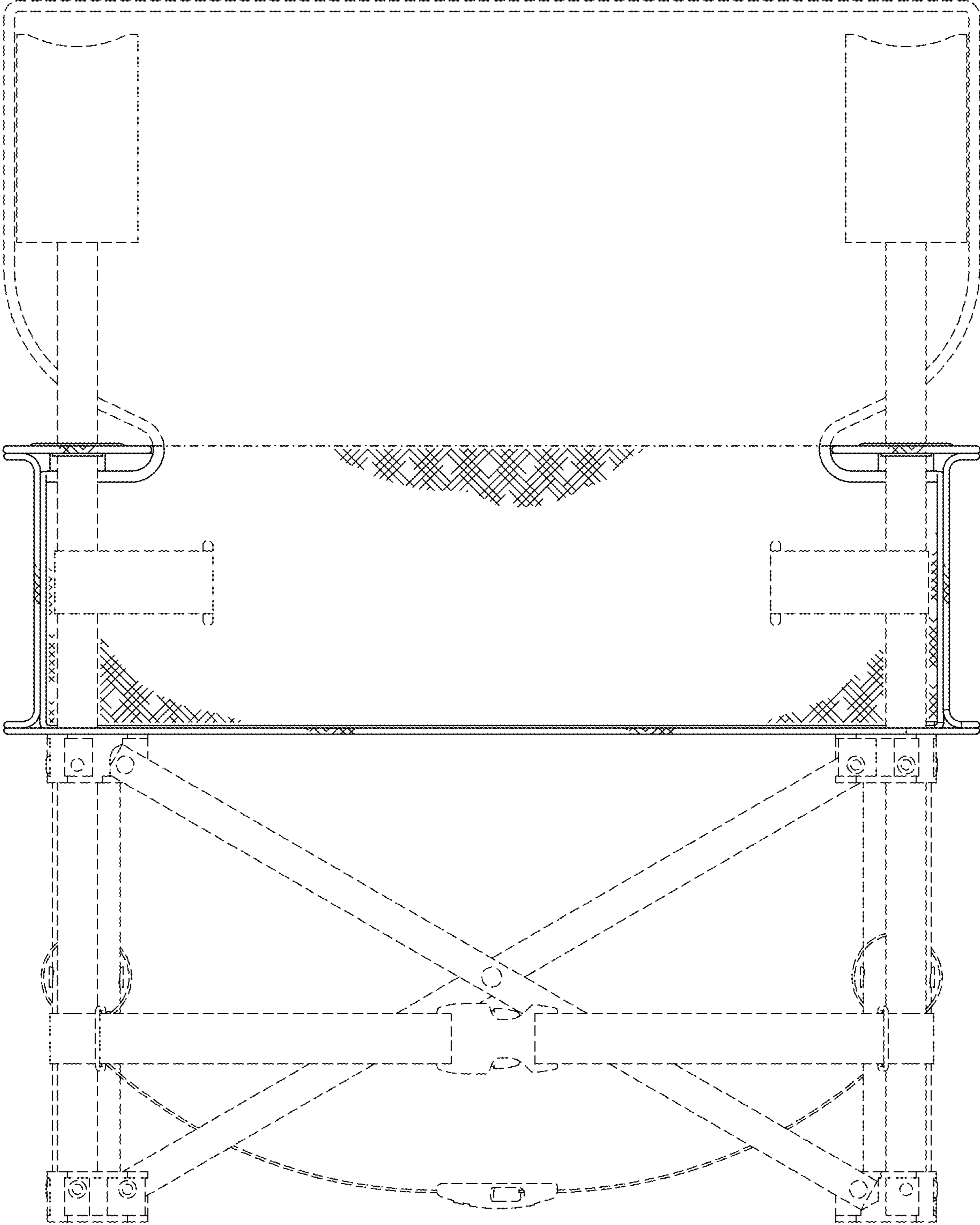


FIG. 3

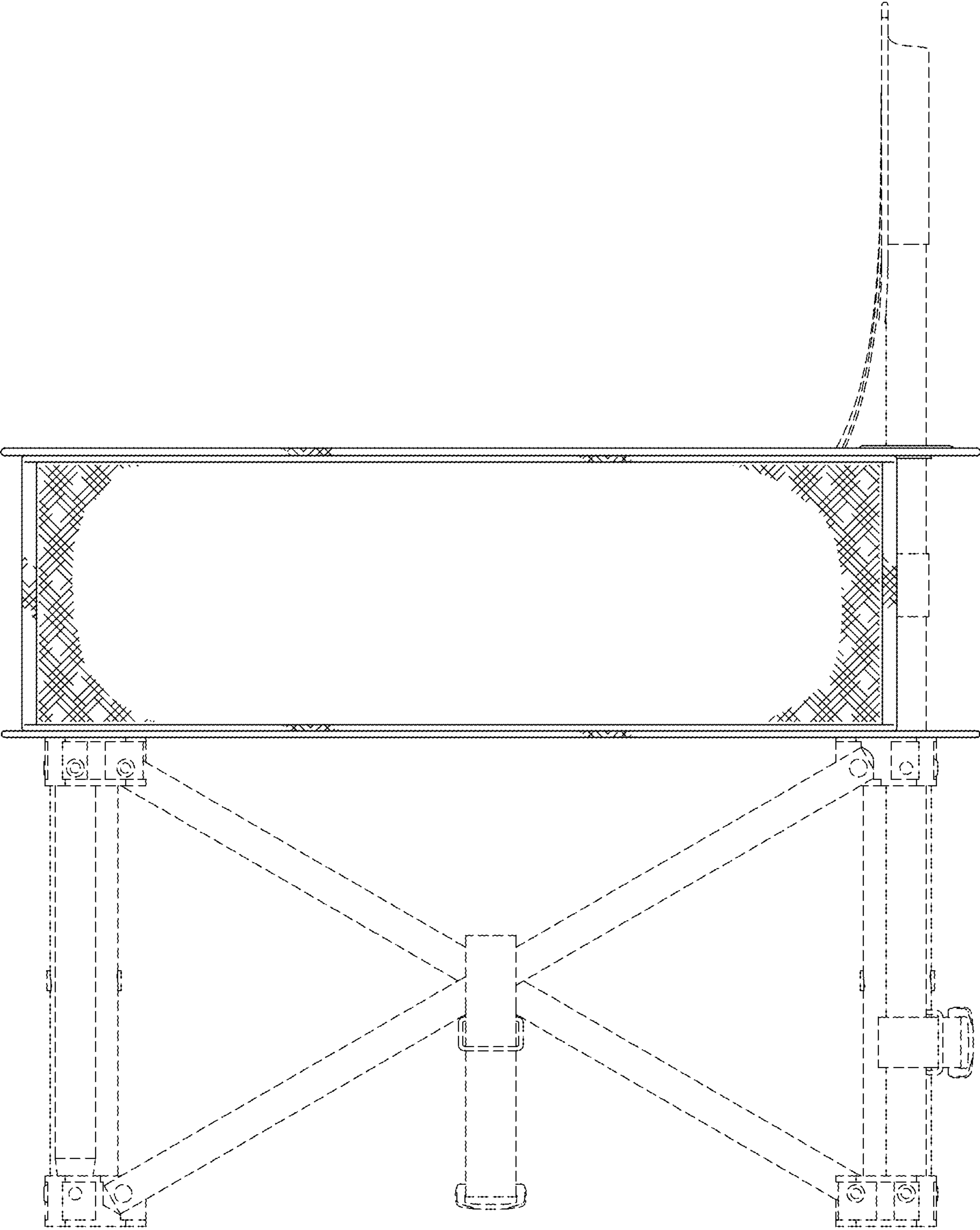


FIG. 4

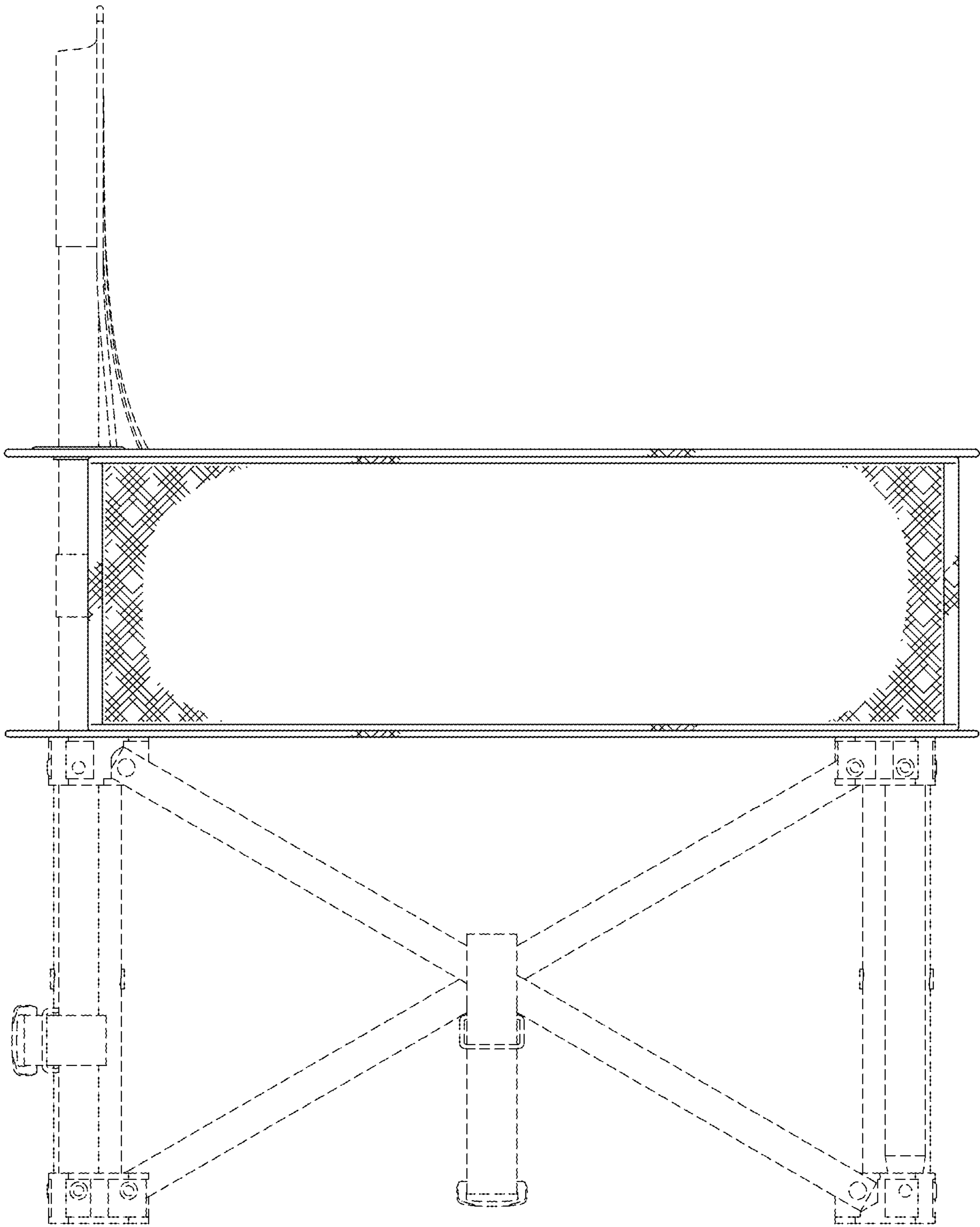


FIG. 5

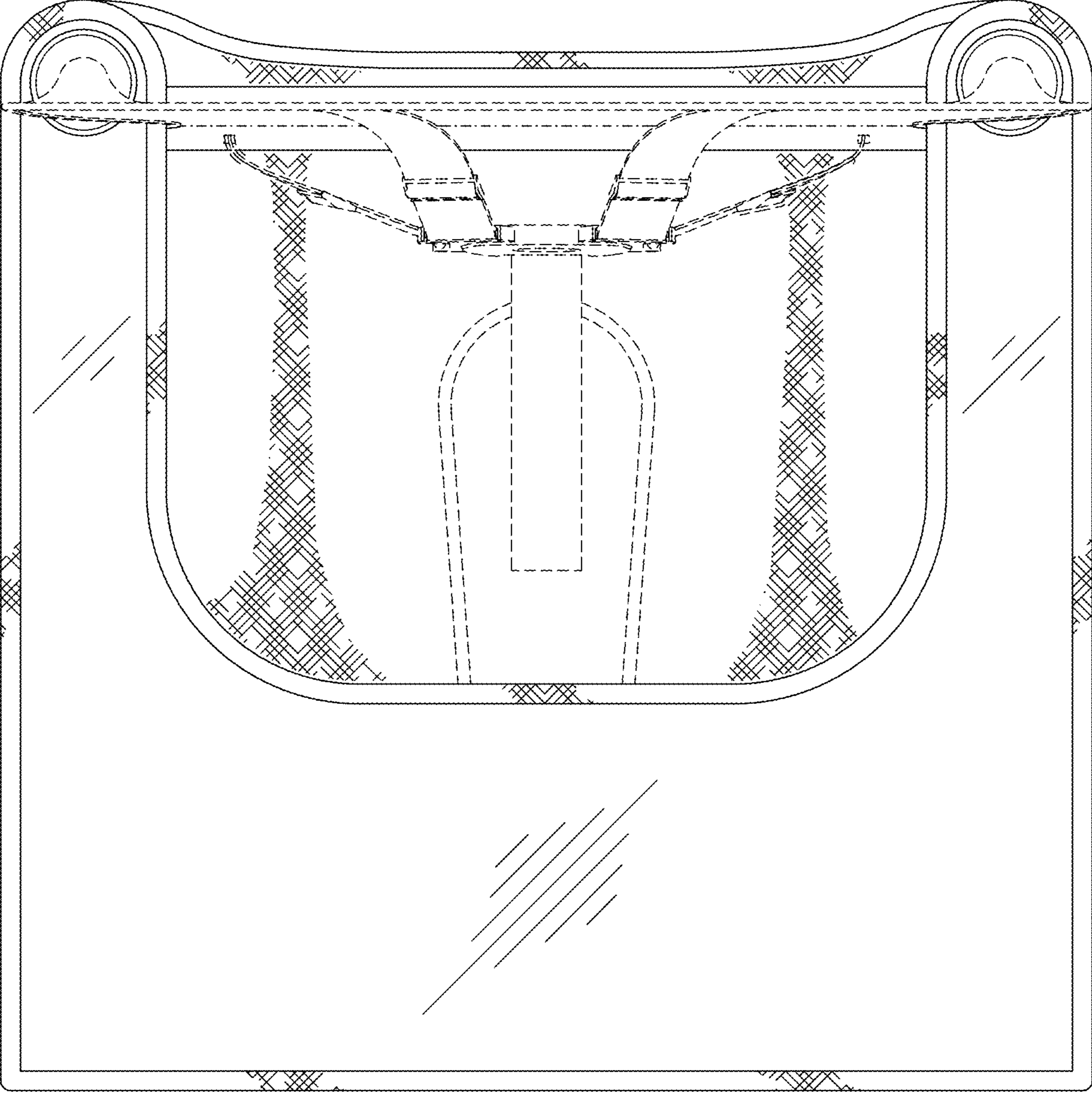


FIG. 6

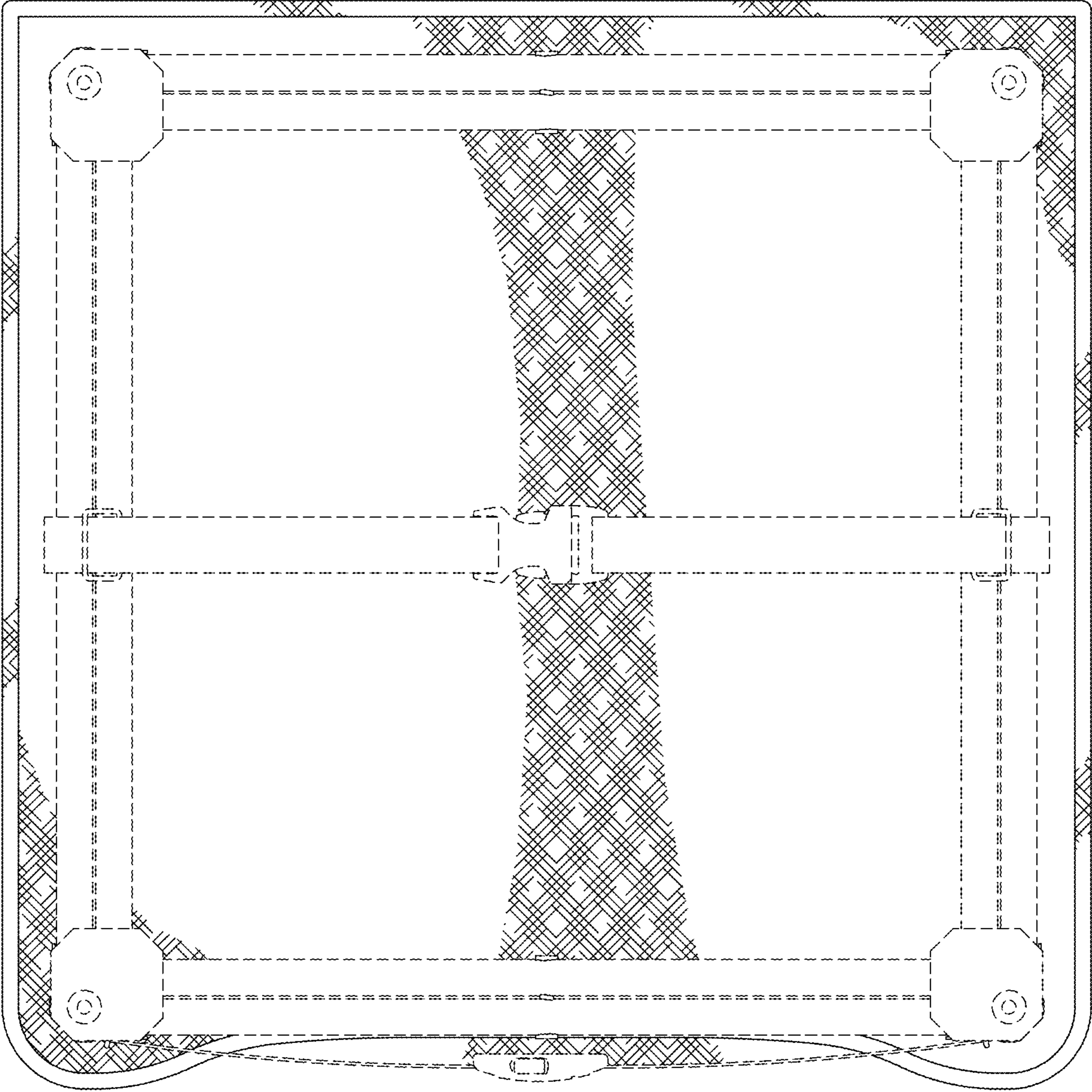


FIG. 7