

US00D866995S

(12) **United States Design Patent** (10) **Patent No.:** **US D866,995 S**
Perrin (45) **Date of Patent:** **** Nov. 19, 2019**

(54) **PLAY YARD**
(71) Applicant: **KIDS II, INC.**, Atlanta, GA (US)
(72) Inventor: **Thomas M. Perrin**, Atlanta, GA (US)
(73) Assignee: **KIDS2, INC.**, Atlanta, GA (US)
(**) Term: **15 Years**

D135,935 S * 7/1943 Miller D21/826
D146,557 S * 4/1947 Cosme D21/826
2,491,036 A 12/1949 Dodge
2,536,357 A 1/1951 David
2,586,247 A 2/1952 Mover
2,587,255 A 2/1952 Vogel et al.
2,601,885 A 7/1952 Irvine
2,624,054 A 1/1953 Plant
2,659,903 A 11/1953 Hagelfeldt
(Continued)

(21) Appl. No.: **29/664,316**
(22) Filed: **Sep. 24, 2018**

FOREIGN PATENT DOCUMENTS

CN 202515124 U 11/2012
WO 2014043653 A1 3/2014

Related U.S. Application Data

(63) Continuation-in-part of application No. 15/259,785, filed on Sep. 8, 2016.
(51) **LOC (12) Cl.** **06-02**
(52) **U.S. Cl.**
USPC **D6/331**; D21/826
(58) **Field of Classification Search**
USPC D21/811, 814, 826, 827; D6/331, 391
CPC A47D 9/005; A47D 13/061; A47D 13/063;
A47D 13/06; A47D 7/01; A47D 9/00;
A63B 9/00; A63B 17/00
See application file for complete search history.

OTHER PUBLICATIONS

European Search Report for EP App. No. 16188211.3; dated Jan. 27, 2017; 9 pgs.

Primary Examiner — Mitchell I. Siegel
(74) *Attorney, Agent, or Firm* — Gardner Groff & Greenwald, PC

(57) **CLAIM**

The ornamental design for a play yard, substantially as shown and described.

(56) **References Cited**

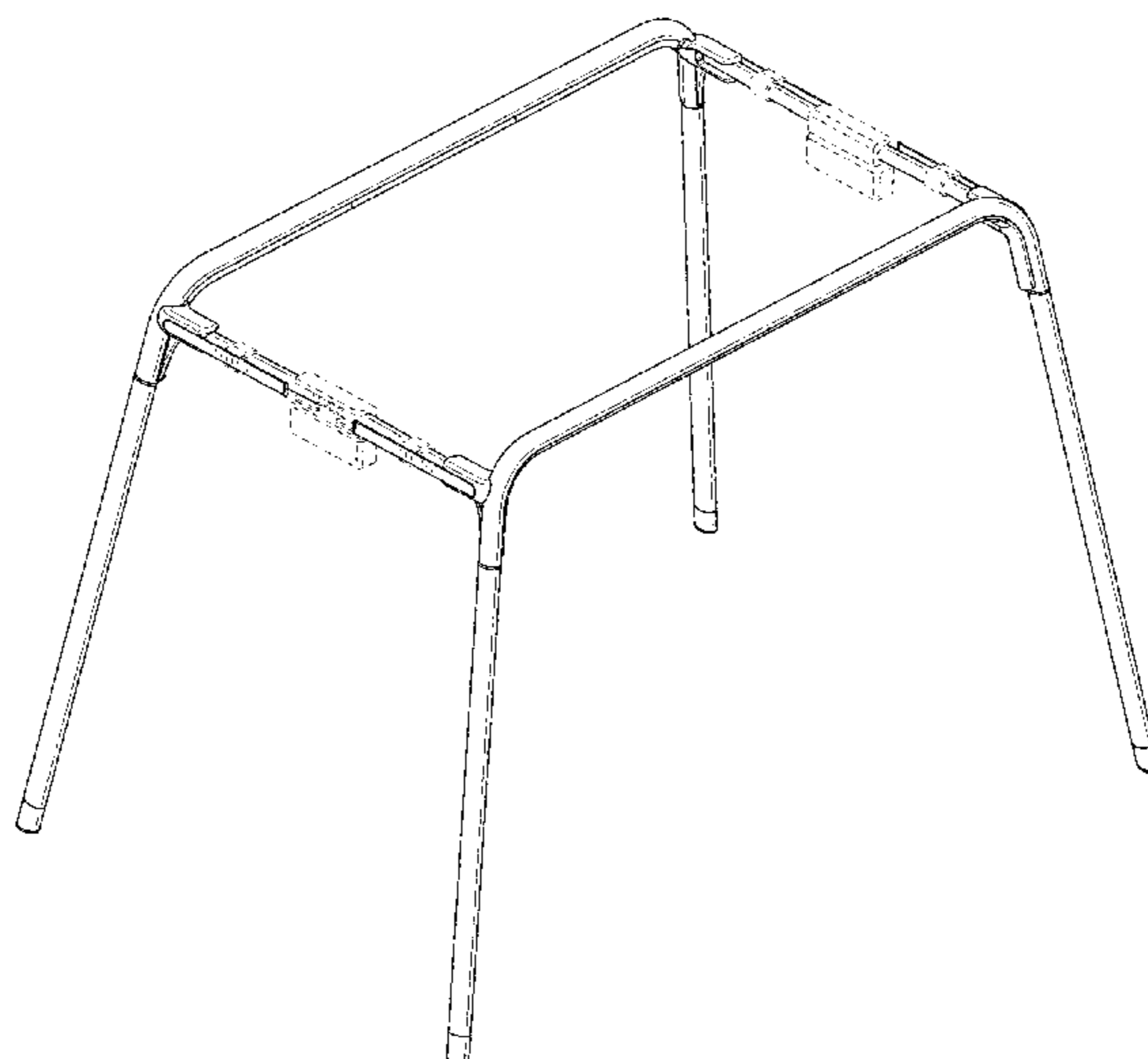
U.S. PATENT DOCUMENTS

485,081 A 10/1892 Baird
1,039,986 A 10/1912 Merritt
1,041,147 A 10/1912 Murphy
1,126,082 A * 1/1915 Reach 482/23
1,183,819 A 5/1916 Keiser
1,779,903 A * 10/1930 Daragon A63B 9/00
482/23
1,968,340 A 7/1934 Glidden
2,059,058 A 10/1936 Swanson
2,189,567 A 2/1940 Miller
2,224,310 A 12/1940 Merrett et al.
2,253,024 A 8/1941 Farrand
2,287,907 A 6/1942 Schettler, Jr.

DESCRIPTION

FIG. 1 is a top perspective view of a play yard, showing my new design;
FIG. 2 is a right side view of the play yard of FIG. 1,
FIG. 3 is a left side view of the play yard of FIG. 1;
FIG. 4 is a front view of the play yard of FIG. 1;
FIG. 5 is a rear view of the play yard of FIG. 1;
FIG. 6 is a top view of the play yard of FIG. 1; and,
FIG. 7 is a bottom view of the play yard of FIG. 1.
The broken lines shown are included for the purpose of illustrating unclaimed subject matter and forms no part of the claimed design.

1 Claim, 4 Drawing Sheets



(56)

References Cited

U.S. PATENT DOCUMENTS

- 2,667,648 A 2/1954 Donovan
2,691,177 A 10/1954 Leonard
2,706,632 A * 4/1955 Chandler A63B 21/00178
482/94
D176,999 S * 3/1956 Ahrens D21/826
D180,402 S * 6/1957 Harris, Jr. D21/797
2,901,755 A 9/1959 Wood, Jr.
D188,201 S * 6/1960 Epstein D21/826
2,944,815 A * 7/1960 Moyer A63B 71/023
482/23

2,991,486 A 7/1961 Hamilton
2,992,441 A 7/1961 Landry
3,064,277 A 11/1962 Gill
3,071,782 A 1/1963 Ball
3,096,917 A 7/1963 Gudiksen
3,103,670 A 9/1963 Landry
3,113,400 A * 12/1963 Emond A01G 9/12
47/45

3,119,124 A 1/1964 Krauss
D197,551 S 2/1964 Choy et al.
3,158,876 A 12/1964 Gottlieb
3,163,870 A 1/1965 Scotney, III
D200,651 S * 3/1965 Harris, Jr. D21/826
3,183,528 A 5/1965 Jacobs et al.
3,187,352 A 6/1965 Gottlieb
3,195,152 A 7/1965 Gottlieb
3,206,772 A 9/1965 Sarasin
3,211,452 A * 10/1965 Ahrens A63B 9/00
482/35

3,225,407 A 12/1965 Daniels
3,309,718 A 3/1967 Sarasin
D208,630 S * 9/1967 Coblenz D21/826
3,430,273 A 3/1969 Stillwaugh
3,474,472 A 10/1969 Hamilton, II
3,513,489 A 5/1970 Miller et al.
3,606,620 A 9/1971 Glover
D222,487 S * 10/1971 Korte D21/826
3,631,548 A 1/1972 Dahab
3,655,297 A 4/1972 Bolen, Jr. et al.
D224,245 S * 7/1972 Hock D21/826
3,709,454 A 1/1973 Hyde
3,730,520 A * 5/1973 Willis A63B 9/00
472/2

D227,380 S * 6/1973 Korte et al. D21/814
D227,381 S * 6/1973 Korte et al. D21/826
3,763,506 A 10/1973 Szego
3,777,321 A 12/1973 Hargett
3,789,439 A 2/1974 Berg et al.
3,799,228 A 3/1974 Crawford
3,886,607 A 6/1975 Dunn
3,895,468 A 7/1975 Bernstein
3,910,339 A 10/1975 Kramer
3,924,280 A 12/1975 Vaiano
D240,056 S * 5/1976 Hock D21/826
D244,890 S 7/1977 Adams
4,044,411 A 8/1977 Peterson
D246,477 S * 11/1977 Callecod D21/826
4,103,401 A 8/1978 Conley
D249,602 S * 9/1978 O'Connor D14/447
4,133,063 A 1/1979 Jones-Steele
4,202,065 A 5/1980 Sullivan
D259,805 S * 7/1981 Persson D21/826
D263,983 S * 4/1982 Carlson D21/826
4,337,815 A 7/1982 Lindstrom
4,393,915 A 7/1983 Olson
4,455,697 A 6/1984 Rovida
4,493,120 A 1/1985 Watts
D279,401 S * 6/1985 West D21/826
D281,745 S 12/1985 Pandorf et al.
4,590,956 A 5/1986 Griesenbeck
4,603,828 A 8/1986 Farley, Jr. et al.
4,611,945 A 9/1986 Diego
4,635,305 A 1/1987 Wyss
4,683,600 A 8/1987 Beger

4,790,340 A 12/1988 Mahoney
4,819,285 A 4/1989 Fetters
4,837,875 A 6/1989 Shamie et al.
4,852,598 A 8/1989 Griesenbeck
4,872,724 A 10/1989 Deley et al.
4,934,025 A 6/1990 Mariol
4,941,453 A 7/1990 Shakas et al.
4,967,432 A 11/1990 Kujawski et al.
4,999,863 A 3/1991 Kane
5,193,234 A 3/1993 Joaquin
D334,787 S * 4/1993 Bickford D21/814
5,211,498 A 5/1993 Huang
5,239,714 A 8/1993 Huang
5,241,716 A 9/1993 Kohus
5,269,587 A 12/1993 Cunningham et al.
5,279,006 A 1/1994 Teng
5,291,623 A 3/1994 Artz
5,293,656 A 3/1994 Chan
5,339,470 A 8/1994 Shamie
5,341,530 A 8/1994 Ward
5,349,709 A 9/1994 Cheng
5,353,451 A 10/1994 Hsiung
5,358,220 A 10/1994 Yu-Kuang
5,367,725 A 11/1994 Tsai
D353,420 S * 12/1994 Koresec D21/691
5,381,570 A 1/1995 Cheng
5,454,124 A 10/1995 Huang
5,457,828 A 10/1995 Huang
5,474,404 A 12/1995 Chien
5,483,710 A 1/1996 Chan
5,485,655 A 1/1996 Wang
5,530,977 A 7/1996 Wang
5,533,215 A 7/1996 Malofsky et al.
5,539,957 A 7/1996 Schmidt
5,544,372 A 8/1996 Garland et al.
5,553,336 A 9/1996 Mariol
5,560,055 A 10/1996 Ziegler
5,561,874 A 10/1996 Malofsky et al.
5,577,276 A 11/1996 Nicholson et al.
D376,405 S * 12/1996 Strawcutter D21/814
5,611,634 A 3/1997 Wang
D381,057 S * 7/1997 Strawcutter D21/814
5,727,265 A 3/1998 Ziegler et al.
5,730,542 A 3/1998 Cheng
5,745,954 A 5/1998 Shogan et al.
5,752,283 A 5/1998 Arens
5,755,641 A * 5/1998 Pardella A63B 9/00
482/23

5,761,754 A 6/1998 Cheng
5,761,755 A 6/1998 Huang
5,762,403 A 6/1998 Robinson
5,778,465 A 7/1998 Myers
5,781,944 A 7/1998 Huang
5,791,804 A 8/1998 Cheng
5,803,650 A 9/1998 Wu
5,803,786 A 9/1998 McCormick
5,809,592 A 9/1998 McAllister
5,820,472 A * 10/1998 Briggs A63B 9/00
472/128

5,826,285 A 10/1998 Mariol et al.
5,836,655 A 11/1998 Laufer
5,845,349 A 12/1998 Tharalson et al.
5,857,229 A 1/1999 Magnani, Jr.
5,867,850 A 2/1999 Mariol
5,867,851 A 2/1999 Mariol et al.
5,918,329 A 7/1999 Huang
5,964,545 A 10/1999 Cheng
5,978,987 A 11/1999 Wang
5,988,928 A 11/1999 Cheng
5,991,944 A 11/1999 Yang
5,992,348 A 11/1999 Harding
6,018,846 A 2/2000 Huang
6,026,525 A 2/2000 Davis
6,041,455 A 3/2000 Raffo et al.
6,058,528 A 5/2000 Yang
6,076,205 A 6/2000 Yang
6,082,922 A 7/2000 Cheng
6,099,377 A 8/2000 Pridemore
6,125,483 A 10/2000 Stroud et al.

US D866,995 S

(56)

References Cited

U.S. PATENT DOCUMENTS

8,316,483 B2 11/2012 Thomas et al.
RE43,919 E 1/2013 Chen
8,365,323 B2* 2/2013 Crumrine A47D 9/005
5/655
8,387,807 B2 3/2013 Chen et al.
8,388,501 B2 3/2013 Myers et al.
D680,760 S 4/2013 Hsu
8,458,828 B2 6/2013 Lake
8,458,829 B2 6/2013 Thorne et al.
8,490,227 B2 7/2013 Troutman
8,522,374 B2 9/2013 Sousa et al.
8,522,375 B2 9/2013 Conrad et al.
8,523,283 B2 9/2013 Lee
8,528,130 B2 9/2013 Bu et al.
8,544,125 B2 10/2013 Greger et al.
8,550,565 B2 10/2013 Caldwell
8,566,988 B2 10/2013 Son et al.
8,607,379 B2 12/2013 Yoshie et al.
D697,988 S* 1/2014 Januszek D21/686
8,635,721 B2 1/2014 Zhang
8,656,530 B2 2/2014 You et al.
8,667,626 B2 3/2014 Zheng
8,677,527 B2 3/2014 Hartenstine et al.
8,677,533 B2 3/2014 Barron et al.
D707,779 S* 6/2014 Elson D21/814
8,739,331 B2 6/2014 Gillett et al.
8,756,727 B2 6/2014 Thorne et al.
8,764,612 B2 7/2014 Myers et al.
8,769,738 B2 7/2014 Horst et al.
8,806,673 B2 8/2014 Burkholder et al.
8,844,549 B2 9/2014 Mohamed
D717,576 S 11/2014 Tan
8,893,325 B2 11/2014 Arnold, IV et al.
8,925,128 B2 1/2015 Fiore, Jr. et al.
8,943,622 B2 2/2015 Saint et al.
8,955,175 B2 2/2015 Wiegmann et al.
8,973,180 B2 3/2015 Zeng et al.
8,984,682 B2 3/2015 Zhao
8,997,277 B2 4/2015 Thomas et al.
9,016,644 B2 4/2015 Reese
D728,984 S 5/2015 Westin et al.
9,027,180 B2 5/2015 Troutman
D731,611 S* 6/2015 Klein D21/826
9,066,607 B1 6/2015 Ransil et al.
9,078,530 B2 7/2015 Ingram et al.
9,089,225 B2 7/2015 Fiore, III et al.
9,101,226 B1 8/2015 Hartenstine et al.
9,103,368 B2 8/2015 Mendes et al.
9,113,723 B2 8/2015 Greger et al.
9,149,128 B2 10/2015 Rampton et al.
9,179,785 B2 11/2015 Tricault et al.
9,198,524 B2 12/2015 Horst et al.
9,226,595 B2 1/2016 Jackson
9,301,624 B2 4/2016 Rosenthal et al.
9,314,115 B2 4/2016 Troutman
9,332,860 B2 5/2016 Rong et al.
9,345,339 B2 5/2016 Wang et al.
9,351,586 B2 5/2016 Burkholder et al.
9,351,587 B2 5/2016 Burns et al.
9,351,588 B2 5/2016 Burns et al.
9,364,098 B2 6/2016 Fiore, III et al.
9,375,095 B2 6/2016 Fiore, Jr. et al.
9,392,880 B2 7/2016 Do
9,414,694 B2 8/2016 Arnold, IV et al.
D767,692 S* 9/2016 Kuka D21/686
9,565,950 B2 2/2017 Horst et al.
9,622,592 B2 4/2017 Barron et al.
9,622,593 B2 4/2017 Longenecker et al.
9,675,182 B2 6/2017 Longenecker
9,675,183 B2 6/2017 Saint et al.
D794,144 S* 8/2017 Abelbeck D21/686
9,763,523 B2 9/2017 Thomson et al.
9,770,118 B2 9/2017 Mountz
D798,982 S* 10/2017 O'Brien D21/797
9,801,473 B2 10/2017 Jackson et al.
9,848,714 B2 12/2017 Burns et al.
D806,817 S* 1/2018 Bentsen D21/826
D807,978 S* 1/2018 Keller D21/814
D809,619 S* 2/2018 Jackson D21/826
9,888,788 B2 2/2018 Thomas et al.
9,901,187 B2 2/2018 Burkholder et al.
D812,174 S* 3/2018 Civile D21/814
D814,589 S* 4/2018 Eroglu D21/826
D821,526 S* 6/2018 Jackson D21/826
D825,703 S* 8/2018 Eroglu D21/826
10,064,499 B2 9/2018 Szymanski et al.
D833,557 S* 11/2018 Jeffrey D21/814
D835,224 S* 12/2018 Jackson D21/826
D845,406 S* 4/2019 Gilchrist D21/686
D852,907 S* 7/2019 Sergakis D21/686
2001/0001162 A1 5/2001 Warner, Jr. et al.
2001/0001330 A1 5/2001 Warner, Jr. et al.
2002/0138900 A1 10/2002 Hu
2003/0098053 A1 5/2003 Huang
2003/0154547 A1 8/2003 Hsia
2003/0177575 A1 9/2003 Cheng et al.
2005/0028287 A1 2/2005 Fee
2005/0150053 A1 7/2005 Hartenstine
2005/0172400 A1 8/2005 Hardy
2005/0210580 A1 9/2005 Clapper
2005/0262629 A1 12/2005 Cheng et al.
2005/0268398 A1 12/2005 Tharalson et al.
2006/0000019 A1 1/2006 Martin
2006/0021136 A1 2/2006 Cheng
2006/0052172 A1 3/2006 Stephen et al.
2006/0080776 A1 4/2006 Clapper et al.
2006/0117478 A1 6/2006 Cheung
2006/0174406 A1 8/2006 Yang
2006/0207023 A1 9/2006 DeHart et al.
2006/0218725 A1 10/2006 Carpenter
2006/0225204 A1 10/2006 Bretschger et al.
2006/0225207 A1 10/2006 Johnson
2006/0225208 A1 10/2006 Chen
2006/0230528 A1 10/2006 Church
2006/0236461 A1 10/2006 Ryan
2007/0017025 A1 1/2007 Myer
2007/0061961 A1 3/2007 Shamie
2007/0061962 A1 3/2007 Pascual
2007/0062651 A1 3/2007 Lippard
2007/0101493 A1 5/2007 Campbell et al.
2007/0163041 A1 7/2007 Cheng et al.
2007/0204403 A1 9/2007 Hartenstine
2007/0204404 A1 9/2007 Hartenstine
2007/0214605 A1 9/2007 Tu
2007/0271697 A1 11/2007 Martin
2008/0000857 A1 1/2008 Chen et al.
2008/0022457 A1 1/2008 Wu
2008/0052833 A1 3/2008 Goulet
2008/0127412 A1 6/2008 Pleiman et al.
2009/0007337 A1 1/2009 Mese
2009/0077742 A1 3/2009 Burns et al.
2009/0077775 A1 3/2009 Burns et al.
2009/0172879 A1 7/2009 Hsu
2010/0132115 A1 6/2010 Hsu
2010/0138991 A1 6/2010 Hartenstine et al.
2010/0162485 A1 7/2010 McCluskey et al.
2011/0085847 A1 4/2011 Anderson
2011/0229251 A1 9/2011 Yen
2012/0036634 A1 2/2012 Pacella
2012/0037432 A1 2/2012 Fiore, Jr. et al.
2013/0000036 A1 1/2013 Wood Greeney et al.
2013/0086750 A1 4/2013 Cheng
2013/0117930 A1 5/2013 Hsu
2013/0133136 A1 5/2013 Cheng
2013/0205496 A1 8/2013 Cheng
2013/0239282 A1 9/2013 Cheng
2013/0333111 A1 12/2013 Cheng
2014/0047639 A1 2/2014 Cheng
2014/0059762 A1 3/2014 Bonczek
2014/0075670 A1* 3/2014 Crumrine A47D 7/002
5/99.1
2014/0215713 A1 8/2014 Myers et al.

(56)

References Cited

U.S. PATENT DOCUMENTS

2014/0283298 A1 9/2014 Cheng
2016/0270556 A1 9/2016 Sack et al.
2017/0065100 A1 3/2017 Lange et al.

* cited by examiner

