

US00D866994S

(12) **United States Design Patent** (10) **Patent No.:** **US D866,994 S**
Martell et al. (45) **Date of Patent:** **** Nov. 19, 2019**

(54) **GARMENT HANGER**

(71) Applicant: **TARGET BRANDS, INC.**,
Minneapolis, MN (US)

(72) Inventors: **Timothy James Martell**, Brooklyn
Park, MN (US); **Jeremy A. Clark**,
Minneapolis, MN (US)

(73) Assignee: **TARGET BRANDS, INC.**,
Minneapolis, MN (US)

(**) Term: **15 Years**

(21) Appl. No.: **29/698,181**

(22) Filed: **Jul. 15, 2019**

Related U.S. Application Data

(60) Continuation of application No. 29/688,753, filed on
Apr. 24, 2019, which is a division of application No.
29/672,897, filed on Dec. 10, 2018, now Pat. No. Des.
853,137, which is a division of application No.
29/553,482, filed on Feb. 2, 2016, now Pat. No. Des.
839,613.

(51) **LOC (12) Cl.** **06-08**

(52) **U.S. Cl.**

USPC **D6/328**

(58) **Field of Classification Search**

USPC D6/315-328

CPC A47G 25/32; A47G 25/743; A47G 25/36;

A47G 25/1407; A47G 25/06; A47G

25/38; A47G 25/1414; A47G 25/0607;

A47G 25/186; A47F 5/0006; A47F 7/19;

A47F 7/24; Y10T 24/51; Y10T 24/3449

See application file for complete search history.

(56) **References Cited**

U.S. PATENT DOCUMENTS

D210,259 S 2/1968 Holtzman
3,949,914 A 4/1976 Ostroll

D245,748 S 9/1977 Ostroll
4,063,670 A 12/1977 Faarbech
D264,912 S 6/1982 Bliss et al.
4,450,639 A 5/1984 Duester
4,517,709 A 5/1985 Arentsen et al.
D282,982 S 3/1986 Kodet
4,717,053 A 1/1988 Wang
D303,325 S 9/1989 Marshall
4,886,195 A 12/1989 Blanchard
4,892,237 A 1/1990 Duester et al.
4,997,114 A 3/1991 Petrou
5,069,373 A 12/1991 Kolton et al.
5,096,101 A 3/1992 Norman et al.
5,135,141 A 8/1992 Harmer et al.
D335,157 S 4/1993 Rahbek
5,199,608 A 4/1993 Zuckerman

(Continued)

Primary Examiner — Lauren R Calve

(74) *Attorney, Agent, or Firm* — JoAnn M. Seaton;
Griffiths & Seaton PLLC

(57) **CLAIM**

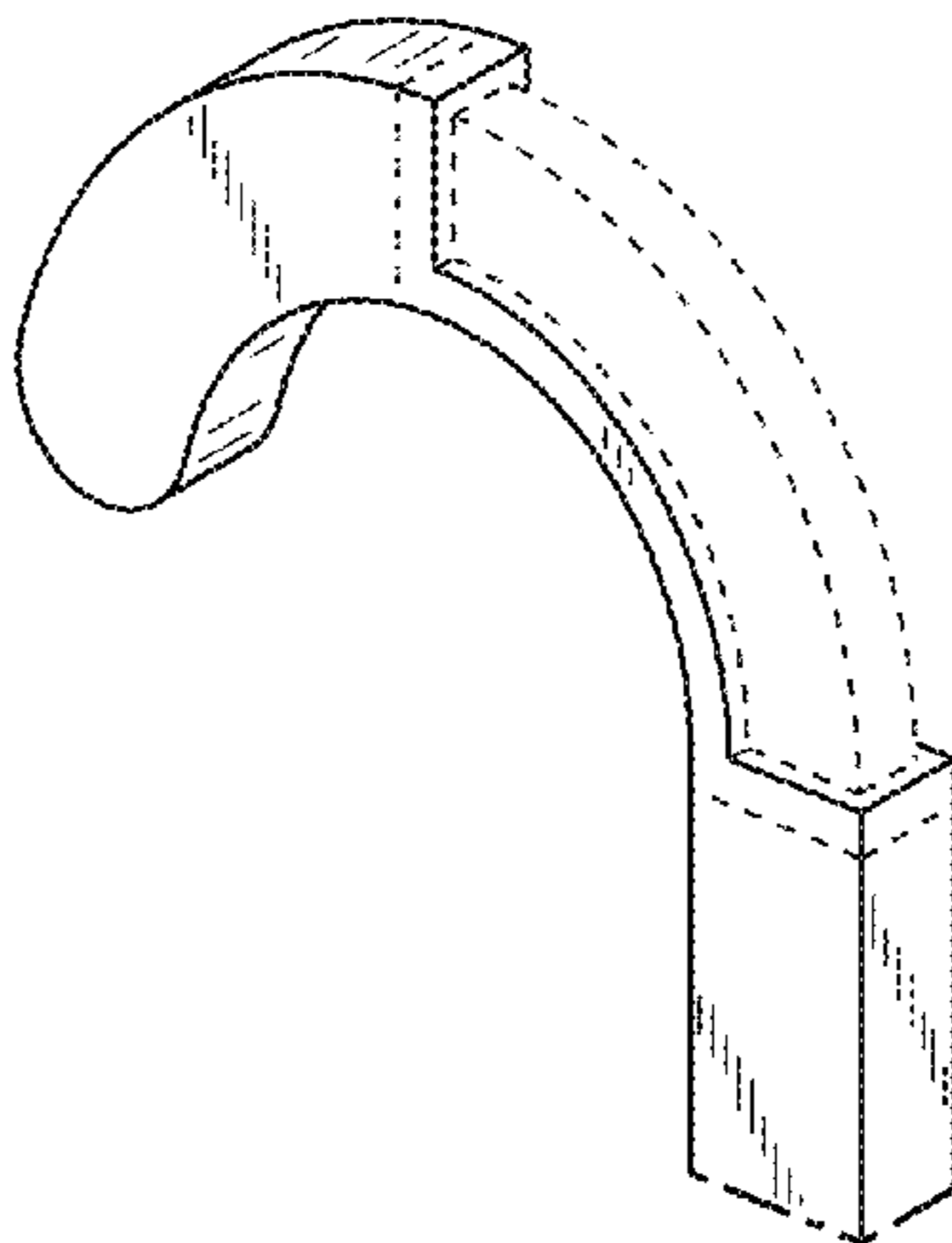
The ornamental design for a garment hanger, as shown and
described.

DESCRIPTION

FIG. 1 is a front, perspective view of a garment hanger
showing our new design;
FIG. 2 is a front view thereof, wherein the rear surfaces
thereof are unclaimed such that a rear view is omitted;
FIG. 3 is a right side view thereof;
FIG. 4 is a left side view thereof;
FIG. 5 is a top view thereof; and,
FIG. 6 is a bottom view thereof.

In the drawings, the broken lines depict unclaimed subject
matter only and form no part of the claimed design. The
features shown in long dash-short dash bolded broken lines
indicate the bounds of the claimed design and otherwise
form no part of the claimed design.

1 Claim, 1 Drawing Sheet



(56)

References Cited

U.S. PATENT DOCUMENTS

5,238,159	A	8/1993	Zuckerman	D605,418	S	12/2009	Niccol	
5,305,933	A	4/1994	Zuckerman	D607,219	S	1/2010	Goldman	
5,377,884	A	1/1995	Zuckerman	7,641,083	B2	1/2010	Goldman et al.	
5,383,583	A	1/1995	Zuckerman	7,708,174	B1	5/2010	Ho	
5,388,024	A	2/1995	Galvagni	7,717,308	B2	5/2010	Goldman	
5,400,932	A	3/1995	Hollis	D627,171	S	11/2010	Niccol	
5,407,109	A	4/1995	Zuckerman	D627,980	S	11/2010	Chan	
5,441,182	A	8/1995	Sullivan	7,841,495	B2	11/2010	Gouldson	
5,449,099	A	9/1995	Blanchard	D632,097	S	2/2011	Chan	
5,469,995	A	11/1995	Bredeweg et al.	D634,939	S	3/2011	Warren	
5,485,943	A	1/1996	Zuckerman	7,905,376	B2	3/2011	Gouldson	
5,503,310	A	4/1996	Zuckerman et al.	7,922,047	B2	4/2011	Gouldson	
5,524,801	A	6/1996	Dooley et al.	D648,142	S *	11/2011	Ferraro	D6/328
5,586,697	A	12/1996	Johansson	8,113,392	B2	2/2012	Gouldson	
5,590,822	A	1/1997	Zuckerman	8,113,394	B2	2/2012	Ho	
5,597,100	A	1/1997	Blitz	8,141,756	B2	3/2012	Mainetti	
D377,717	S *	2/1997	Gouldson	8,225,538	B2	7/2012	Warren et al.	
5,603,437	A	2/1997	Zuckerman	8,281,965	B2 *	10/2012	Chan	A47G 25/1428 223/85
5,611,469	A	3/1997	Eiley et al.	8,286,841	B2 *	10/2012	Louw	A47G 25/1435 223/85
5,613,629	A	3/1997	Zuckerman	D673,782	S	1/2013	Presser	
5,641,100	A	6/1997	Mitchell et al.	D673,783	S	1/2013	Presser	
5,642,840	A	7/1997	Abdi	D680,759	S	4/2013	Jones	
5,683,018	A	11/1997	Sullivan et al.	8,418,894	B2	4/2013	Gouldson	
5,775,553	A	7/1998	Marshall et al.	D755,529	S	5/2016	Schlang	
5,778,575	A	7/1998	Deupree et al.	D806,410	S	1/2018	Denby et al.	
5,785,216	A	7/1998	Gouldson et al.	D811,755	S	3/2018	Taylor	
5,794,363	A	8/1998	Marshall et al.	D816,351	S	5/2018	Clark et al.	
5,819,995	A	10/1998	Zuckerman	D826,583	S	8/2018	Ho	
5,944,237	A	8/1999	Gouldson	D828,696	S	9/2018	Ho	
D414,044	S	9/1999	Choi et al.	D834,338	S	11/2018	Taylor et al.	
5,992,714	A	11/1999	Morgan	D839,613	S	2/2019	Martell et al.	
6,019,260	A	2/2000	Gouldson	D839,614	S	2/2019	Ho	
6,029,868	A	2/2000	Willinger et al.	D843,741	S	3/2019	Clark et al.	
6,041,983	A	3/2000	Sullivan et al.	D843,742	S	3/2019	Clark et al.	
6,041,984	A	3/2000	Gouldson	D850,801	S *	6/2019	Kariker	D6/318
6,145,713	A	11/2000	Zuckerman	D850,802	S *	6/2019	Kariker	D6/318
6,189,746	B1	2/2001	Gouldson	D853,137	S *	7/2019	Martell	D6/328
6,209,241	B1	4/2001	Louw	2001/0011663	A1	8/2001	Olk et al.	
6,378,744	B2	4/2002	Olk et al.	2002/0184799	A1	12/2002	Chou	
6,382,478	B2	5/2002	Gouldson et al.	2003/0173381	A1	9/2003	Louw	
6,422,437	B2	7/2002	Gouldson et al.	2003/0178451	A1	9/2003	Giustini et al.	
6,499,633	B1	12/2002	Pogmore	2003/0209577	A1	11/2003	Gouldson et al.	
6,564,980	B2	5/2003	Gouldson et al.	2003/0222107	A1	12/2003	Stein et al.	
6,609,640	B1	8/2003	Bokmiller	2004/0188475	A1	9/2004	Gouldson	
6,622,897	B2	9/2003	Bokmiller et al.	2004/0206787	A1	10/2004	Kolton et al.	
6,644,520	B2	11/2003	Lam	2004/0211796	A1	10/2004	Misumi	
6,705,496	B2	3/2004	Marshall et al.	2006/0011673	A1	1/2006	Gouldson	
6,726,067	B2	4/2004	Louw	2006/0049222	A1	3/2006	Pluchino et al.	
6,865,832	B1	3/2005	Goldman	2006/0208014	A1	9/2006	Gouldson et al.	
D506,078	S	6/2005	Leung et al.	2006/0208015	A1	9/2006	Gouldson et al.	
D506,620	S	6/2005	Leung et al.	2006/0213938	A1	9/2006	Gouldson	
D507,120	S	7/2005	Leung et al.	2007/0000957	A1	1/2007	Stein et al.	
6,915,931	B2	7/2005	Gouldson et al.	2007/0062984	A1	3/2007	Louw	
6,932,251	B2	8/2005	Kolton et al.	2007/0084889	A1	4/2007	Fleming	
D509,073	S	9/2005	Leung et al.	2007/0090134	A1	4/2007	Wu	
6,948,269	B2	9/2005	Wang	2007/0145084	A1	6/2007	Goldman	
6,978,917	B2	12/2005	Giustini et al.	2007/0151997	A1	7/2007	Chen	
D523,741	S	6/2006	Pluchino et al.	2007/0158373	A1	7/2007	Yau	
D524,150	S	7/2006	Stein et al.	2007/0158374	A1	7/2007	Chan	
D527,194	S	8/2006	Yau	2007/0158375	A1	7/2007	Yau	
D533,362	S	12/2006	Giampavolo	2007/0175932	A1	8/2007	Wu	
7,178,705	B1	2/2007	Sutton	2007/0187439	A1	8/2007	Louw	
7,201,297	B1	4/2007	Baziuk	2007/0199963	A1	8/2007	Gouldson	
D547,557	S	7/2007	Wu	2007/0246490	A1	10/2007	Gouldson	
7,240,813	B1	7/2007	Goldman	2007/0257071	A1	11/2007	Gouldson	
7,246,729	B2	7/2007	Harvey et al.	2007/0272716	A1	11/2007	Wu	
7,278,558	B1	10/2007	Sutton et al.	2007/0278259	A1	12/2007	Wong	
7,278,559	B1	10/2007	Sutton et al.	2008/0011791	A1	1/2008	Wu	
D554,378	S	11/2007	Niederer	2008/0011792	A1	1/2008	Gouldson et al.	
7,303,101	B2	12/2007	Goldman	2008/0035685	A1	2/2008	Matkovich et al.	
7,318,540	B1	1/2008	Sutton et al.	2009/0120973	A1	5/2009	Ho	
7,380,359	B2	6/2008	Mainetti	2009/0127298	A1	5/2009	Sprovieri	
7,464,842	B2	12/2008	Gouldson	2009/0145937	A1	6/2009	Gouldson	
7,516,875	B2	4/2009	Gouldson	2009/0159621	A1	6/2009	Gouldson	
D605,417	S	12/2009	Warren et al.	2009/0212080	A1	8/2009	Goldman	
				2009/0294492	A1	12/2009	Goldman et al.	
				2009/0294493	A1	12/2009	Ho et al.	

(56)

References Cited

U.S. PATENT DOCUMENTS

2009/0294494	A1	12/2009	Ho
2010/0019002	A1	1/2010	Gouldson
2010/0270338	A1	10/2010	Mainetti
2011/0042423	A1	2/2011	Gouldson
2011/0101044	A1	5/2011	Chan
2012/0067929	A1	3/2012	Gouldson
2012/0097716	A1	4/2012	Gouldson
2012/0181309	A1	7/2012	Mainetti
2012/0292352	A1	11/2012	Gouldson
2017/0000278	A1	1/2017	Hansen et al.

* cited by examiner

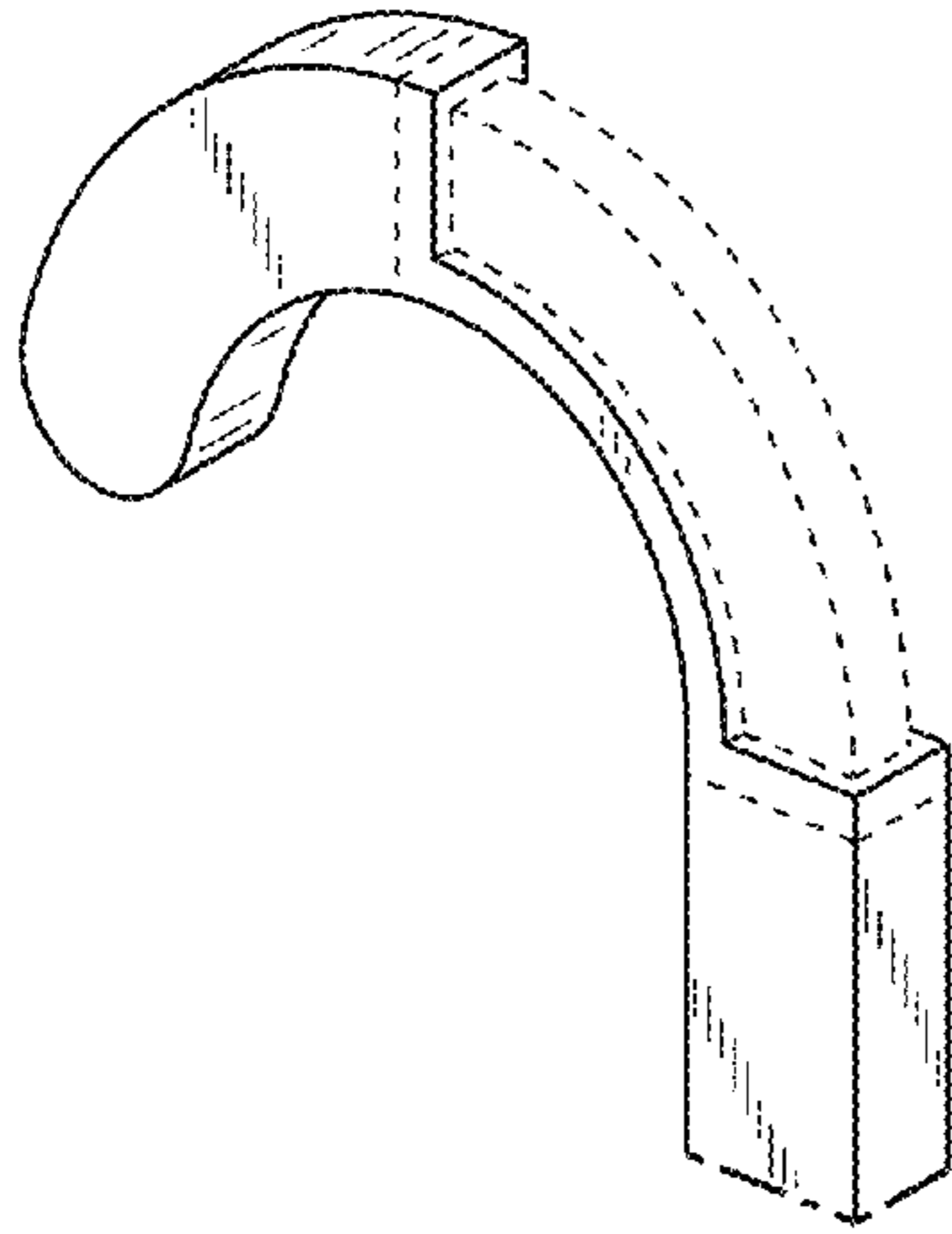


FIG. 1

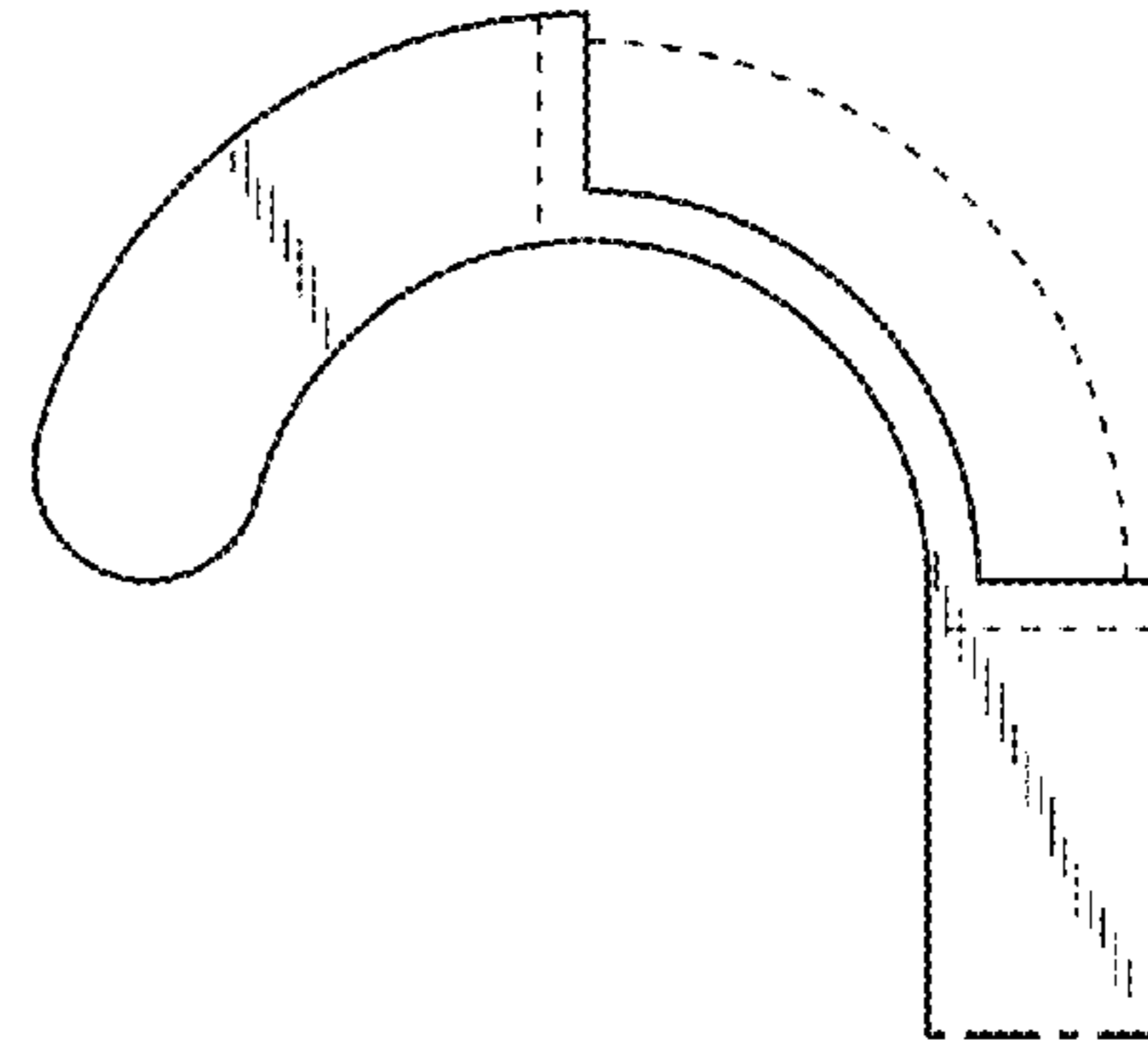


FIG. 2

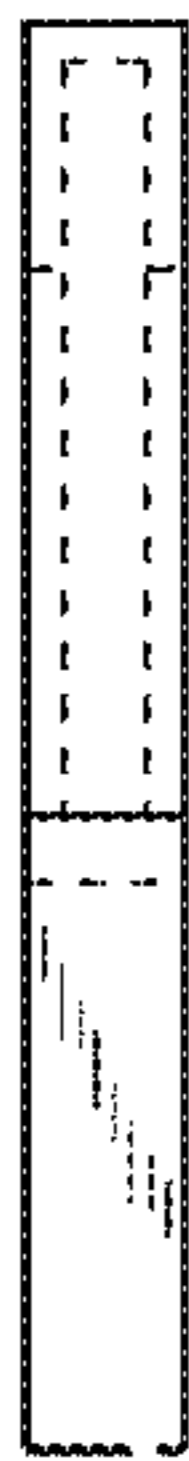


FIG. 3



FIG. 4



FIG. 5



FIG. 6