

US00D866993S

(12) **United States Design Patent**  
**Roebuck**

(10) **Patent No.: US D866,993 S**

(45) **Date of Patent: \*\* \*Nov. 19, 2019**

(54) **HANGER ADAPTER**

(71) Applicant: **Ellen Roebuck**, Los Angeles, CA (US)

(72) Inventor: **Ellen Roebuck**, Los Angeles, CA (US)

(\*) Notice: This patent is subject to a terminal disclaimer.

(\*\*) Term: **15 Years**

(21) Appl. No.: **29/670,531**

(22) Filed: **Nov. 16, 2018**

**Related U.S. Application Data**

(63) Continuation-in-part of application No. 29/640,904, filed on Mar. 19, 2018.

(51) **LOC (12) Cl.** ..... **06-08**

(52) **U.S. Cl.**  
USPC ..... **D6/328**

(58) **Field of Classification Search**  
USPC ..... D6/315-328  
CPC ..... A47G 25/26; A47G 25/30; A47G 25/20;  
A47G 25/183; A47G 25/186  
See application file for complete search history.

(56) **References Cited**

**U.S. PATENT DOCUMENTS**

2,023,443	A	12/1935	Donald et al.	
2,037,325	A	4/1936	Emile et al.	
2,089,077	A *	8/1937	Todd	A47G 25/26 223/88
2,187,535	A	1/1940	Kamig et al.	
2,221,848	A	11/1940	Ruen et al.	
2,228,918	A	1/1941	Wesselmann et al.	
2,374,330	A *	4/1945	Coney	A47G 25/26 223/88
2,510,043	A	5/1950	Tillery et al.	
2,550,167	A *	4/1951	Simmons	A47G 25/26 223/88
2,591,163	A	4/1952	Kivett et al.	

2,641,391	A	6/1953	Tillery et al.	
2,665,829	A *	1/1954	Tillery	A47G 25/26 223/98
2,687,243	A *	8/1954	Rasmussen	A47G 25/26 223/98
2,710,124	A	6/1955	Laumeyer et al.	
2,739,745	A *	3/1956	Tufts	A47G 25/26 223/98
2,819,829	A *	1/1958	Gensmer	A47G 25/26 223/98
2,859,903	A *	11/1958	Tufts	A47G 25/26 223/98
3,071,298	A *	1/1963	Tufts	A47G 25/30 223/98
3,157,324	A *	11/1964	Barnes	A47G 25/26 223/88

(Continued)

*Primary Examiner* — Lauren R Calve

(74) *Attorney, Agent, or Firm* — Dunlap Bennett & Ludwig PLLC

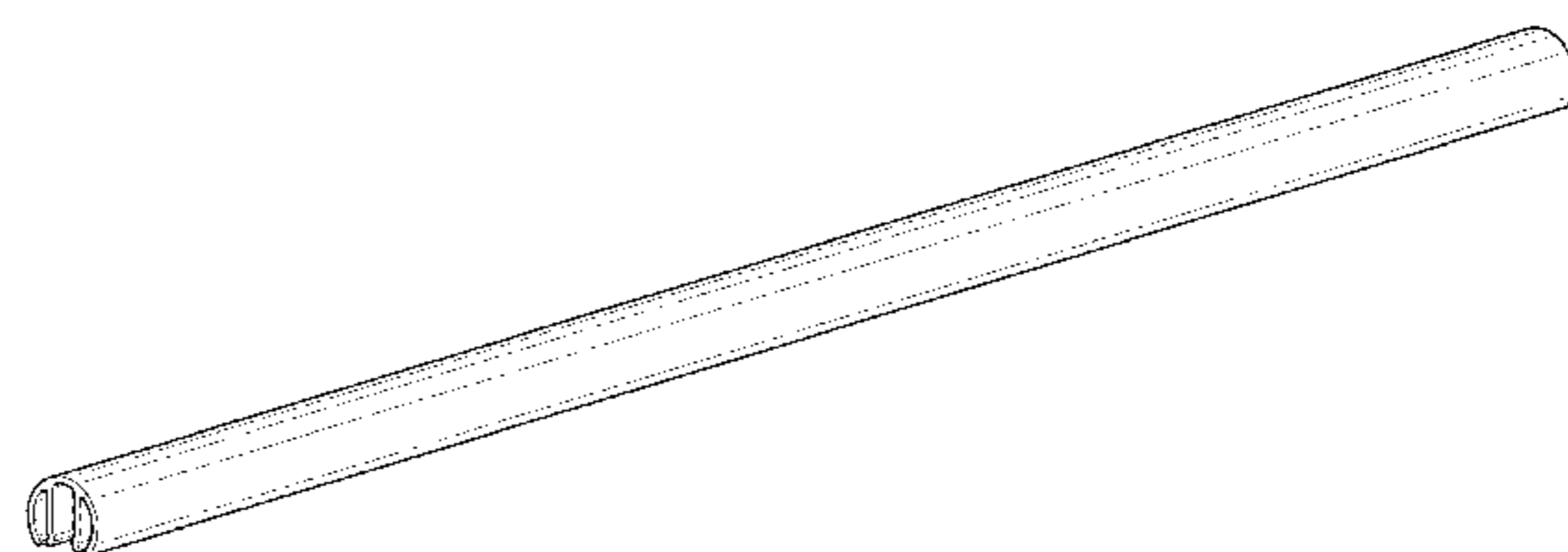
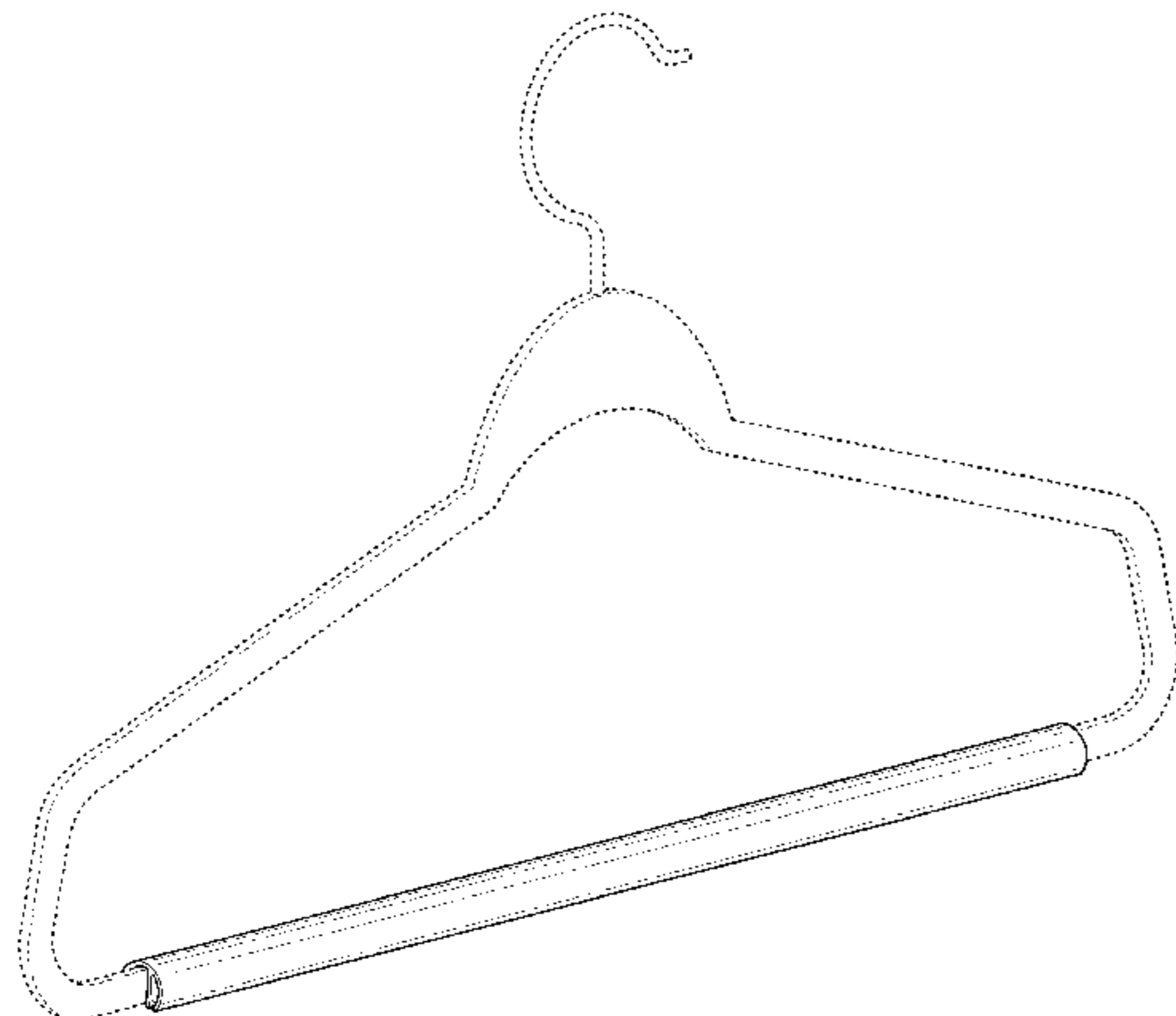
(57) **CLAIM**

The ornamental design for a hanger adapter, as shown and described.

**DESCRIPTION**

FIG. 1 is a front perspective view of a hanger adapter shown in environmental use;  
FIG. 2 is a front perspective view of the hanger adapter of FIG. 1;  
FIG. 3 is a front elevation view thereof, the rear elevation view being an identical image thereof;  
FIG. 4 is a left side elevation view thereof, the right side elevation view being an identical image thereof;  
FIG. 5 is a top plan view thereof; and,  
FIG. 6 is a bottom plan thereof.  
The broken lines shown in the drawings depict a clothes hanger that forms no part of the claimed invention.

**1 Claim, 3 Drawing Sheets**



(56)

**References Cited**

U.S. PATENT DOCUMENTS

3,189,236	A *	6/1965	Tillery .....	A47G 25/26 223/98
3,301,446	A	1/1967	Braswell et al.	
3,512,228	A	5/1970	Carvell et al.	
3,963,155	A	6/1976	Bish	
D269,910	S	7/1983	Johansson	
4,454,969	A	6/1984	Huth	
4,632,287	A	12/1986	Bevelander	
6,126,049	A	10/2000	Gish	
6,213,359	B1	4/2001	Gish	
D459,900	S *	7/2002	Gustafson .....	D6/328
D464,813	S	10/2002	Lin	
D488,309	S	4/2004	Atwood	
D505,020	S *	5/2005	Fischer .....	D6/328
D515,828	S *	2/2006	Fischer .....	D6/328
D524,558	S *	7/2006	Fischer .....	D6/328
D536,182	S *	2/2007	Fischer .....	D6/328
D640,876	S *	7/2011	Cohen .....	D6/319
D650,595	S *	12/2011	Ruminson .....	D6/328
RE45,533	E *	6/2015	Cohen .....	D6/319
D737,581	S *	9/2015	Li .....	D6/319
2003/0136806	A1	7/2003	Mainetti	
2008/0272158	A1 *	11/2008	Lee .....	A47G 25/20 223/98

\* cited by examiner

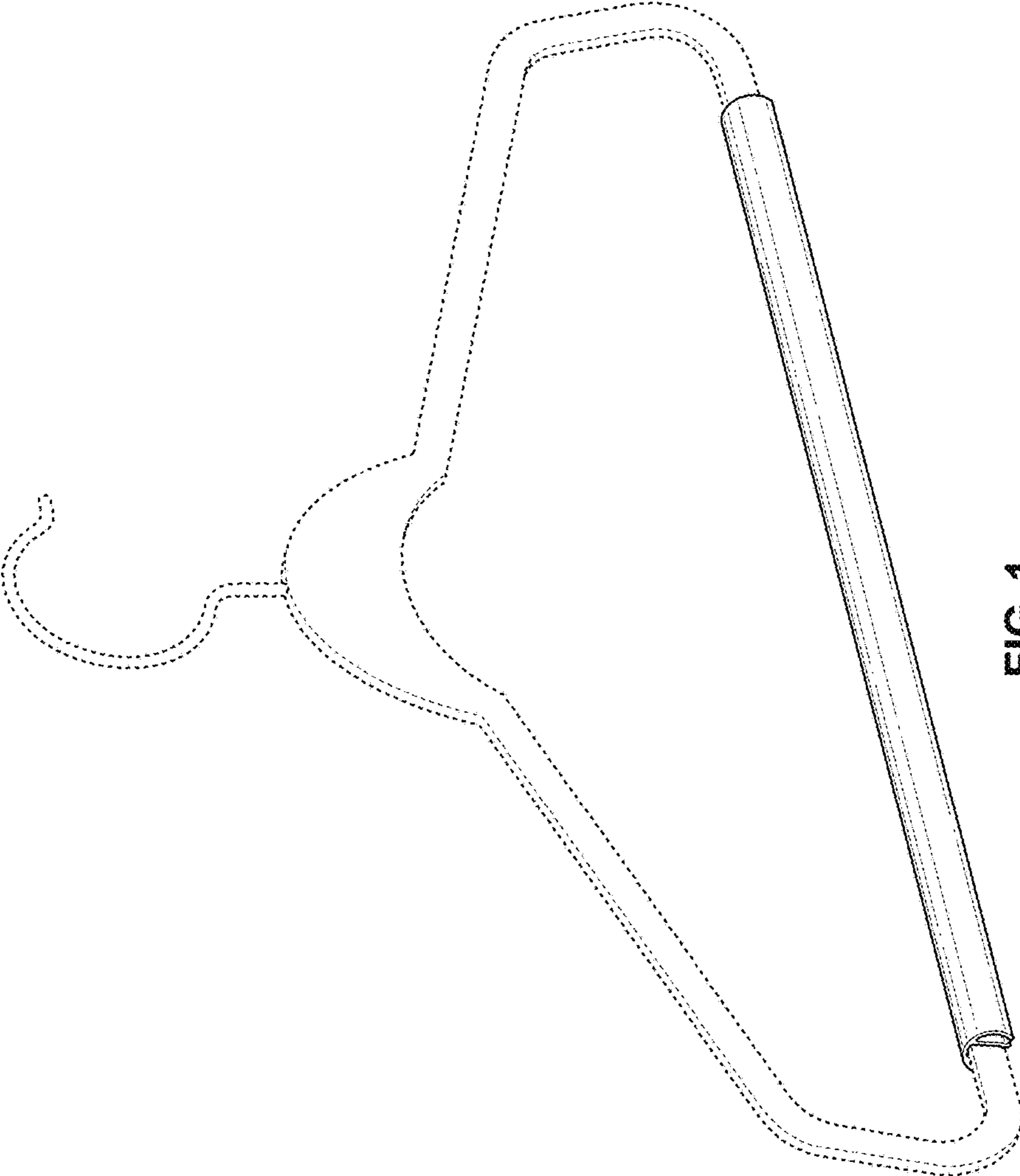


FIG. 1

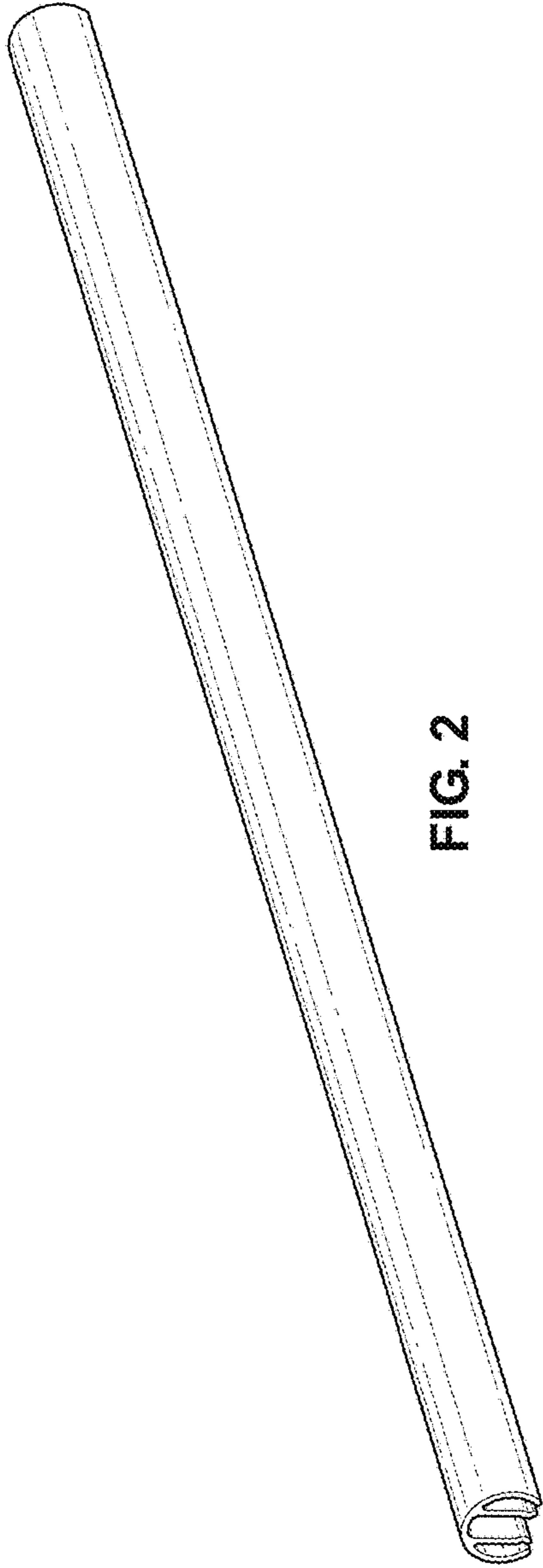


FIG. 2

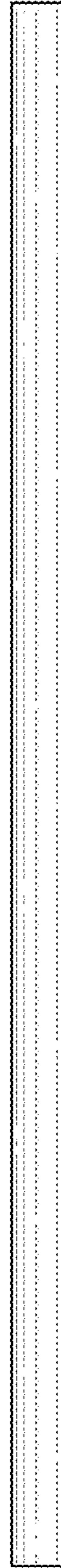


FIG. 3



FIG. 4

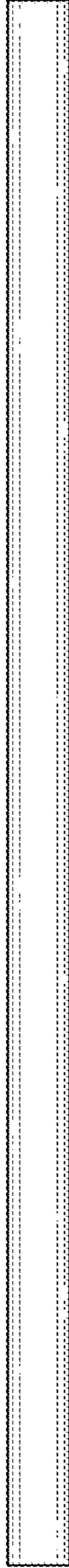


FIG. 5

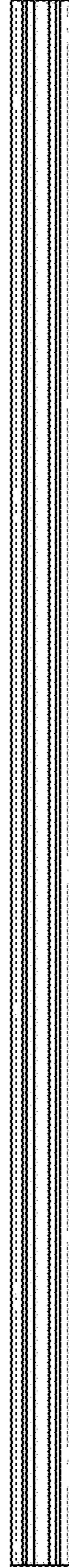


FIG. 6