

US00D866990S

(12) **United States Design Patent**
Nie

(10) **Patent No.:** **US D866,990 S**

(45) **Date of Patent:** **** Nov. 19, 2019**

(54) **PANTS HANGER**

(71) Applicant: **SHENZHEN ESEOE TECHNOLOGY CO., LIMITED**,
Shenzhen (CN)

(72) Inventor: **Yicai Nie**, Shenzhen (CN)

(73) Assignee: **SHENZHEN ESEOE TECHNOLOGY CO., LIMITED**,
Shenzhen (CN)

(**) Term: **15 Years**

(21) Appl. No.: **29/664,378**

(22) Filed: **Sep. 25, 2018**

(51) **LOC (12) Cl.** **06-08**

(52) **U.S. Cl.**
USPC **D6/326**

(58) **Field of Classification Search**
USPC D6/315-328
CPC A47G 25/32; A47G 25/26; A47G 25/28;
A47G 25/485; A47G 25/487; A47G
25/20; A47G 25/481; A47G 25/442;
A47G 25/24; A47G 25/48; A47G 25/486;
A47G 25/36; A47G 25/1407; A47G
25/30; A47G 25/14; A47G 25/743; A47G
25/1457

See application file for complete search history.

(56) **References Cited**

U.S. PATENT DOCUMENTS

2,725,164 A * 11/1955 Mordkin A47G 25/485
223/96
3,268,128 A * 8/1966 Ernst A47G 25/485
223/96
4,034,903 A * 7/1977 Batts A47F 7/163
223/96

4,623,080 A * 11/1986 Roloff A47G 25/622
223/95
D328,194 S * 7/1992 Garrison D6/317
5,398,854 A * 3/1995 Blanchard A47G 25/485
223/85
5,915,605 A * 6/1999 Blanchard A47G 25/485
223/91
5,934,525 A * 8/1999 Blanchard A47G 25/183
223/85
6,098,254 A * 8/2000 Willinger A47G 25/483
24/501
D490,681 S * 6/2004 Sugita D6/318
D504,024 S * 4/2005 Mainetti D6/326
D531,823 S * 11/2006 Mainetti D6/326
D586,568 S * 2/2009 Jones D6/326
D605,416 S * 12/2009 Warren D6/328

(Continued)

Primary Examiner — Lauren R Calve

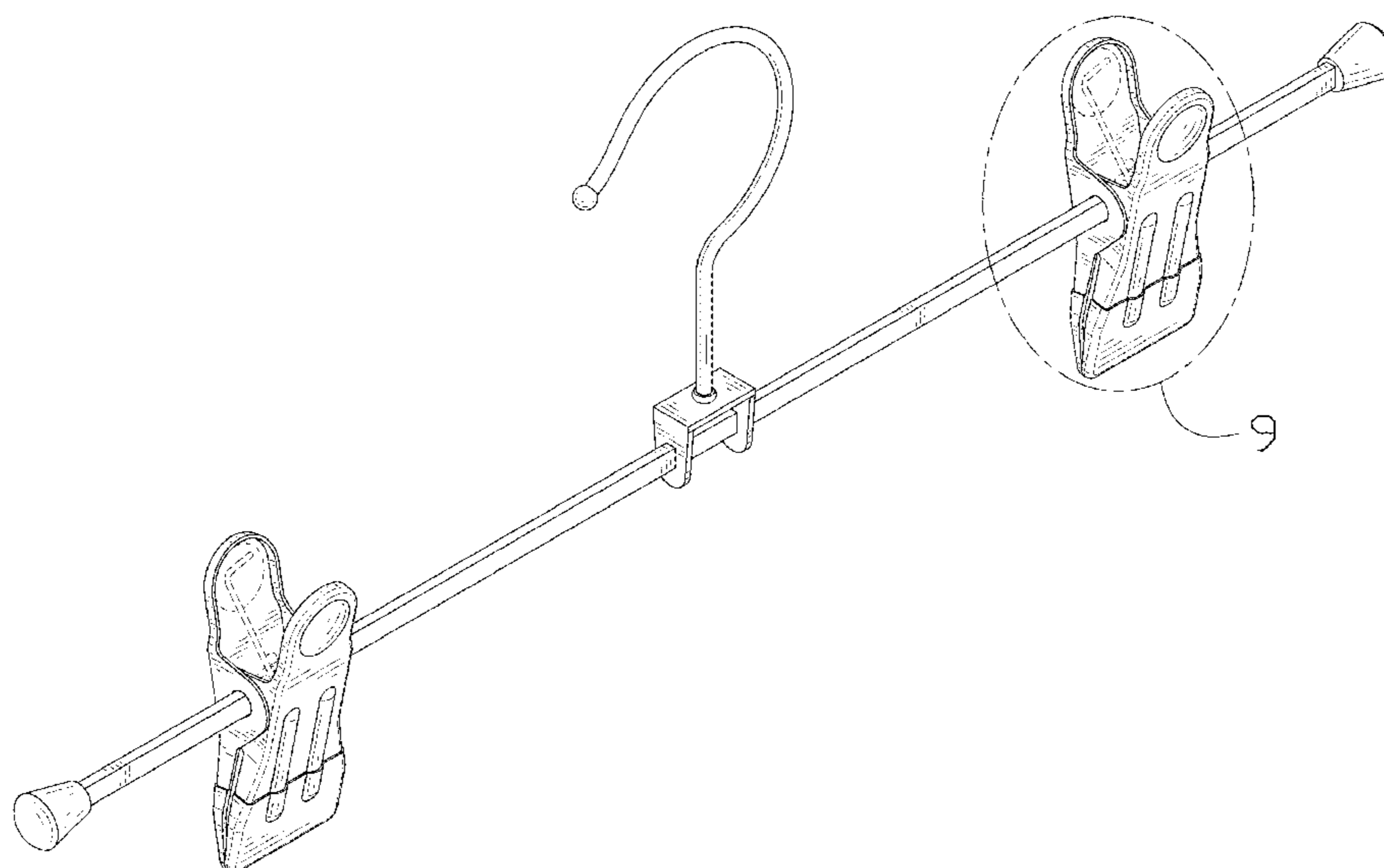
(57) **CLAIM**

The ornamental design for a pants hanger, as shown and described.

DESCRIPTION

FIG. 1 is a perspective view of a pants hanger showing my new design;
FIG. 2 is another perspective view thereof;
FIG. 3 is a front elevational view thereof;
FIG. 4 is a rear elevational view thereof;
FIG. 5 is a left side elevational view thereof;
FIG. 6 is a right side elevational view thereof;
FIG. 7 is a top plan view thereof;
FIG. 8 is a bottom plan view thereof;
FIG. 9 is an enlarged view of a circle portion 9 of FIG. 1;
FIG. 10 is an enlarged view of a circle portion 10 of FIG. 2;
and,
FIG. 11 is an enlarged view of a circle portion 11 of FIG. 7.
The broken lines are for the purpose of illustrating portions of the pants hanger and form no part of the claimed design.

1 Claim, 11 Drawing Sheets



(56)

References Cited

U.S. PATENT DOCUMENTS

D727,633 S * 4/2015 Atkinson D6/323
D804,199 S * 12/2017 Jones D6/326

* cited by examiner

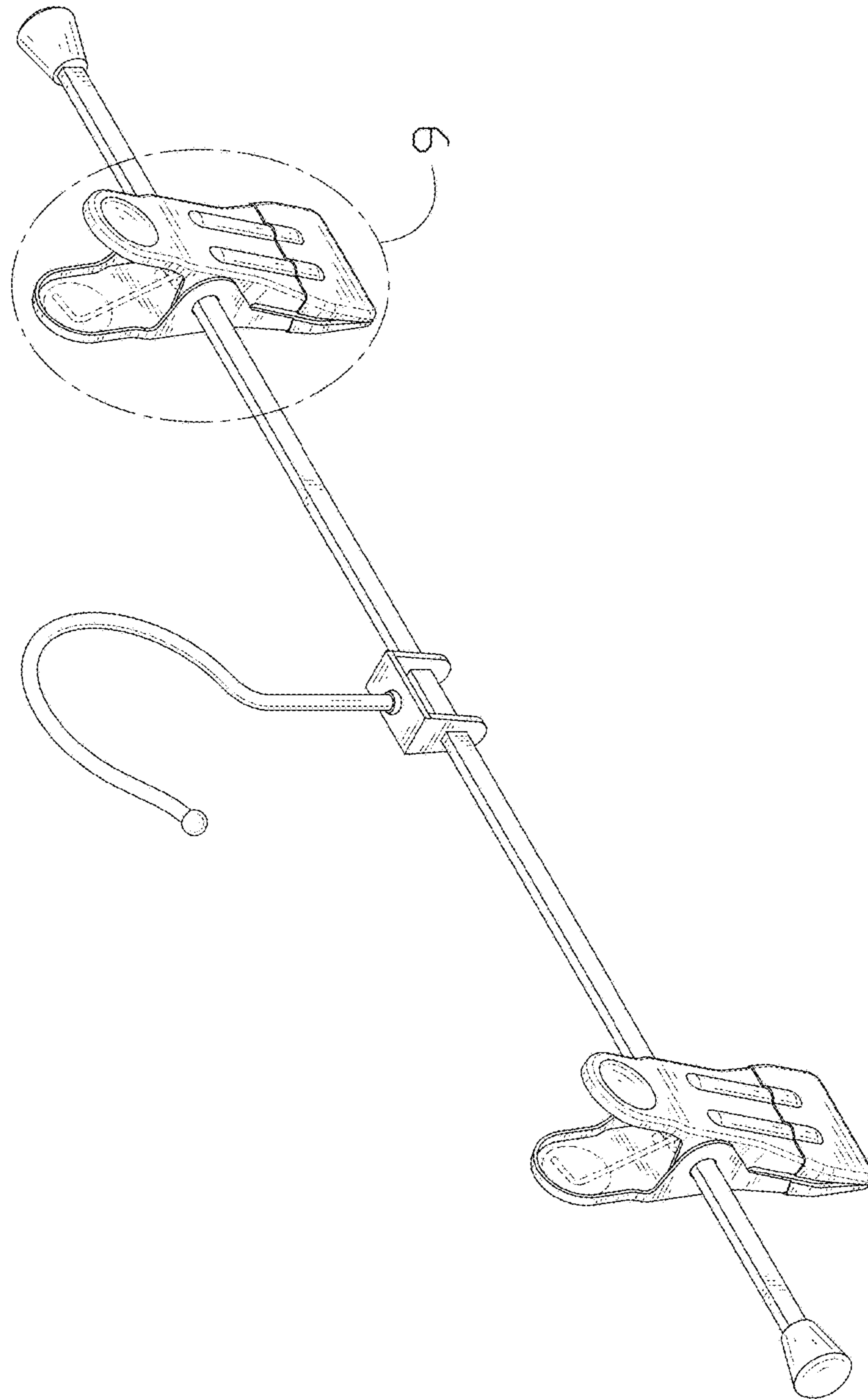


FIG. 1

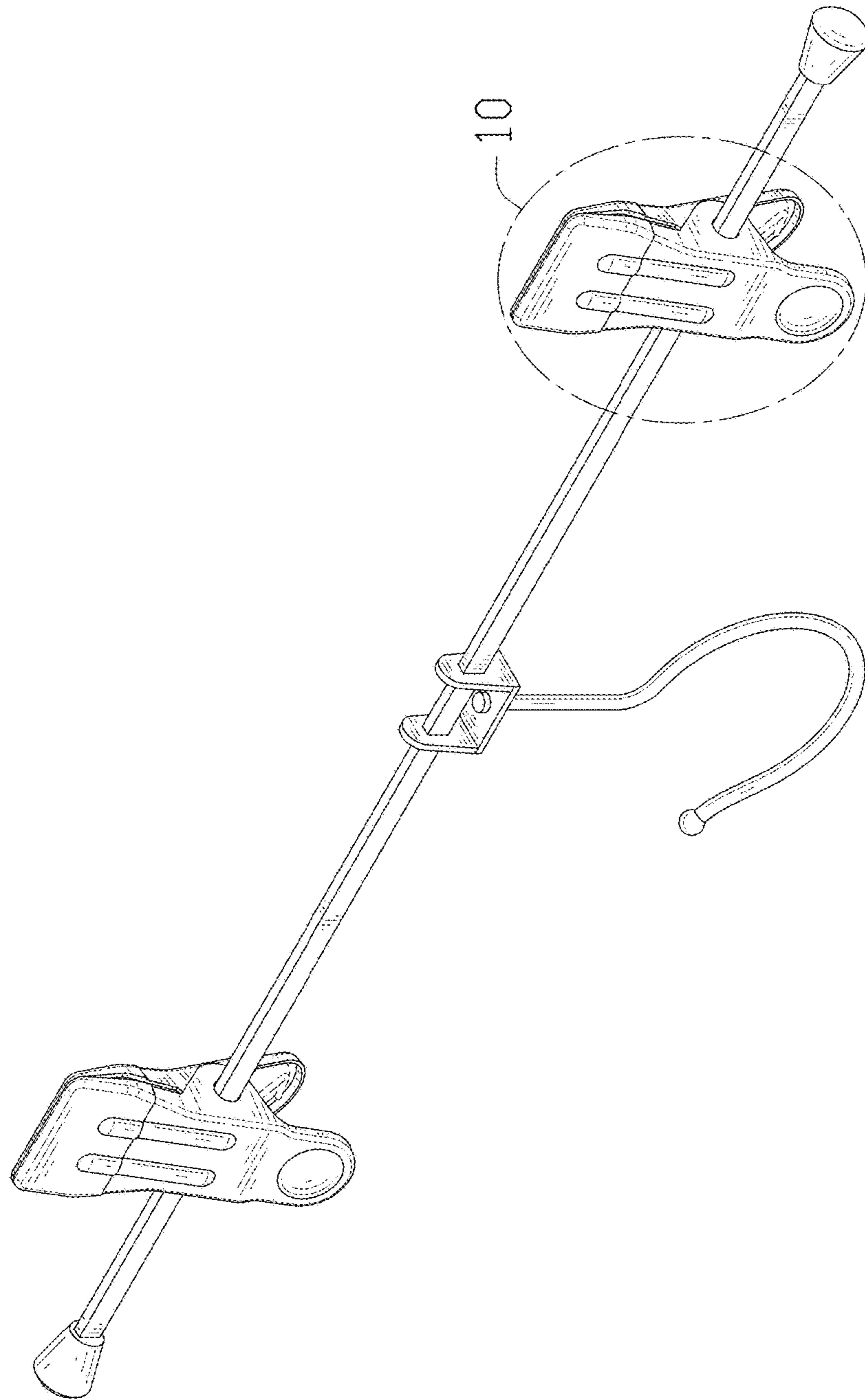


FIG. 2

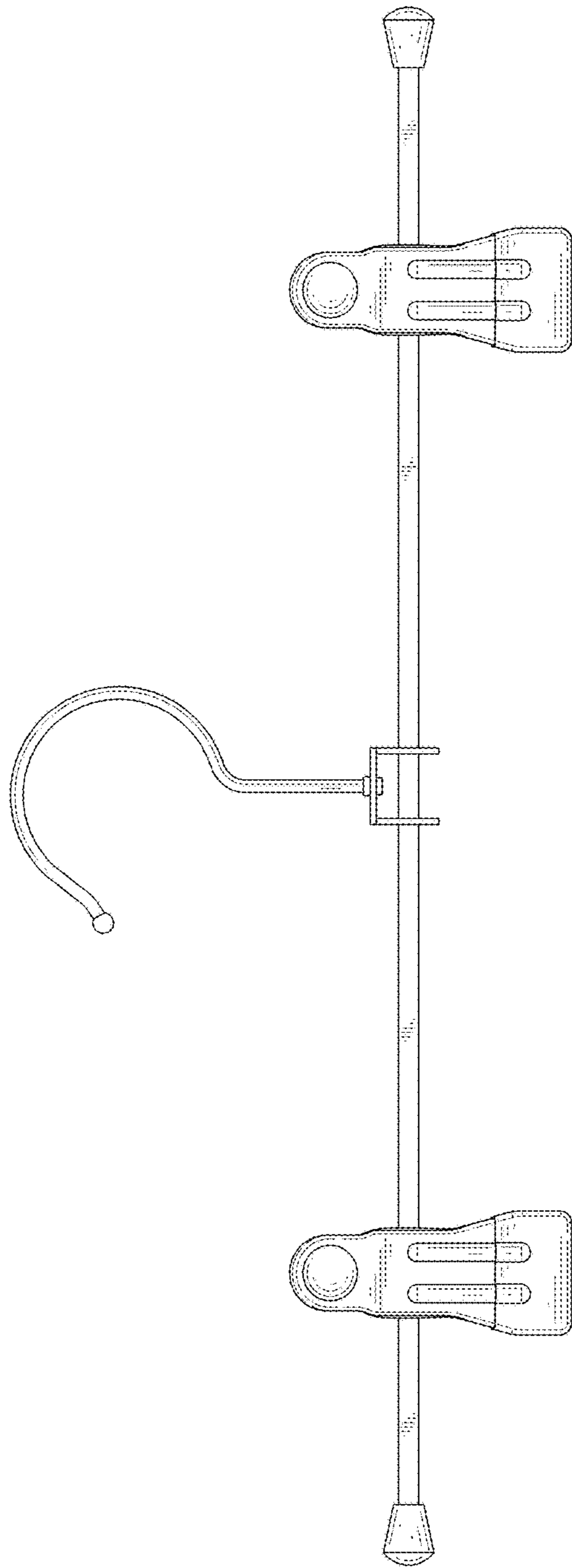


FIG. 3

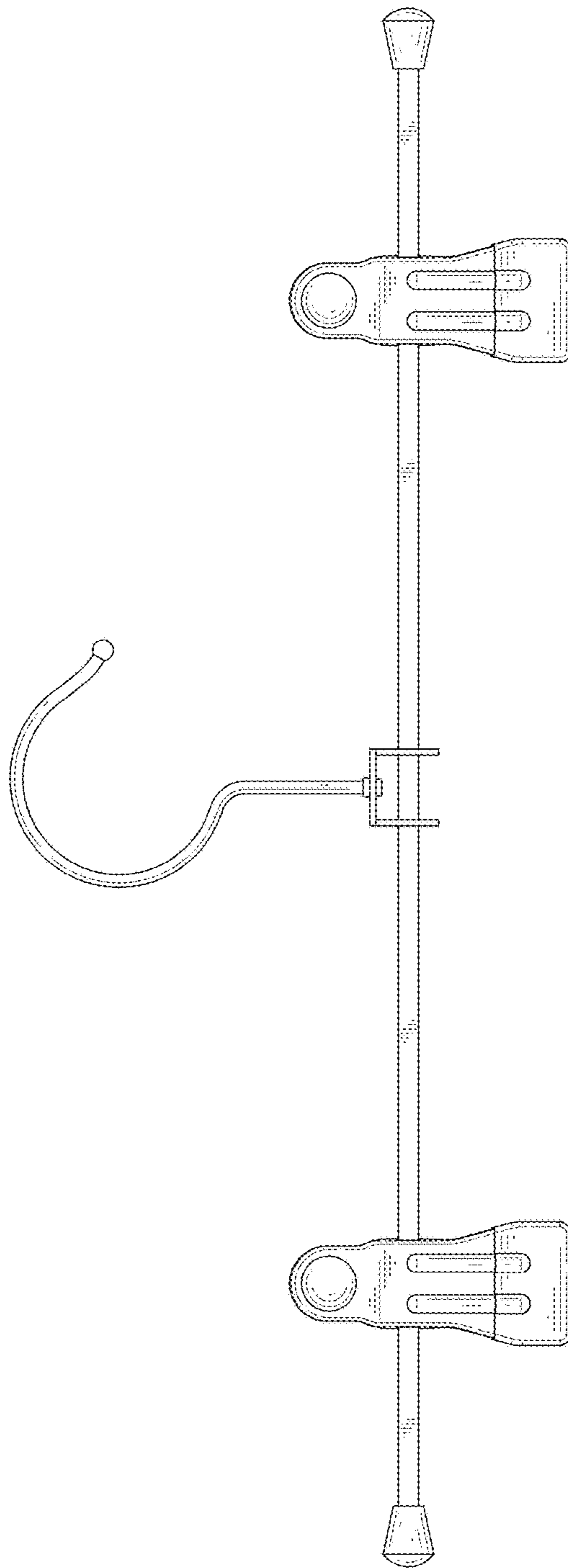


FIG. 4

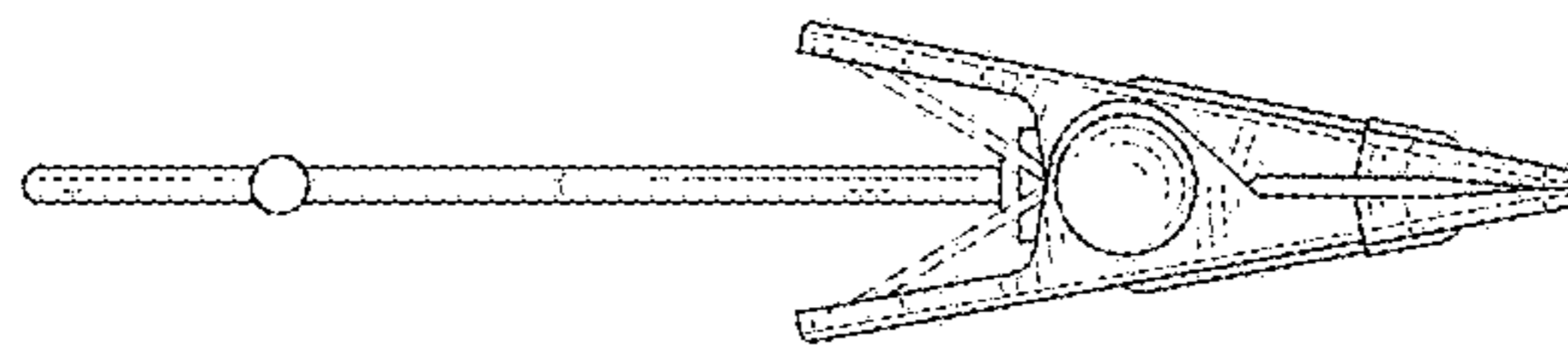


FIG. 5

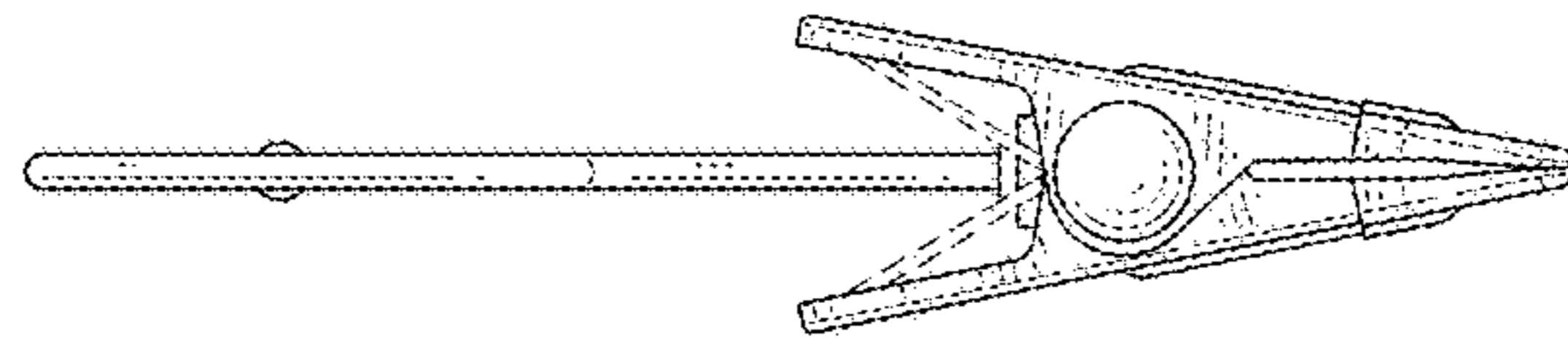


FIG. 6

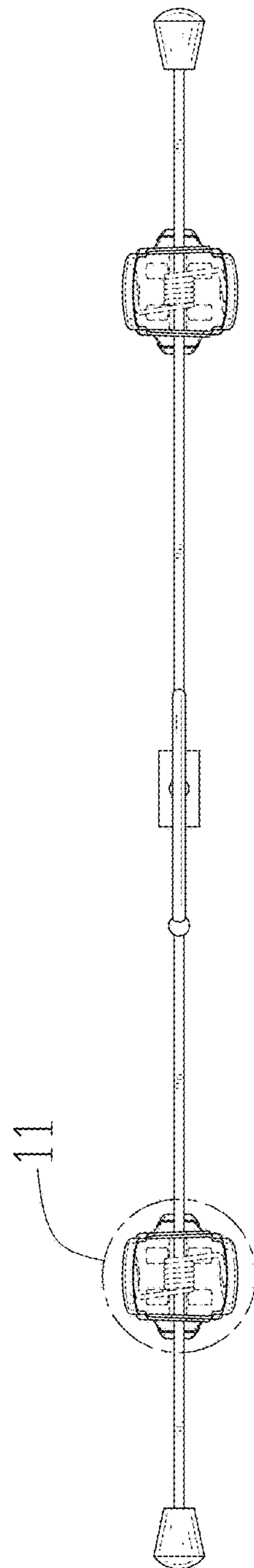


FIG. 7

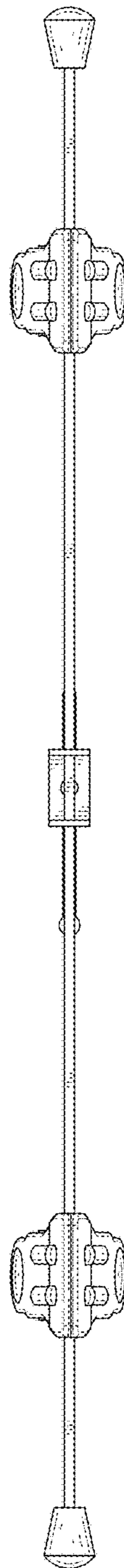


FIG. 8

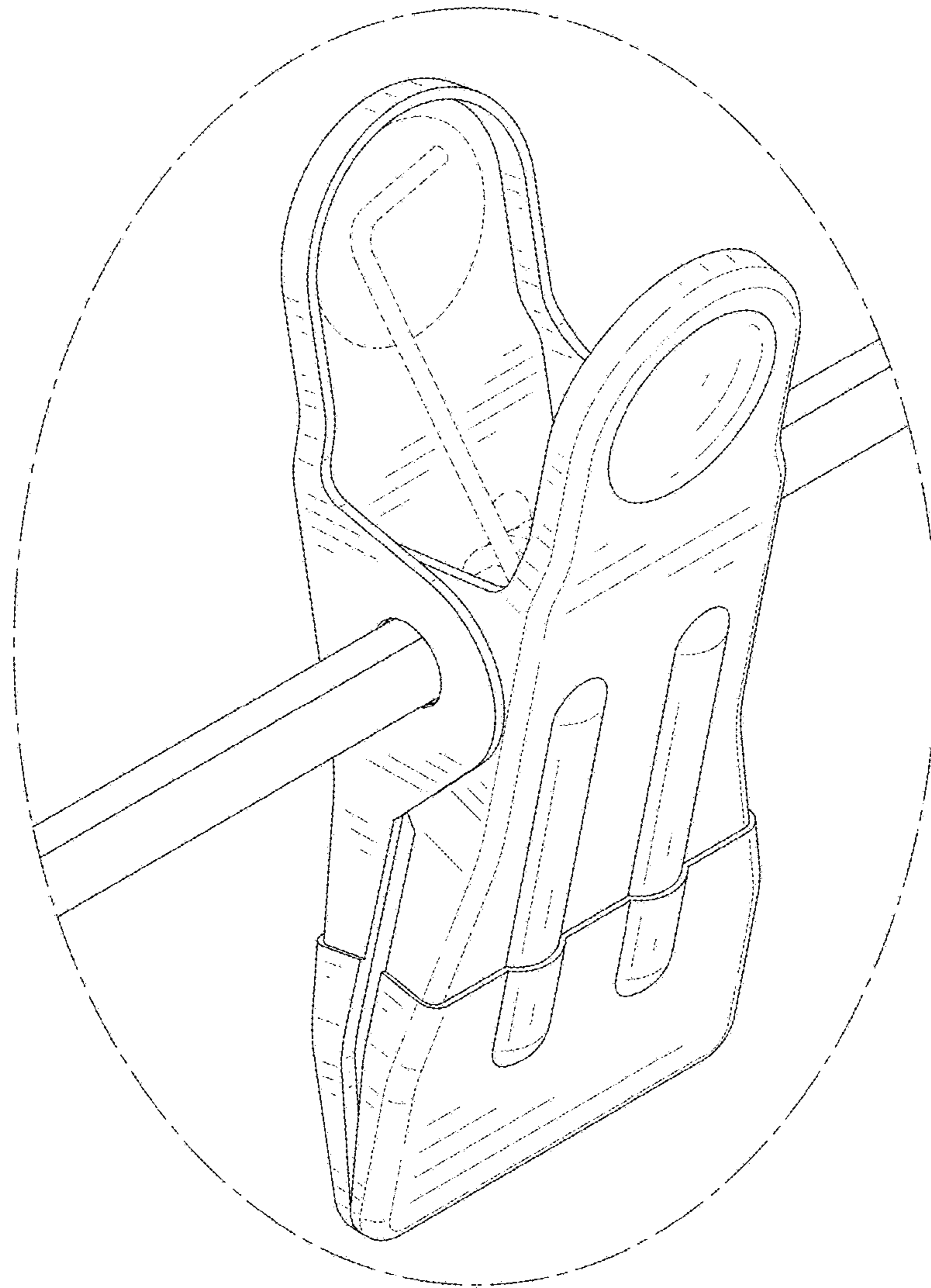


FIG. 9

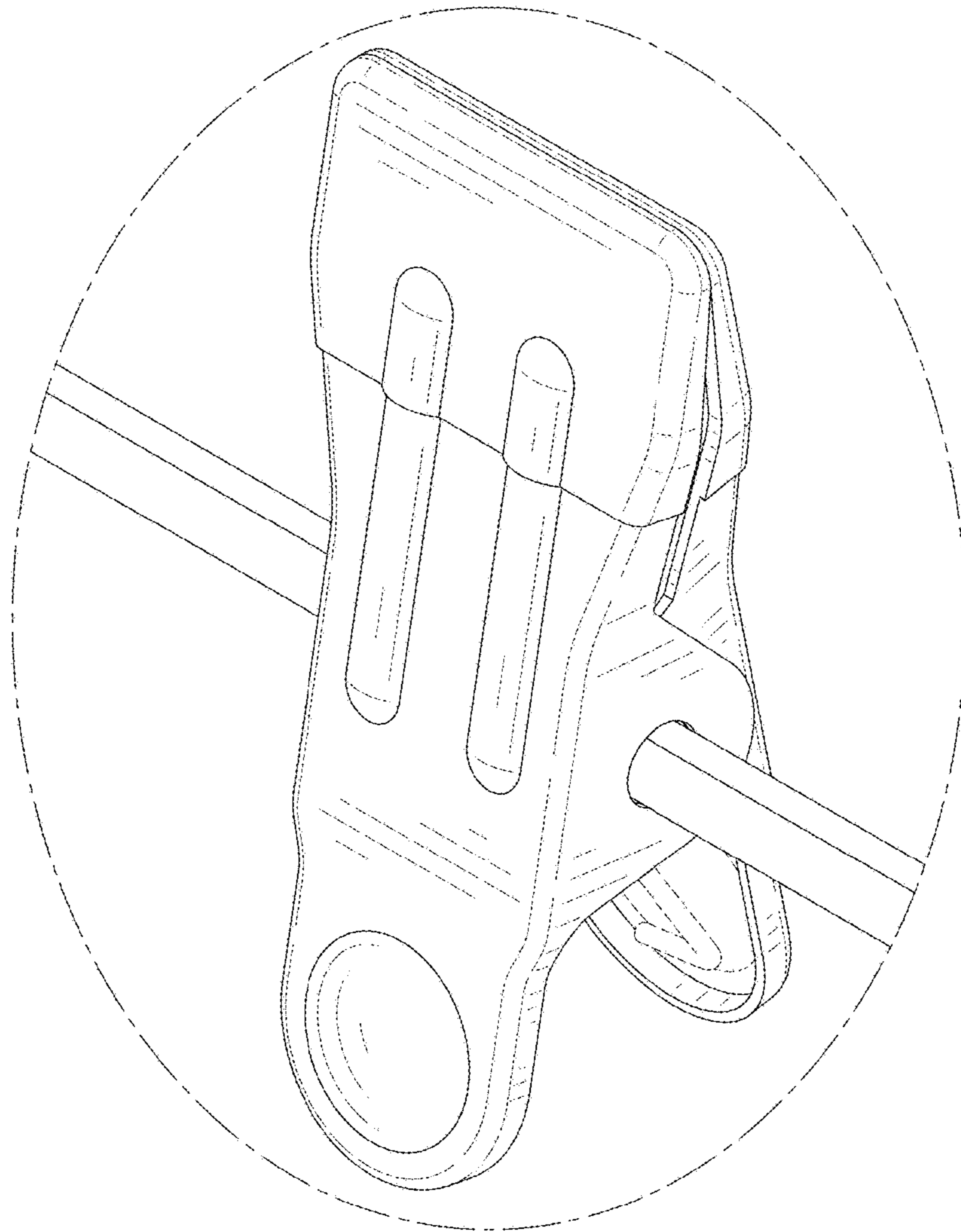


FIG. 10

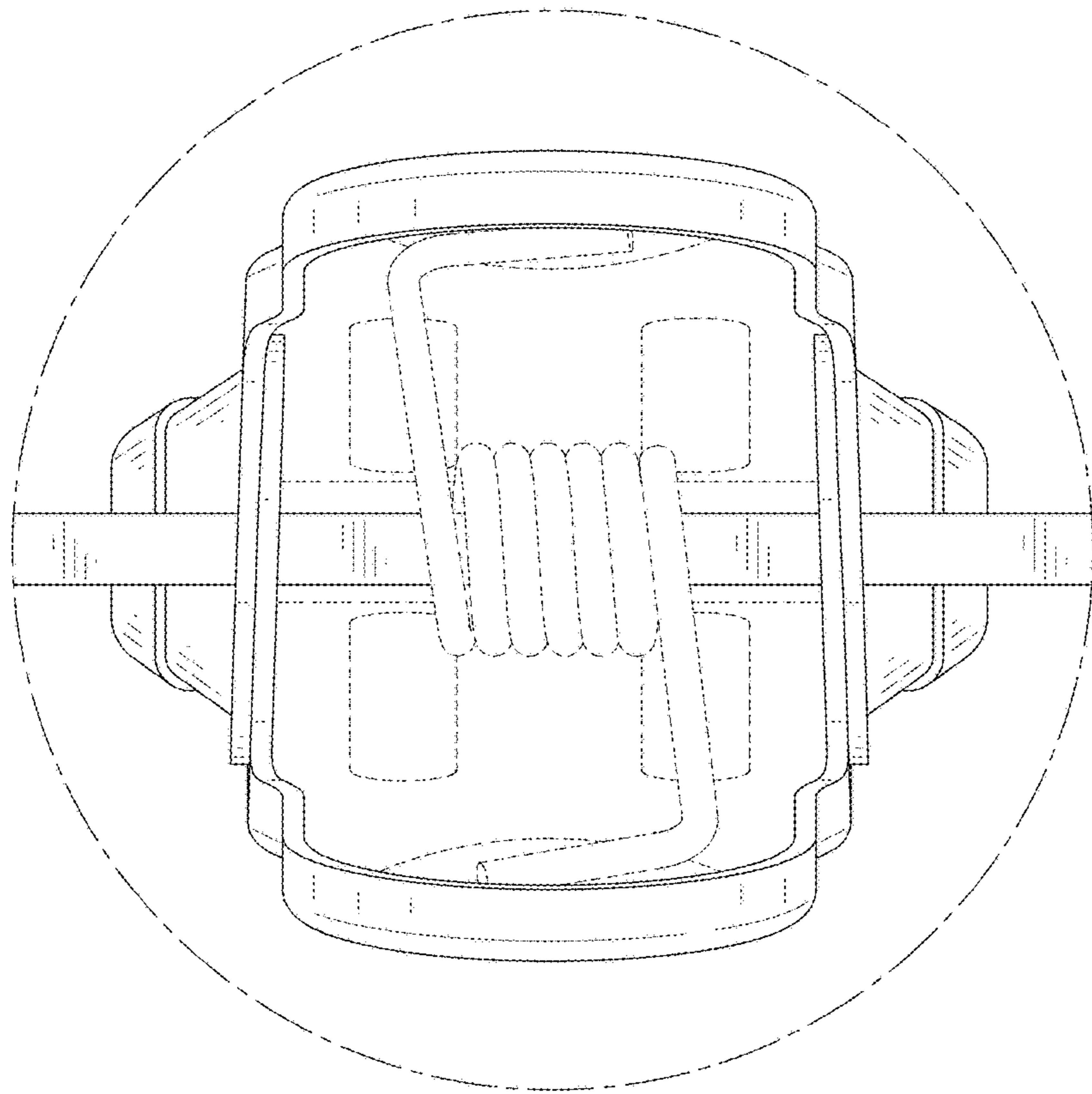


FIG. 11