



US00D866989S

(12) **United States Design Patent**  
**Zhu**

(10) **Patent No.:** **US D866,989 S**

(45) **Date of Patent:** **\*\* Nov. 19, 2019**

(54) **MIRROR**

(71) Applicant: **Han Zhu**, Heilongjiang (CN)

(72) Inventor: **Han Zhu**, Heilongjiang (CN)

(\*\*) Term: **15 Years**

(21) Appl. No.: **29/697,594**

(22) Filed: **Jul. 10, 2019**

(51) **LOC (12) Cl.** ..... **06-06**

(52) **U.S. Cl.**  
USPC ..... **D6/308**

(58) **Field of Classification Search**  
USPC ..... D6/300-314  
CPC .. A47G 1/00; A47G 2001/002; F21V 33/004;  
A45D 42/10  
See application file for complete search history.

(56) **References Cited**

**U.S. PATENT DOCUMENTS**

D210,340 S *	2/1968	D'Elia et al. ....	D6/308
D216,927 S *	3/1970	Cole et al. ....	D6/308
D224,575 S *	8/1972	Ishikawa et al. ....	D6/308
D579,671 S	11/2008	Mischel, Jr.	
D668,067 S *	10/2012	Frisch .....	D6/308

D779,217 S *	2/2017	Zhang .....	D6/308
D779,835 S *	2/2017	Zhang .....	D6/300
D809,322 S *	2/2018	Choi .....	D6/664.1
D825,940 S	8/2018	Liu	
2013/0027913 A1*	1/2013	Frisch .....	A45D 42/10 362/141
2018/0172262 A1*	6/2018	Garcia .....	F21V 33/004

\* cited by examiner

*Primary Examiner* — Deanna L Pratt

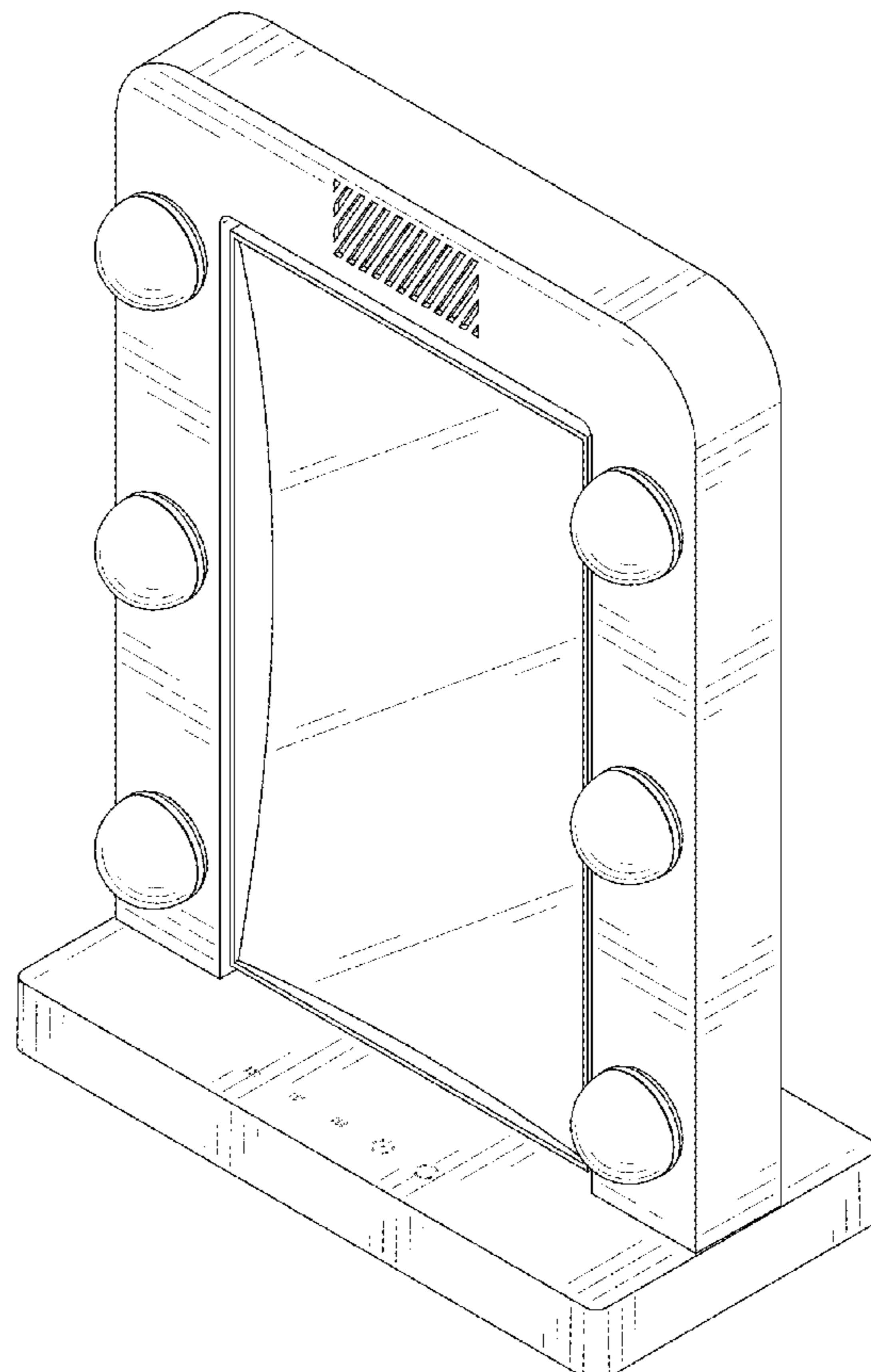
(57) **CLAIM**

The ornamental design for a mirror, as shown and described.

**DESCRIPTION**

FIG. 1 is a top perspective view of a mirror showing my new design;  
 FIG. 2 is a bottom perspective view thereof;  
 FIG. 3 is a front view thereof;  
 FIG. 4 is a back view thereof;  
 FIG. 5 is a left side view thereof;  
 FIG. 6 is a right side view thereof;  
 FIG. 7 is a top view thereof; and,  
 FIG. 8 is a bottom view thereof.  
 The broken lines in the figures illustrate portions of the mirror that form no part of the claimed design.

**1 Claim, 8 Drawing Sheets**



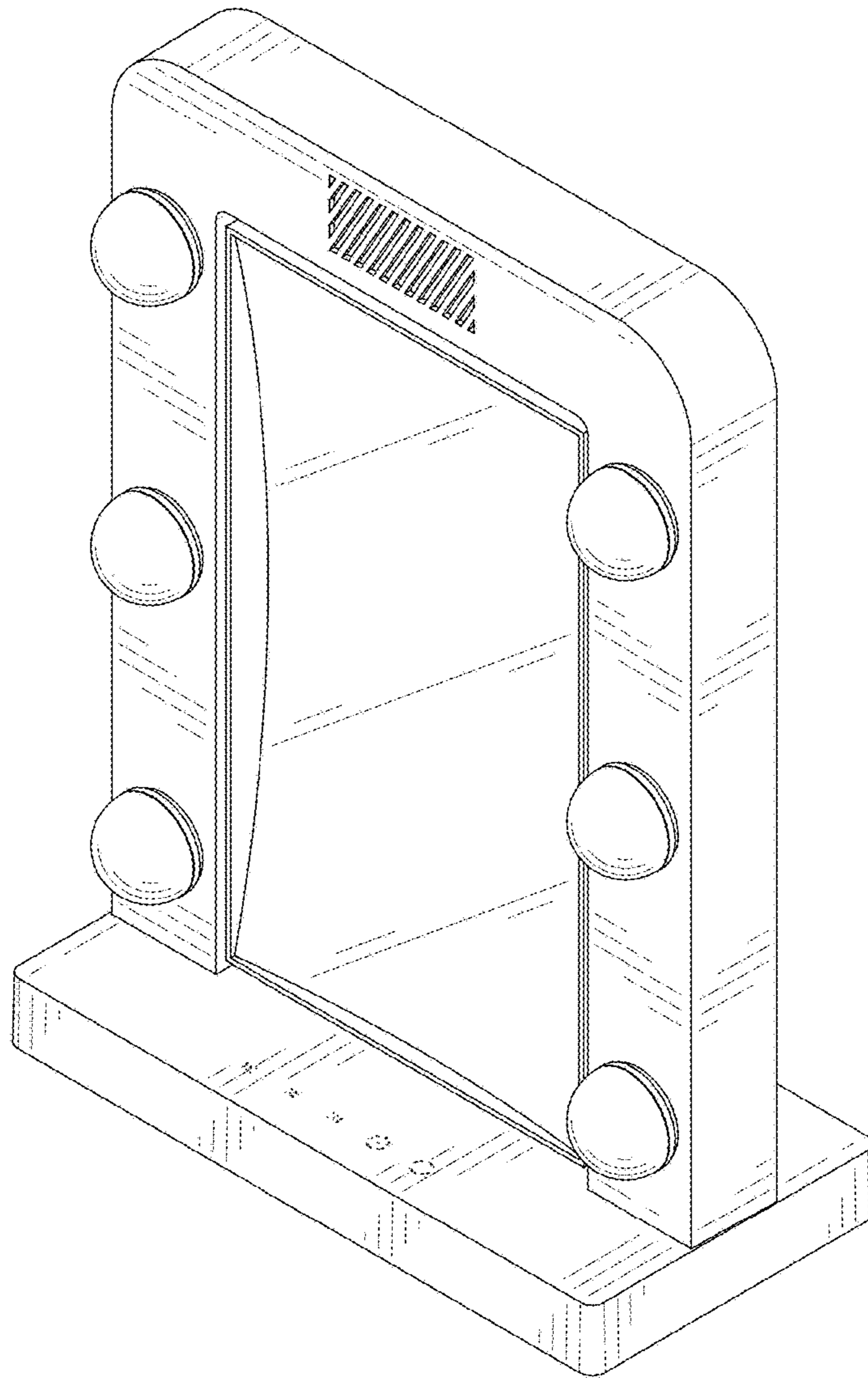


FIG. 1

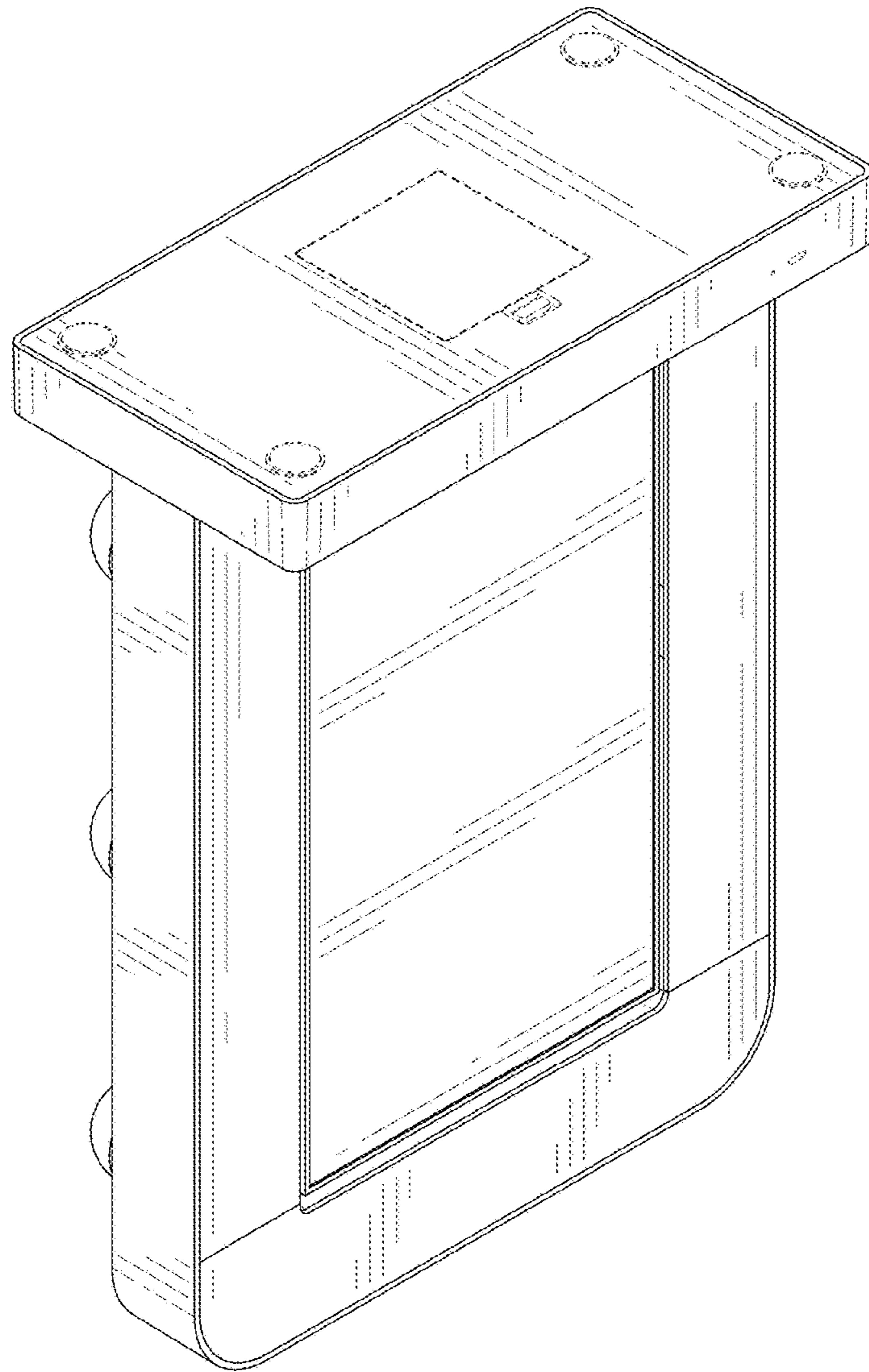


FIG. 2

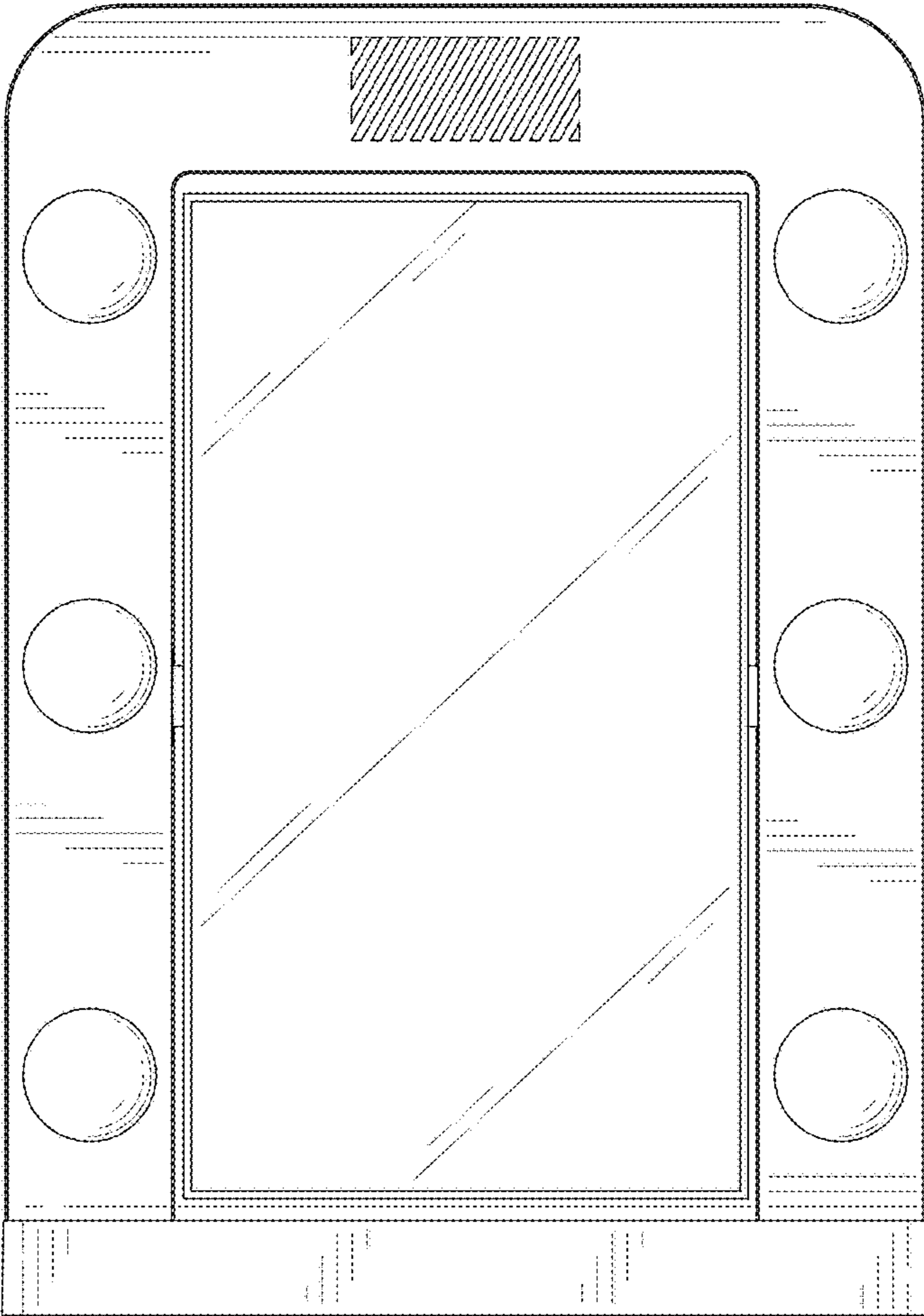


FIG. 3

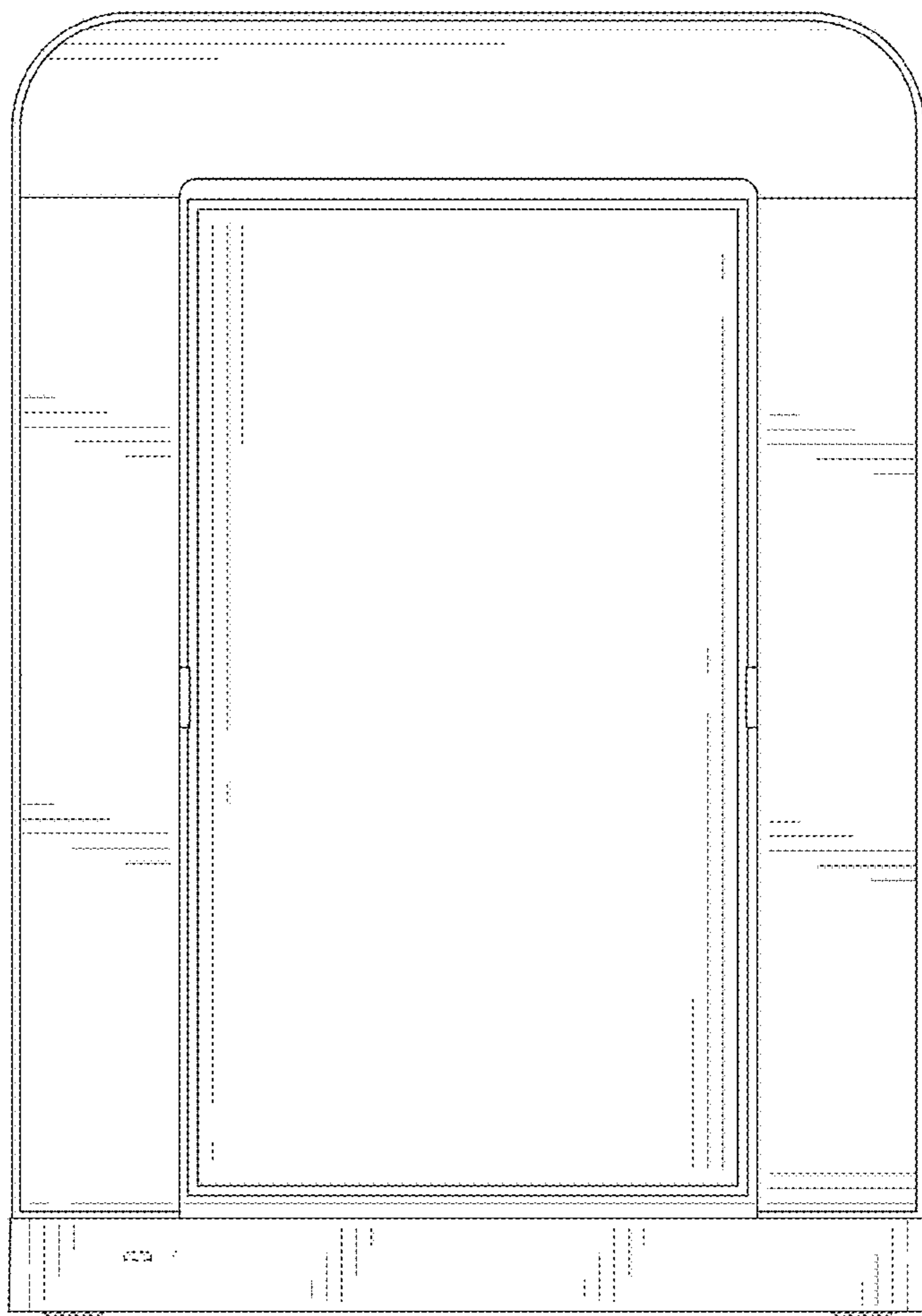


FIG. 4

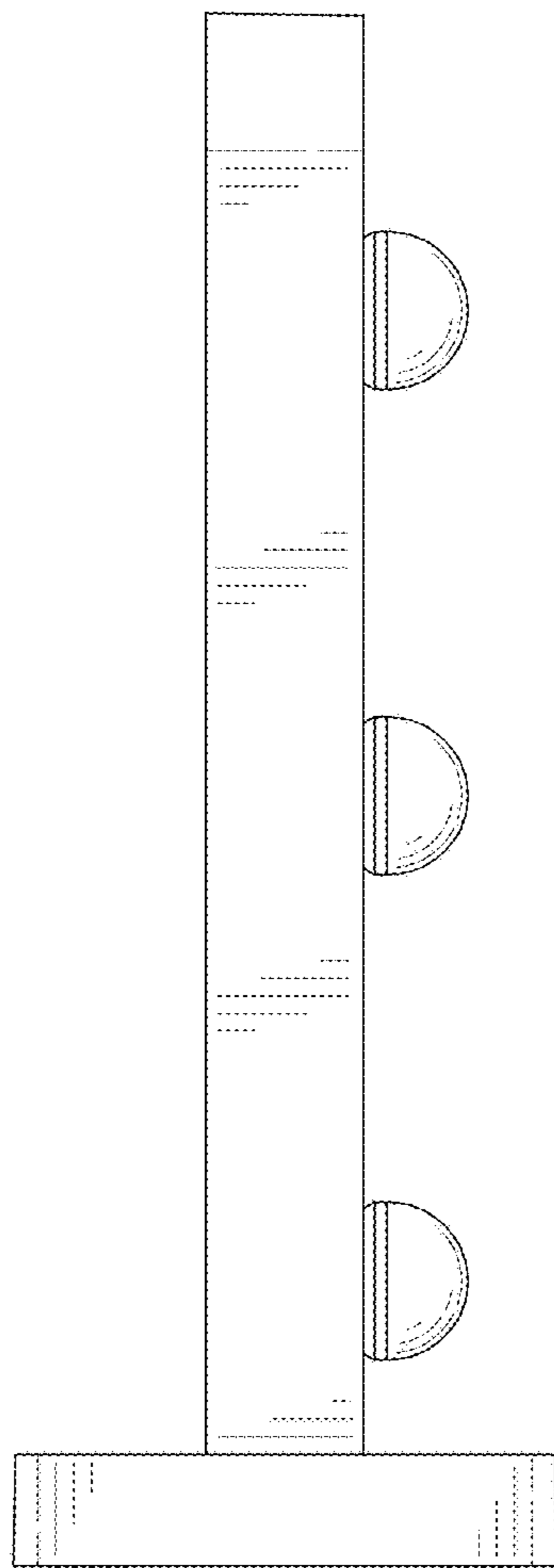


FIG. 5

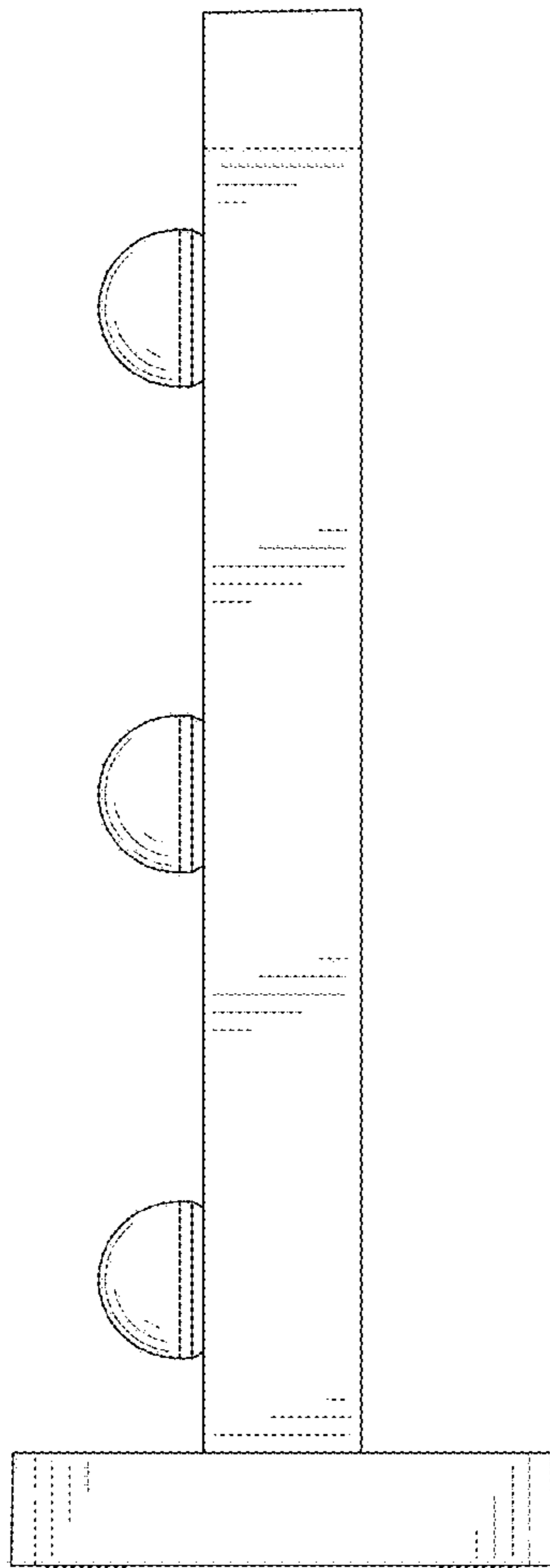


FIG. 6



FIG. 7



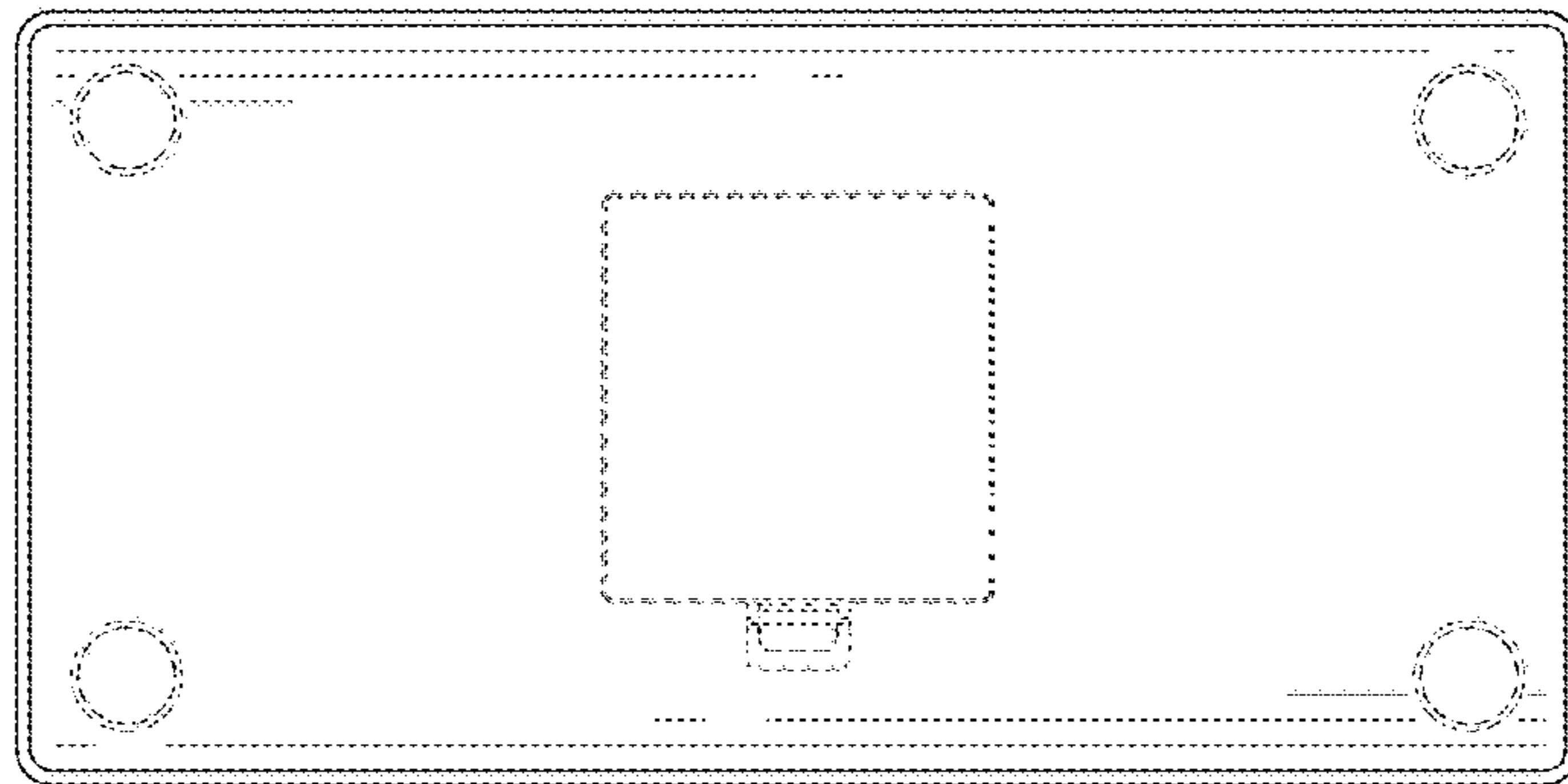


FIG. 8