



US00D866988S

(12) **United States Design Patent**
Shaffer et al.

(10) **Patent No.:** **US D866,988 S**

(45) **Date of Patent:** **** Nov. 19, 2019**

(54) **FOLDABLE MIRROR**

(71) Applicant: **ArgoNorth LLC**, Mequon, WI (US)

(72) Inventors: **Joseph P. Shaffer**, Shorewood, WI (US); **Theresa L. Blair**, Shorewood, WI (US); **Katlyn C. Garcia**, McFarland, WI (US); **Shawn M. Smith**, Madison, WI (US); **Joel E. Kramka**, Madison, WI (US); **Evan A. Sparks**, Cottage Grove, WI (US); **Jeffrey L. Crull**, McFarland, WI (US); **John M. Fritz**, Madison, WI (US)

(73) Assignee: **Argonorth LLC**, Mequon, WI (US)

(**) Term: **15 Years**

(21) Appl. No.: **29/666,767**

(22) Filed: **Oct. 16, 2018**

(51) **LOC (12) Cl.** **06-06**

(52) **U.S. Cl.**
USPC **D6/300**; D6/301; D6/312

(58) **Field of Classification Search**
USPC D6/300–314
CPC A47G 1/00; A47G 1/02; A45D 33/008;
A45D 42/04

See application file for complete search history.

(56) **References Cited**

U.S. PATENT DOCUMENTS

| | | | | |
|--------------|---------|-----------|-------|----------|
| D260,305 S * | 8/1981 | MacGregor | | D28/83 |
| D283,086 S * | 3/1986 | Weinhart | | D6/308 |
| D283,853 S * | 5/1986 | Wistrand | | D28/83 |
| D462,809 S * | 9/2002 | LaSpina | | D28/78 |
| D483,575 S * | 12/2003 | Chan | | D6/310 |
| D485,015 S * | 1/2004 | Chue | | D28/64.1 |
| D506,319 S * | 6/2005 | Chan | | D6/310 |
| D543,868 S * | 6/2007 | Bhavnani | | D10/15 |
| D546,564 S * | 7/2007 | Lo | | D6/300 |
| D549,968 S * | 9/2007 | Pitot | | D6/312 |

(Continued)

Primary Examiner — Deanna L Pratt

(74) *Attorney, Agent, or Firm* — Brian G. Gilpin; Godfrey & Kahn, S.C.

(57) **CLAIM**

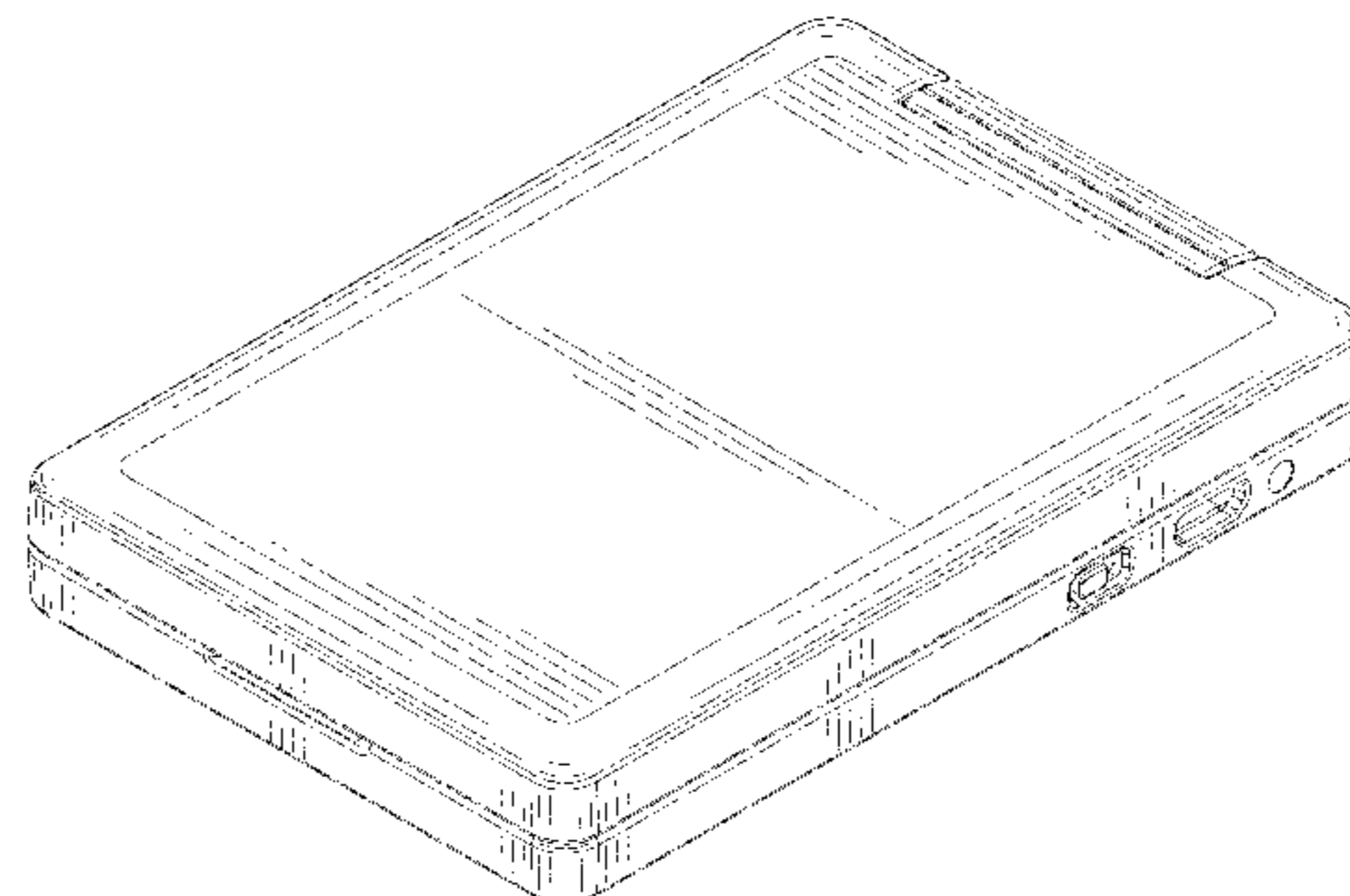
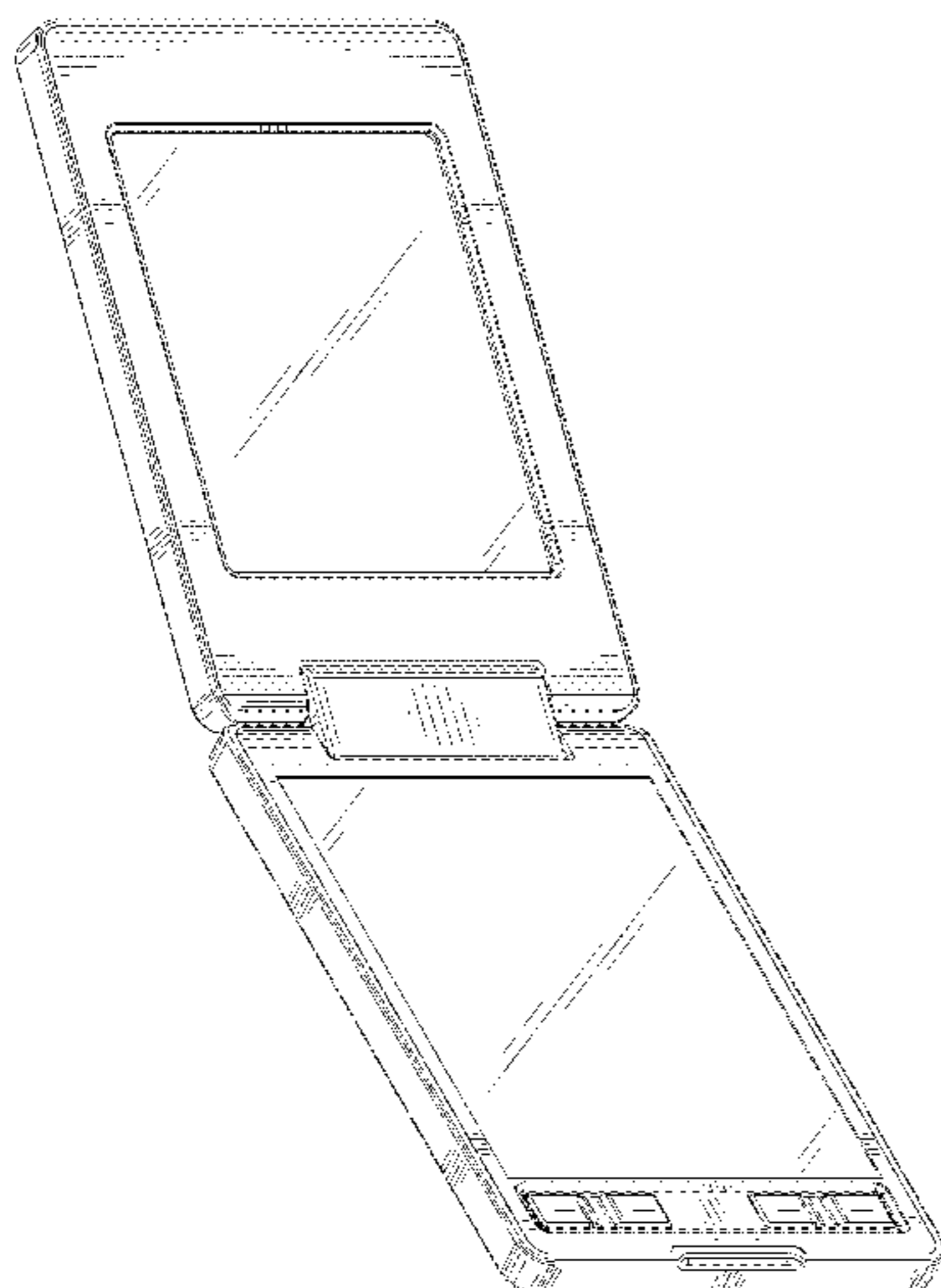
We claim the ornamental design for a foldable mirror, as shown and described.

DESCRIPTION

FIG. 1 is a perspective view of the foldable mirror showing our new design in an open position;
 FIG. 2 is a top plan of the foldable mirror of FIG. 1;
 FIG. 3 is a bottom plan view of the foldable mirror of FIG. 1;
 FIG. 4 is a left elevation view of the foldable mirror of FIG. 1;
 FIG. 5 is a right elevation view of the foldable mirror of FIG. 1;
 FIG. 6 is a rear elevation view of the foldable mirror of FIG. 1;
 FIG. 7 is a front elevation view of the foldable mirror of FIG. 1;
 FIG. 8 is a perspective view of the foldable mirror showing our new design in a closed position;
 FIG. 9 is a top plan of the foldable mirror of FIG. 8;
 FIG. 10 is a bottom plan view of the foldable mirror of FIG. 8;
 FIG. 11 is a left elevation view of the foldable mirror of FIG. 8;
 FIG. 12 is a right elevation view of the foldable mirror of FIG. 8;
 FIG. 13 is a rear elevation view of the foldable mirror of FIG. 8; and,
 FIG. 14 is a front elevation view of the foldable mirror of FIG. 8.

The broken lines included in FIGS. 3, 6, and 13 are for the purpose of illustrating portions of the foldable mirror that form no part of the claimed design.

1 Claim, 12 Drawing Sheets



(56)

References Cited

U.S. PATENT DOCUMENTS

D573,799 S * 7/2008 Pitot D6/308
D625,930 S * 10/2010 Merica D6/312
D679,101 S * 4/2013 Pitot D6/309

* cited by examiner

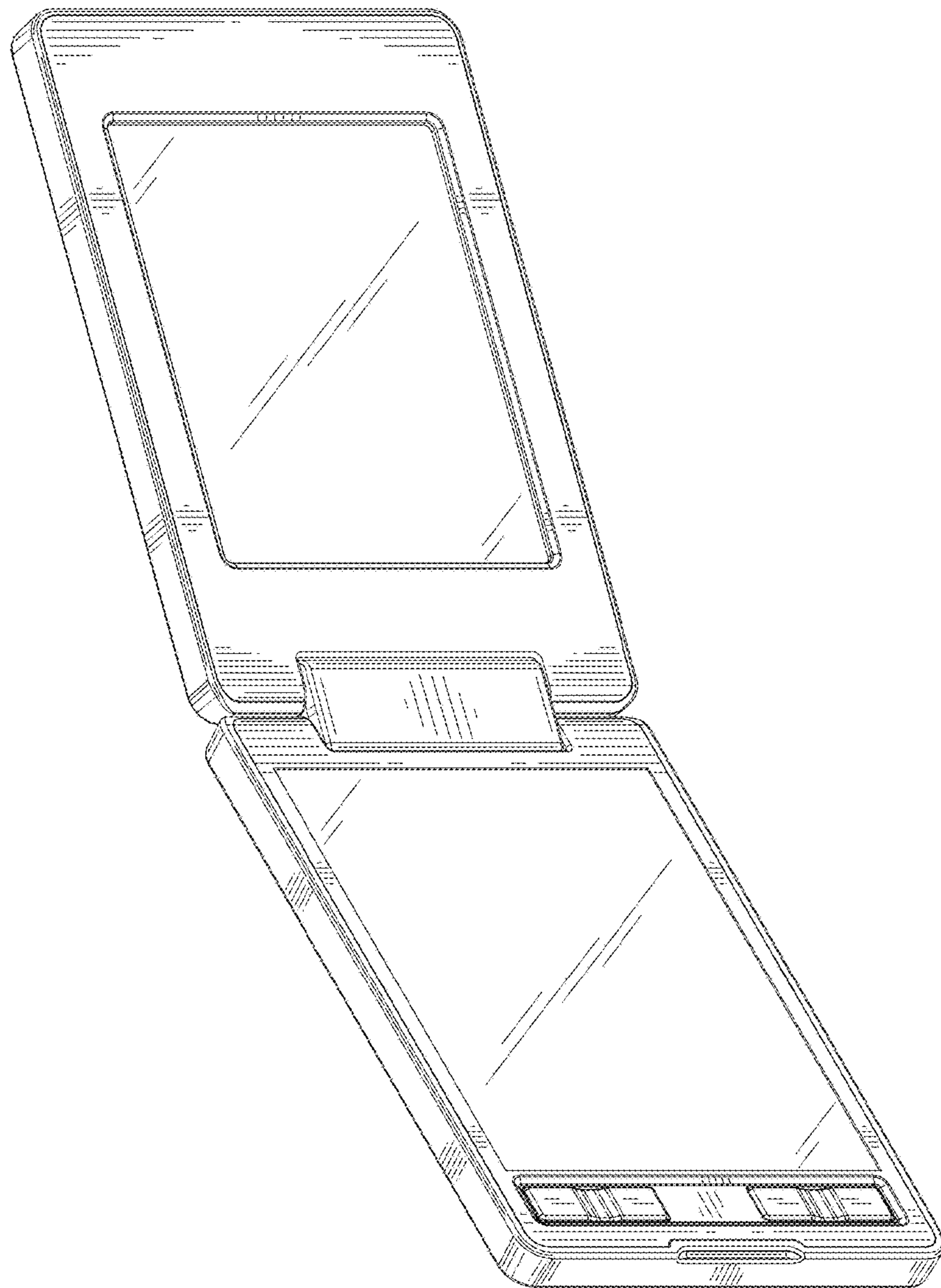


FIG. 1

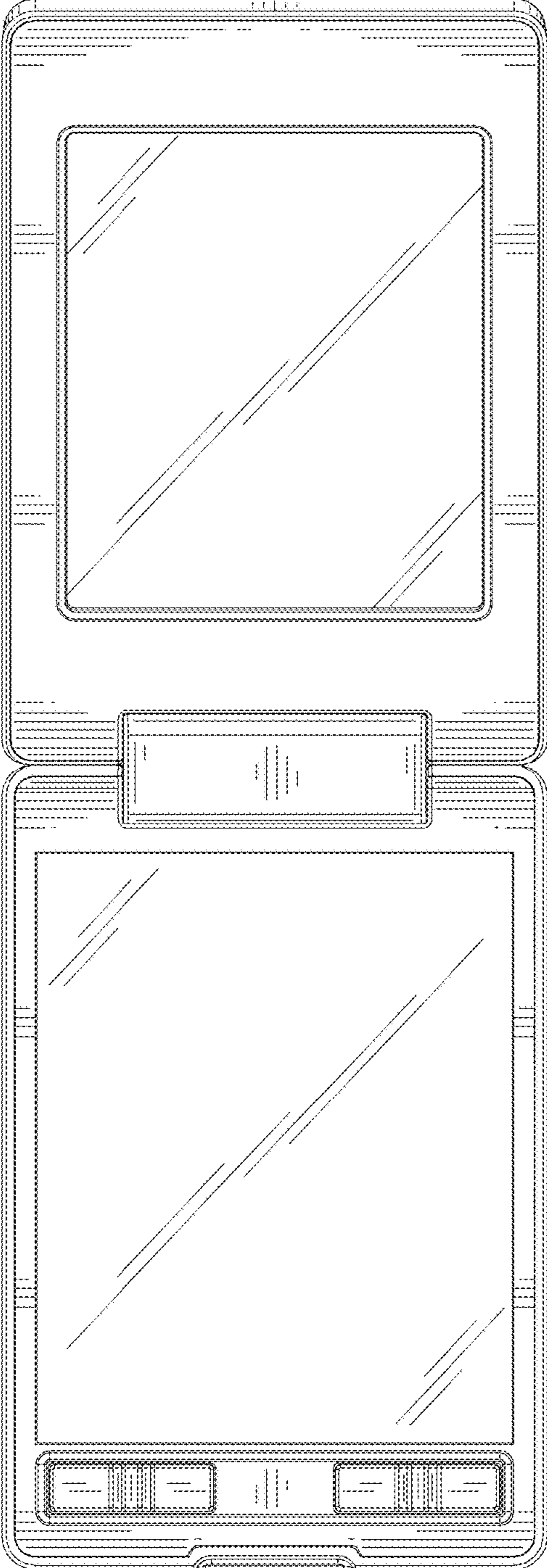


FIG. 2

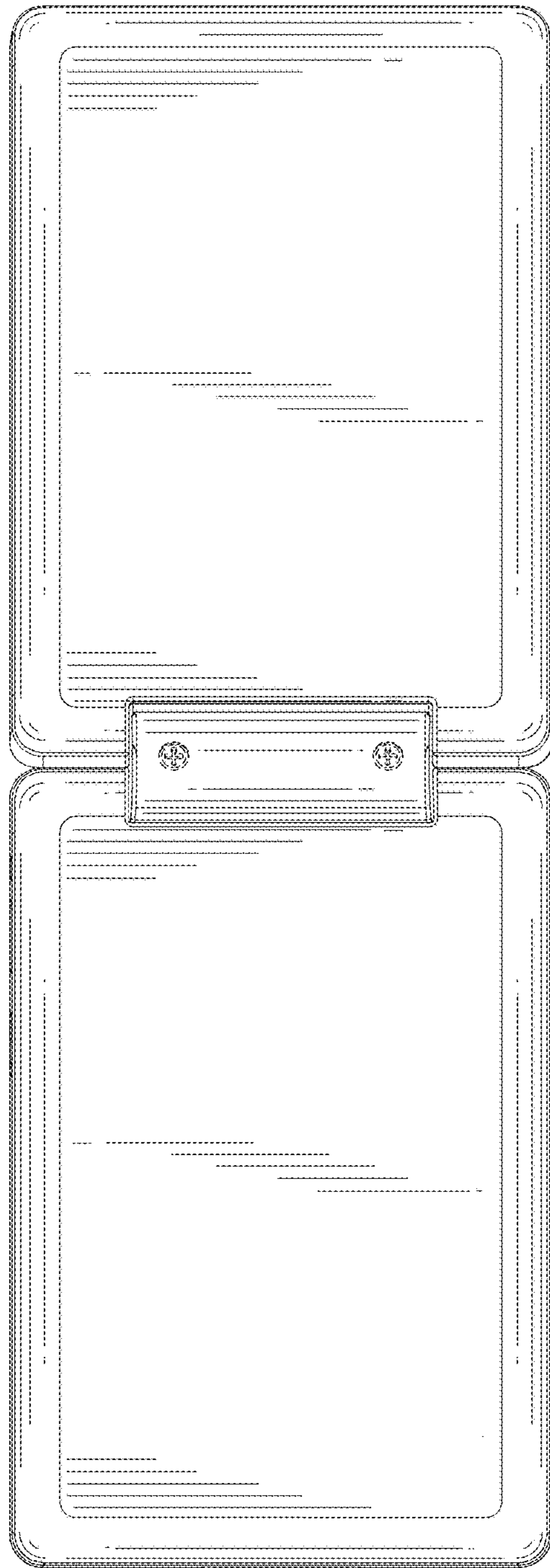


FIG. 3

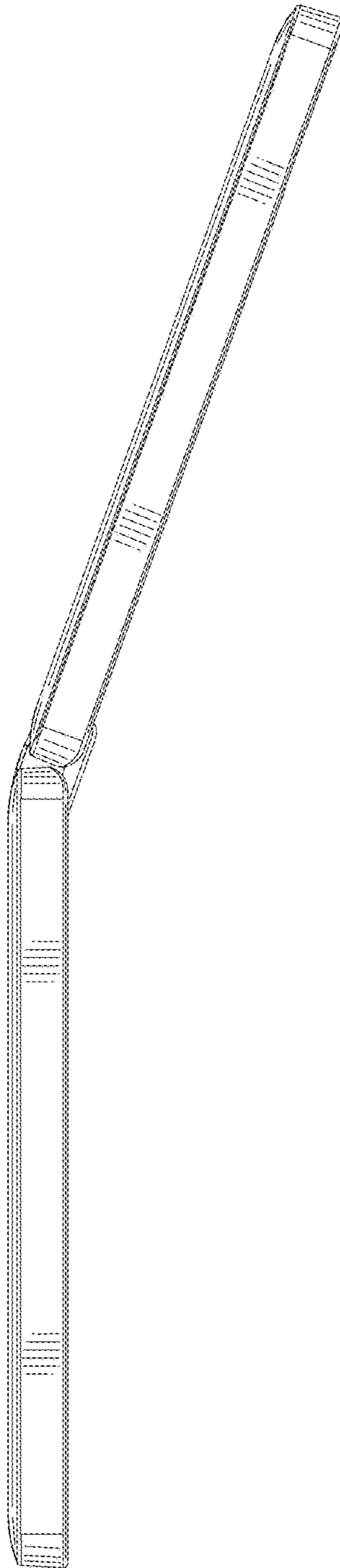


FIG. 4

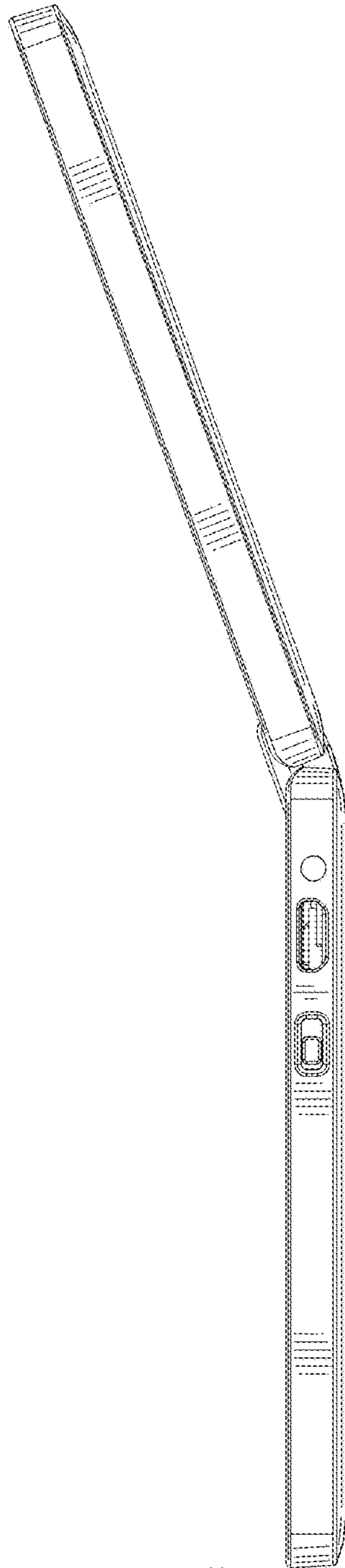


FIG. 5

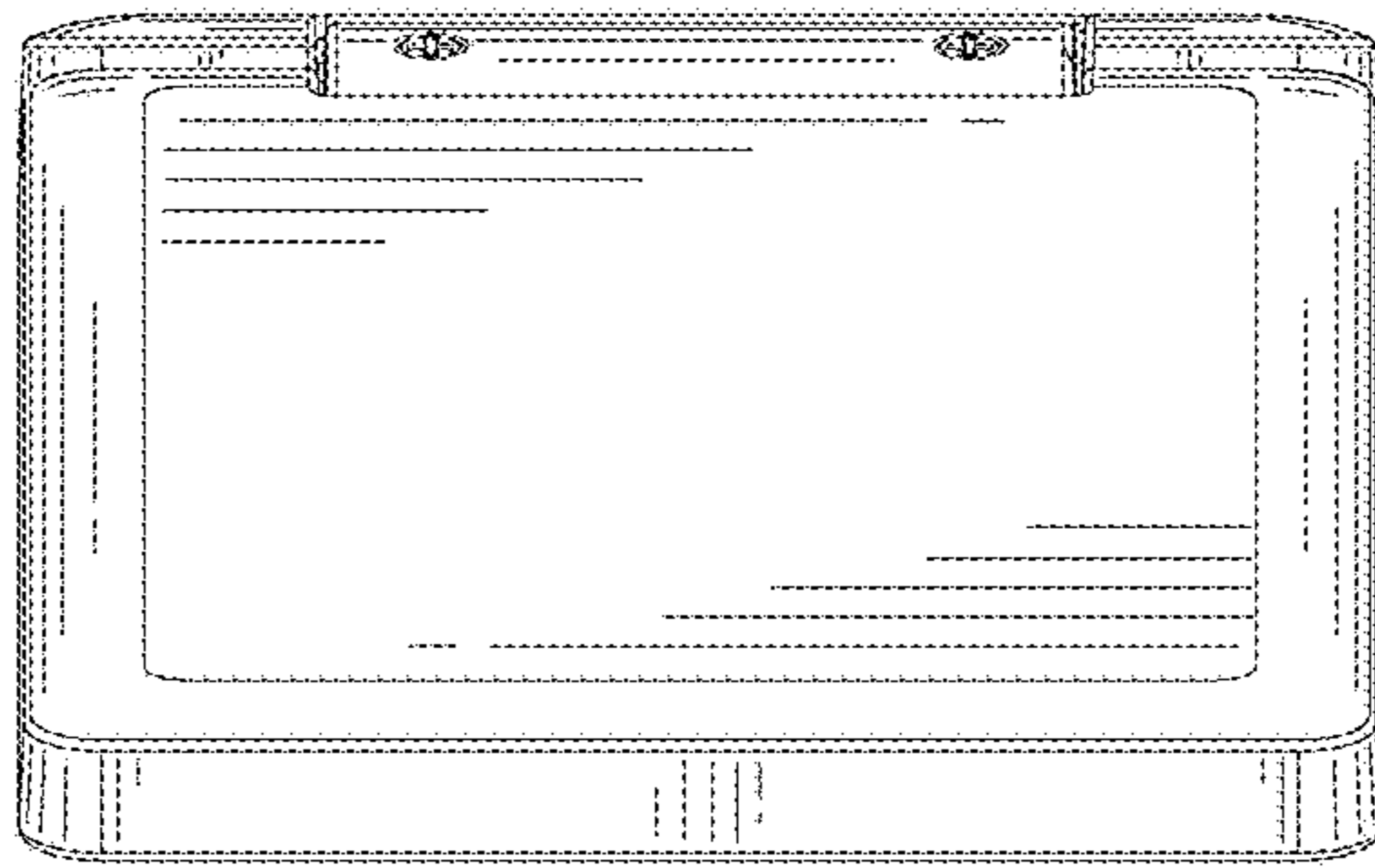


FIG. 6

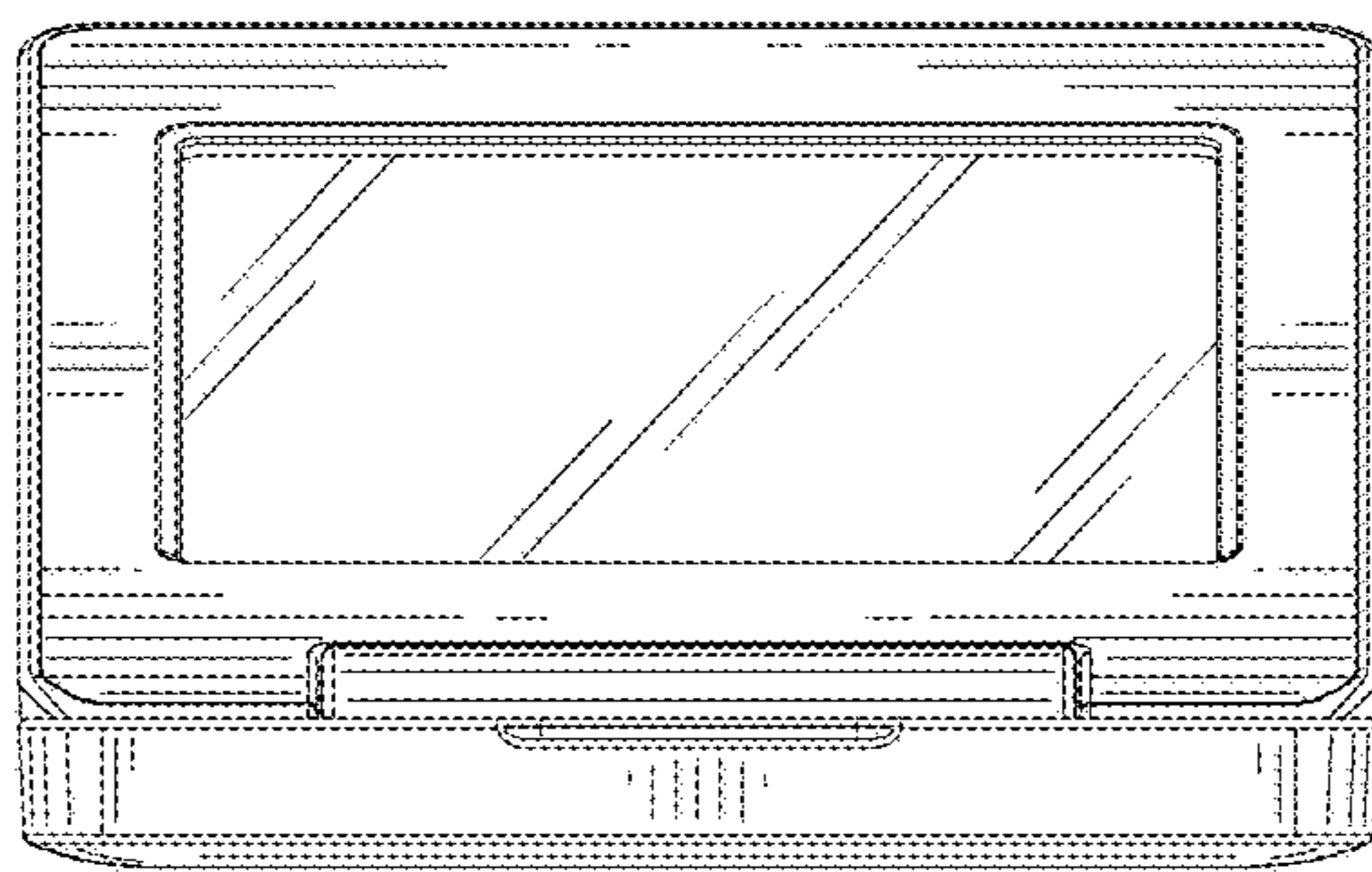


FIG. 7

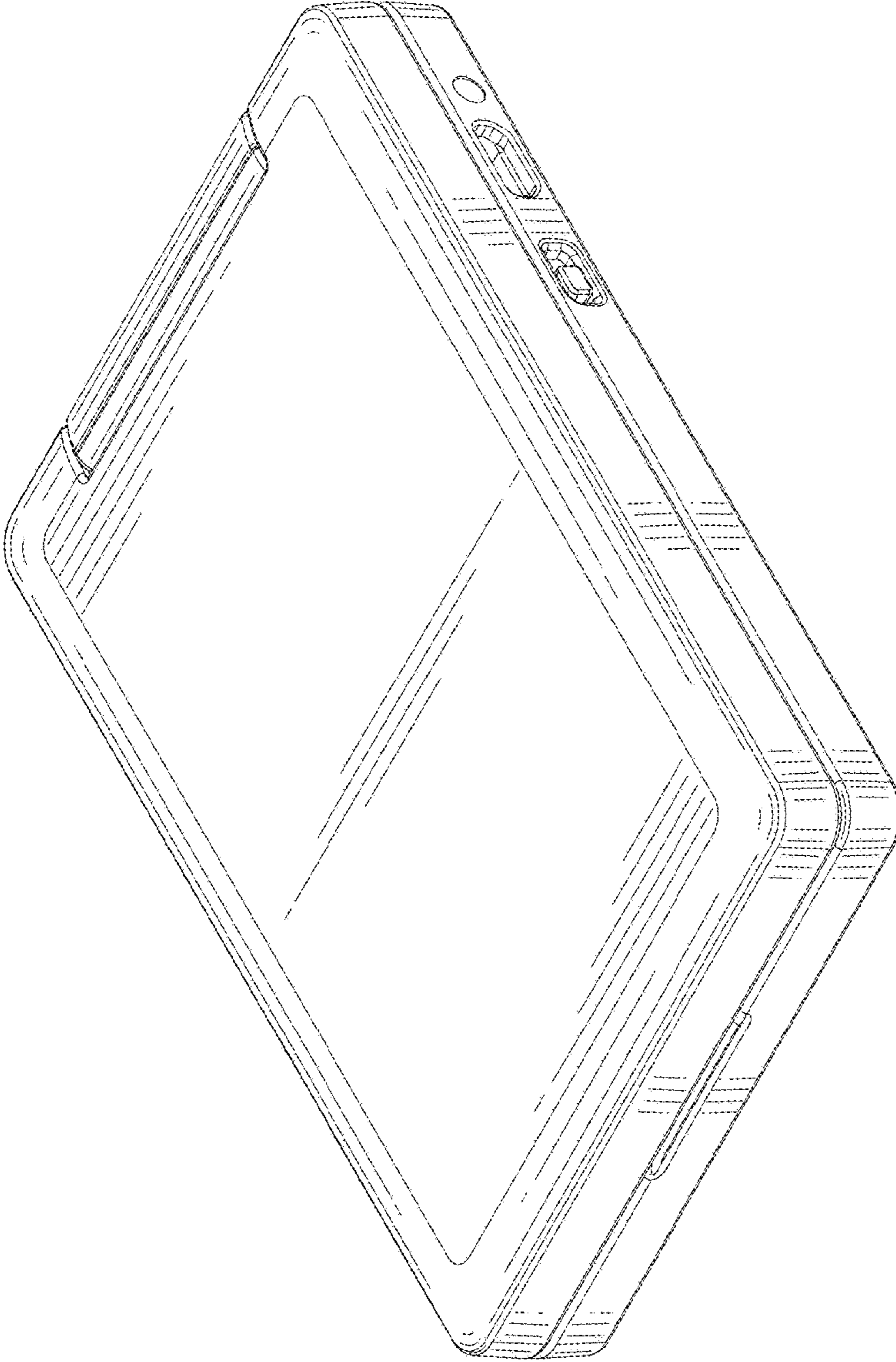


FIG. 8

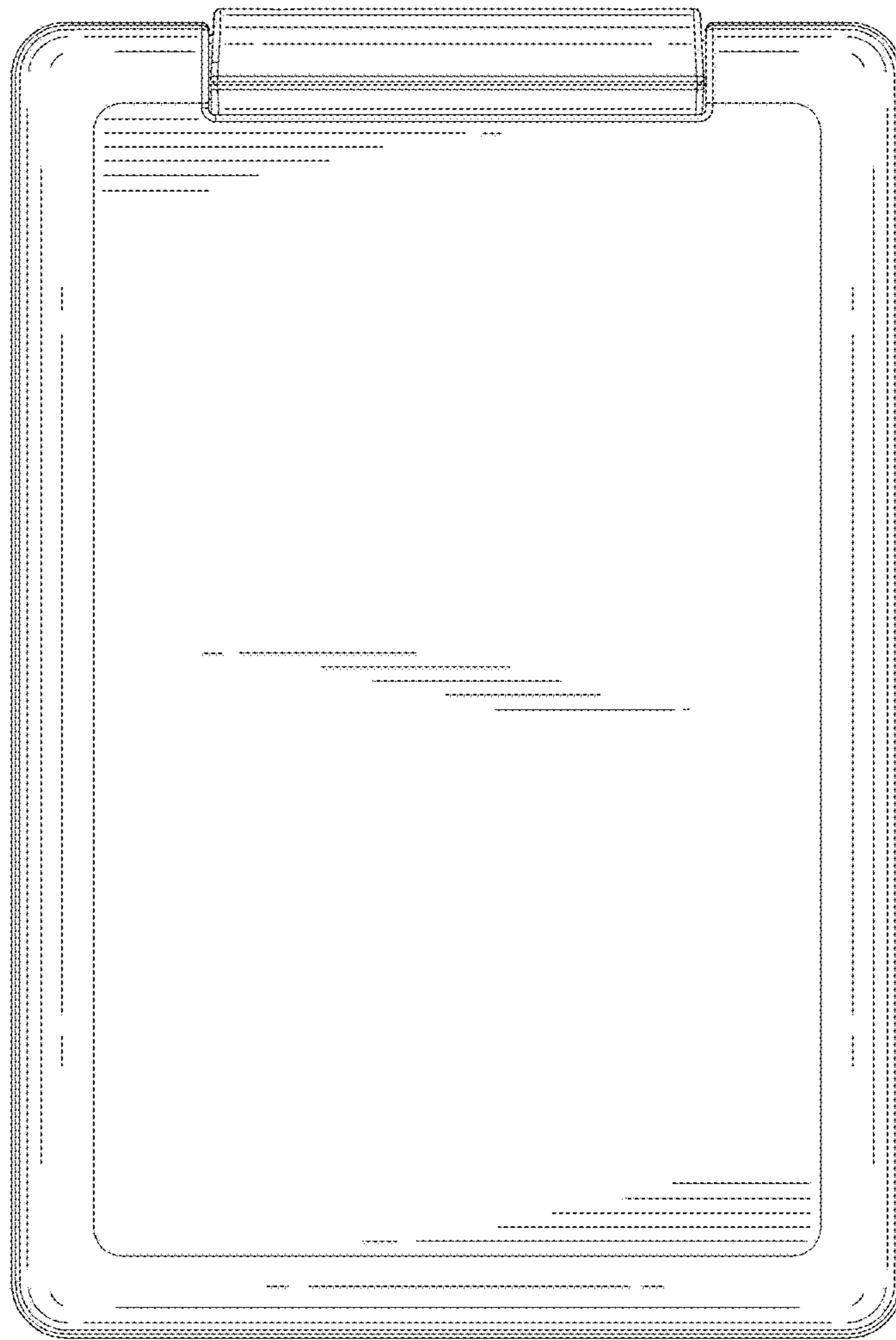


FIG. 9

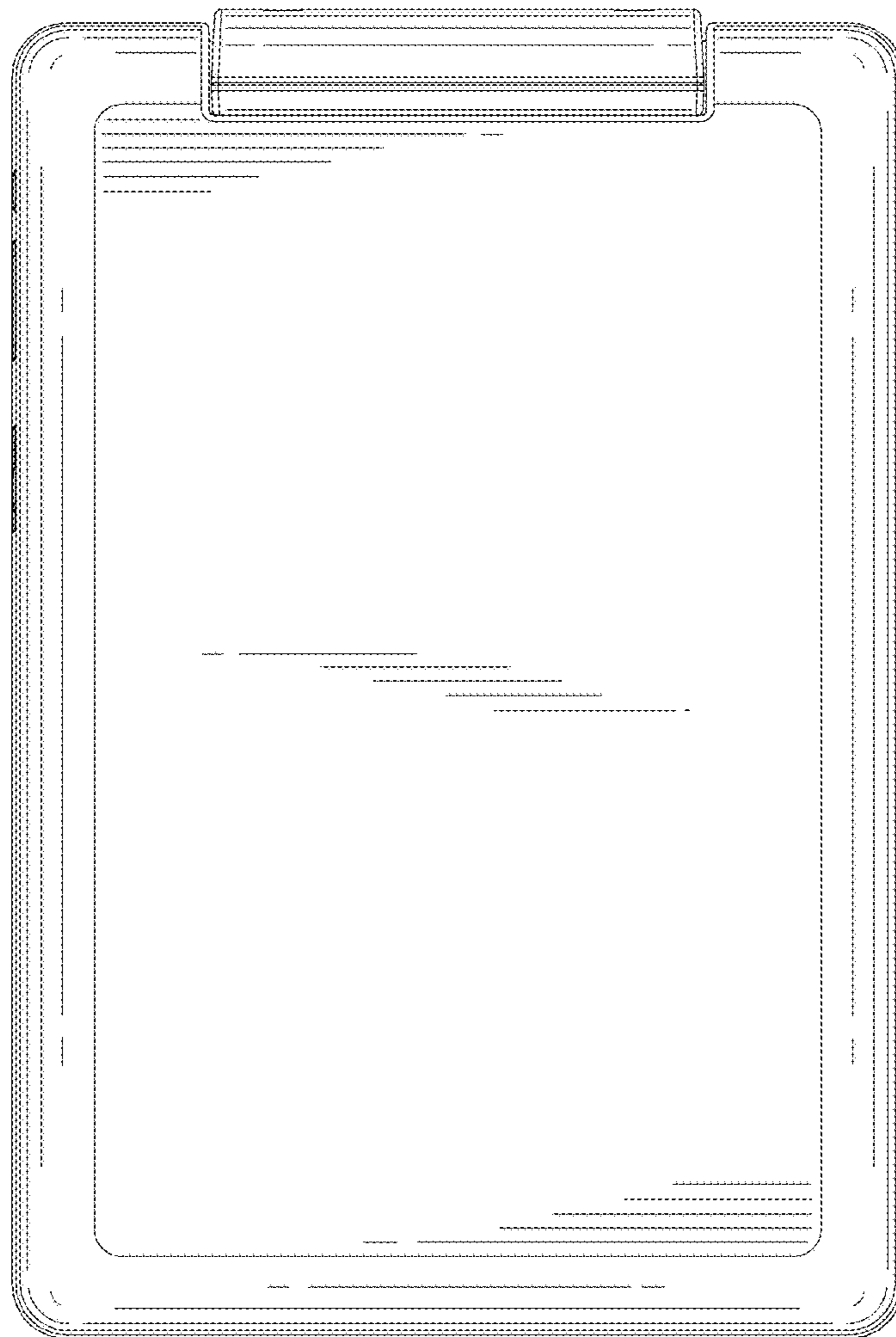


FIG. 10

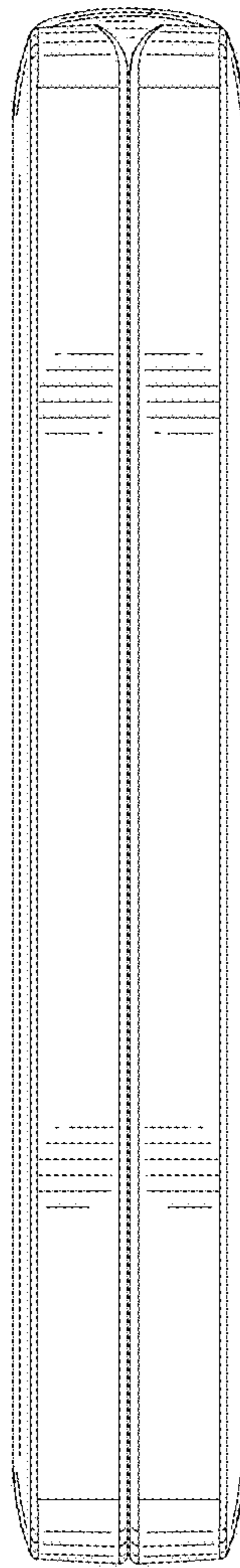


FIG. 11

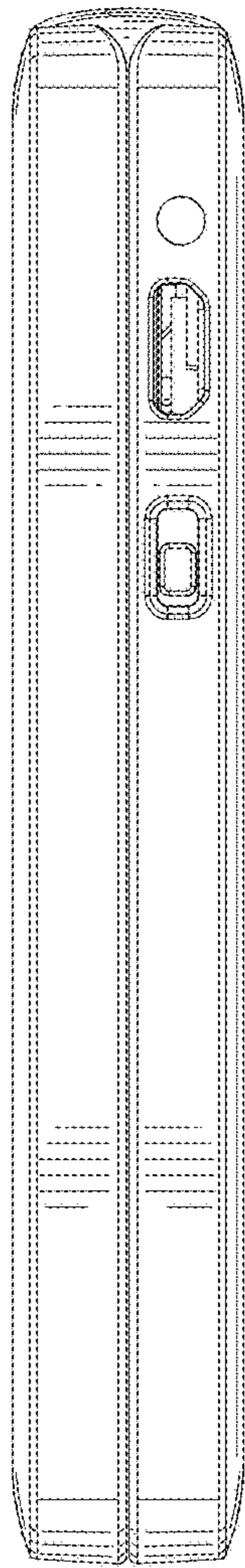


FIG. 12

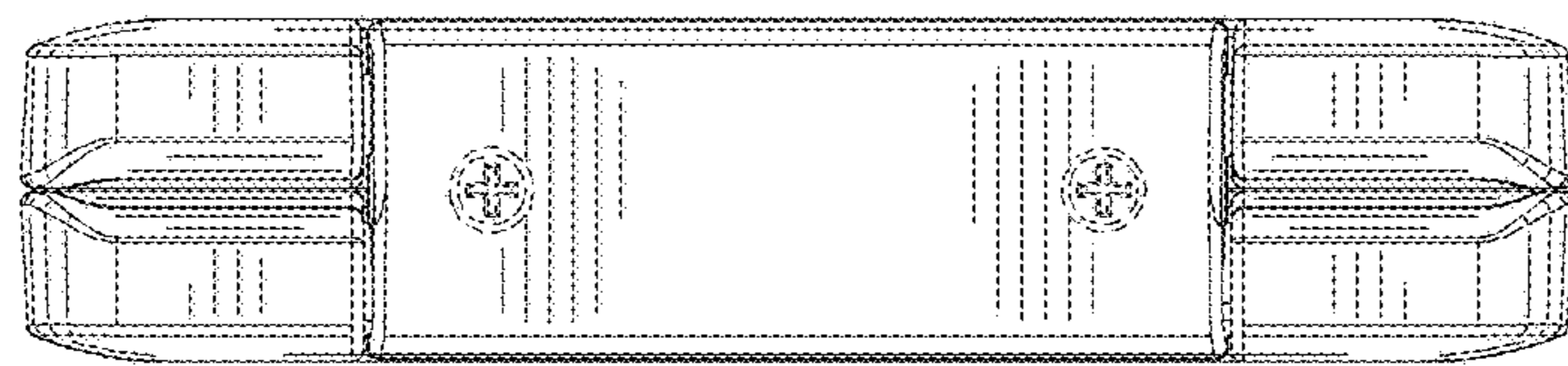


FIG. 13

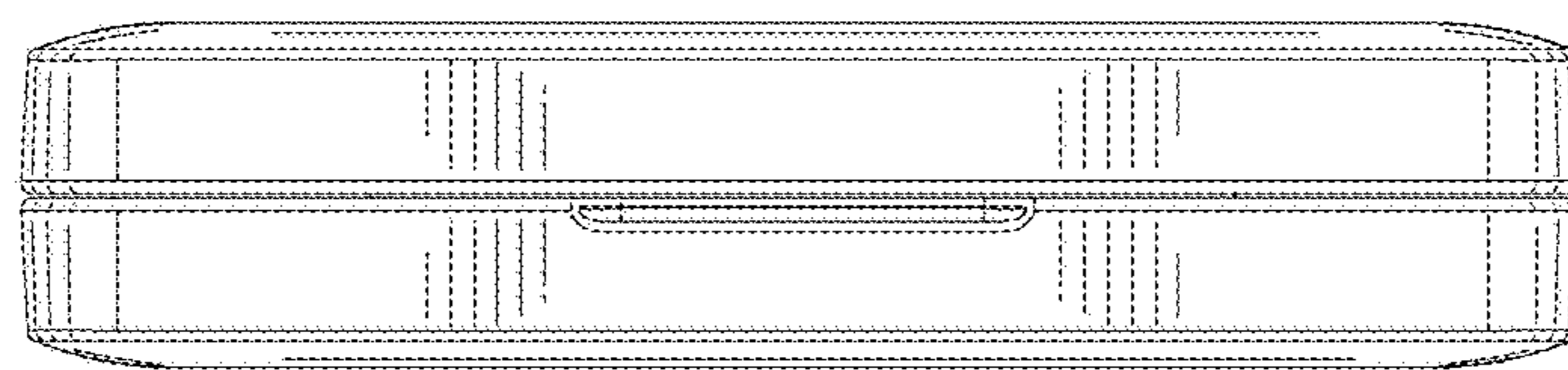


FIG. 14