



US00D866986S

(12) **United States Design Patent** (10) **Patent No.:** **US D866,986 S**  
**Nicoline** (45) **Date of Patent:** **\*\* Nov. 19, 2019**

(54) **BRUSH**  
(71) Applicant: **Paris Presents Incorporated**, Gurnee, IL (US)  
(72) Inventor: **Alyssa C. Nicoline**, McHenry, IL (US)  
(73) Assignee: **Paris Presents Incorporated**, Gurnee, IL (US)  
(\*\*) Term: **15 Years**

(21) Appl. No.: **29/636,479**  
(22) Filed: **Feb. 8, 2018**  
(51) **LOC (12) Cl.** ..... **04-02**  
(52) **U.S. Cl.**  
USPC ..... **D4/138**  
(58) **Field of Classification Search**  
USPC ..... D4/130, 132, 133, 134, 135, 138, 199, D4/127, 137; D28/7; D19/181, 185, D19/926, 907, 908, 909; D8/107, 303; D24/152; 433/141  
CPC ... A46B 5/02; A46B 9/021; A46B 2200/1046; A61C 3/00  
See application file for complete search history.

(56) **References Cited**

**U.S. PATENT DOCUMENTS**

RE16,869 E 2/1928 Goldman  
1,671,891 A \* 5/1928 Dolan ..... A46B 9/04 15/167.1  
D99,364 S \* 4/1936 Paisley ..... 15/160  
D116,216 S 8/1939 Brekke  
D139,381 S 11/1944 Harris  
D158,250 S \* 4/1950 Cosby, Jr. .... D4/127  
D189,374 S 11/1960 Harris  
3,097,386 A \* 7/1963 Marani ..... A45D 40/28 132/320

3,276,062 A \* 10/1966 Palumbo ..... B01L 99/00 15/104.94  
D209,842 S \* 1/1968 Anderson ..... D21/795  
D238,631 S 2/1976 Leighton  
(Continued)

**FOREIGN PATENT DOCUMENTS**

CN 300826116 9/2008  
CN 301850467 3/2012  
(Continued)

**OTHER PUBLICATIONS**

Maria Pia, "Tom Ford Cream Foundation Brush review, photos and comparisons.," If Makeup Could Talk, LLC, Sep. 20, 2013, 5 pages. [URL] <http://ifmakeupcouldtalk.com/toolsaccessories/tom-ford-cream-foundation-brush-review-photos-and-comparisons/>.  
(Continued)

*Primary Examiner* — Karen E Eldridge Powers  
(74) *Attorney, Agent, or Firm* — Quarles & Brady LLP

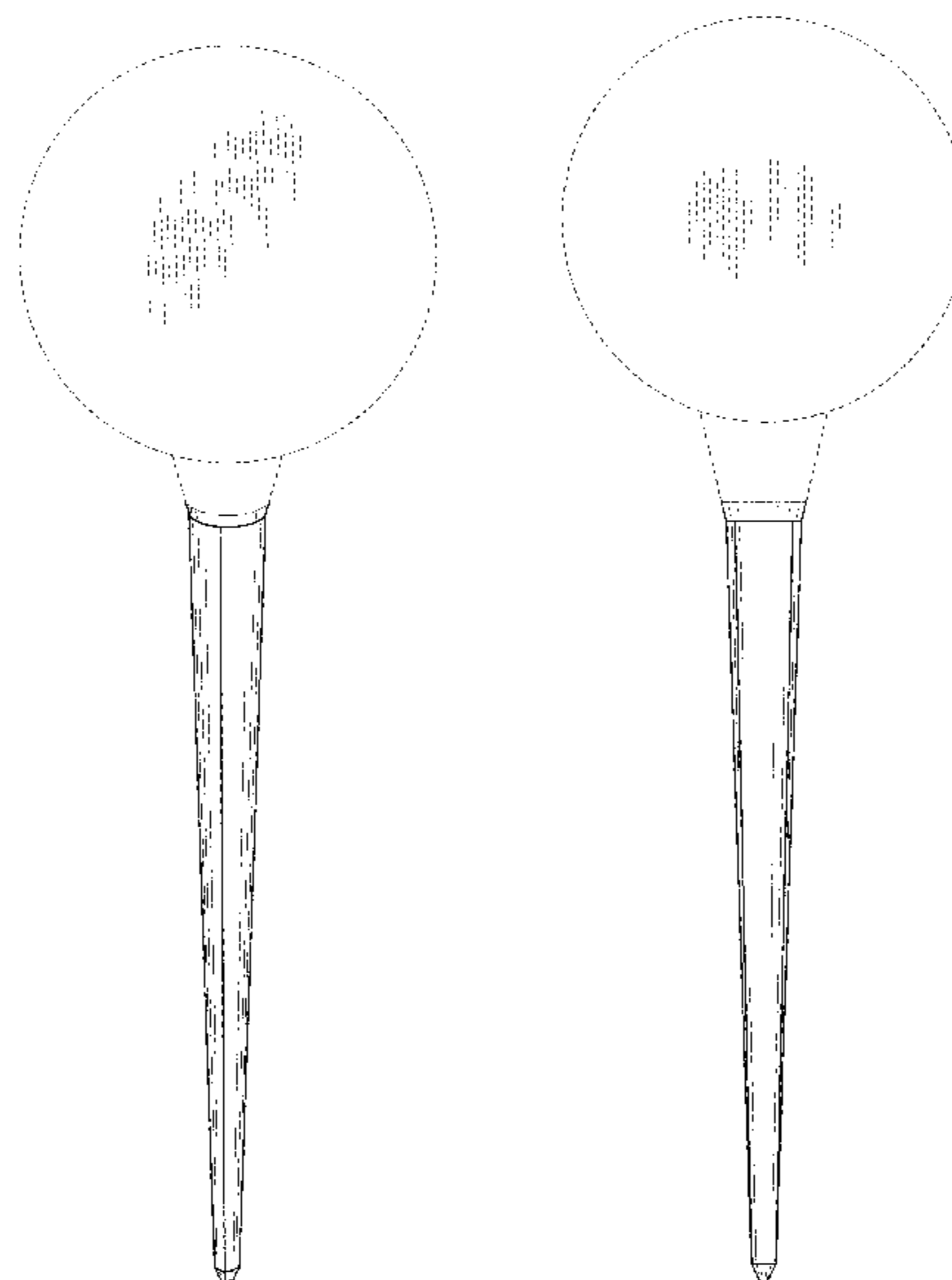
(57) **CLAIM**

The ornamental design for a brush, as shown and described.

**DESCRIPTION**

FIG. 1 is a perspective view of a front, top, and right side of an ornamental design for a brush;  
FIG. 2 is a front elevational view of the of the brush of FIG. 1;  
FIG. 3 is a rear elevational view of the brush of FIG. 1;  
FIG. 4 is a right side elevational view of the brush of FIG. 1;  
FIG. 5 is a left side elevational view of the brush of FIG. 1;  
FIG. 6 is a top plan view of the brush of FIG. 1; and,  
FIG. 7 is a bottom plan view of the brush of FIG. 1.  
The dash-dash-dash lines are included for the purpose of illustrating portions that form no part of the claimed design. Further, the dash-dot-dash lines form no part of the claimed design and represent boundary lines.

**1 Claim, 4 Drawing Sheets**



(56)

References Cited

U.S. PATENT DOCUMENTS

D249,600 S	9/1978	Bowman		D573,348 S	7/2008	Dumler et al.	
D250,229 S *	11/1978	Werner .....	D28/63	D573,349 S	7/2008	Dumler et al.	
D258,240 S	2/1981	Takada et al.		D574,154 S	8/2008	Dumler et al.	
D260,188 S *	8/1981	Boykin, Jr. ....	D28/10	D574,155 S	8/2008	Dumler et al.	
D263,807 S	4/1982	Kingsford		7,416,080 B1	8/2008	Langer	
D274,474 S	6/1984	Castiglioni		D598,655 S	8/2009	Thorpe et al.	
D275,040 S	8/1984	Holloway		D599,113 S	9/2009	Jackel-Marken	
D278,951 S	5/1985	Kalinsky		D599,117 S	9/2009	Dumler	
D278,952 S	5/1985	Kalinsky		D617,954 S	6/2010	LAbbate	
D285,730 S	9/1986	Bulwick		7,779,847 B2 *	8/2010	Castagno .....	A45D 19/0008 132/200
D295,878 S	5/1988	Lovell		RE41,710 E	9/2010	Dumler et al.	
D300,850 S *	4/1989	Brewer .....	D24/139	RE41,711 E	9/2010	Dumler et al.	
D304,392 S	11/1989	Reich		D625,522 S	10/2010	Riaz	
4,946,389 A	8/1990	Weissenburger		D627,977 S	11/2010	Magallanes Orozco	
D312,729 S	12/1990	Auttajark		D628,811 S	12/2010	Masuyama	
D319,736 S	9/1991	Thuresson et al.		D629,846 S	12/2010	Losel	
D323,186 S	1/1992	Clark et al.		D630,437 S	1/2011	Carey	
D327,979 S	7/1992	Carranza		D631,666 S	2/2011	Lim et al.	
D329,899 S *	9/1992	Rihani .....	D24/139	D632,086 S	2/2011	Kulik	
D346,277 S	4/1994	Sherman et al.		D634,127 S	3/2011	Burgess et al.	
D361,236 S	8/1995	Murgalo		D642,805 S	8/2011	Burgess et al.	
D368,093 S	3/1996	Starck		D645,665 S	9/2011	Del Ponte	
D370,085 S *	5/1996	MacGilvary .....	D28/7	D650,012 S	12/2011	Losel	
5,542,144 A	8/1996	Forsline		D655,006 S	2/2012	Rajaiah et al.	
D376,696 S	12/1996	Vogel, Jr.		D658,385 S	5/2012	Lim et al.	
D376,910 S	12/1996	Tuchman		8,185,998 B2	5/2012	Xu	
D384,436 S *	9/1997	Kelley .....	D28/63	D663,957 S	7/2012	Garcia	
D386,311 S	11/1997	Moskovich		8,230,543 B2	7/2012	Shrier et al.	
D395,552 S	6/1998	Cunningham		D666,008 S	8/2012	Boudreau	
D398,156 S *	9/1998	Jovaag .....	D4/124	D676,663 S	2/2013	Ptok et al.	
D404,647 S	1/1999	Federighi		D676,666 S	2/2013	Nelson	
5,926,903 A	7/1999	Kim		D677,904 S	3/2013	Hammer	
D418,541 S	1/2000	Mayer		D678,682 S	3/2013	Hammer	
D418,601 S	1/2000	McGugan		D678,683 S	3/2013	Hammer	
6,039,051 A	3/2000	Dorf		D678,684 S	3/2013	Hammer	
D427,777 S	7/2000	Kim		D699,041 S	2/2014	Waitesmith	
D430,608 S	9/2000	Krieglstein et al.		D702,554 S	4/2014	Cole et al.	
D431,324 S	9/2000	Hirato et al.		D706,542 S	6/2014	Lavigne	
D433,537 S	11/2000	Schoon et al.		D718,060 S	11/2014	Filho et al.	
D435,349 S	12/2000	Kim		D718,941 S	12/2014	Matsuishi	
D438,383 S	3/2001	Doat		9,089,200 B2	7/2015	Telwar et al.	
D446,212 S	8/2001	Chang		D743,632 S	11/2015	Schlickman	
D447,602 S	9/2001	Dumler et al.		D746,010 S	12/2015	Xavier et al.	
D450,189 S	11/2001	Mink et al.		D747,835 S	1/2016	Barnard et al.	
D451,285 S	12/2001	Andersson		9,237,790 B2	1/2016	Takagi	
D452,948 S	1/2002	Mink et al.		D749,327 S	2/2016	Thierer et al.	
6,386,874 B2	5/2002	Bachmann et al.		D749,858 S	2/2016	Snook	
D458,761 S	6/2002	Mason et al.		D749,859 S	2/2016	Snook	
D460,111 S	7/2002	Veillon		D750,383 S	3/2016	Serrano	
6,439,241 B2 *	8/2002	Berke .....	A45D 34/04 132/200	D752,149 S	3/2016	Fairweather	
D463,735 S	10/2002	Gobe		D752,769 S	4/2016	Ciriolo	
D469,180 S	1/2003	Mark		D756,127 S	5/2016	Nicoline	
6,513,183 B2	2/2003	Dorf		D756,661 S	5/2016	Waitesmith	
D478,213 S	8/2003	Ping		D757,441 S	5/2016	Hwang	
D479,918 S	9/2003	Mink		D757,443 S	5/2016	Waitesmith	
D480,272 S	10/2003	Yang		D757,447 S	5/2016	White	
D485,575 S	1/2004	Lovell		D758,742 S	6/2016	Nicoline	
6,779,532 B2	8/2004	Dorf		D761,025 S *	7/2016	Hinckley .....	D4/104
D516,257 S	2/2006	Brackett et al.		D762,988 S	8/2016	Xavier et al.	
D518,102 S	3/2006	Lovell		D763,676 S	8/2016	Filho et al.	
D522,247 S *	6/2006	Moore .....	D4/124	D764,807 S	8/2016	Waitesmith	
D522,866 S	6/2006	Bakic		D765,421 S	9/2016	Cole	
D527,188 S	8/2006	Langer		D766,586 S	9/2016	Hwang	
D528,304 S	9/2006	Langer		D766,587 S	9/2016	Hwang	
D528,305 S	9/2006	Langer		D767,903 S	10/2016	Lim	
D529,292 S	10/2006	Langer		D768,997 S *	10/2016	Shlaferman .....	D4/111
D529,293 S	10/2006	Langer		D768,998 S	10/2016	Kim et al.	
D529,719 S	10/2006	Langer		D771,389 S	11/2016	Since	
D530,097 S	10/2006	Langer		D776,440 S	1/2017	Jain	
D530,519 S	10/2006	Langer		D776,941 S	1/2017	Nicoline	
D541,979 S	5/2007	Montoli		D778,067 S	2/2017	Jain	
D571,105 S	6/2008	Godin		D778,617 S	2/2017	Jain	
D571,559 S	6/2008	Riaz		D778,618 S	2/2017	Jain	
D572,010 S	7/2008	Riaz		D778,619 S	2/2017	Jain	
				D778,620 S	2/2017	Jain	
				D778,621 S	2/2017	Jain	
				D778,623 S	2/2017	Jain	
				D779,137 S	2/2017	Taylor	

(56)

References Cited

U.S. PATENT DOCUMENTS

D779,213 S 2/2017 Jain  
 D781,592 S 3/2017 Kaicker et al.  
 D781,593 S 3/2017 Kaicker  
 D782,138 S 3/2017 Xavier et al.  
 D782,198 S 3/2017 Hwang  
 D782,199 S 3/2017 Hwang  
 D782,201 S 3/2017 Hwang  
 D782,730 S 3/2017 Zhang et al.  
 D782,826 S 4/2017 Kim et al.  
 D783,291 S 4/2017 Lin  
 D787,190 S 5/2017 Machiorlette et al.  
 D787,191 S 5/2017 Hwang  
 D787,192 S 5/2017 Hwang  
 D787,193 S 5/2017 Hwang  
 D787,833 S 5/2017 Jain  
 9,642,441 B1 5/2017 Ajootian  
 D788,471 S 6/2017 Dunaway  
 D790,973 S 7/2017 Kern et al.  
 D793,090 S 8/2017 Allen et al.  
 D794,966 S 8/2017 Salm  
 D800,457 S 10/2017 Kaicker  
 D802,938 S 11/2017 Nicoline  
 D803,574 S \* 11/2017 Munitz ..... D4/132  
 D807,611 S 1/2018 Almarales  
 D813,553 S \* 3/2018 Ford ..... D4/134  
 D817,546 S 5/2018 Barozzi  
 D817,647 S \* 5/2018 Nicoline ..... D4/135  
 D821,760 S 7/2018 Yan  
 D827,308 S 9/2018 Nicoline  
 D827,309 S 9/2018 Nicoline  
 D827,310 S 9/2018 Allenback  
 D827,311 S \* 9/2018 Nicoline ..... D4/138  
 D829,006 S 9/2018 Richards  
 D831,362 S 10/2018 Kim  
 D831,974 S 10/2018 Nicoline  
 D831,975 S 10/2018 Nicoline  
 D831,976 S 10/2018 Nicoline  
 10,098,446 B2 10/2018 Telwar Kaicker et al.  
 2002/0083953 A1 7/2002 Dorf  
 2006/0248669 A1 11/2006 Dovellos  
 2010/0101035 A1 4/2010 Nakamura  
 2010/0236004 A1 9/2010 Xu  
 2011/0017226 A1 1/2011 Choi  
 2011/0174680 A1 7/2011 Arvin et al.  
 2011/0284019 A1 11/2011 Fairweather  
 2012/0298130 A1 11/2012 Telwar et al.  
 2013/0174860 A1 7/2013 Takagi

2014/0166041 A1 6/2014 King  
 2014/0331422 A1 11/2014 Lim  
 2015/0027495 A1 1/2015 Xavier et al.  
 2016/0128445 A1 5/2016 Lim  
 2016/0262528 A1 9/2016 Telwar  
 2017/0188691 A1 7/2017 Richards  
 2017/0265637 A1 9/2017 Telwar  
 2018/0153293 A1 6/2018 Dovellos et al.  
 2018/0220786 A1 8/2018 Serposi

FOREIGN PATENT DOCUMENTS

CN 301855897 3/2012  
 CN 303866304 9/2016  
 CN 303901885 11/2016  
 EM 002602847-0002 \* 3/2015  
 EM 002910968-0001 12/2015  
 EM 002910968-0002 12/2015  
 EM 002910968-0003 12/2015  
 EM 002910968-0004 12/2015  
 EM 002910968-0005 12/2015  
 EM 002910968-0006 12/2015  
 EM 002910968-0007 12/2015  
 EM 002910968-0008 12/2015  
 EM 002910968-0009 12/2015  
 EM 002910968-0010 12/2015  
 EM 002910968-0011 12/2015  
 EM 002910968-0012 12/2015  
 EM 002910968-0013 12/2015  
 EM 003998293-0002 \* 6/2017  
 EM 003998293-0003 \* 6/2017  
 EM 003998293-0001 \* 6/2017  
 WO 2012142545 A2 10/2012

OTHER PUBLICATIONS

Iswarya, "Tmart 10pcs Professional Cosmetic Makeup Brush Set with Cream Colored Bag Review!!" I Am Girly Blog, Oct. 3, 2014, 8 pages. [URL] <http://i-am-girly.com/product-review/tmart-10-pcs-professional-cosmetic-makeup-brush-set-with-cream-colored-bag-review.html>.  
 "Real Techniques Point L Makeup Brush," Real Techniques, Retrieved from Internet Jan. 8, 2018, 5 pages. [URL] <https://realtechniques.com/point-l/p/1481>.  
 Tweet by Val Mendoza showing image of a set of 5 cosmetic brushes, Dec. 8, 2015, 9 pages. [URL] <https://twitter.com/rval78>.

\* cited by examiner

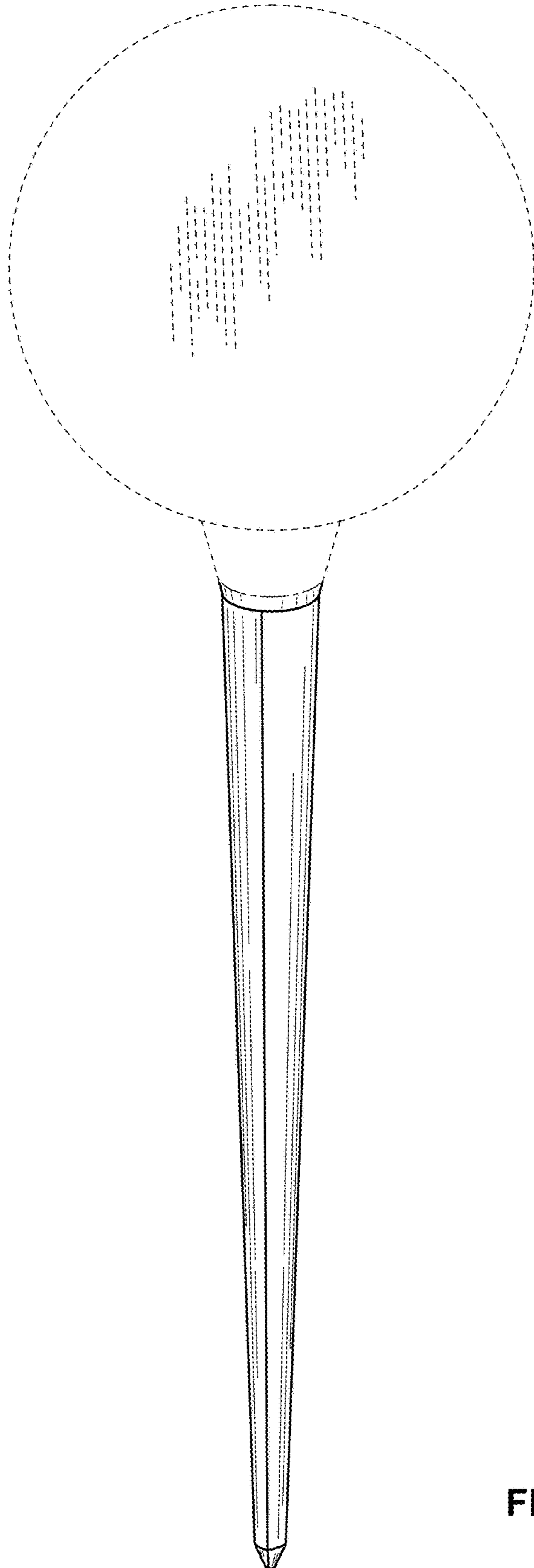


FIG. 1

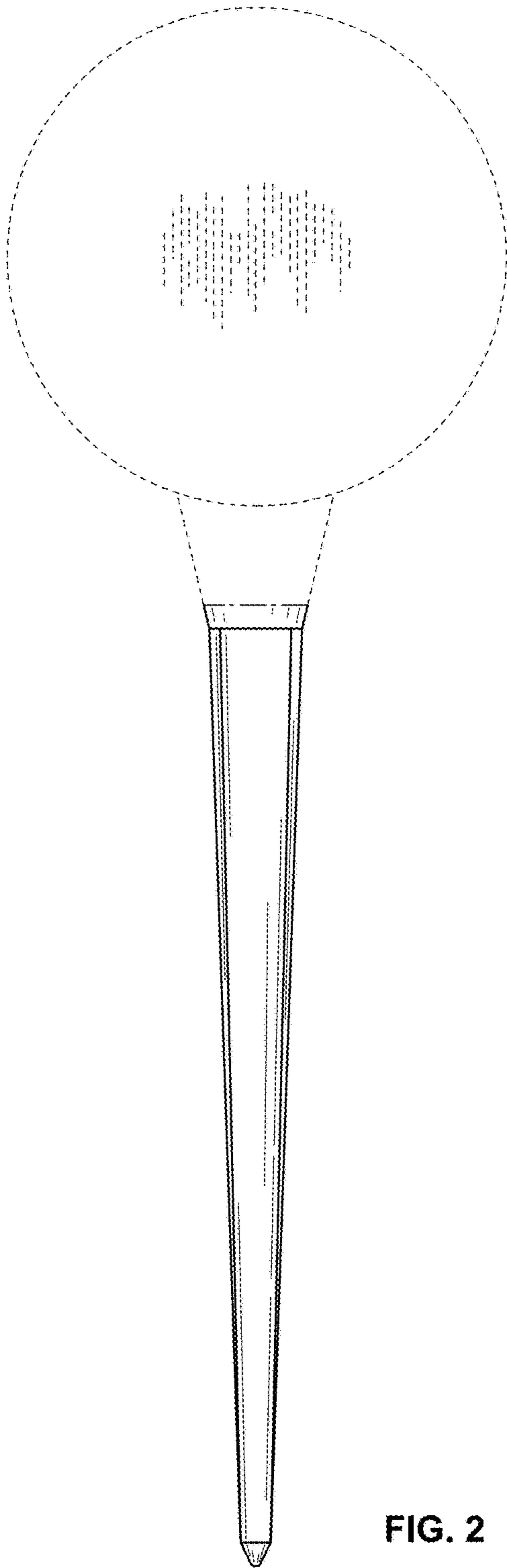


FIG. 2

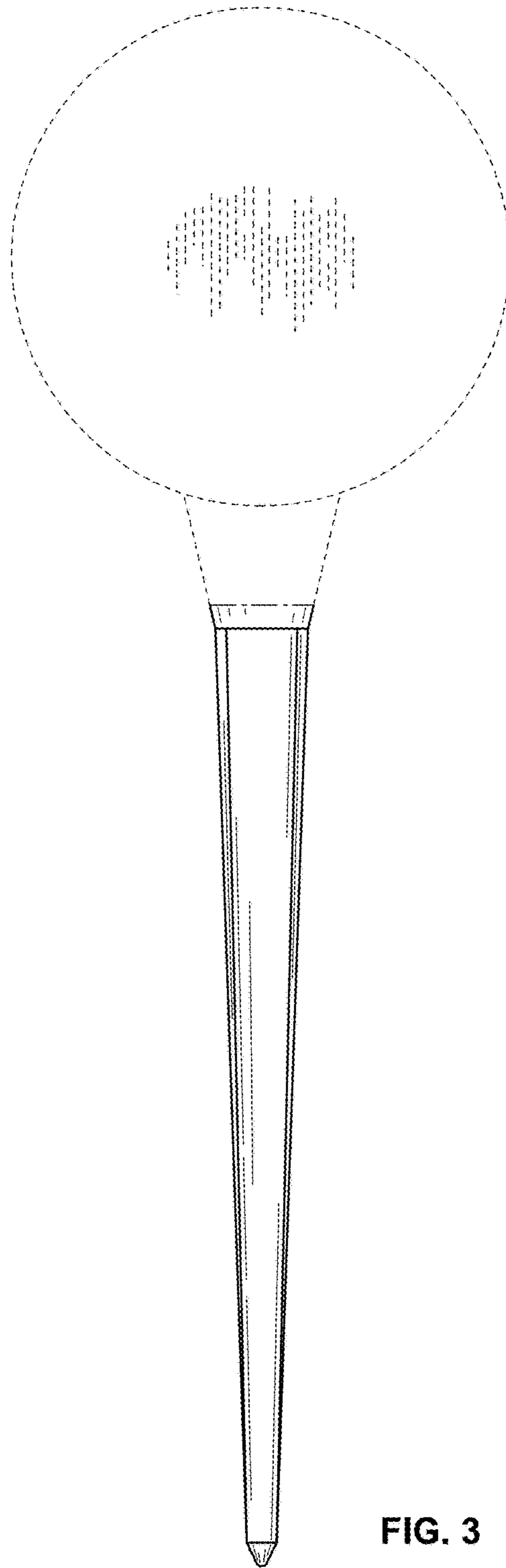


FIG. 3

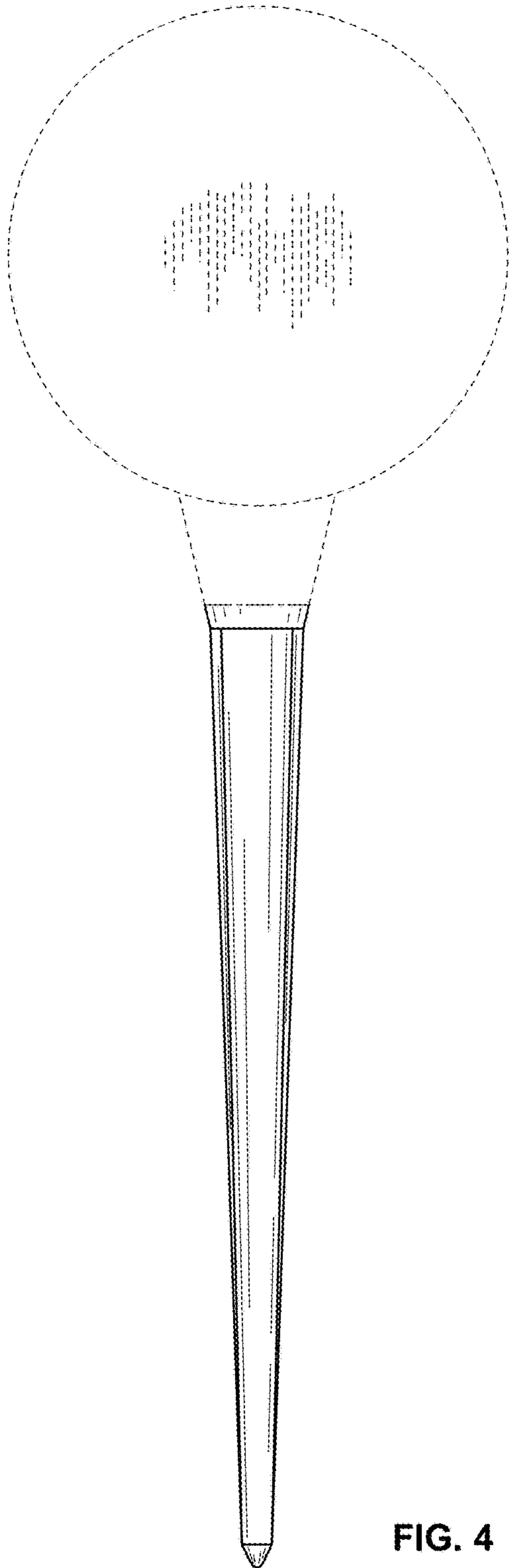


FIG. 4

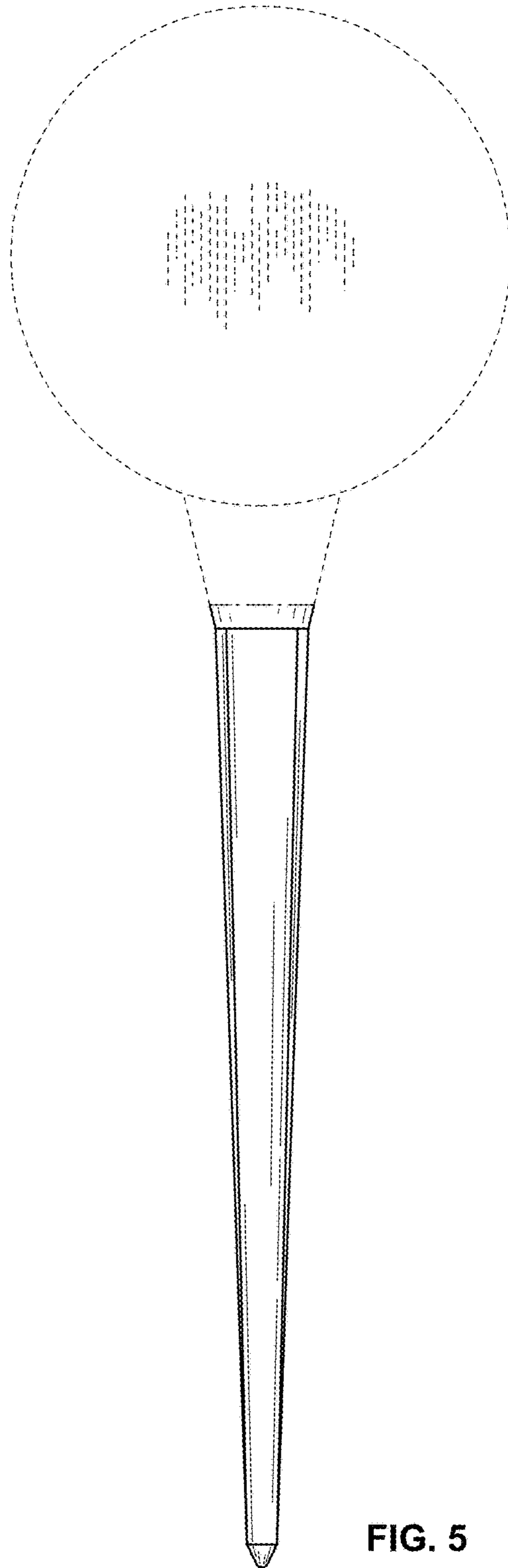


FIG. 5

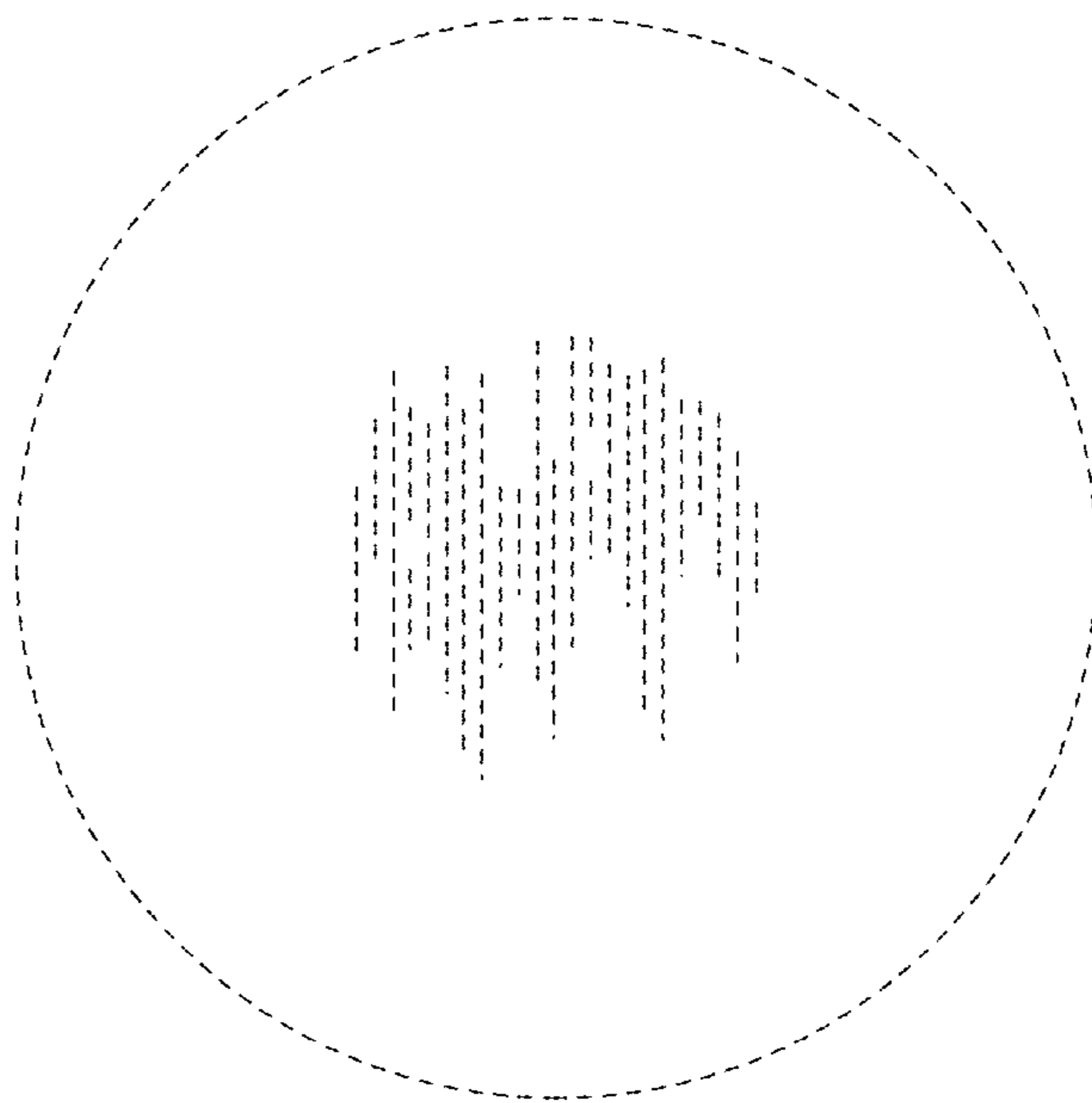


FIG. 6

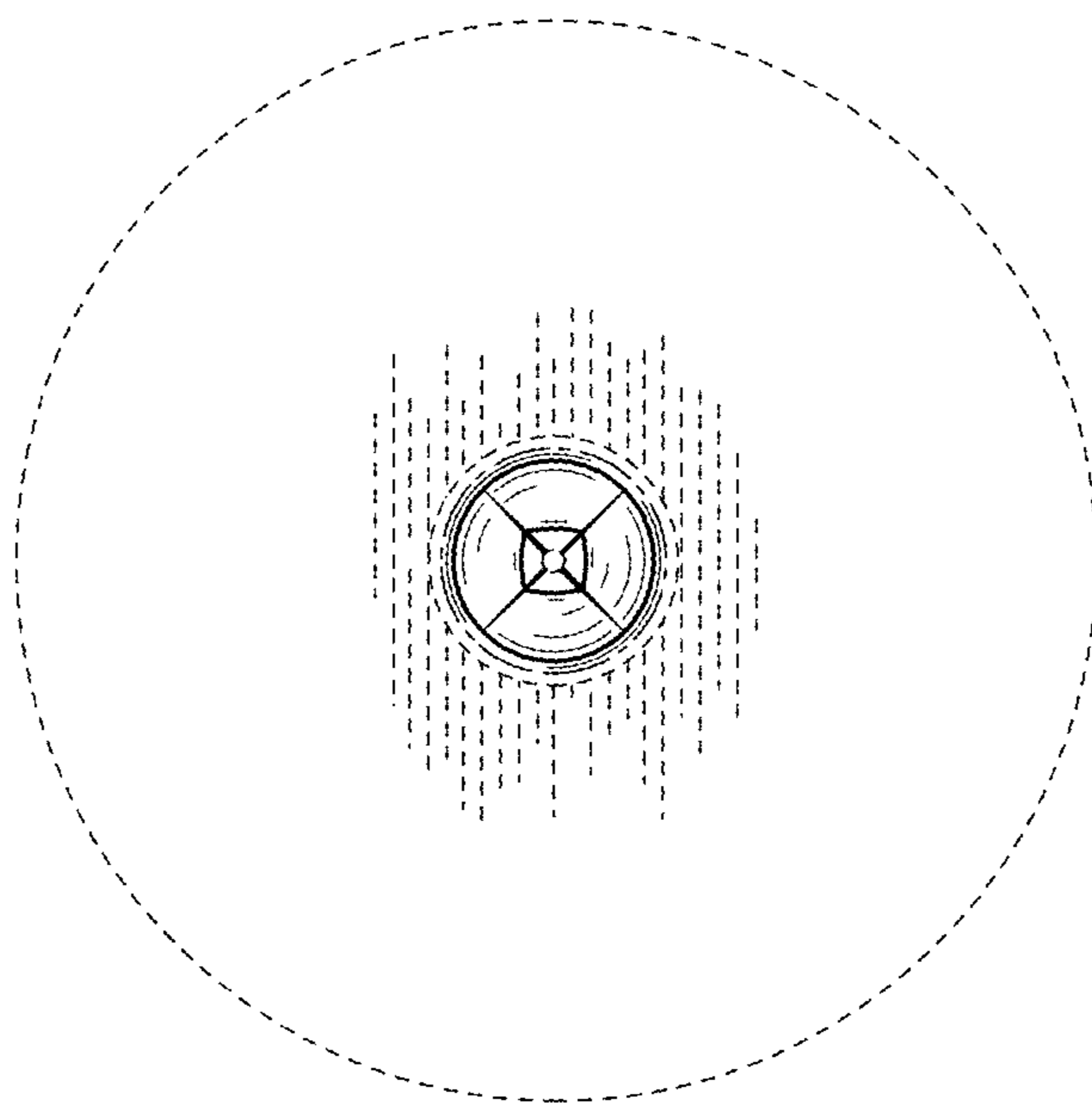


FIG. 7