



US00D866985S

(12) **United States Design Patent** (10) **Patent No.:** **US D866,985 S**
Zemel (45) **Date of Patent:** **** Nov. 19, 2019**

(54) **GRILL BRUSH**

(71) Applicant: **Mr. Bar-B-Q Products LLC**, Melville, NY (US)

(72) Inventor: **Marc Zemel**, Melville, NY (US)

(73) Assignee: **Mr. Bar-B-Q Products LLC**, Melville, NY (US)

(**) Term: **15 Years**

(21) Appl. No.: **29/638,964**

(22) Filed: **Mar. 2, 2018**

(51) **LOC (12) Cl.** **04-01**

(52) **U.S. Cl.**
USPC **D4/120**

(58) **Field of Classification Search**
USPC D4/110, 116, 118, 120, 130, 132, 134, D4/138; D8/90, 103, 105, 107, 300, 303; D32/50, 51, 52; D28/7, 63
CPC .. A46B 5/00; A46B 5/02; A46B 5/021; A46B 5/0095; A46B 2200/00; A46B 2200/30; A46B 2200/40; A46B 2200/405; A46B 2200/3033; A46B 2200/3046; A46B 2200/3073; A46B 2200/3093; A46B 1/00; A46B 3/12; A46B 3/005; Y10S 15/00; Y10S 15/05; Y10S 15/10

See application file for complete search history.

(56) **References Cited**

U.S. PATENT DOCUMENTS

D146,729 S	4/1947	Storm	
D321,286 S *	11/1991	Aldrich	D4/104
D374,557 S *	10/1996	Whitaker	D32/42
D377,867 S *	2/1997	Berghash	D4/105
D392,151 S *	3/1998	Munari	D7/395
D411,368 S *	6/1999	Liu	D32/42
D417,121 S	11/1999	Brunianyn	
D417,550 S *	12/1999	Lu	D32/42
D427,025 S	6/2000	Lee	

D427,858 S	7/2000	Zemel	
D431,753 S	10/2000	Cohen et al.	
D431,960 S	10/2000	Hay	
D438,709 S *	3/2001	Chen	D4/120

(Continued)

OTHER PUBLICATIONS

Design U.S. Appl. No. 29/611,478, filed Jul. 21, 2017 in the name of Blue Rhino Global Sourcing, Inc.
(Continued)

Primary Examiner — Wan Laymon

Assistant Examiner — Clint A Samuel

(74) *Attorney, Agent, or Firm* — Carter, DeLuca & Farrell LLP

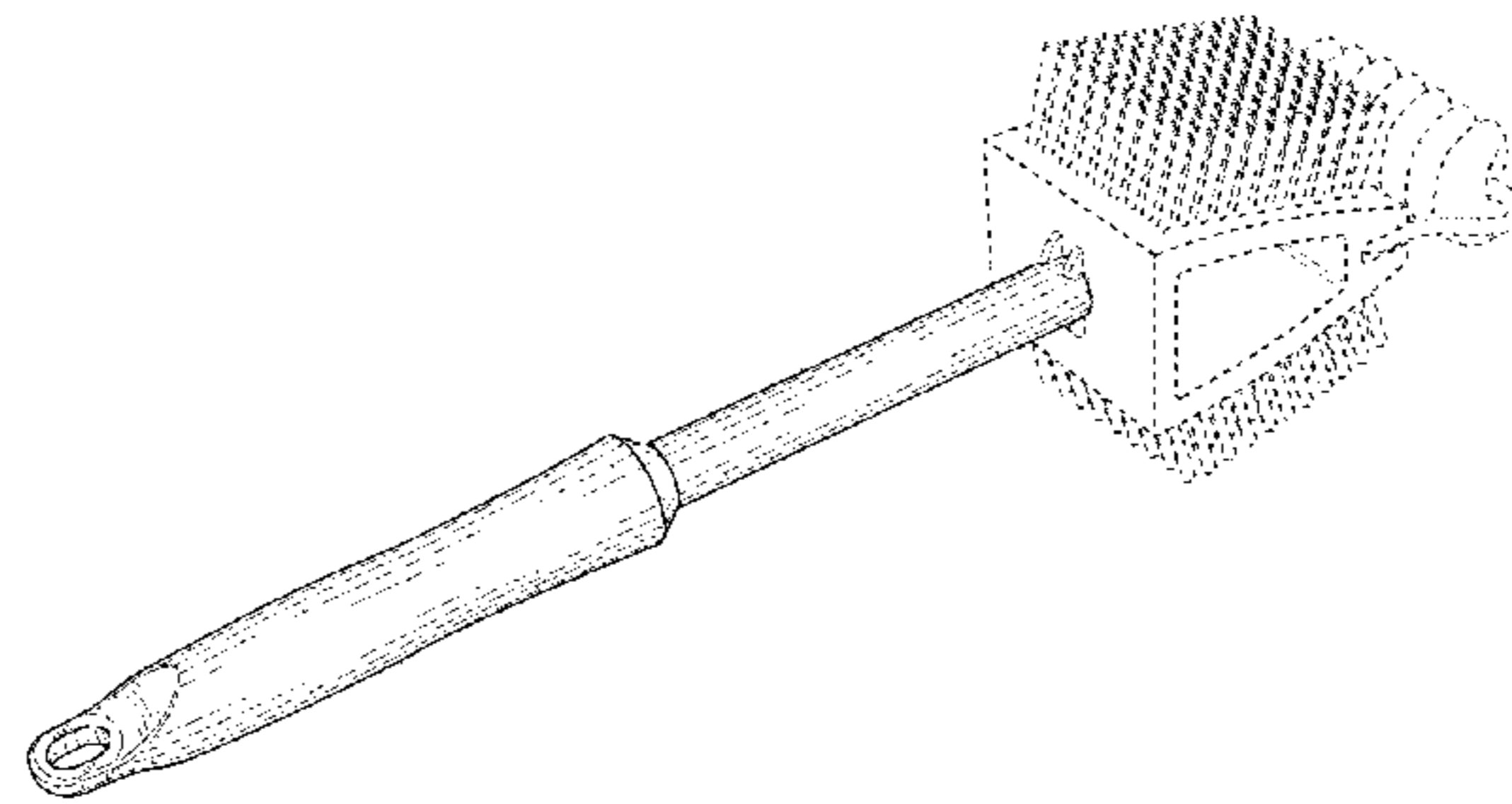
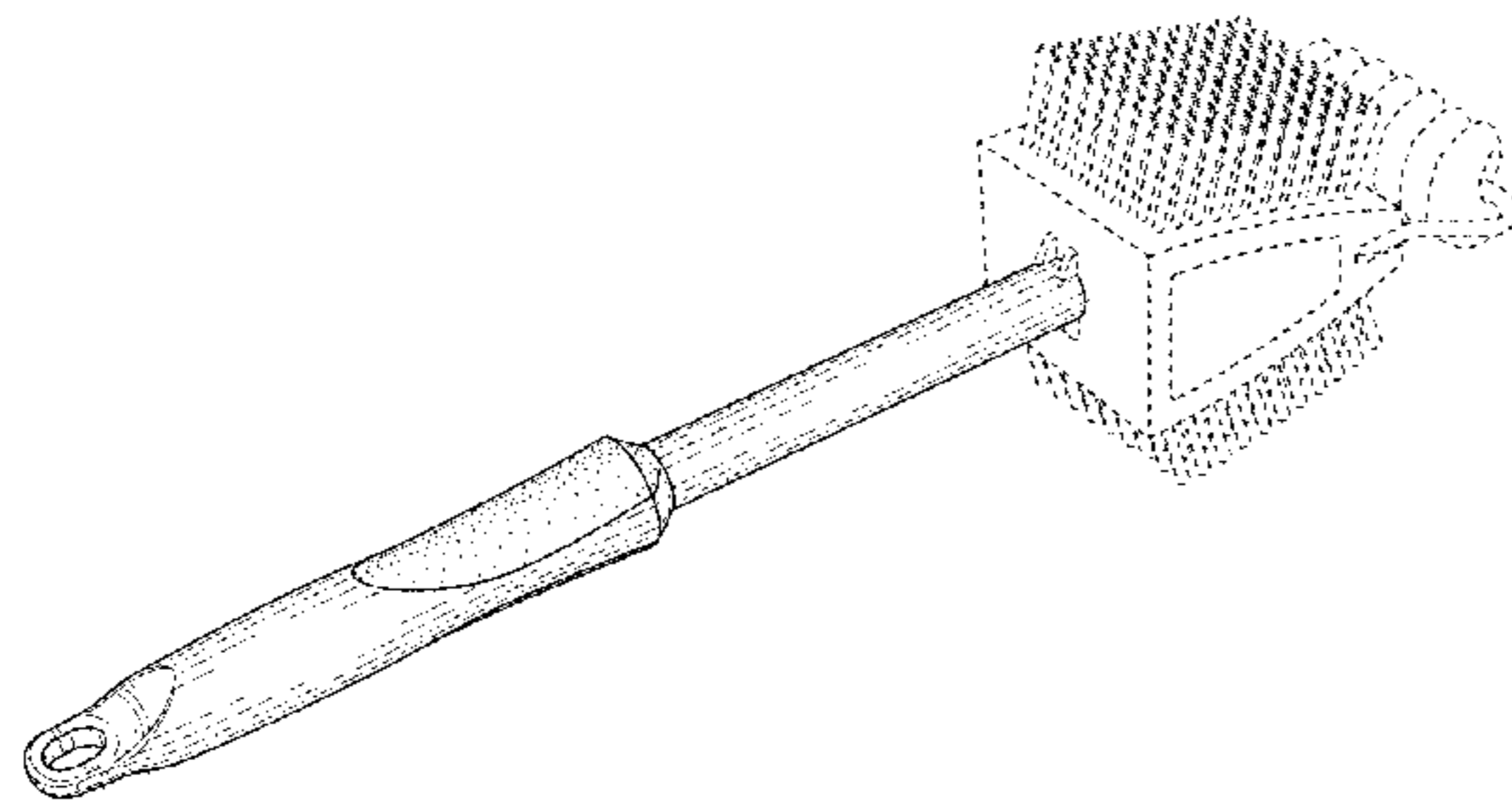
(57) **CLAIM**

The ornamental design for a grill brush, as shown and described.

DESCRIPTION

FIG. 1 is a perspective view of a grill brush in accordance with the present design;
FIG. 2 is a left side elevational view thereof;
FIG. 3 is a right side elevational view thereof;
FIG. 4 is a front elevational view thereof;
FIG. 5 is a rear elevational view thereof;
FIG. 6 is a top plan view thereof;
FIG. 7 is a bottom plan view thereof;
FIG. 8 is a perspective view of an alternate embodiment of a grill brush in accordance with the present design;
FIG. 9 is a left side elevational view thereof;
FIG. 10 is a right side elevational view thereof;
FIG. 11 is a front elevational view thereof;
FIG. 12 is a rear elevational view thereof;
FIG. 13 is a top plan view thereof; and,
FIG. 14 is a bottom plan view thereof.
The broken lines shown in the drawings illustrate portions of the grill brush that form no part of the claimed design.

1 Claim, 8 Drawing Sheets



(56)

References Cited

U.S. PATENT DOCUMENTS

D442,026 S 5/2001 Rae
 D445,257 S * 7/2001 Hay D4/120
 D445,654 S 7/2001 Yu
 D448,973 S 10/2001 Hay et al.
 D456,207 S 4/2002 Zemel
 D456,615 S 5/2002 Zemel
 D456,667 S 5/2002 Veltri et al.
 D463,952 S 10/2002 Zemel
 D465,336 S 11/2002 Zemel
 D466,307 S * 12/2002 Cantrell D32/42
 D468,107 S * 1/2003 Shen D32/42
 D471,365 S * 3/2003 Henrie D4/120
 D474,644 S 5/2003 Zemel
 D476,525 S 7/2003 Zemel
 D481,906 S 11/2003 Knor
 D482,566 S 11/2003 Zemel
 D482,569 S 11/2003 Zemel
 D489,533 S * 5/2004 Yost D4/106
 D491,413 S 6/2004 Rosenthal
 D492,543 S 7/2004 Munari
 D494,006 S 8/2004 Zemel
 D494,807 S 8/2004 Zemel
 D496,558 S 9/2004 Zemel
 D502,323 S * 3/2005 Zemel D4/120
 D503,071 S 3/2005 Lu
 D528,857 S 9/2006 Zemel
 D529,333 S 10/2006 Zemel
 D529,335 S 10/2006 Zemel
 D531,853 S 11/2006 Zemel
 D533,397 S 12/2006 Zemel
 D534,001 S 12/2006 Zemel
 D535,147 S 1/2007 Zemel
 D535,519 S 1/2007 Zemel
 D540,543 S * 4/2007 Hay D4/118
 D544,750 S 6/2007 Zemel
 D545,120 S 6/2007 Zemel
 D545,121 S 6/2007 Zemel
 D550,504 S 9/2007 Zemel
 D562,062 S 2/2008 Zemel
 D562,064 S 2/2008 Zemel
 D563,675 S 3/2008 Zemel
 D564,292 S 3/2008 Zemel
 D566,460 S 4/2008 Zemel
 D569,174 S 5/2008 Zemel
 D572,079 S 7/2008 Zemel
 D572,080 S 7/2008 Zemel

D574,184 S 8/2008 Zemel
 D575,523 S * 8/2008 Libman D4/132
 D578,826 S 10/2008 Lu
 D579,269 S 10/2008 Zemel
 D579,668 S 11/2008 Zemel
 D580,659 S 11/2008 Zemel
 D580,707 S * 11/2008 Chen D7/395
 D588,868 S 3/2009 Zemel
 D618,499 S 6/2010 Zemel
 D622,542 S 8/2010 Zemel
 D628,391 S * 12/2010 Knight D4/120
 D629,650 S 12/2010 Funka, Jr. et al.
 D630,021 S * 1/2011 Libman D4/118
 D631,289 S 1/2011 Tuli
 D650,590 S * 12/2011 Carlson D4/120
 D652,629 S * 1/2012 Zemel D4/120
 D658,433 S 5/2012 Zemel
 D658,937 S 5/2012 Zemel
 D660,141 S 5/2012 Zemel
 D663,159 S 7/2012 Zemel
 D690,153 S 9/2013 Zemel
 D702,996 S 4/2014 Zemel et al.
 D704,451 S * 5/2014 Schouten D4/132
 D737,626 S 9/2015 Lu
 D744,758 S * 12/2015 Albers D28/55
 D748,399 S * 2/2016 Lu D4/118
 D756,660 S * 5/2016 Zemel D4/120
 D762,392 S * 8/2016 Chitayat D4/118
 D773,242 S 12/2016 Zemel et al.
 D775,471 S * 1/2017 Chitayat D4/118
 D832,587 S * 11/2018 Zemel D4/118
 D833,751 S * 11/2018 Lien D4/118
 D841,986 S * 3/2019 Renner D4/120
 D843,054 S * 3/2019 Rodgers D28/7
 D845,639 S * 4/2019 Hu D4/118
 2013/0061411 A1 * 3/2013 Witzel A47L 17/00
 15/106
 2014/0331424 A1 * 11/2014 Gonzalez A46B 3/18
 15/111
 2015/0135456 A1 * 5/2015 Kirchhofer A46B 1/00
 15/160

OTHER PUBLICATIONS

Design U.S. Appl. No. 29/617,481, filed Sep. 14, 2017 in the name of Blue Rhino Global Sourcing, Inc.

* cited by examiner

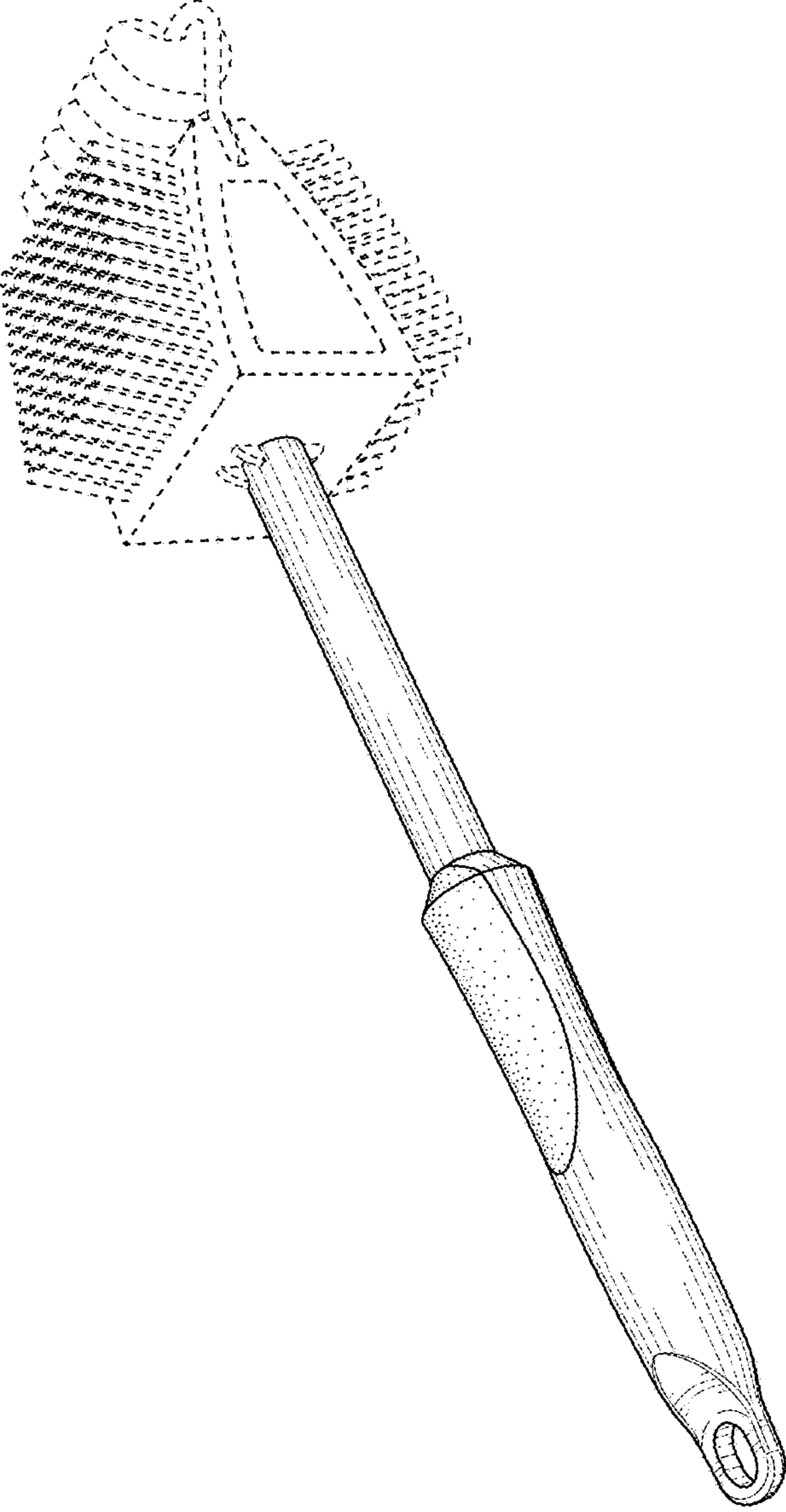


FIG. 1

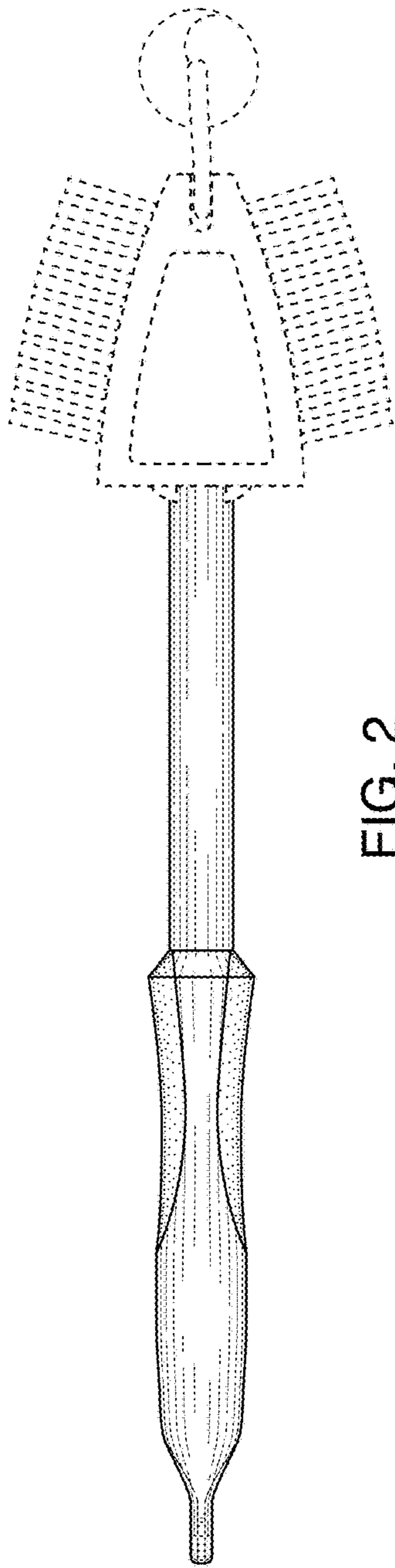


FIG. 2

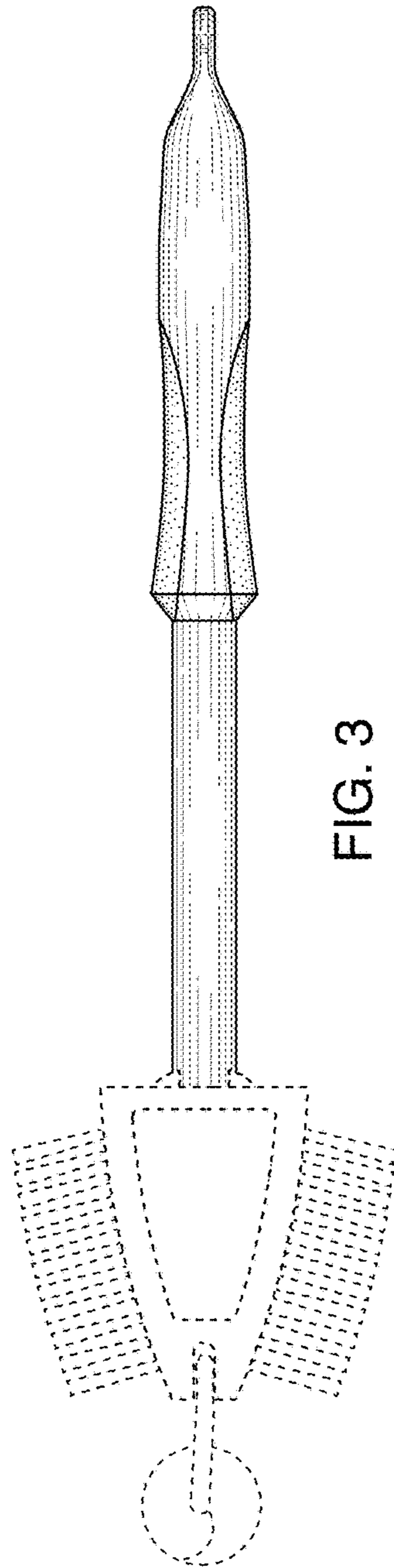


FIG. 3

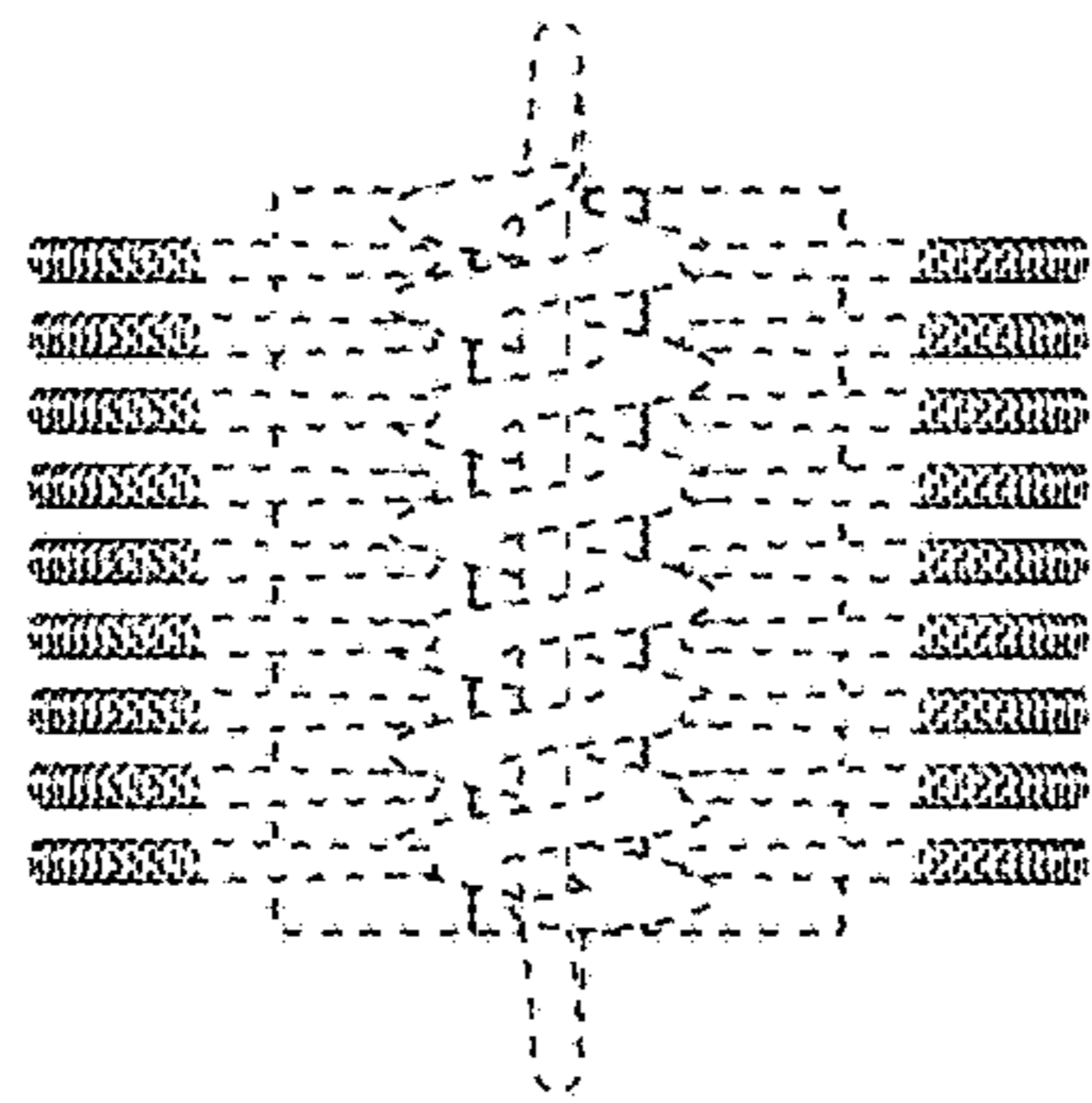


FIG. 4

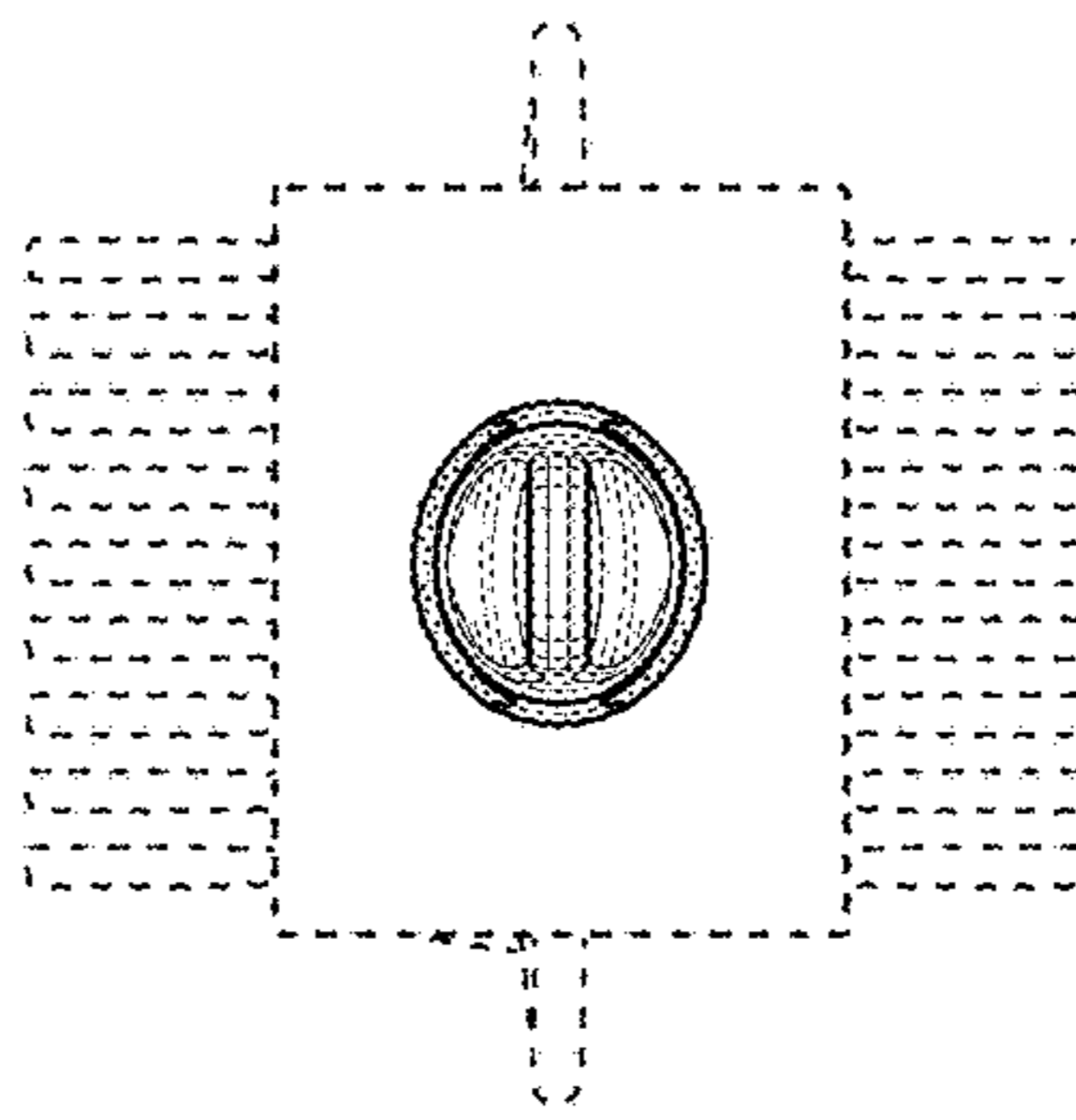


FIG. 5

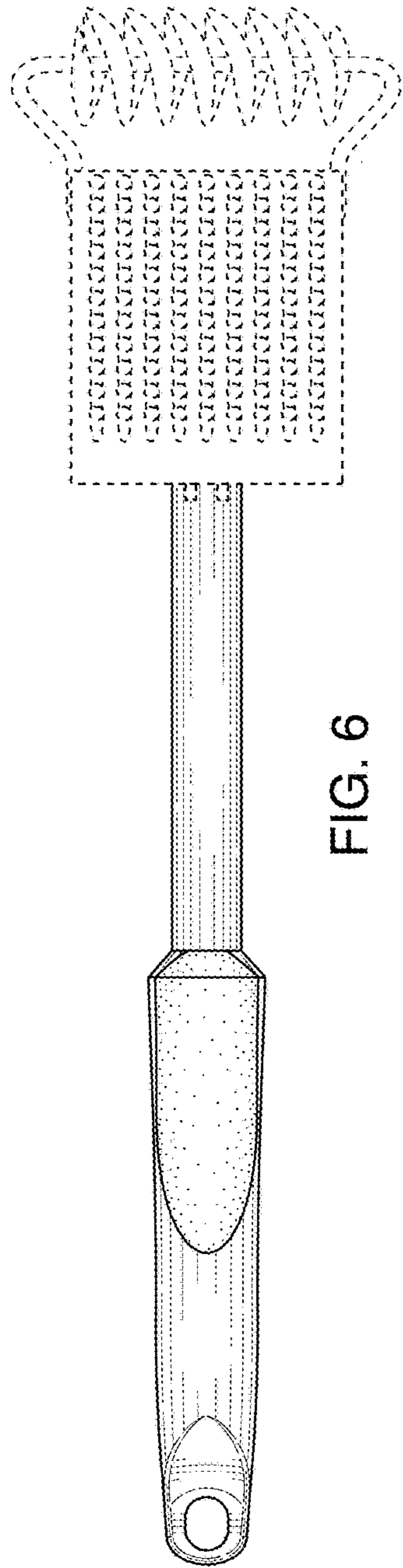


FIG. 6

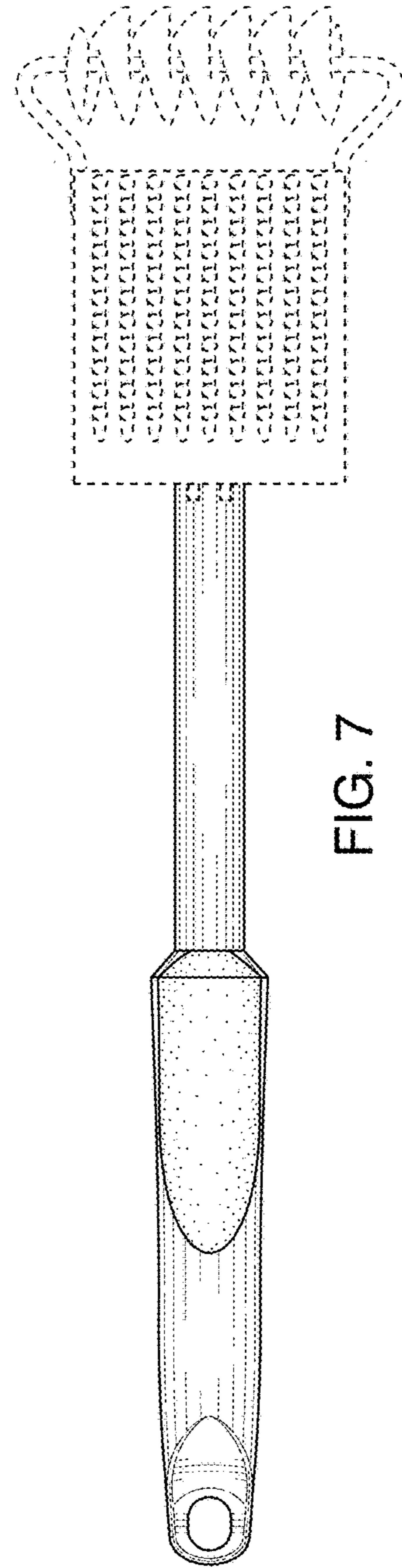


FIG. 7

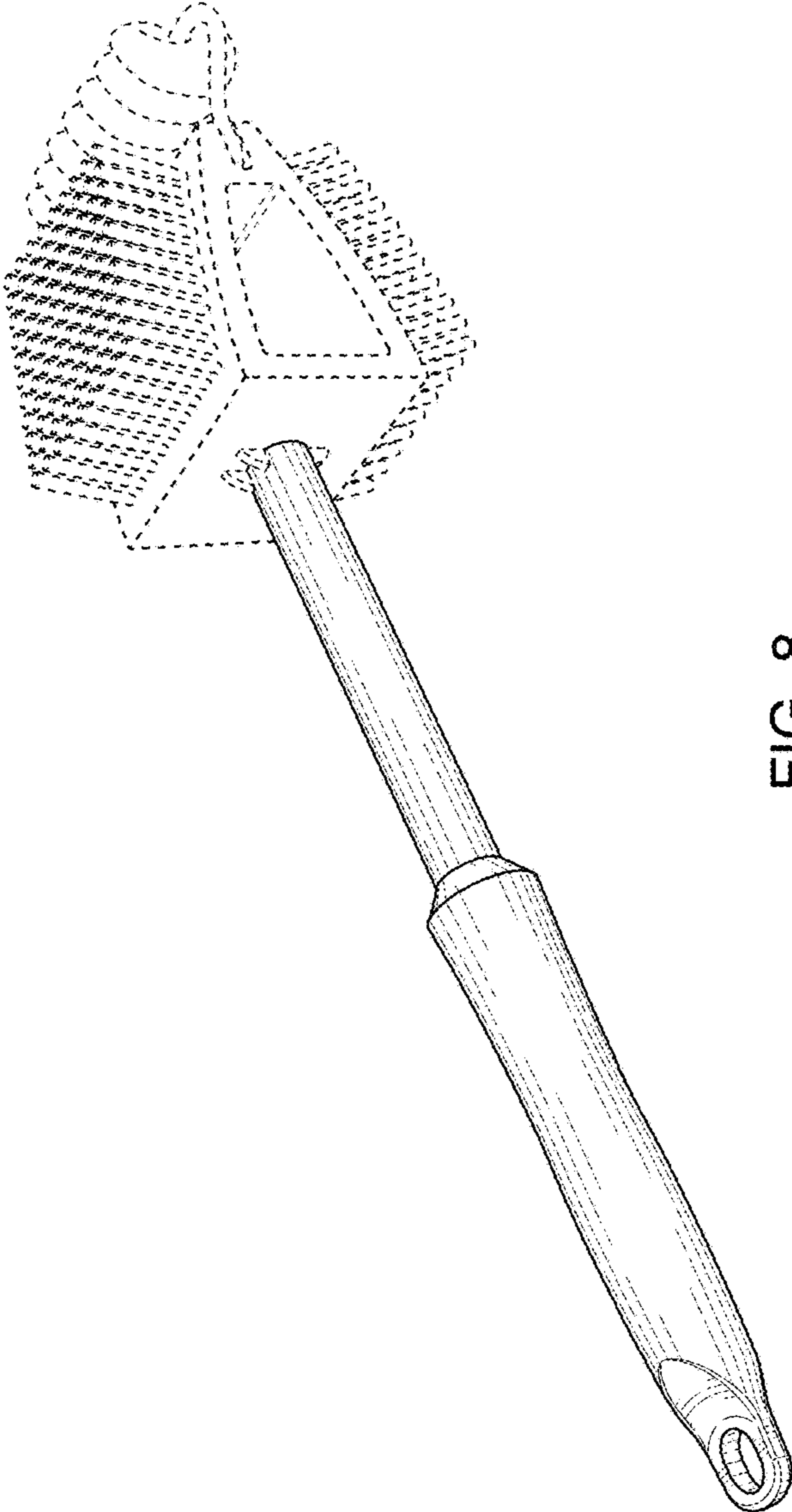
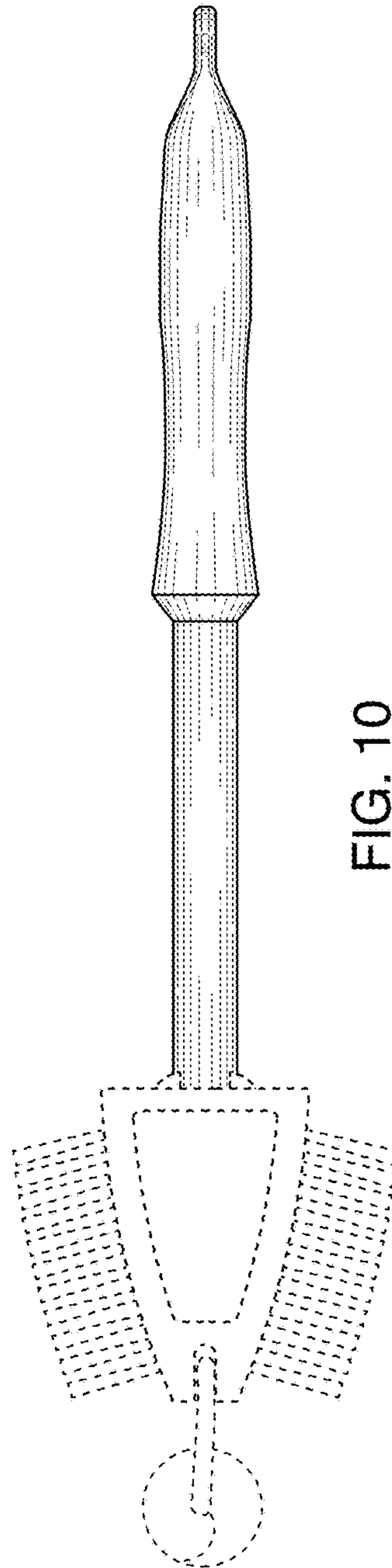
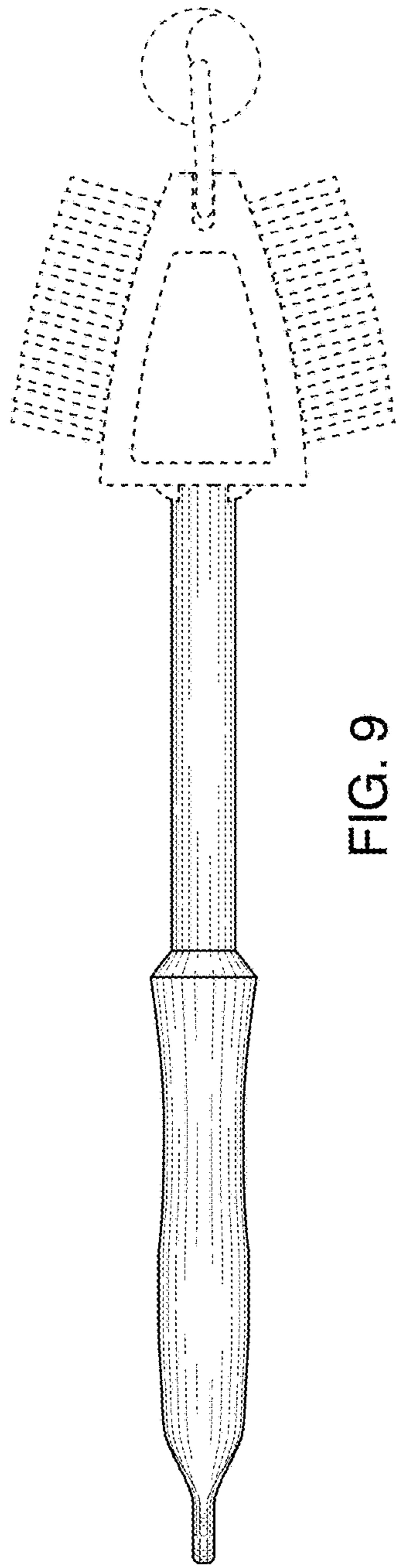


FIG. 8



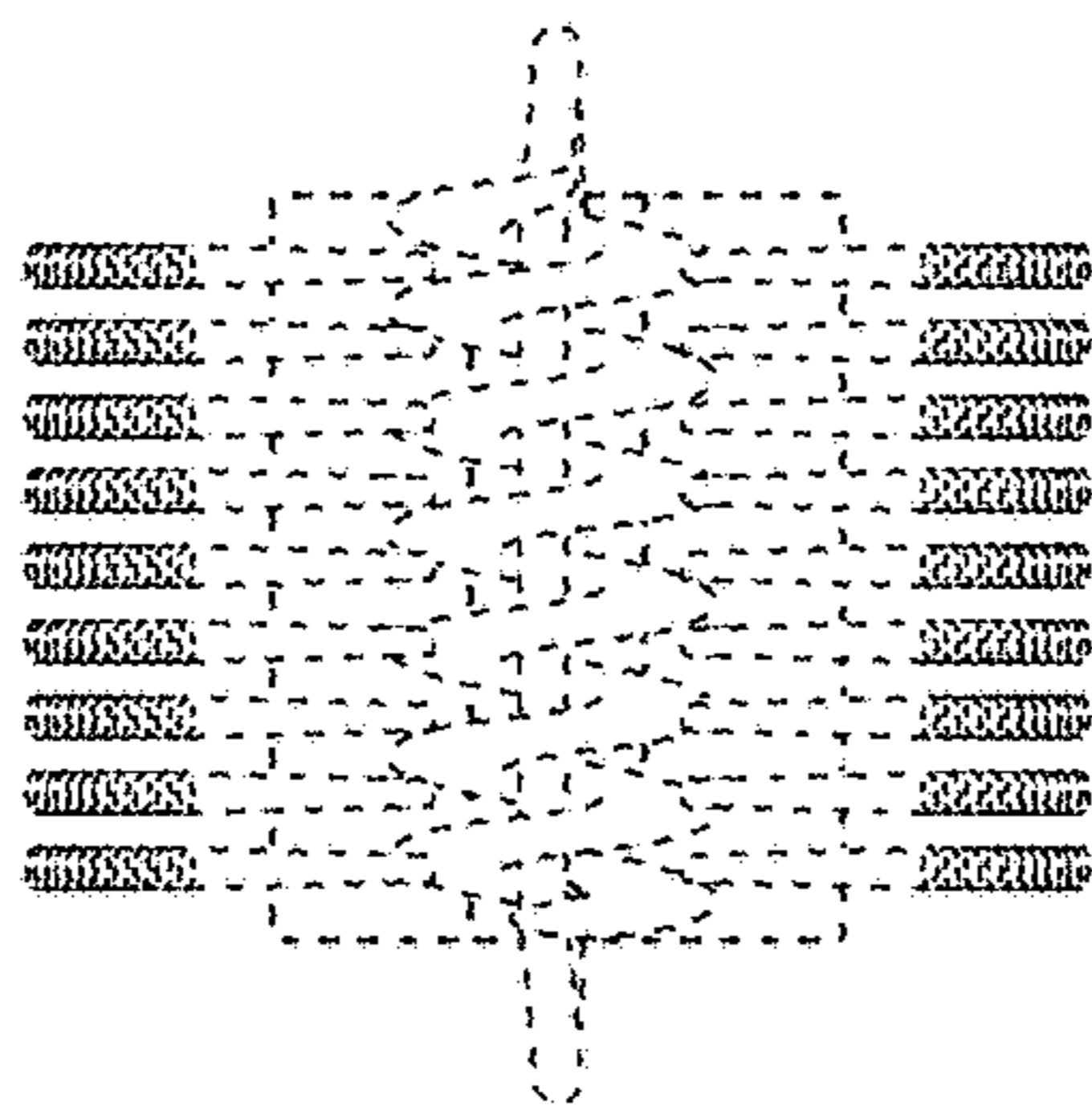


FIG. 11

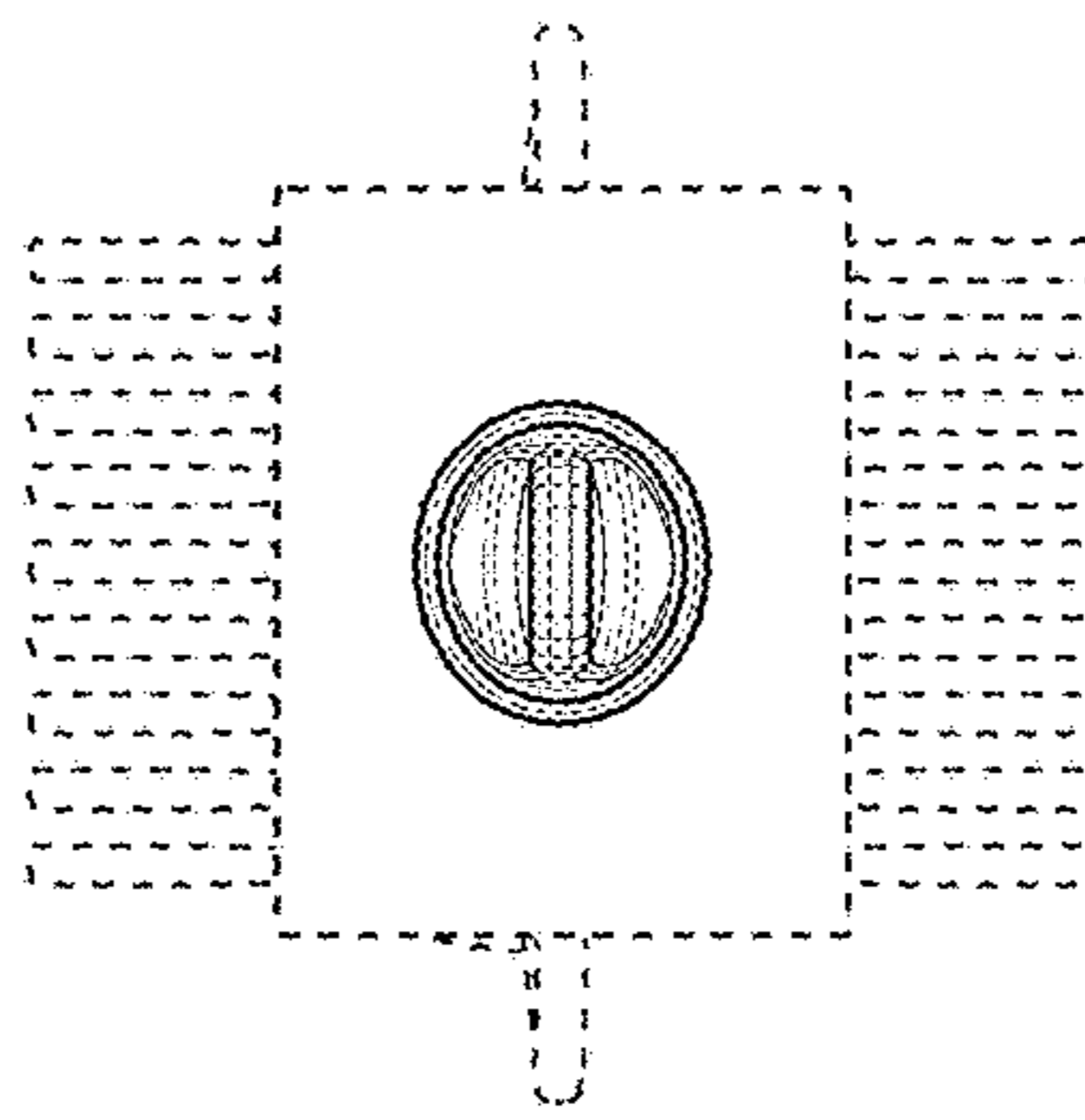


FIG. 12

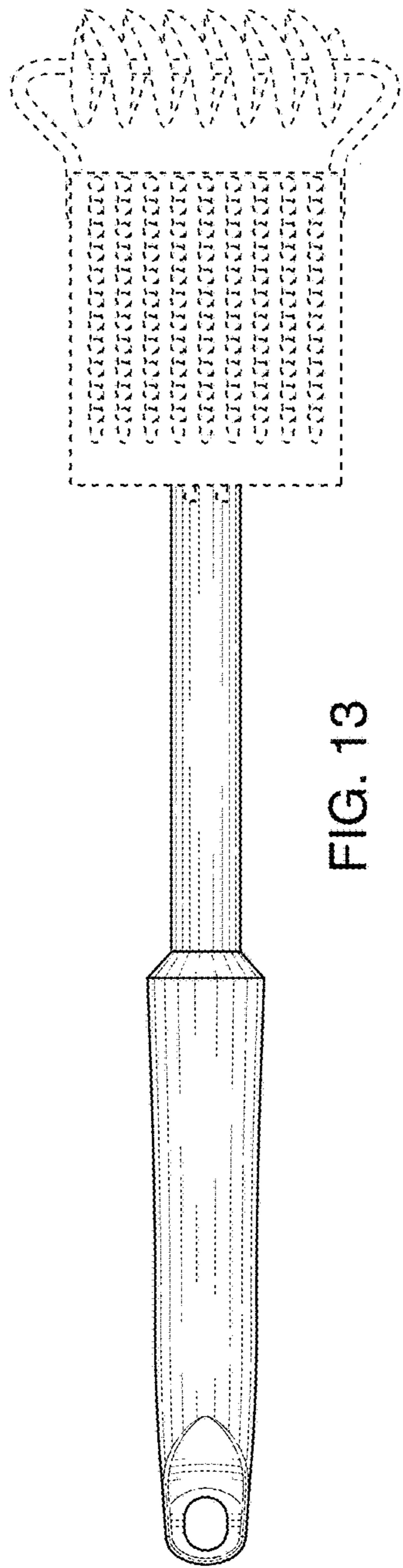


FIG. 13

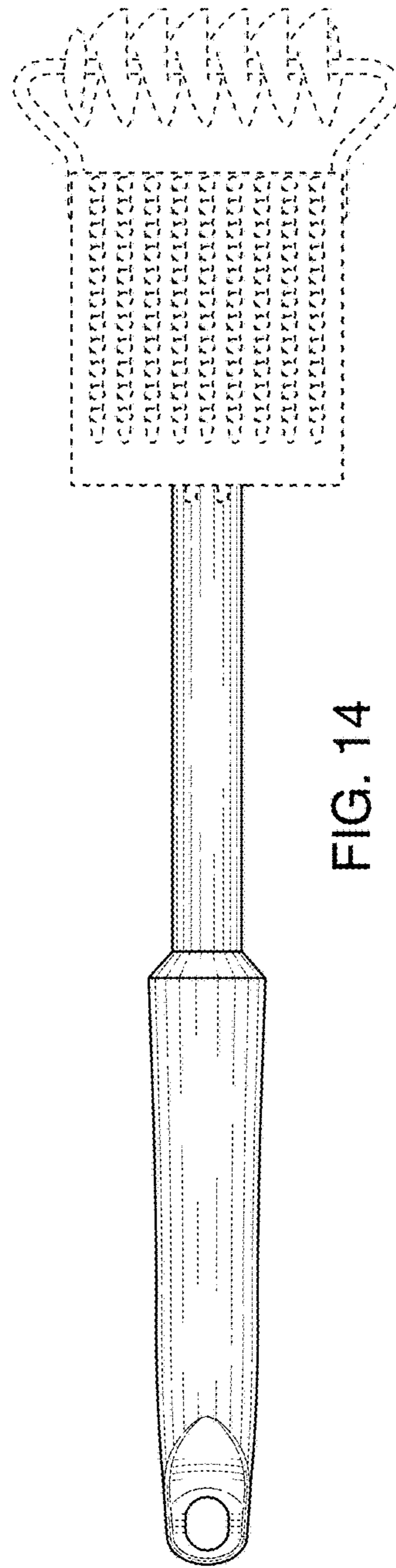


FIG. 14