



US00D866984S

(12) **United States Design Patent**
Odum

(10) **Patent No.:** **US D866,984 S**

(45) **Date of Patent:** **** Nov. 19, 2019**

(54) **COMBINATION EDGE BRUSH**

(71) Applicant: **Firstline, Incorporated**, Stafford, TX
(US)

(72) Inventor: **Joni Allyn Odum**, Collegeville, PA
(US)

(73) Assignee: **Firstline, Incorporated**, Stafford, TX
(US)

(**) Term: **15 Years**

(21) Appl. No.: **29/656,467**

(22) Filed: **Jul. 12, 2018**

(51) **LOC (12) Cl.** **04-99**

(52) **U.S. Cl.**
USPC **D4/117**

(58) **Field of Classification Search**
USPC D4/104-106, 108, 110, 112, 116-118,
D4/127, 128, 130, 132, 134; D28/7, 10,
D28/21, 25, 30
CPC .. A46B 3/005; A46B 5/00; A46B 5/02; A46B
5/021; A46B 9/02; A46B 9/021; A46B
9/023; A46B 13/001; A46B 13/008; A46B
15/0055; A46B 15/0081; A46B 15/0087;
A46B 17/02; A46B 2200/30; A46B
2200/104; A46B 2200/106; A46B
2200/202; A46B 2200/205; A46B
2200/207; A46B 2200/304; A46B
2200/1006; A46B 2200/1046; A46B
2200/1053; A46B 2200/3006; A46B
2200/3033; A46B 2200/3093; A45D
24/10; A45D 24/14; A45D 24/16; H01L
21/67046

See application file for complete search history.

(56) **References Cited**

U.S. PATENT DOCUMENTS

D123,430 S * 11/1940 Hertzberg 15/143.1
2,272,151 A * 2/1942 Hertzberg A45D 24/18
132/120

D159,106 S * 6/1950 Stamp 132/120
2,602,457 A * 7/1952 Mele A45D 24/16
132/120
D358,646 S * 5/1995 Weber D24/149
D490,185 S * 5/2004 Hegner D28/29
(Continued)

OTHER PUBLICATIONS

BabyTress.com, Edge Styler, undated online product page, retrieved
Jun. 13, 2019 from <URL:https://babytress.com/products/edge-
styler. (Year: 2019).*

(Continued)

Primary Examiner — Sheryl Lane
Assistant Examiner — Calvin E Vansant
(74) *Attorney, Agent, or Firm* — Shannon W. Bates;
Harper Bates & Champion LLP

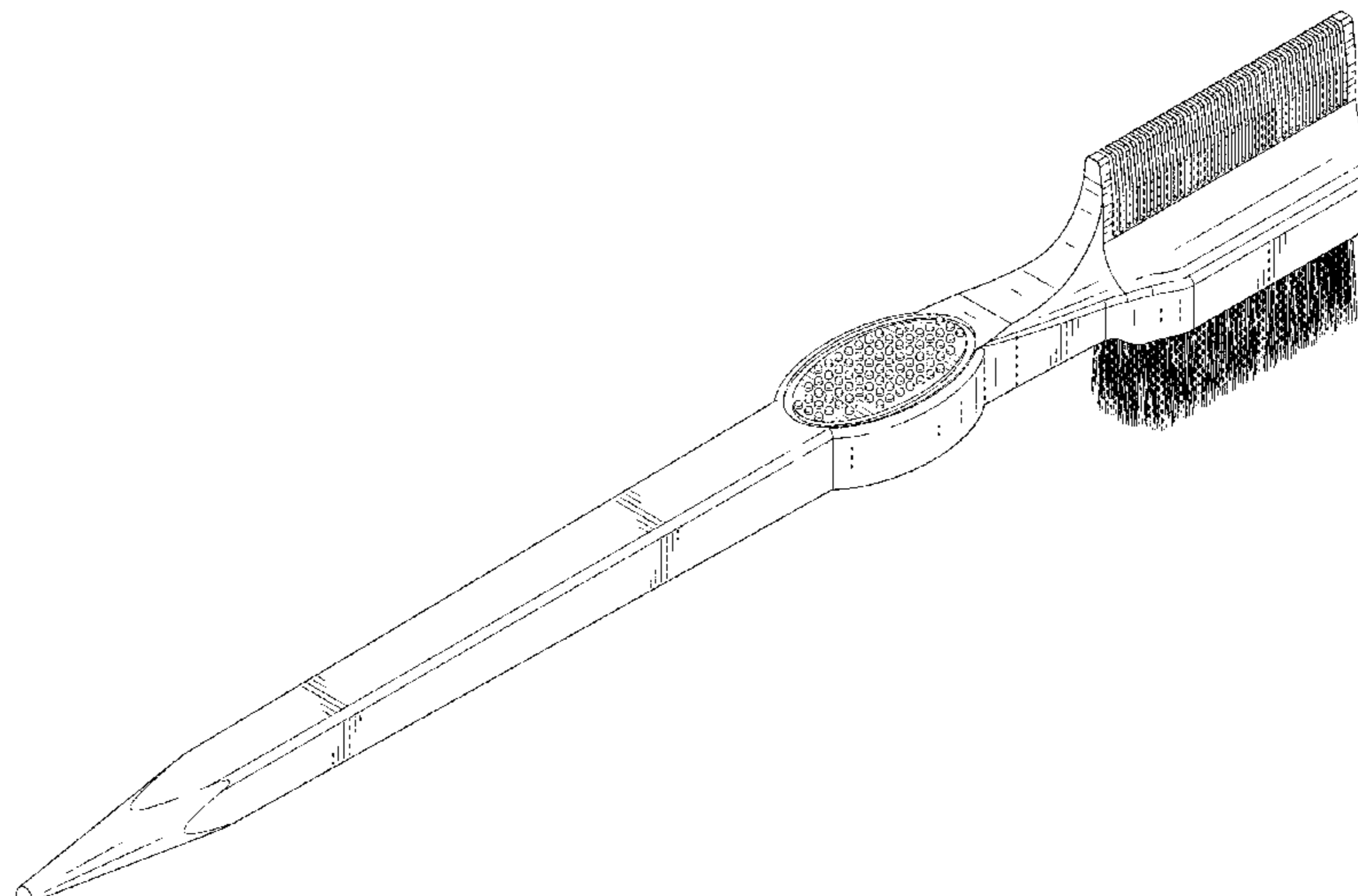
(57) **CLAIM**

The ornamental design for a combination edge brush, as
shown and described.

DESCRIPTION

FIG. 1 is a front perspective view of the combination edge
brush of the present invention;
FIG. 2 is a front view of the combination edge brush of the
present invention;
FIG. 3 is a rear view of the combination edge brush of the
present invention;
FIG. 4 is a right side view of the combination edge brush of
the present invention;
FIG. 5 is a left side view of the combination edge brush of
the present invention;
FIG. 6 is a top view of the combination edge brush of the
present invention; and,
FIG. 7 is a bottom view of the combination edge brush of the
present invention.

1 Claim, 4 Drawing Sheets



(56)

References Cited

U.S. PATENT DOCUMENTS

D654,271 S * 2/2012 Hayes A45D 24/18
D4/108
D742,650 S * 11/2015 Albers D4/116
D744,758 S * 12/2015 Albers D28/55
D813,553 S * 3/2018 Ford A45D 24/16
D4/134
D839,602 S * 2/2019 Taylor D4/118

OTHER PUBLICATIONS

Camryn's BFF Gentle Edges Brush 818 Pink; retrieved from
www.firstlinebrands.com on Jul. 6, 2018 (2 pages).

Evolve "The Perfect Edge" Brush 573 Bamboo; retrieved from
www.firstlinebrands.com on Jul. 6, 2018 (4 pages).

* cited by examiner

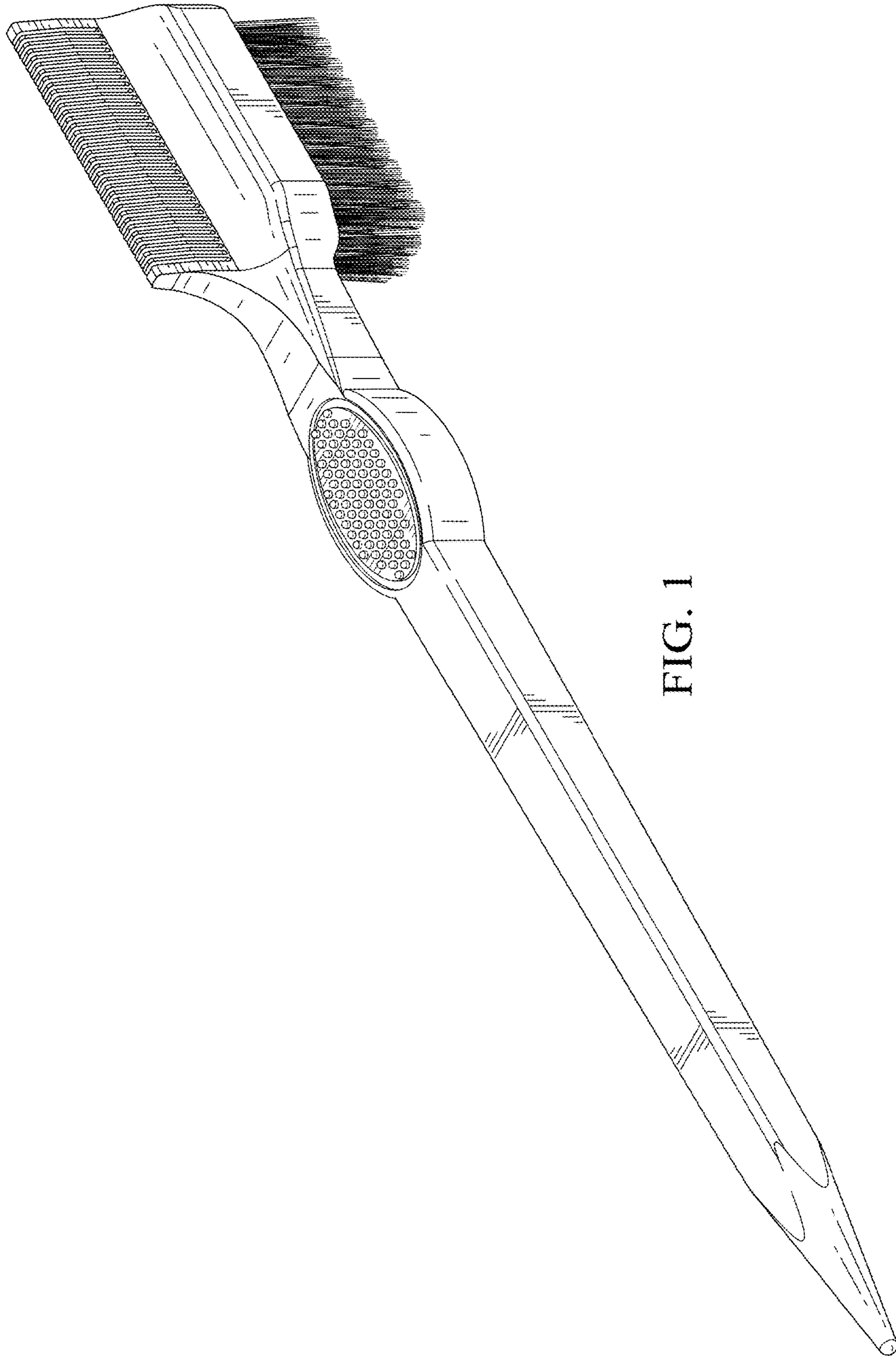


FIG. 1

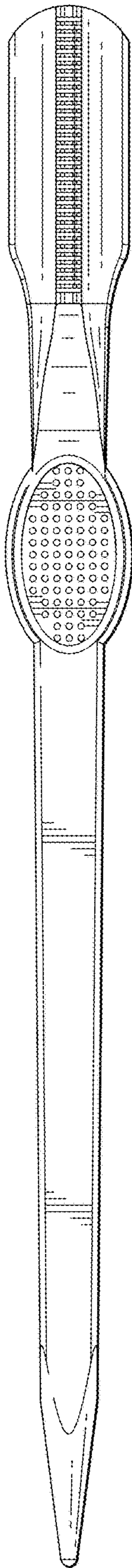


FIG. 2

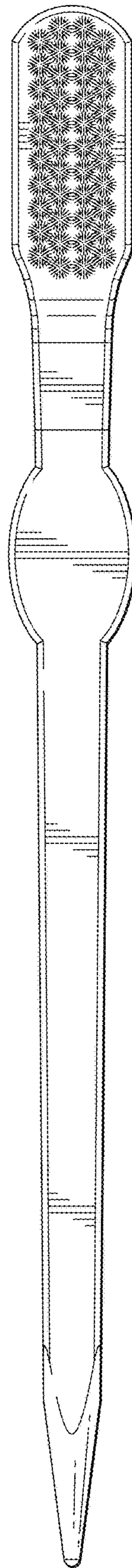


FIG. 3

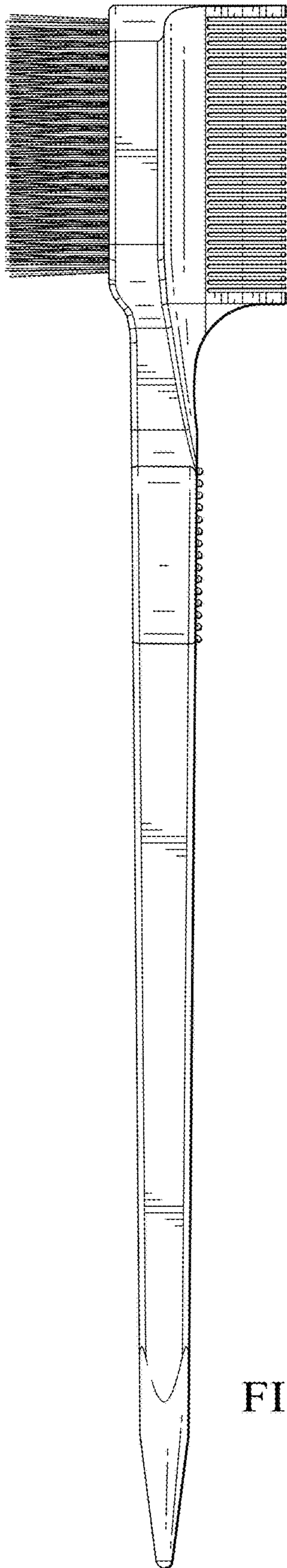


FIG. 4

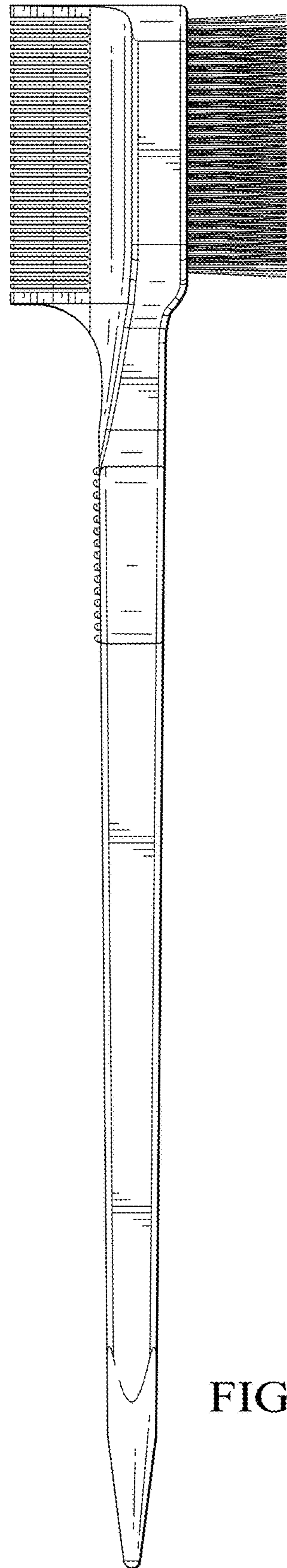


FIG. 5

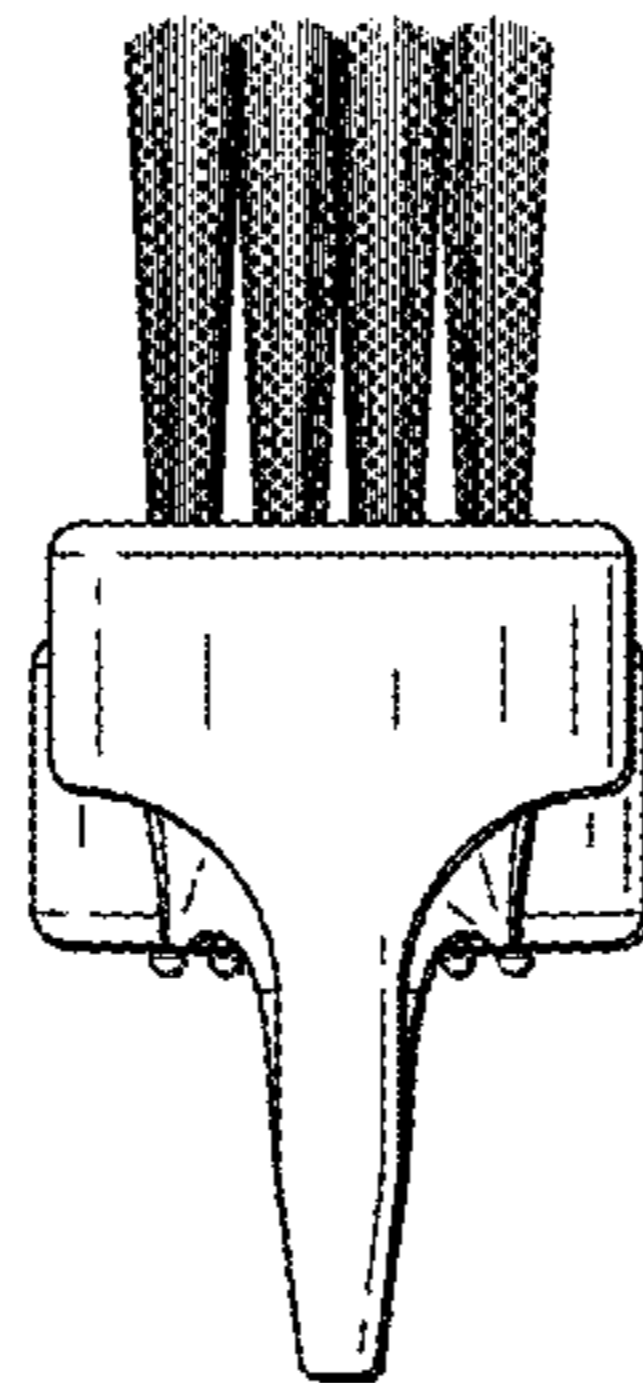


FIG. 6

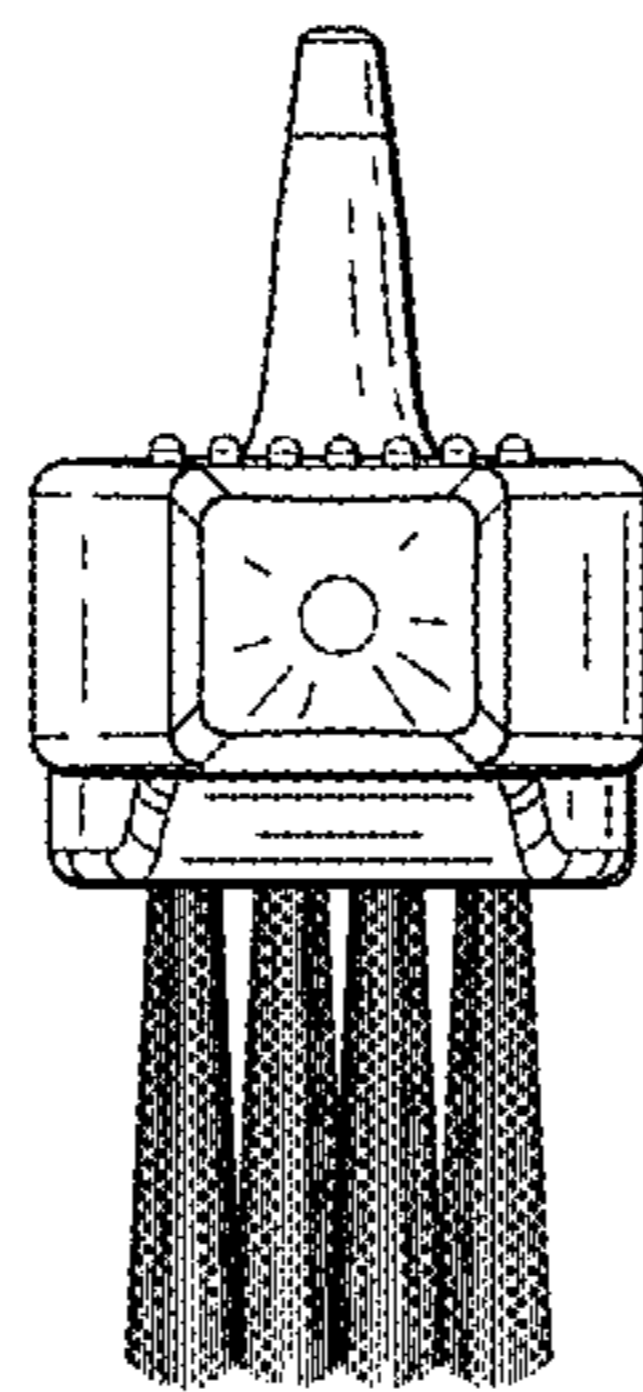


FIG. 7