

US00D866983S

(12) **United States Design Patent**
Pickering

(10) **Patent No.:** **US D866,983 S**

(45) **Date of Patent:** **** Nov. 19, 2019**

(54) **CONTAINER WITH INTEGRATED BRUSH APPLICATOR**

(71) Applicant: **Christine Pickering**, Tipton, IN (US)

(72) Inventor: **Christine Pickering**, Tipton, IN (US)

(**) Term: **15 Years**

(21) Appl. No.: **29/643,584**

(22) Filed: **Apr. 10, 2018**

(51) **LOC (12) Cl.** **04-99**

(52) **U.S. Cl.**
USPC **D4/116**

(58) **Field of Classification Search**

USPC D4/104–106, 108, 110, 112, 116–118,
D4/127, 128, 130, 132, 134; D28/7, 10,
D28/21, 25, 30

CPC .. A46B 3/005; A46B 5/00; A46B 5/02; A46B
5/021; A46B 9/02; A46B 9/021; A46B
9/023; A46B 13/001; A46B 13/008; A46B
15/0055; A46B 15/0081; A46B 15/0087;
A46B 17/02; A46B 2200/30; A46B
2200/104; A46B 2200/106; A46B
2200/202; A46B 2200/205; A46B
2200/207; A46B 2200/304; A46B
2200/1006; A46B 2200/1046; A46B
2200/1053; A46B 2200/3006; A46B
2200/3033; A46B 2200/3093; A45D
24/10; A45D 24/14; A45D 24/16; H01L
21/67046

See application file for complete search history.

(56) **References Cited**

U.S. PATENT DOCUMENTS

58,417 A * 10/1866 Hickcox A45D 34/045
401/127
772,382 A * 10/1904 Sexton A45D 40/265
401/129

816,481 A 3/1906 Lane
822,235 A 6/1908 Bailey
1,886,651 A 11/1932 De George
1,993,837 A 3/1935 Greene
2,561,252 A 7/1951 Waring
D288,988 S * 3/1987 Fomby A46B 11/0013
D4/135
5,547,303 A * 8/1996 Pyrozyk A46B 11/0013
401/183
D400,358 S 11/1998 Zemel
6,190,075 B1 * 2/2001 Lewis A46B 11/0006
401/126
D456,142 S 4/2002 Szeto et al.
6,457,894 B1 * 10/2002 Miles A46B 11/0013
401/282

(Continued)

Primary Examiner — Sheryl Lane

Assistant Examiner — Calvin E Vansant

(57) **CLAIM**

The ornamental design for a container with integrated brush applicator, as shown and described.

DESCRIPTION

FIG. 1 is a front view of a container with integrated brush applicator showing my new design, a rear view being a mirror image thereof;

FIG. 2 is a left side view of the container with integrated brush applicator, a right side view being a mirror image thereof;

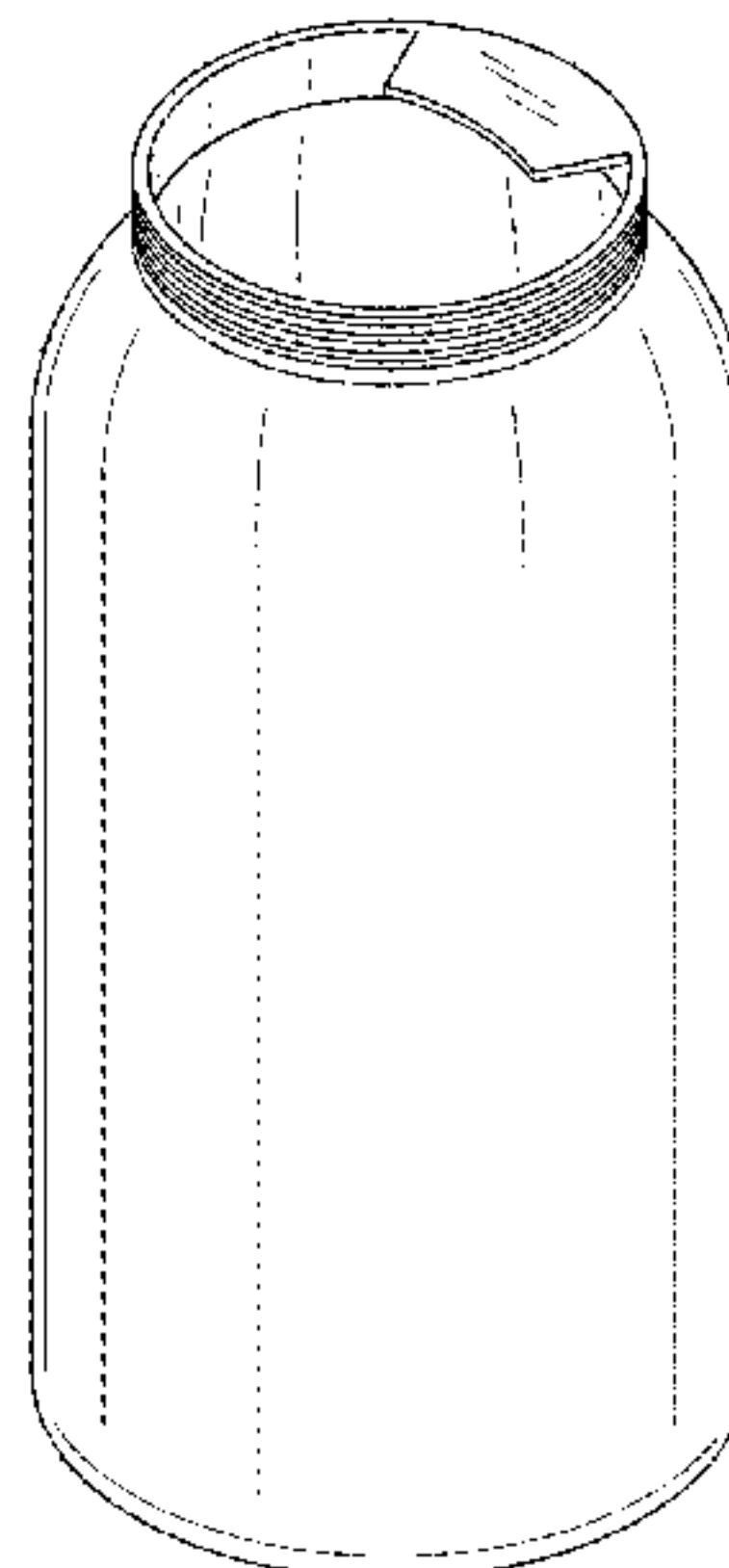
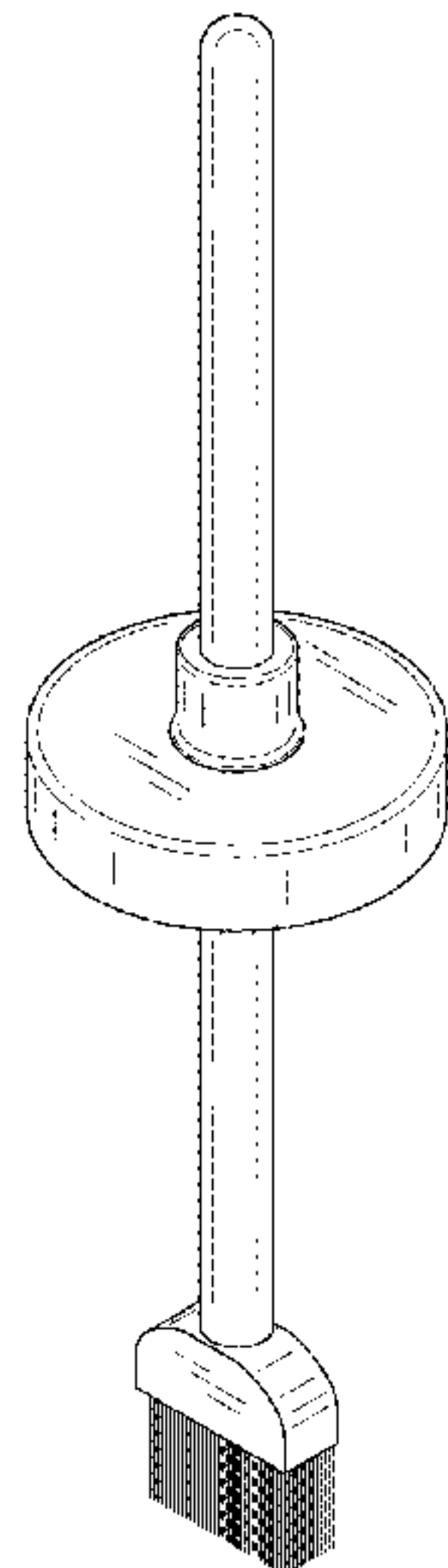
FIG. 3 is a top view of the container with integrated brush applicator;

FIG. 4 is a bottom view of the container with integrated brush applicator;

FIG. 5 is a top front side perspective view of the container with integrated brush applicator; and,

FIG. 6 is a bottom front side perspective view of the container with integrated brush applicator, a bottom rear side perspective view being a mirror image thereof.

1 Claim, 6 Drawing Sheets



(56)

References Cited

U.S. PATENT DOCUMENTS

D511,896 S * 11/2005 Wu A45D 40/265
D4/114
D544,714 S * 6/2007 Zemel A45D 34/045
D4/114
8,262,307 B1 9/2012 Cross

* cited by examiner

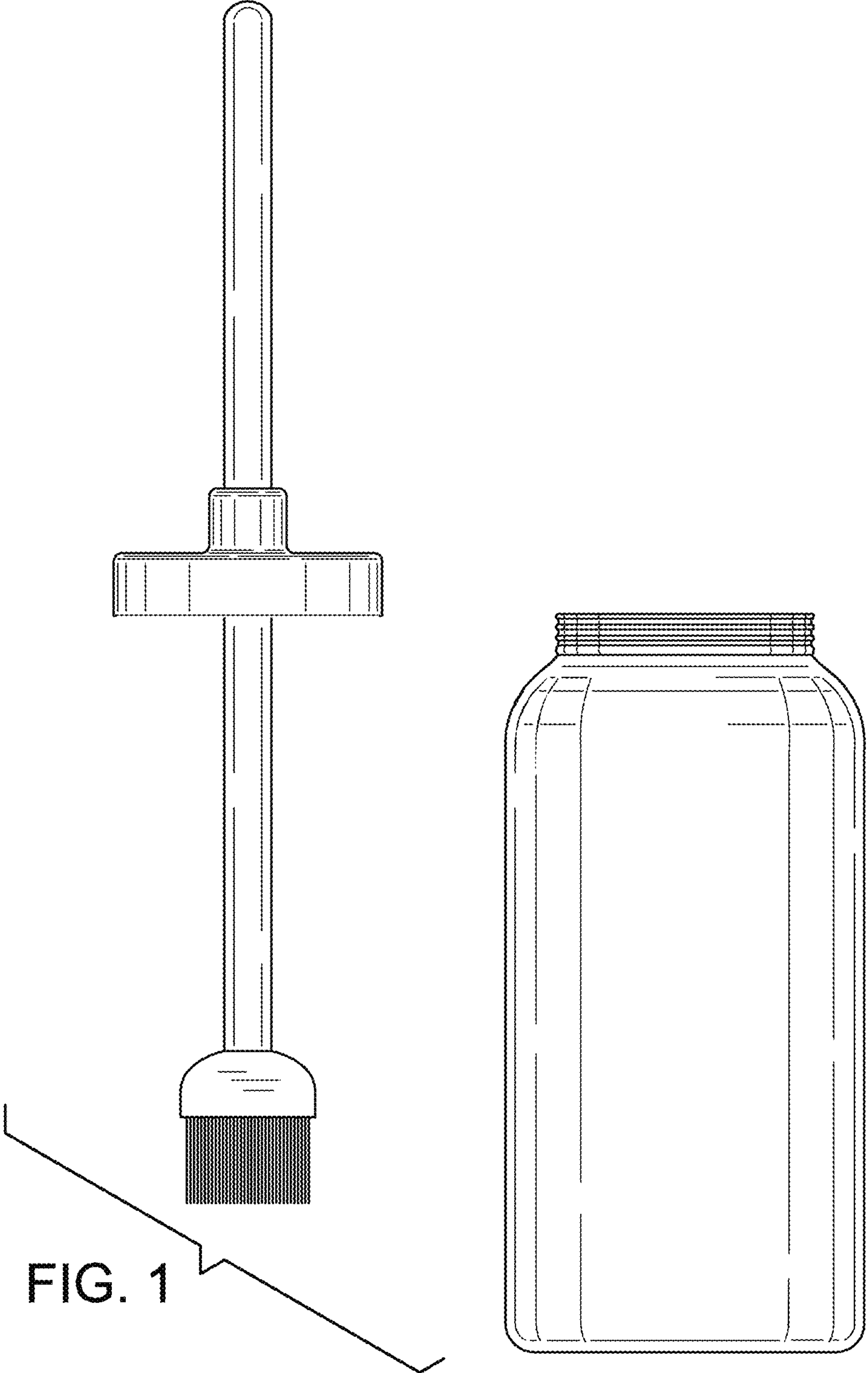


FIG. 1

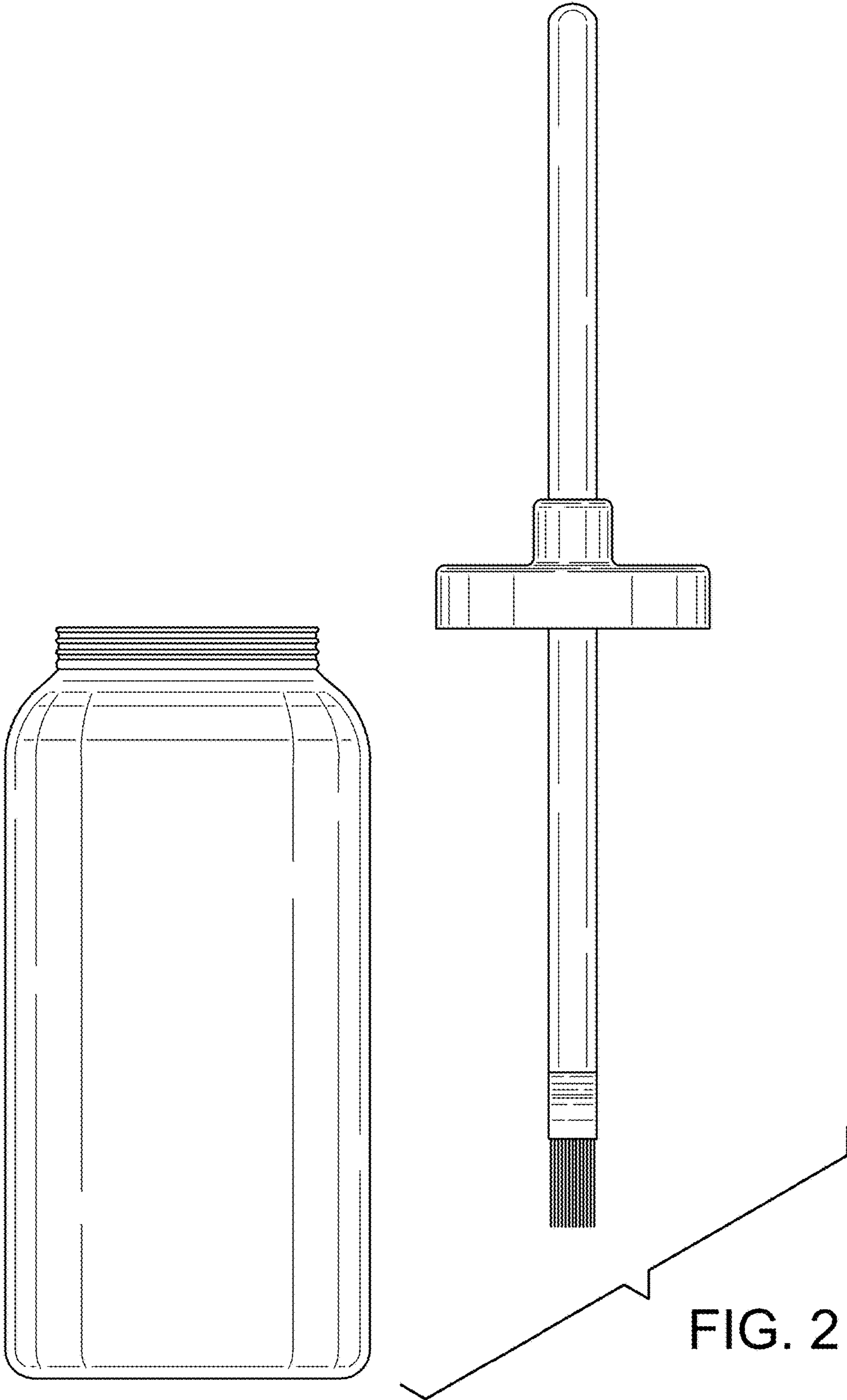
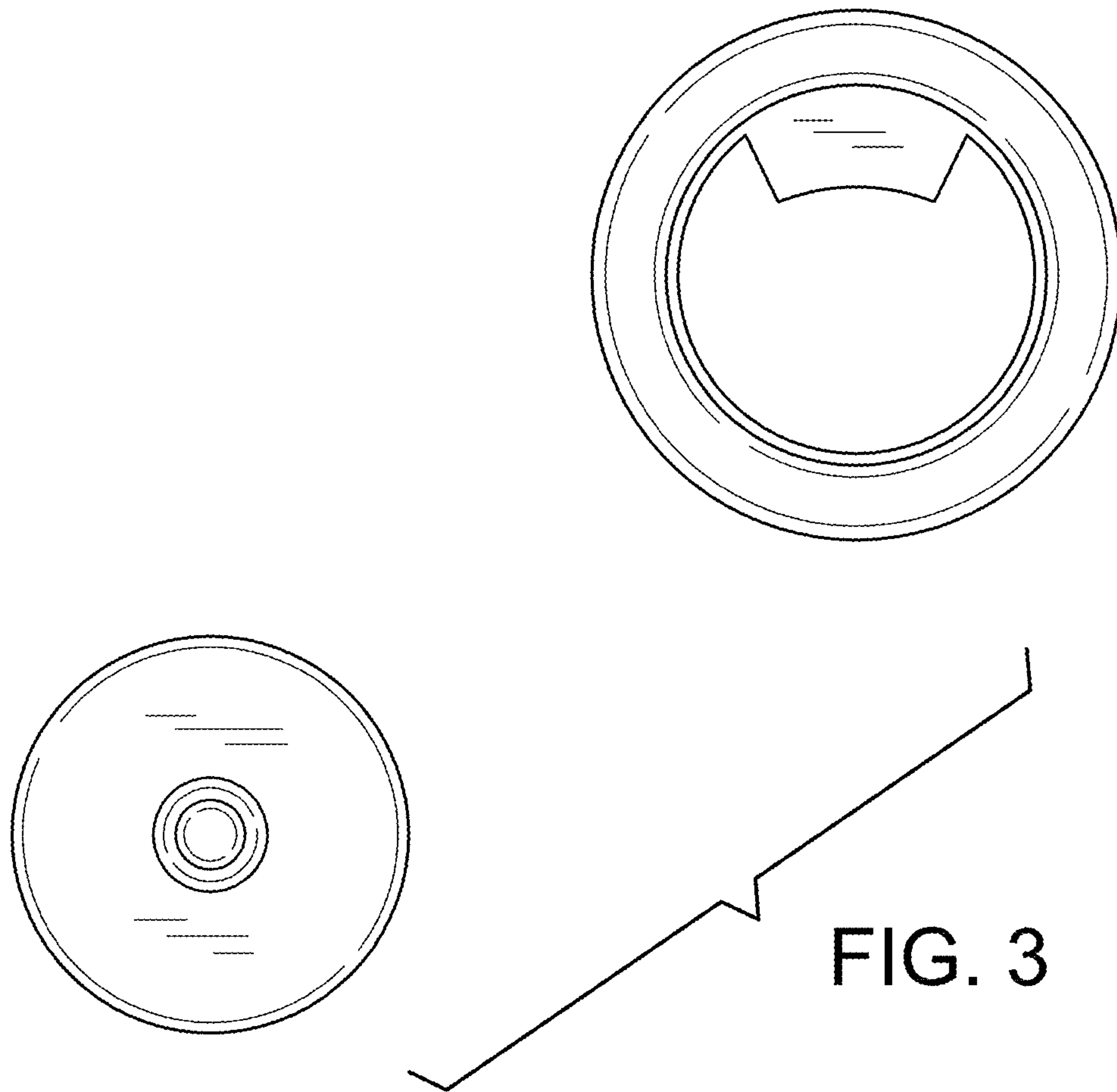


FIG. 2



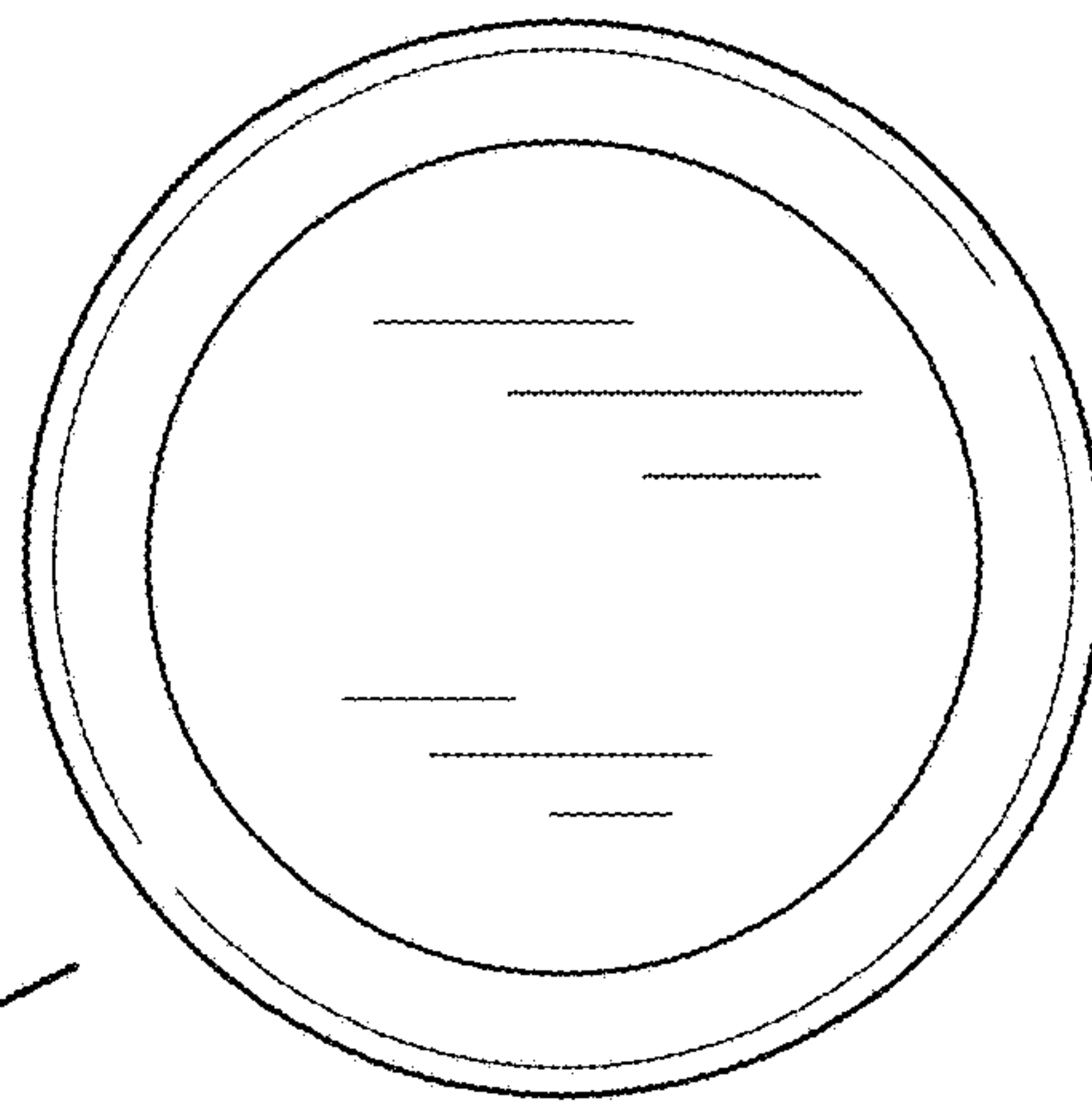
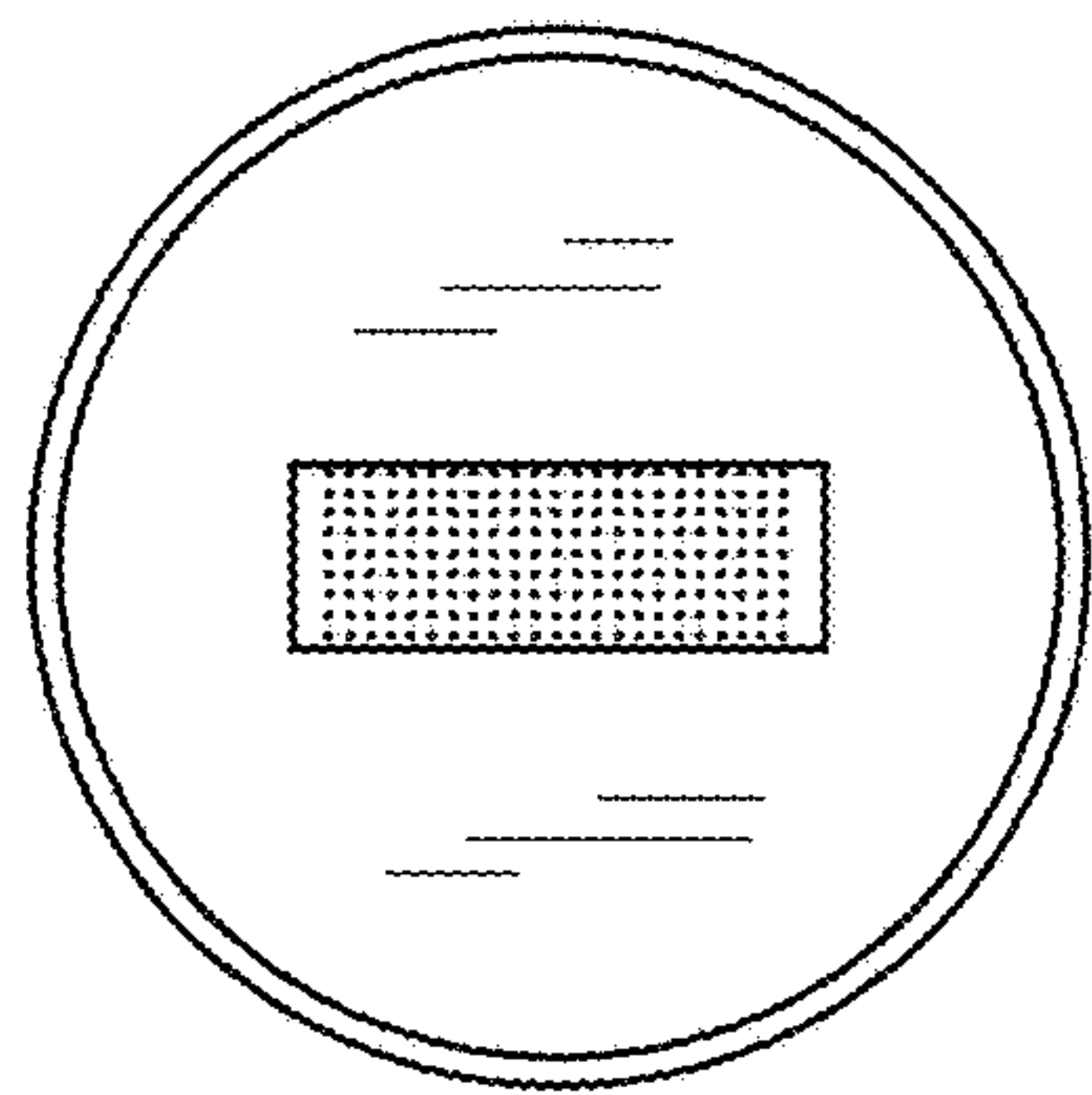


FIG. 4

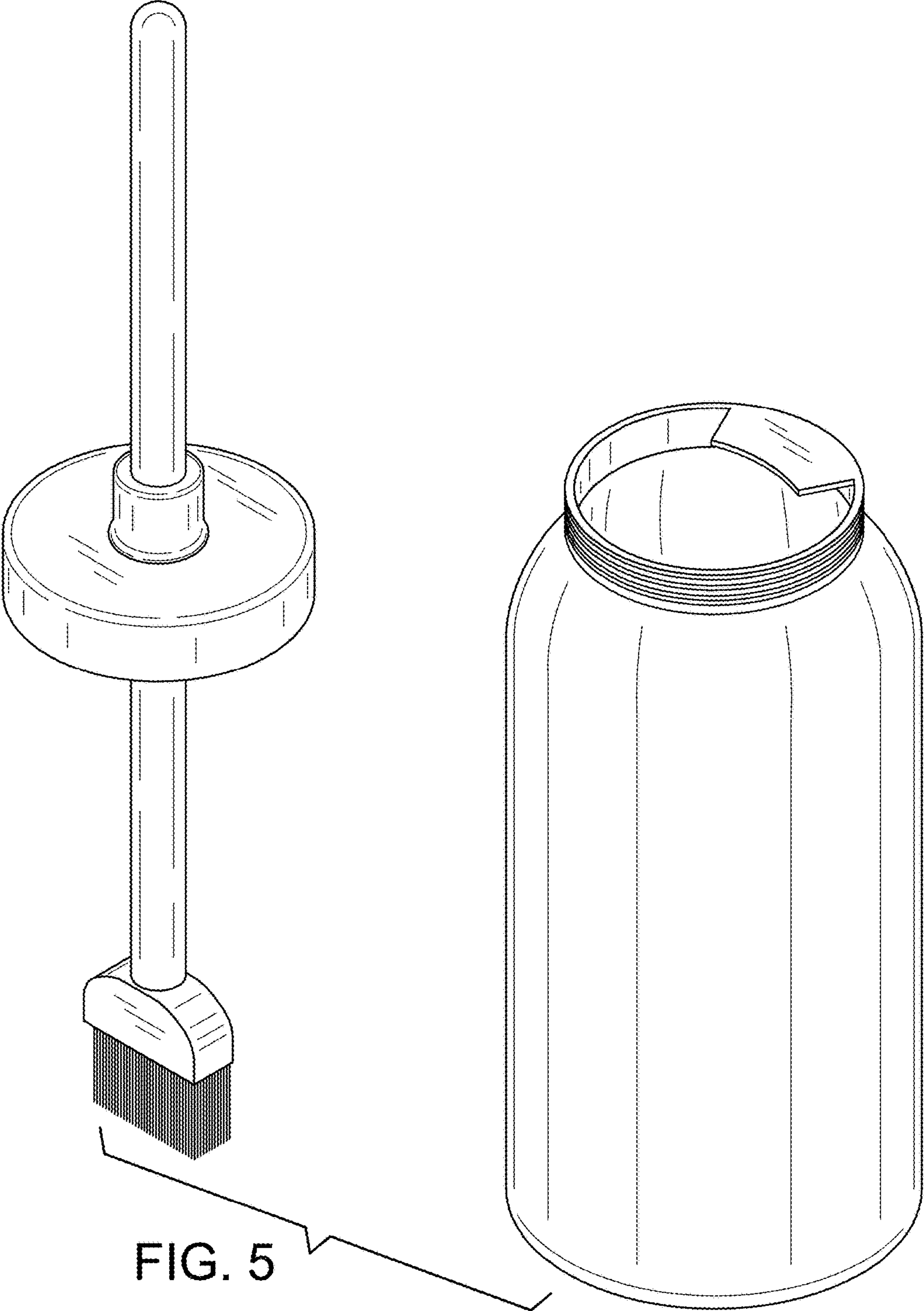


FIG. 5

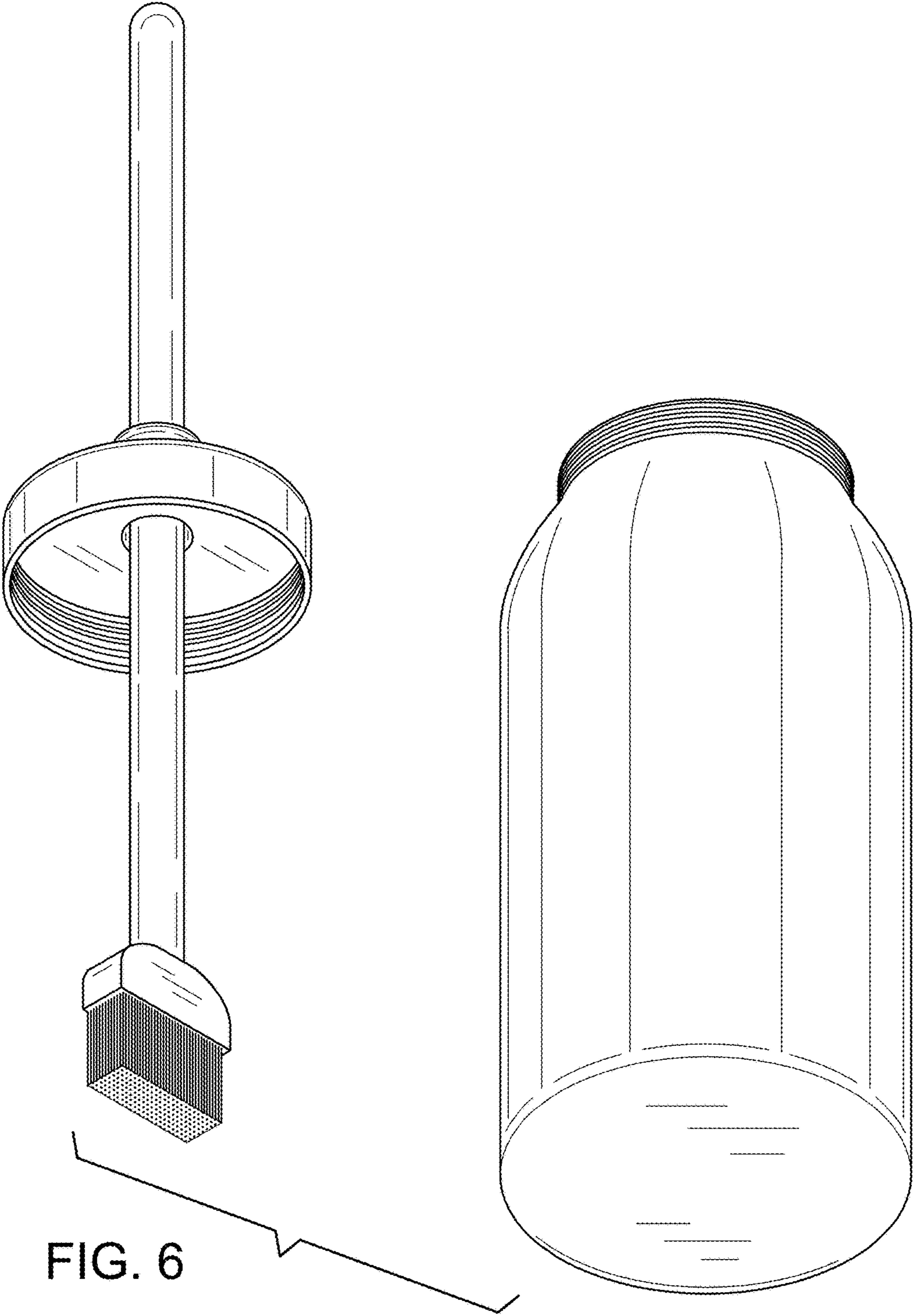


FIG. 6