

US00D866980S

(12) **United States Design Patent** (10) **Patent No.:** **US D866,980 S**  
**Manhas** (45) **Date of Patent:** **\*\* Nov. 19, 2019**

(54) **TOOTHBRUSH**  
(71) Applicant: **Bruush Oral Care Inc.**, Richmond (CA)  
(72) Inventor: **Aneil Manhas**, Richmond (CA)  
(73) Assignee: **Bruush Oral Care Inc.**, Richmond, BC (CA)  
(\*\*) Term: **15 Years**  
(21) Appl. No.: **29/649,192**  
(22) Filed: **May 28, 2018**

(30) **Foreign Application Priority Data**  
Feb. 22, 2018 (CA) ..... 179801  
(51) **LOC (12) Cl.** ..... **04-02**  
(52) **U.S. Cl.**  
USPC ..... **D4/101**  
(58) **Field of Classification Search**  
USPC ..... D4/100, 101, 102, 107, 108, 109, 110, D4/111, 114, 116, 121, 125, 127, 128, D4/130, 132, 133, 134, 138, 199  
See application file for complete search history.

(56) **References Cited**  
**U.S. PATENT DOCUMENTS**  
D220,239 S \* 3/1971 Rams et al. .... D4/101  
D385,702 S \* 11/1997 Okada ..... D4/101  
D476,156 S \* 6/2003 Ferber ..... D4/101  
D492,116 S \* 6/2004 Nanda ..... D4/101  
D569,623 S 5/2008 Beedham  
D580,173 S 11/2008 Beedham

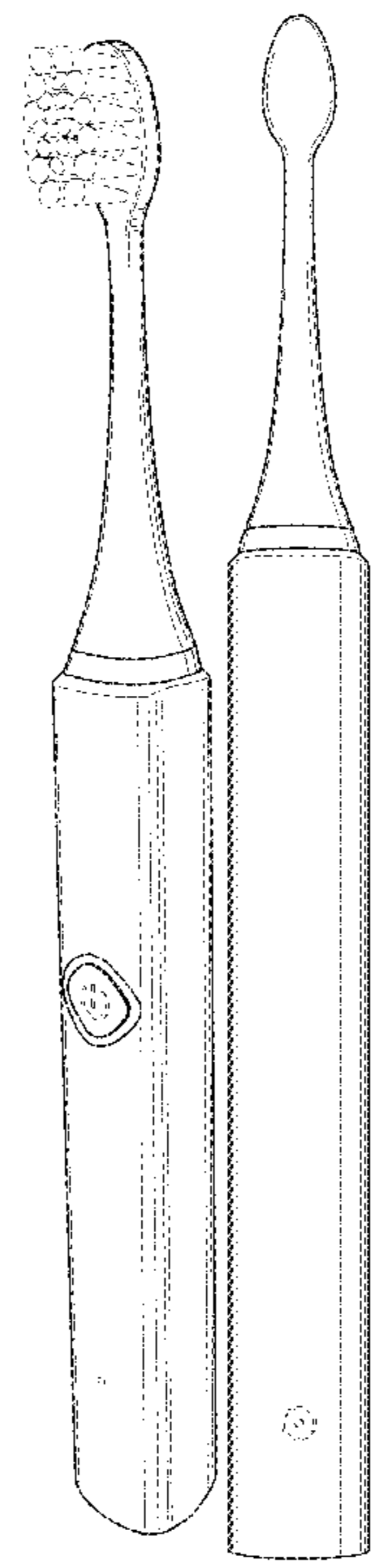
D636,604 S \* 4/2011 Zhuan ..... D4/101  
D696,024 S \* 12/2013 Shigeno ..... D4/101  
D696,517 S 12/2013 Gebski  
D702,946 S 4/2014 Shigeno et al.  
D749,853 S 2/2016 Cessot  
D758,736 S \* 6/2016 Shigeno ..... D4/101  
D780,456 S \* 3/2017 Shigeno ..... D4/101  
D819,974 S \* 6/2018 Johansson ..... D4/101  
D824,677 S \* 8/2018 Tseng ..... D4/101  
D834,323 S \* 11/2018 Sohn ..... D4/101  
D850,112 S \* 6/2019 Wang ..... D4/101  
D853,730 S \* 7/2019 Zhou ..... D4/101  
2014/0310900 A1\* 10/2014 Curry ..... A46B 9/04 15/167.1  
2017/0151044 A1\* 6/2017 Okai ..... A61C 17/222

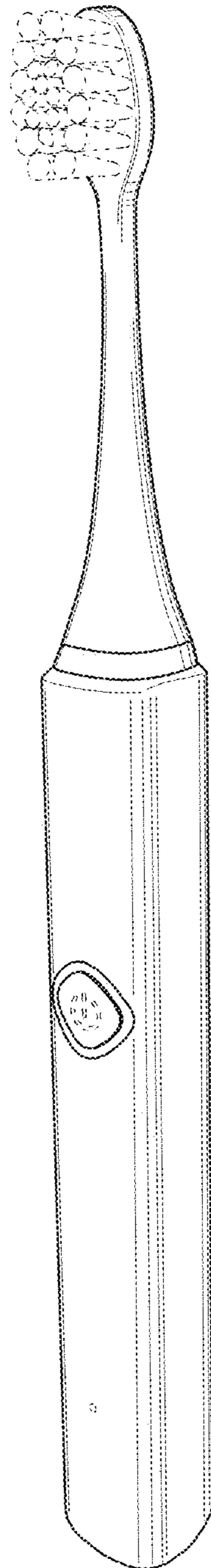
\* cited by examiner  
*Primary Examiner* — Karen E Eldridge Powers  
(74) *Attorney, Agent, or Firm* — Cameron IP

(57) **CLAIM**  
The ornamental design for a toothbrush, as shown and described.

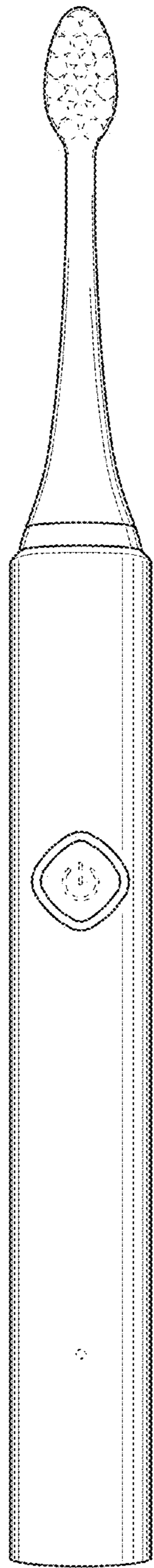
**DESCRIPTION**  
FIG. 1 is a front perspective view of my design;  
FIG. 2 is a front elevational view thereof;  
FIG. 3 is a rear elevational view thereof;  
FIG. 4 is a side elevational view thereof;  
FIG. 5 is a side elevational view from the side opposite to that of FIG. 4;  
FIG. 6 is a top plan view thereof; and,  
FIG. 7 is a bottom plan view thereof.  
The broken lines shown in the figures represent portions of the toothbrush that form no part of the claimed design.

**1 Claim, 4 Drawing Sheets**

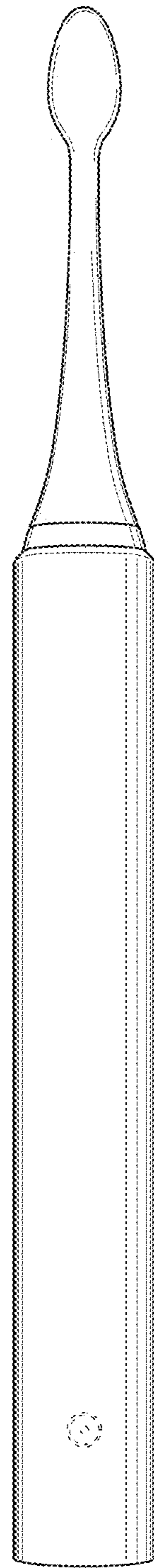




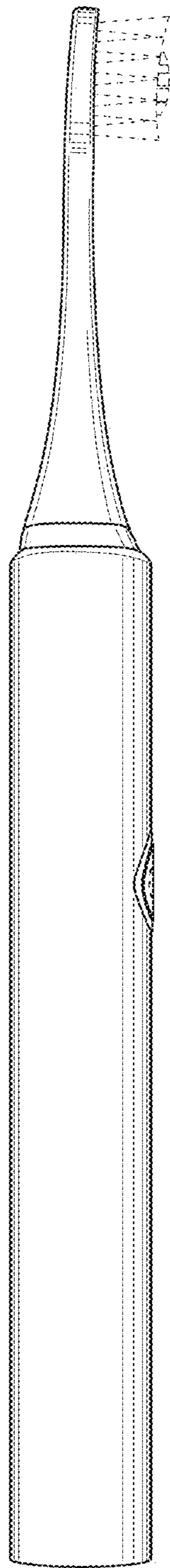
**FIG. 1**



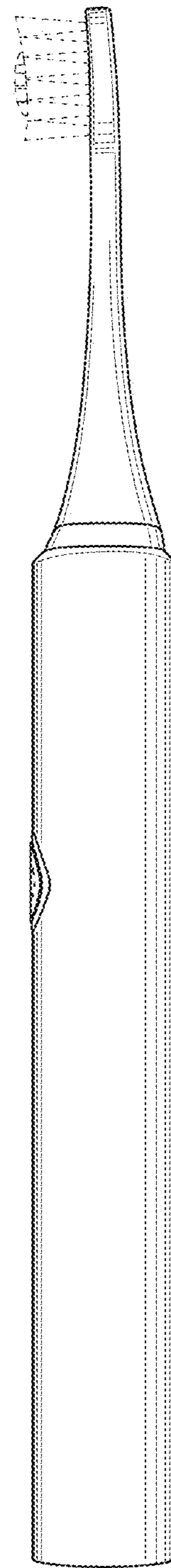
**FIG. 2**



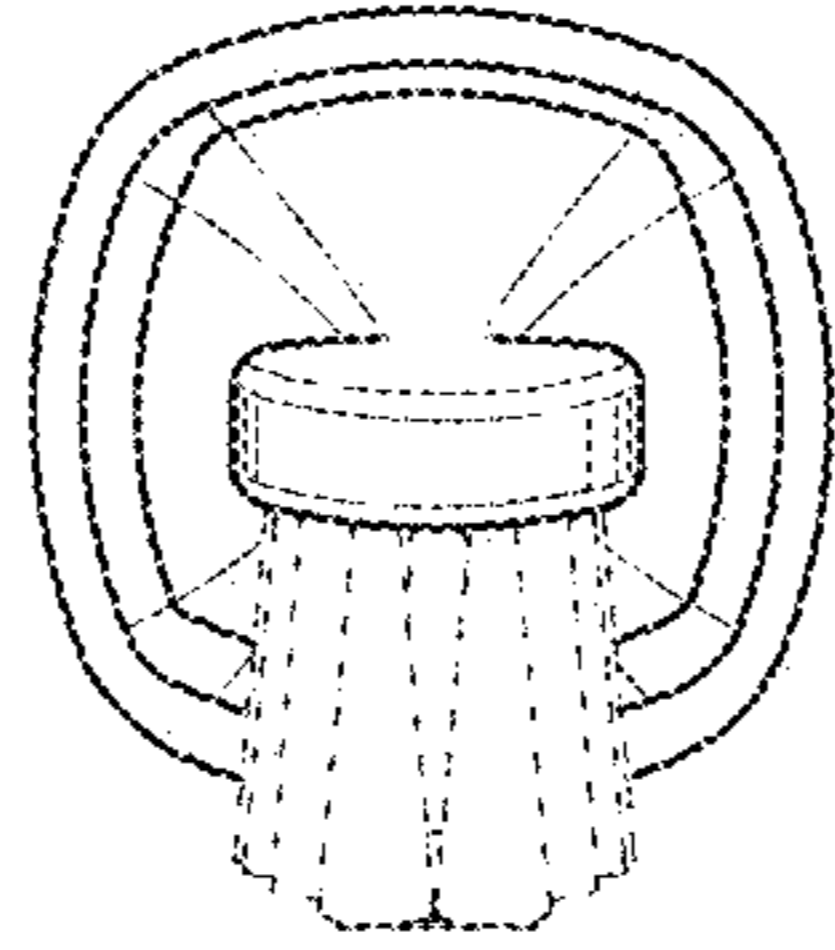
**FIG. 3**



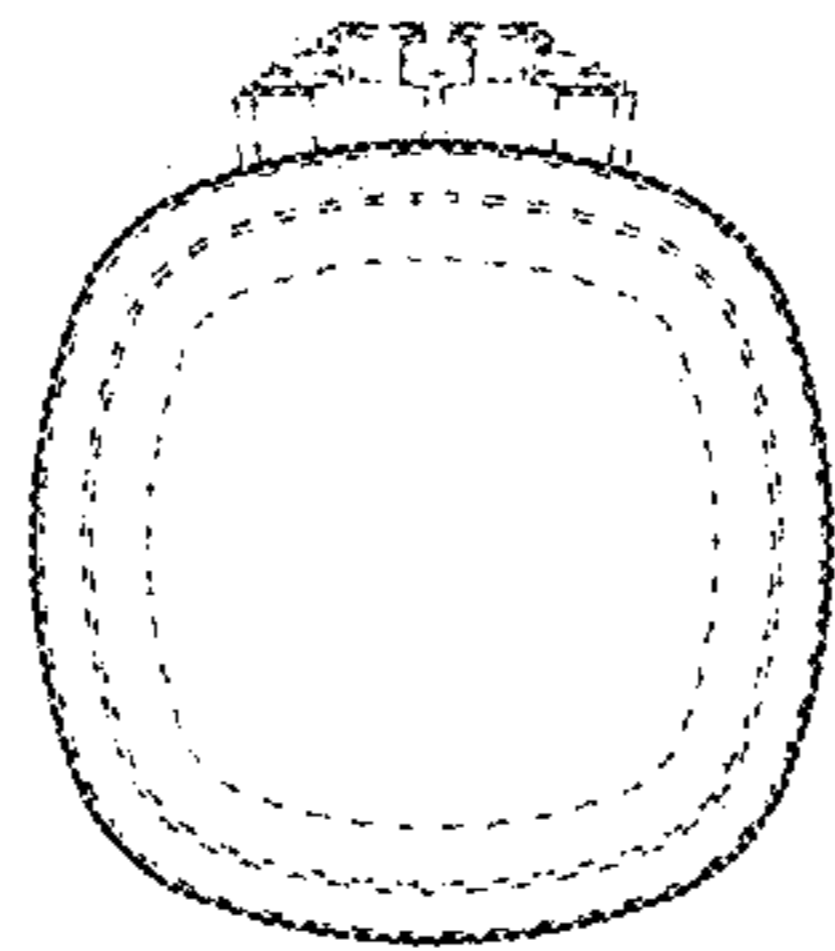
**FIG. 4**



**FIG. 5**



**FIG. 6**



**FIG. 7**