

US00D866979S

(12) **United States Design Patent** (10) **Patent No.:** **US D866,979 S**
Lee et al. (45) **Date of Patent:** **** Nov. 19, 2019**

(54) **METAL GUARD SET FOR ELECTRONIC DEVICE CASE**

(71) Applicant: **elago CO. LTD**, Goyang-si, Gyeonggi-do (KR)

(72) Inventors: **Chanwoo Lee**, Goyang-si (KR); **Chong Min Kim**, Seoul (KR)

(73) Assignee: **elago CO. LTD**, Goyang-si, Gyeonggi-Do (KR)

(**) Term: **15 Years**

(21) Appl. No.: **29/687,848**

(22) Filed: **Apr. 16, 2019**

(51) **LOC (12) Cl.** **03-01**

(52) **U.S. Cl.**
USPC **D3/318**

(58) **Field of Classification Search**
USPC D3/318, 201; D14/223; D13/108
See application file for complete search history.

(56) **References Cited**

U.S. PATENT DOCUMENTS

| | | | |
|--------------|---------|-----------------|---------|
| D772,572 S | 11/2016 | Palmborg et al. | |
| D806,388 S * | 1/2018 | Akana | D3/294 |
| D821,970 S * | 7/2018 | Loermann | D13/107 |
| D826,152 S | 8/2018 | Christiansen | |
| D841,581 S | 2/2019 | Bonahoom et al. | |
| D843,721 S | 3/2019 | Yuan | |
| D844,969 S | 4/2019 | Xiao | |
| D849,401 S | 5/2019 | Akana et al. | |

FOREIGN PATENT DOCUMENTS

| | | |
|----|-----------|---------|
| CN | 304829426 | 9/2018 |
| CN | 304848243 | 10/2018 |
| CN | 305092496 | 4/2019 |
| CN | 305103798 | 4/2019 |

| | | |
|----|---------------|--------|
| CN | 305119729 | 4/2019 |
| CN | 305144267 | 5/2019 |
| CN | 305172424 | 5/2019 |
| CN | 305221838 | 6/2019 |
| CN | 305227304 | 6/2019 |
| CN | 305231369 | 6/2019 |
| CN | 305260255 | 7/2019 |
| EM | 003784313-000 | 6/2017 |
| EM | 006365730-000 | 4/2019 |
| EM | 006598868-000 | 7/2019 |

* cited by examiner

Primary Examiner — Holly H Baynham

(74) *Attorney, Agent, or Firm* — Paratus Law Group, PLLC

(57) **CLAIM**

The ornamental design for a metal guard set for electronic device case, as shown and described.

DESCRIPTION

FIG. 1 is a front, top and right perspective view of metal guard set for electronic device case showing claimed design; FIG. 2 is a front view thereof and a back view thereof is a mirror image; FIG. 3 is a left side view thereof and a right view thereof is a mirror image; FIG. 4 is a top view thereof; FIG. 5 is a bottom view thereof; FIG. 6 is a first reference view thereof, which shows the claimed design before being attached to an electronic device case; FIG. 7 is a second reference view thereof, which shows the claimed design being attached to the electronic device case; and, FIG. 8 is a third reference view thereof, which shows the claimed design in use. The broken lines shown in FIGS. 6-8 depict environment and form no part of the claimed design.

1 Claim, 6 Drawing Sheets

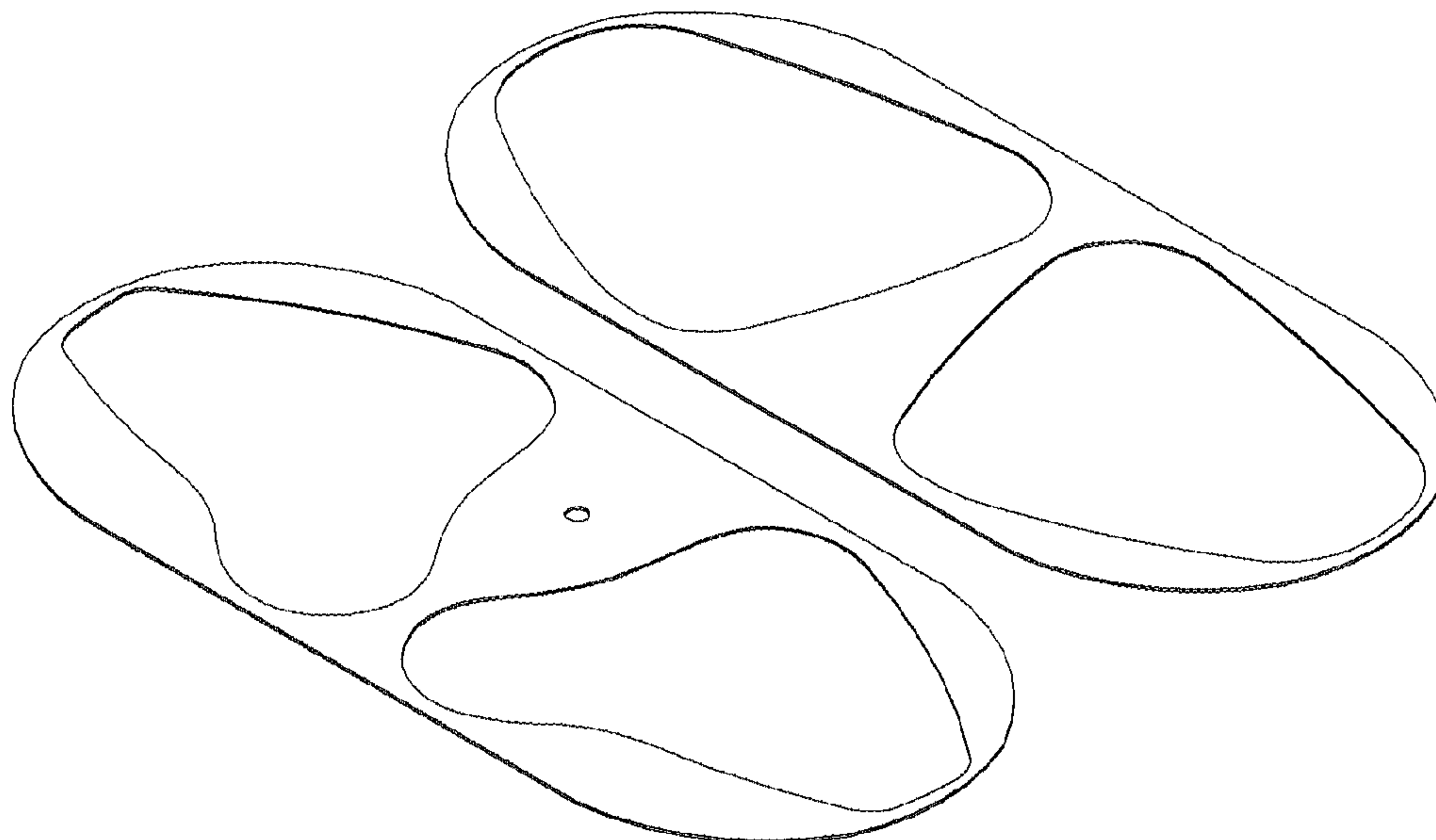


FIG. 1

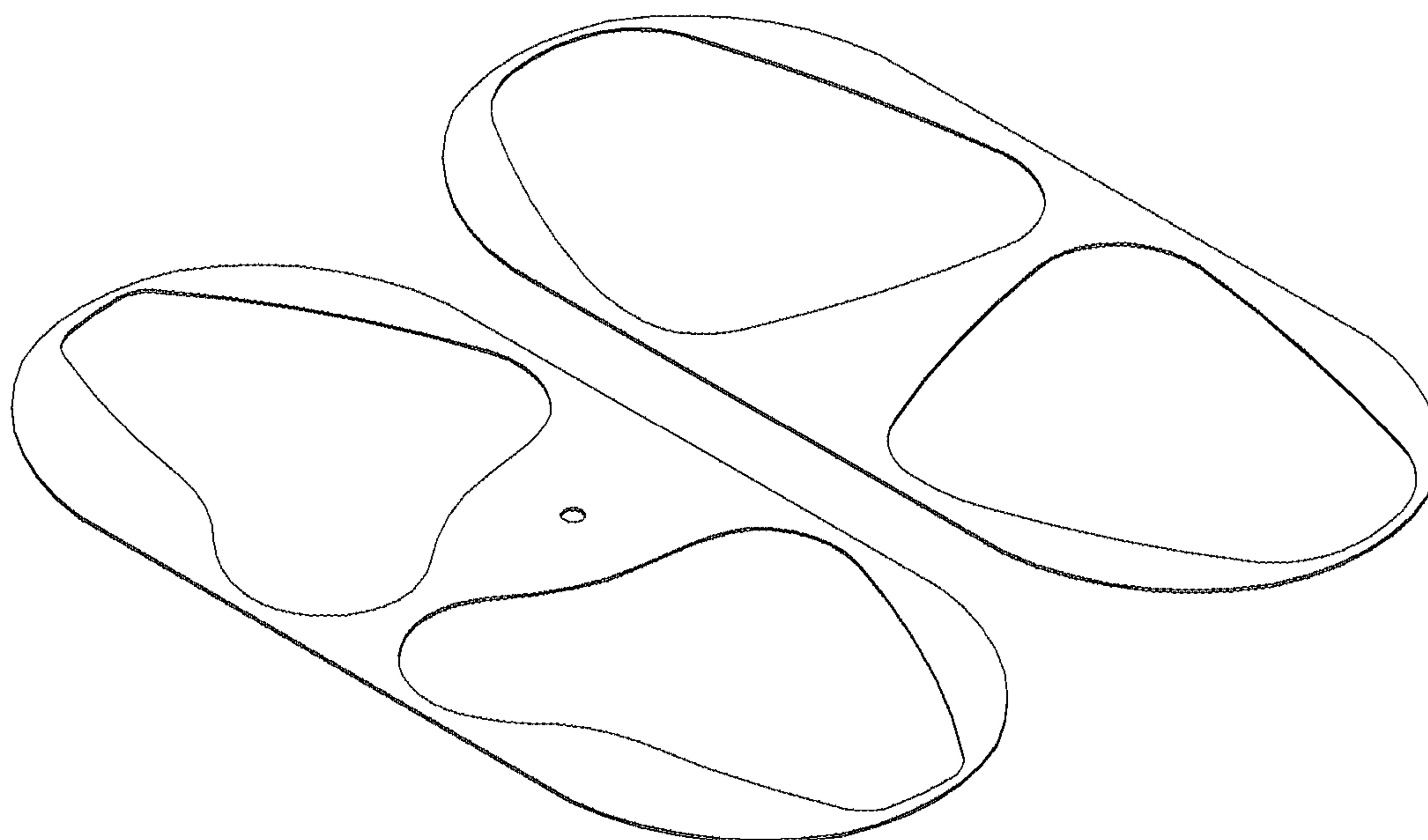


FIG. 2



FIG. 3



FIG. 4

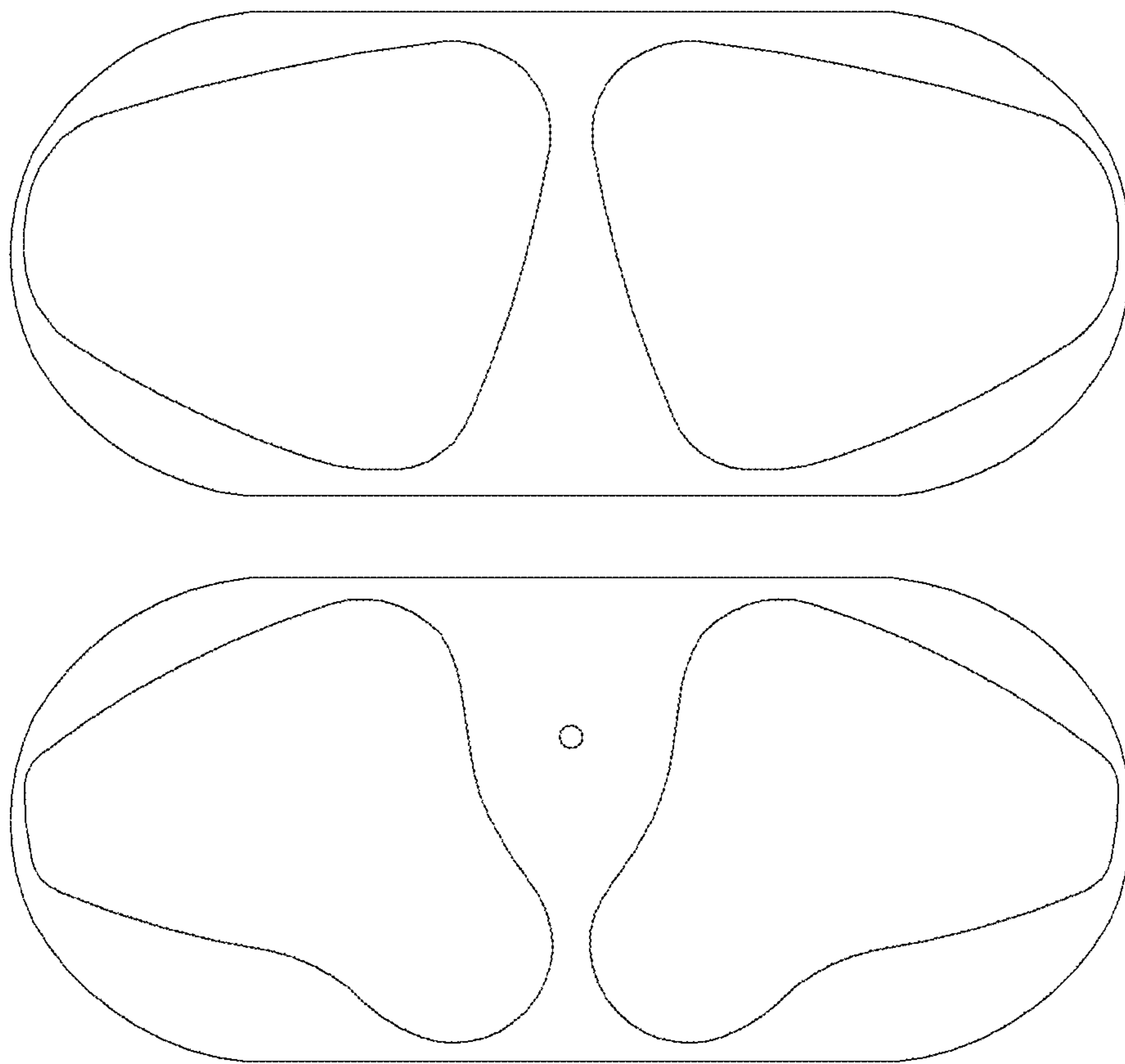


FIG. 5

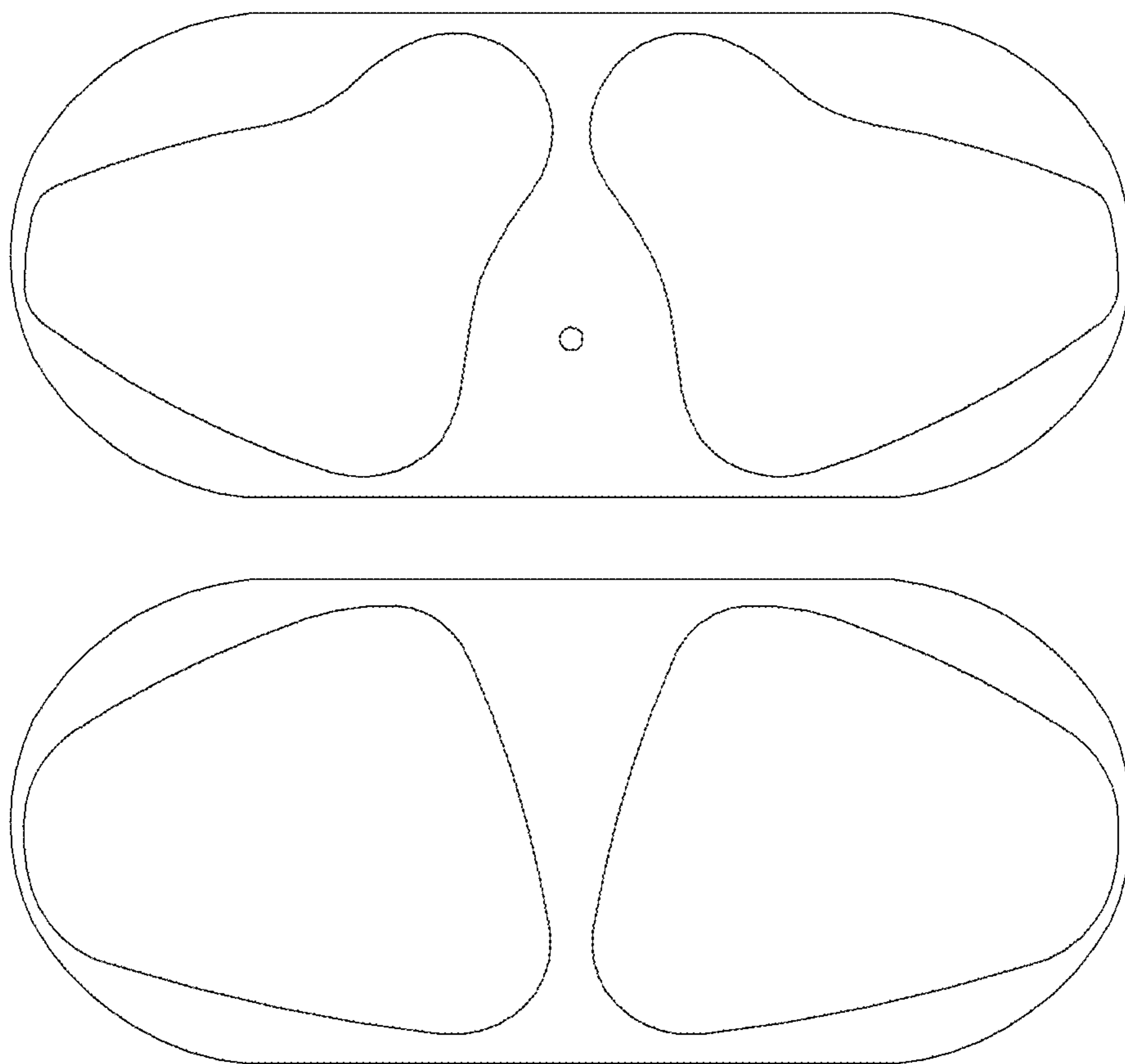


FIG. 6

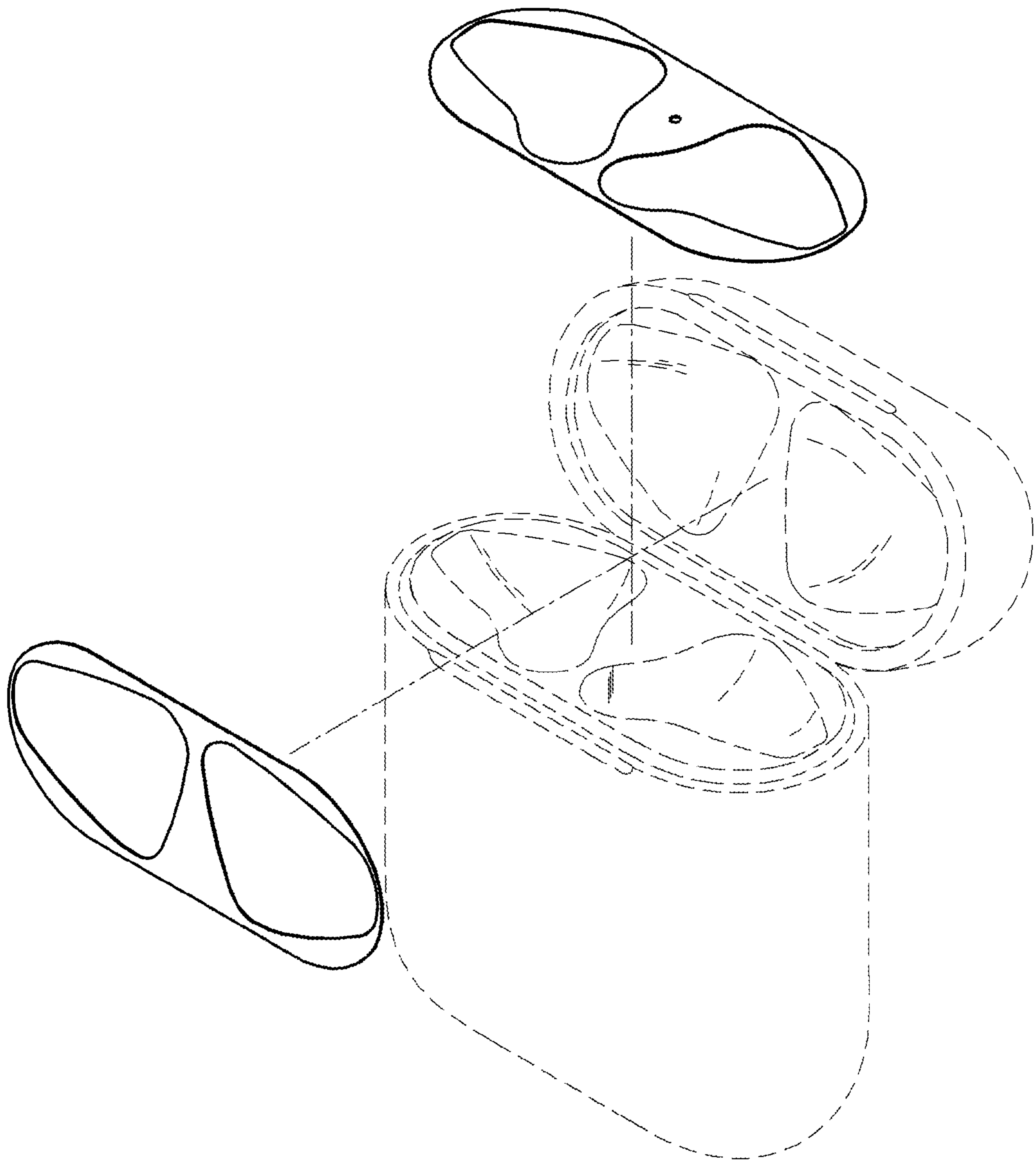


FIG. 7

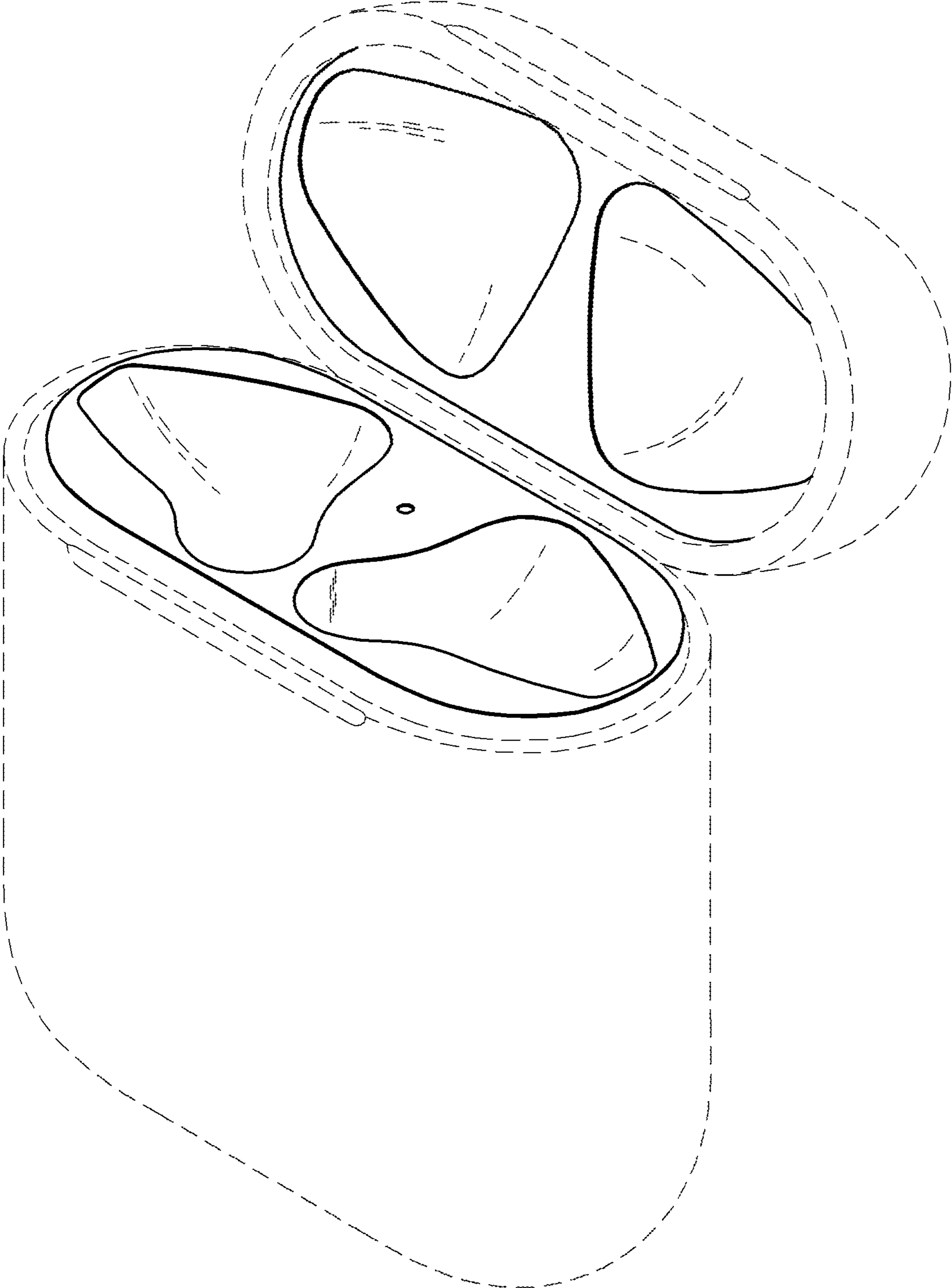


FIG. 8

