



US00D866976S

(12) **United States Design Patent** (10) **Patent No.:** **US D866,976 S**
Levy (45) **Date of Patent:** **** Nov. 19, 2019**

(54) **HANDBAG WITH A STITCHING PATTERN**

D830,690 S * 10/2018 Sassi D3/232
D831,343 S * 10/2018 Sassi D3/232
D833,742 S * 11/2018 Sassi D3/245
D834,310 S * 11/2018 Kirkwood D3/232

(71) Applicant: **Yarch Capital LLC**, Studio City, CA (US)

* cited by examiner

(72) Inventor: **Nissim Serge Levy**, Los Angeles, CA (US)

Primary Examiner — Holly H Baynham

(73) Assignee: **Yarch Capital LLC**, Studio City, CA (US)

(74) *Attorney, Agent, or Firm* — John Alunit

(**) Term: **15 Years**

(57) **CLAIM**

(21) Appl. No.: **29/645,772**

I claim the ornamental design for a handbag with a stitching pattern, as shown and described.

(22) Filed: **Apr. 29, 2018**

DESCRIPTION

(51) **LOC (12) Cl.** **03-01**

FIG. 1 is a perspective view of a handbag with a stitching pattern, according to the new design.

(52) **U.S. Cl.**

FIG. 2 is a front view of the handbag with a stitching pattern, according to the new design.

USPC **D3/318**

(58) **Field of Classification Search**

FIG. 3 is a rear view of the handbag with a stitching pattern, according to the new design.

USPC D3/232–233, 240–243, 245–246, 318

CPC A45C 1/024; A45C 3/06

See application file for complete search history.

FIG. 4 is a right side view of the handbag with a stitching pattern, according to the new design.

(56) **References Cited**

FIG. 5 is a left side view of the handbag with a stitching pattern, according to the new design.

U.S. PATENT DOCUMENTS

D581,158 S *	11/2008	Hermann	D3/232
D665,575 S *	8/2012	Bouskill	D3/232
D675,429 S *	2/2013	Della Valle	D3/243
D767,880 S *	10/2016	Fricano	D3/232
D787,180 S *	5/2017	Maier	D3/243
D806,385 S *	1/2018	Maier	D3/243
D826,553 S *	8/2018	Vaccarello	D3/232
D826,555 S *	8/2018	Sassi	D3/232
D828,022 S *	9/2018	Maier	D3/243

FIG. 6 is a top view of the handbag with a stitching pattern, according to the new design; and,

FIG. 7 a view of the handbag from the bottom, where the stitchings pattern is not visible.

The wider broken lines showing the body of the handbag are for the purposes of illustrating environment and form no part of the claimed design.

1 Claim, 3 Drawing Sheets

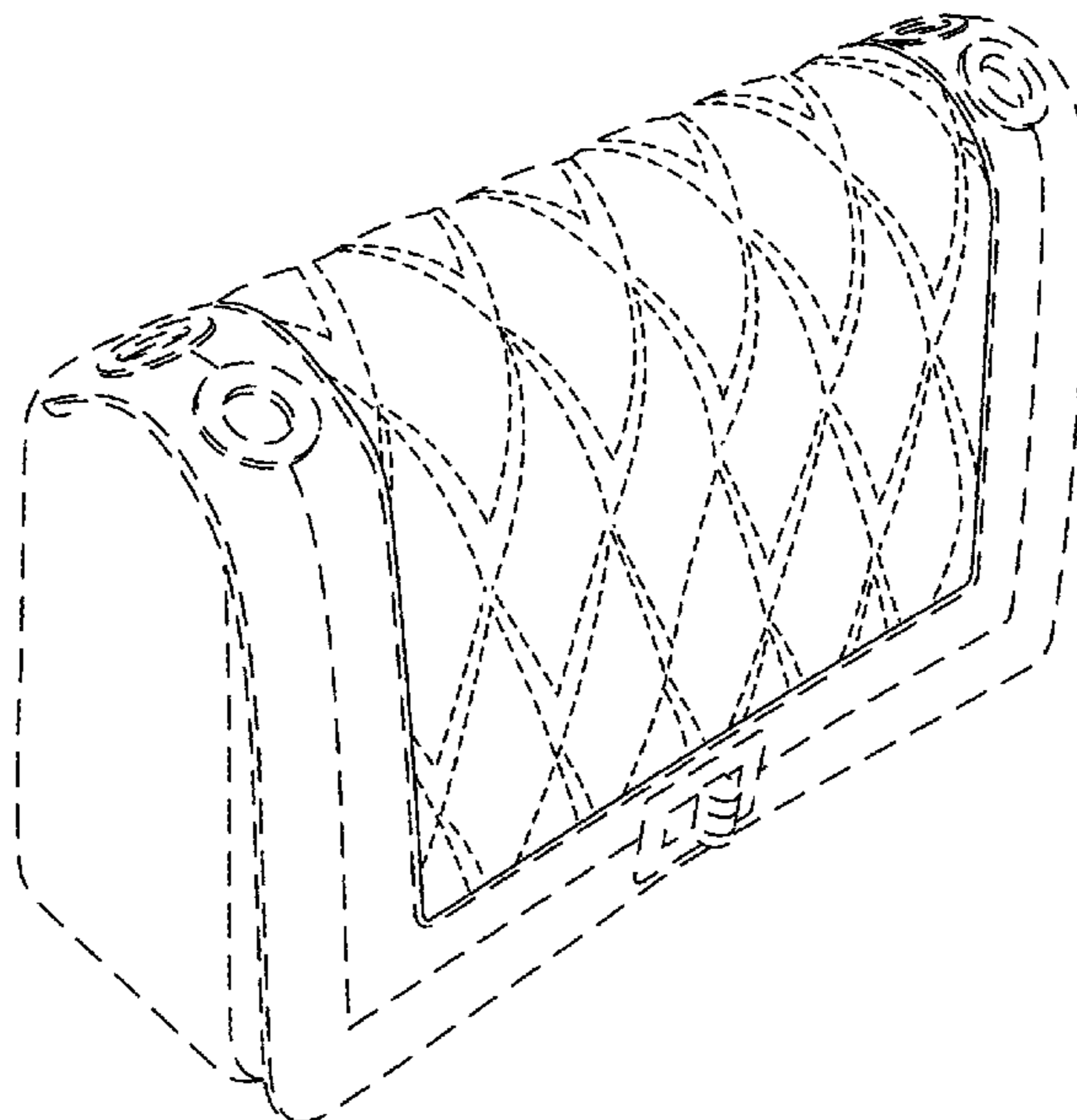


Fig. 1

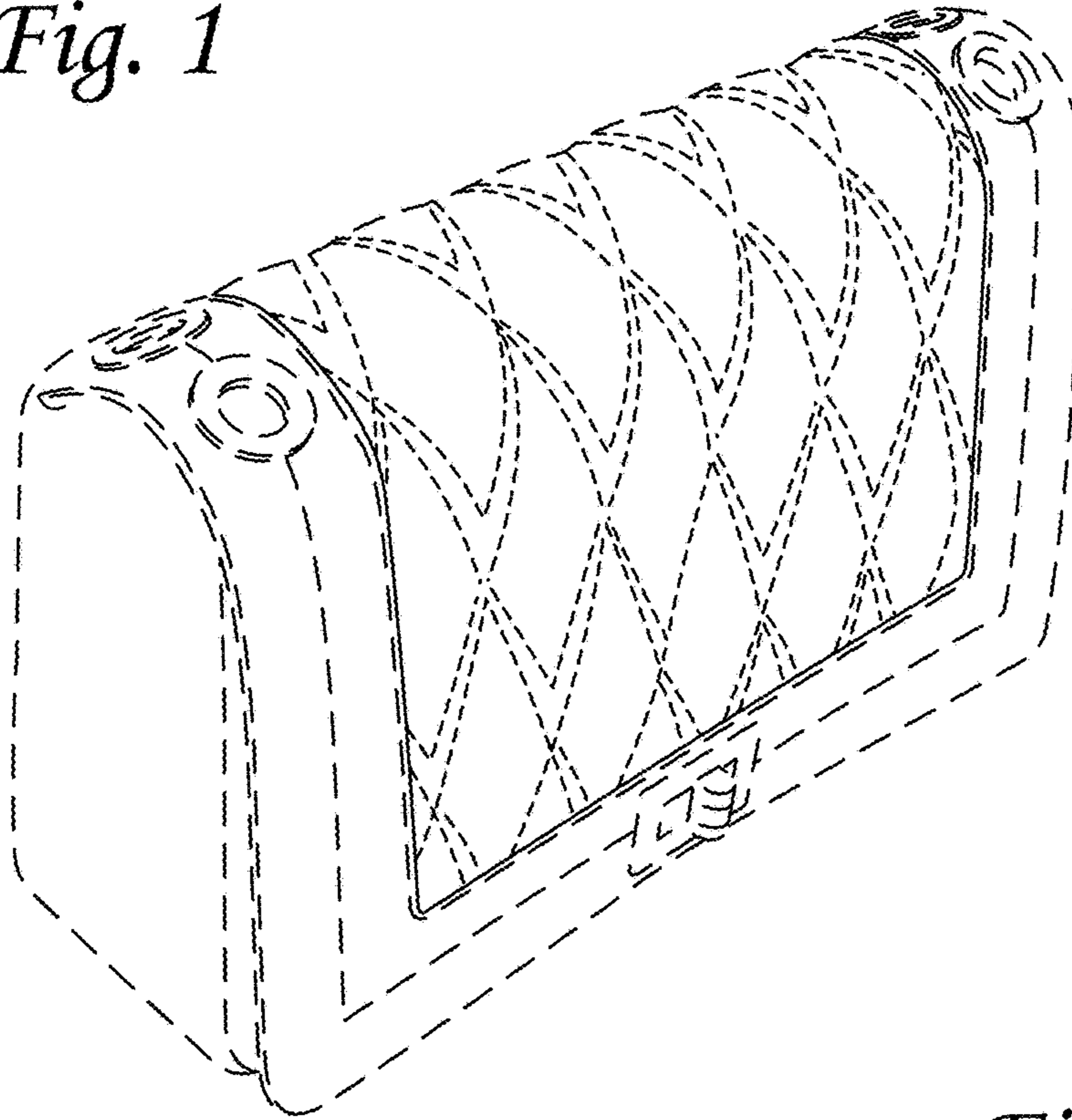
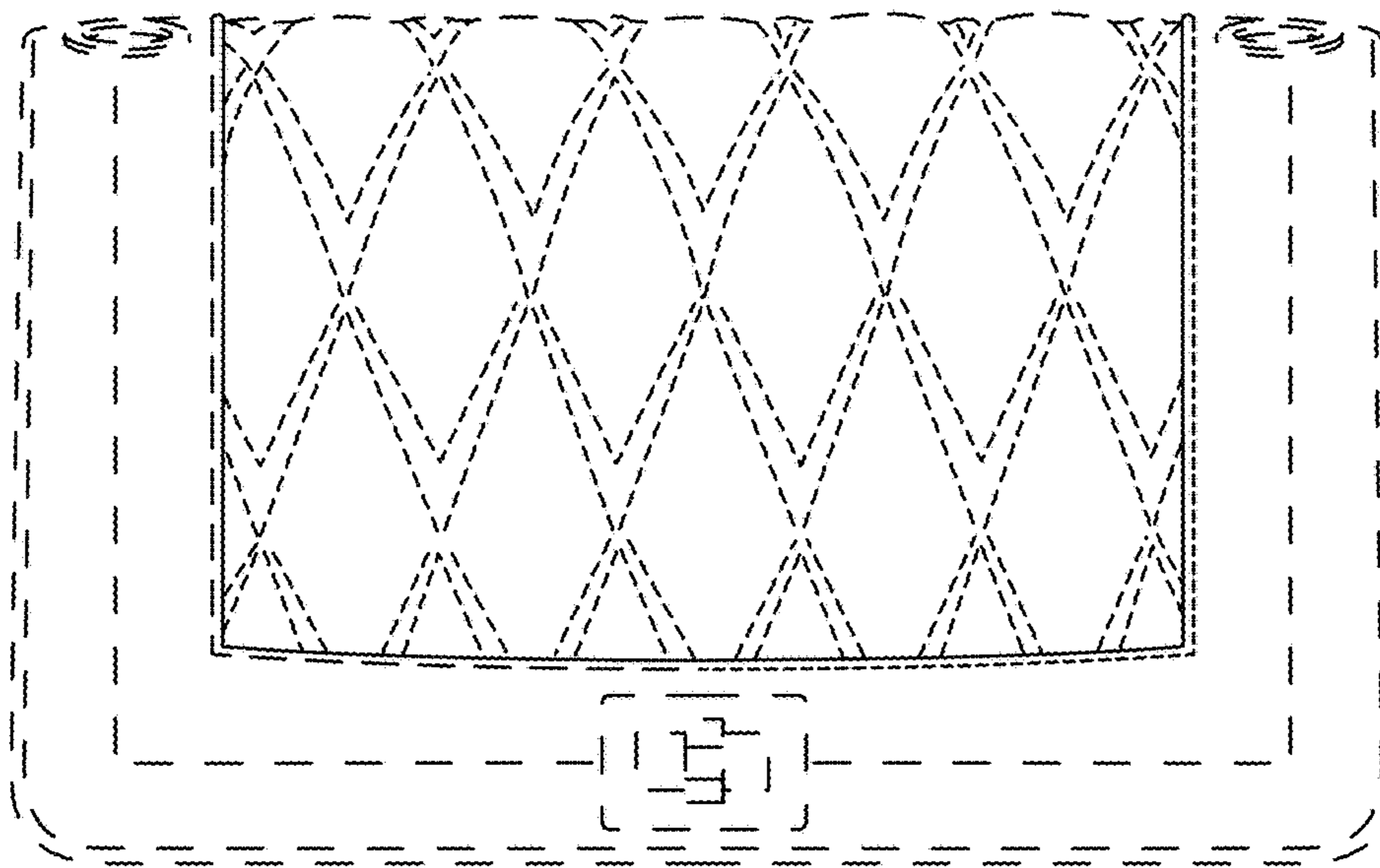


Fig. 2



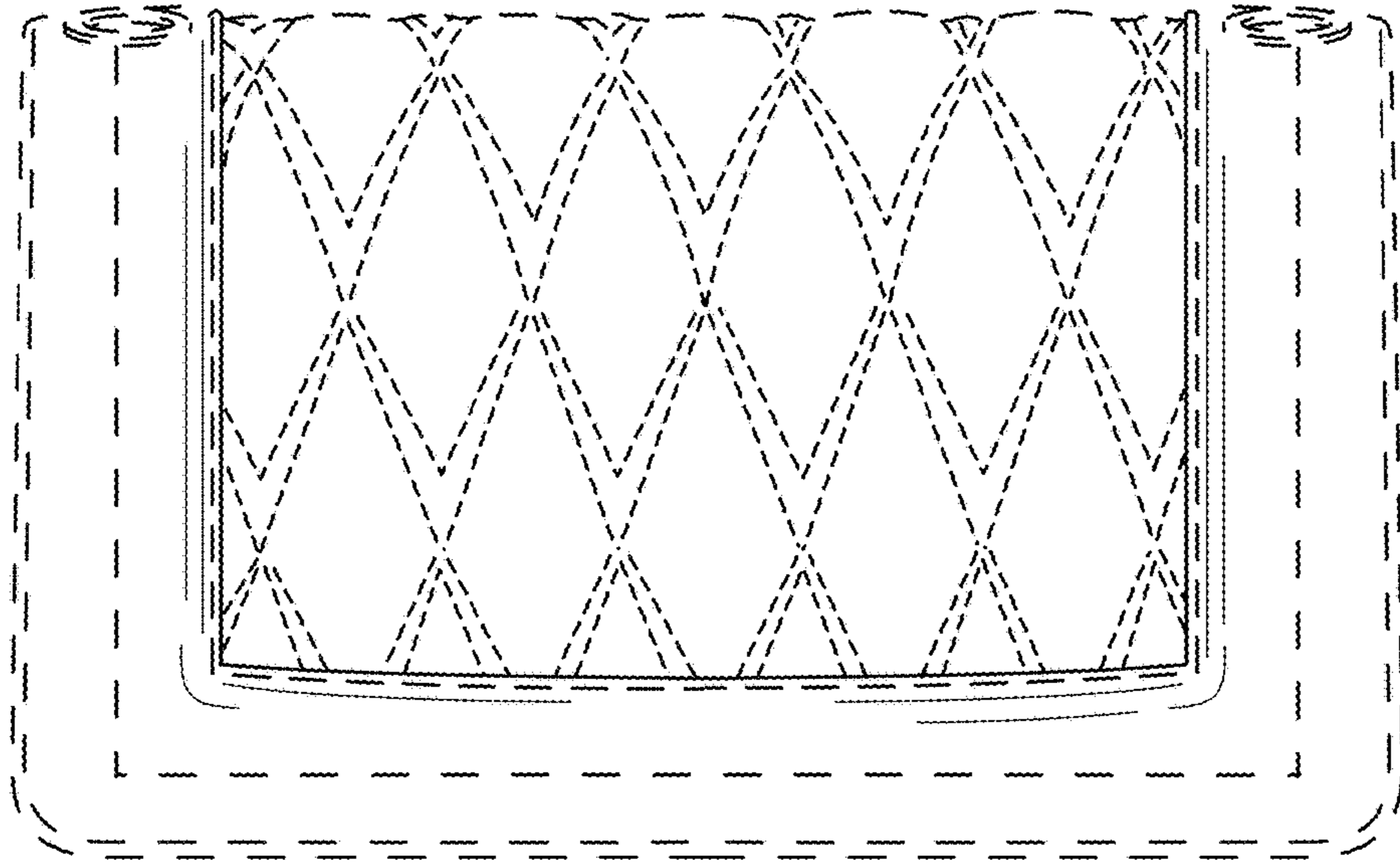


Fig. 3

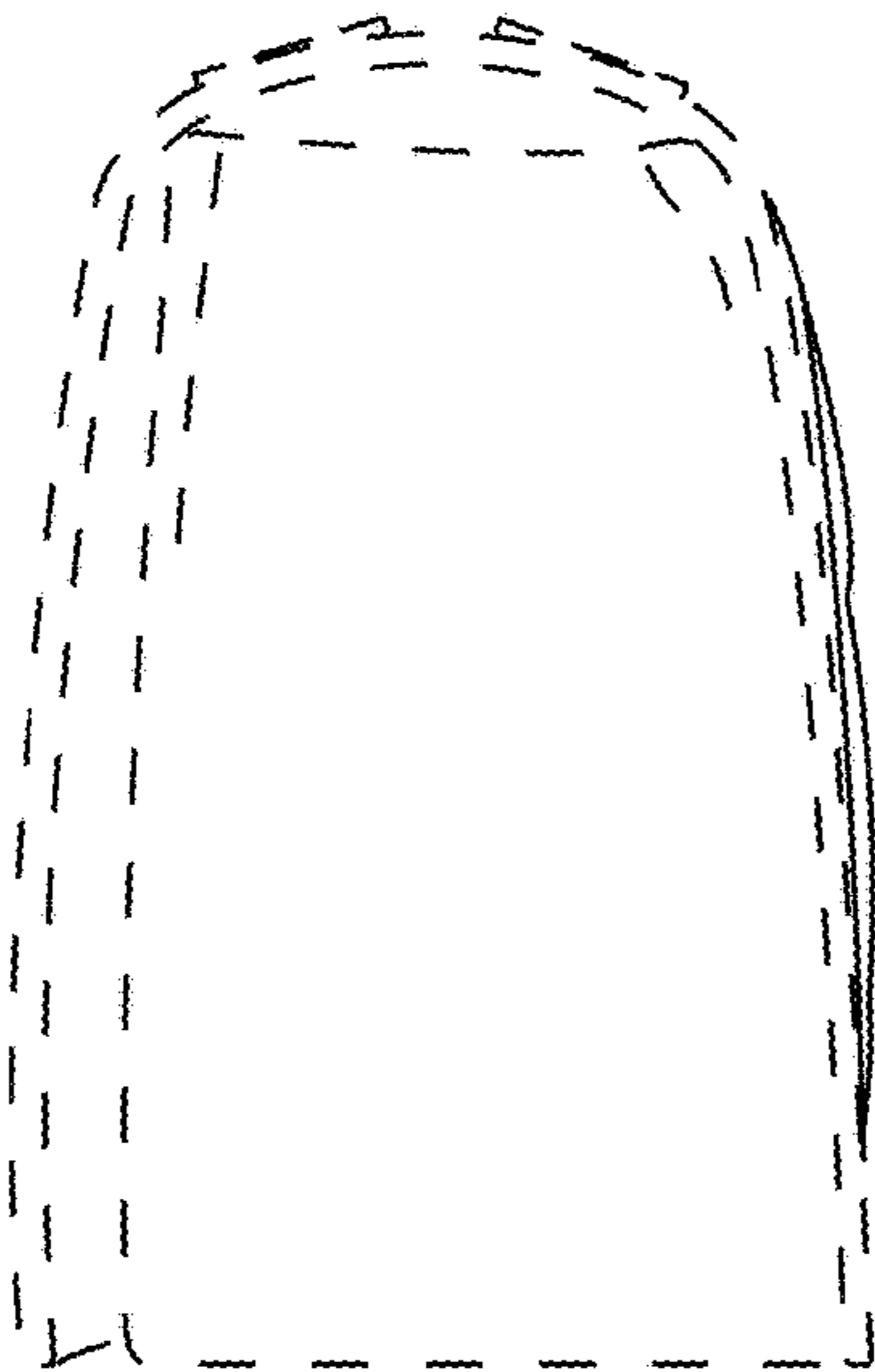


Fig. 4

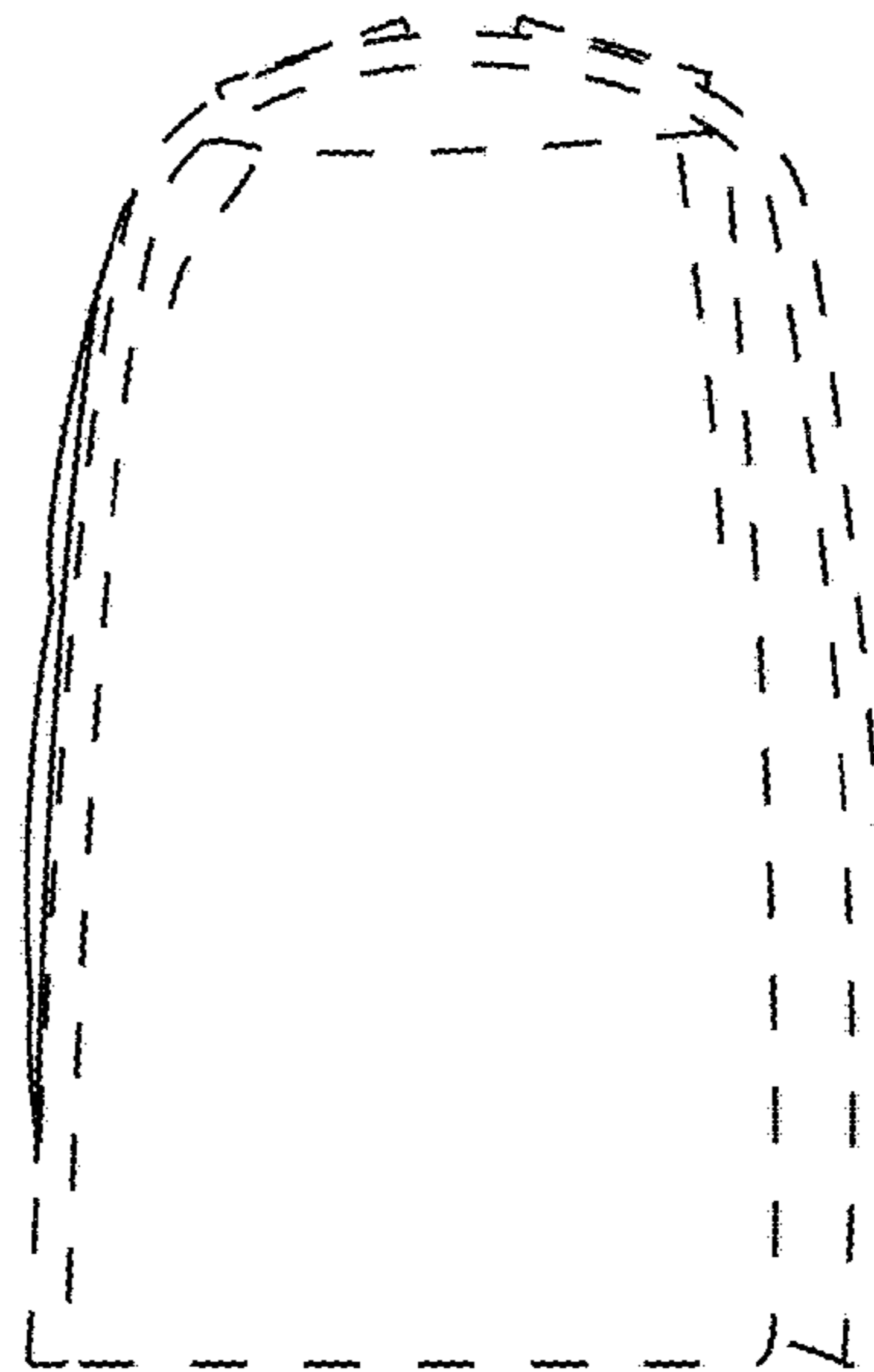


Fig. 5

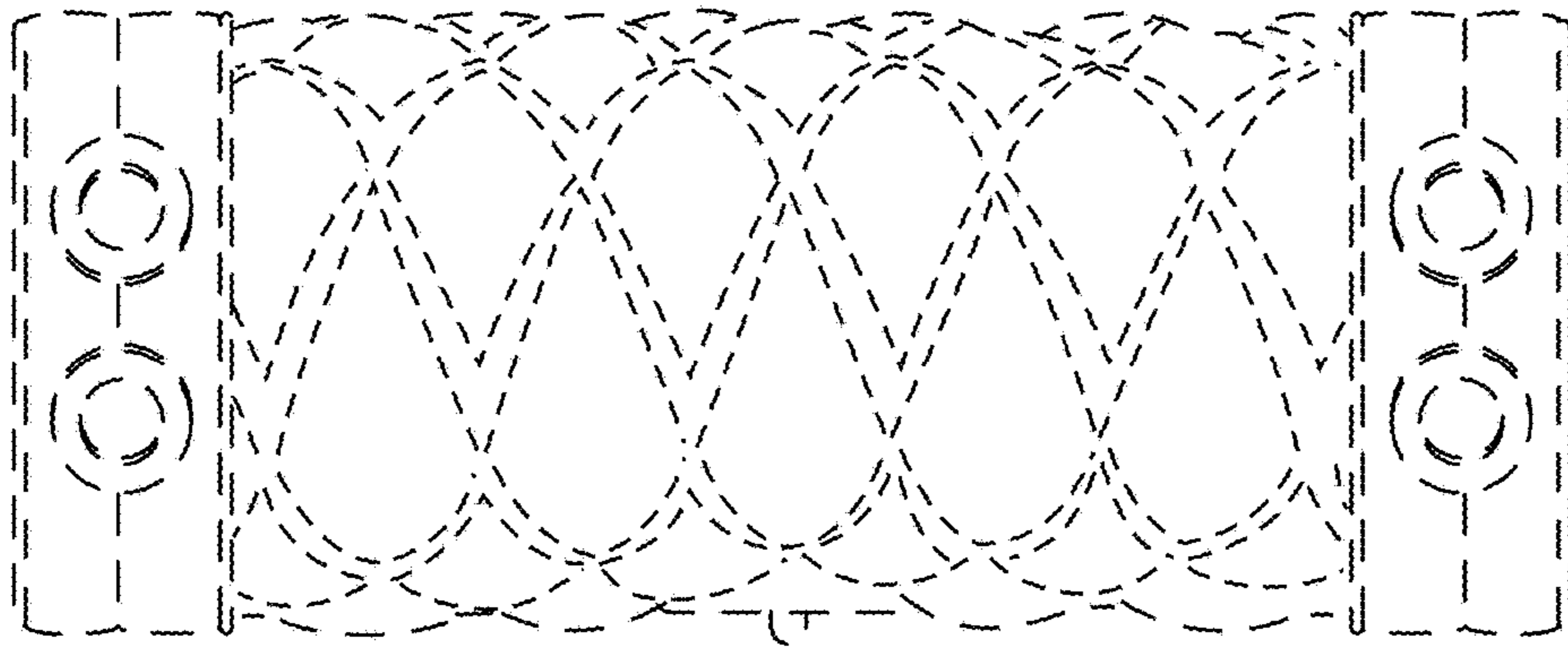


Fig. 6

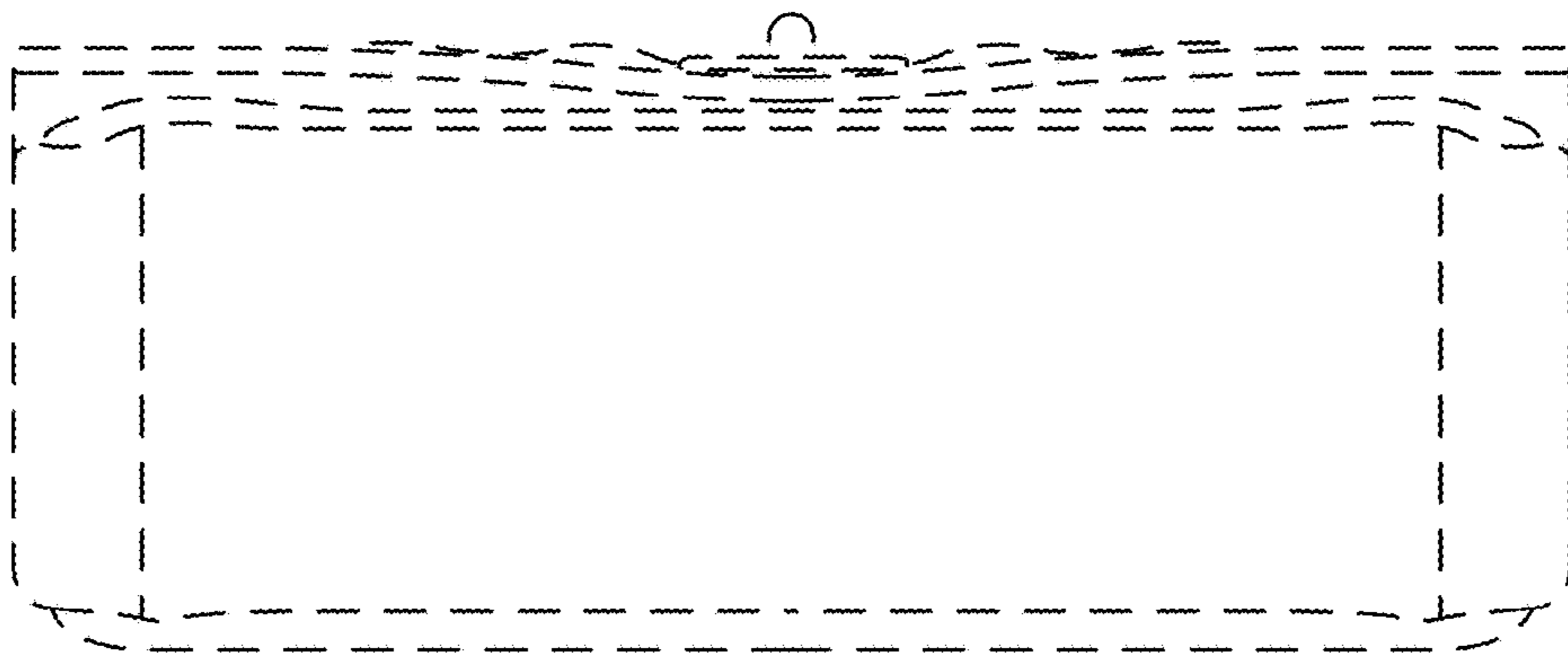


Fig. 7