

US00D866974S

(12) **United States Design Patent** (10) **Patent No.:** **US D866,974 S**
Oviedo Polanco (45) **Date of Patent:** **** Nov. 19, 2019**

(54) **COMMUTER SHOE BAG**

DESCRIPTION

(71) Applicant: **Rosa Aurora Oviedo Polanco**,
Flushing, NY (US)
(72) Inventor: **Rosa Aurora Oviedo Polanco**,
Flushing, NY (US)
(**) Term: **15 Years**
(21) Appl. No.: **29/658,537**
(22) Filed: **Jul. 31, 2018**
(51) **LOC (12) Cl.** **03-03**
(52) **U.S. Cl.**
USPC **D3/317; D3/233**
(58) **Field of Classification Search**
USPC **D3/317, 232, 233**
CPC **A45C 7/009; A45C 7/0077; A45C 3/04**
See application file for complete search history.

(56) **References Cited**

U.S. PATENT DOCUMENTS

D757,426 S *	5/2016	Molina	D3/232
D759,963 S *	6/2016	Romano	D3/232
D789,082 S *	6/2017	Barilaro	D3/232
D819,329 S *	6/2018	Gerbi	D3/232
D822,985 S *	7/2018	Pos	D3/232
D830,048 S *	10/2018	McQueeny	D3/201
D830,058 S *	10/2018	Dumas	D3/232
D841,322 S *	2/2019	Gerbi	D3/232
D845,619 S *	4/2019	Cronkshaw	D3/232
D855,973 S *	8/2019	Maier	D3/232
D858,092 S *	9/2019	Dumas	D3/232

* cited by examiner

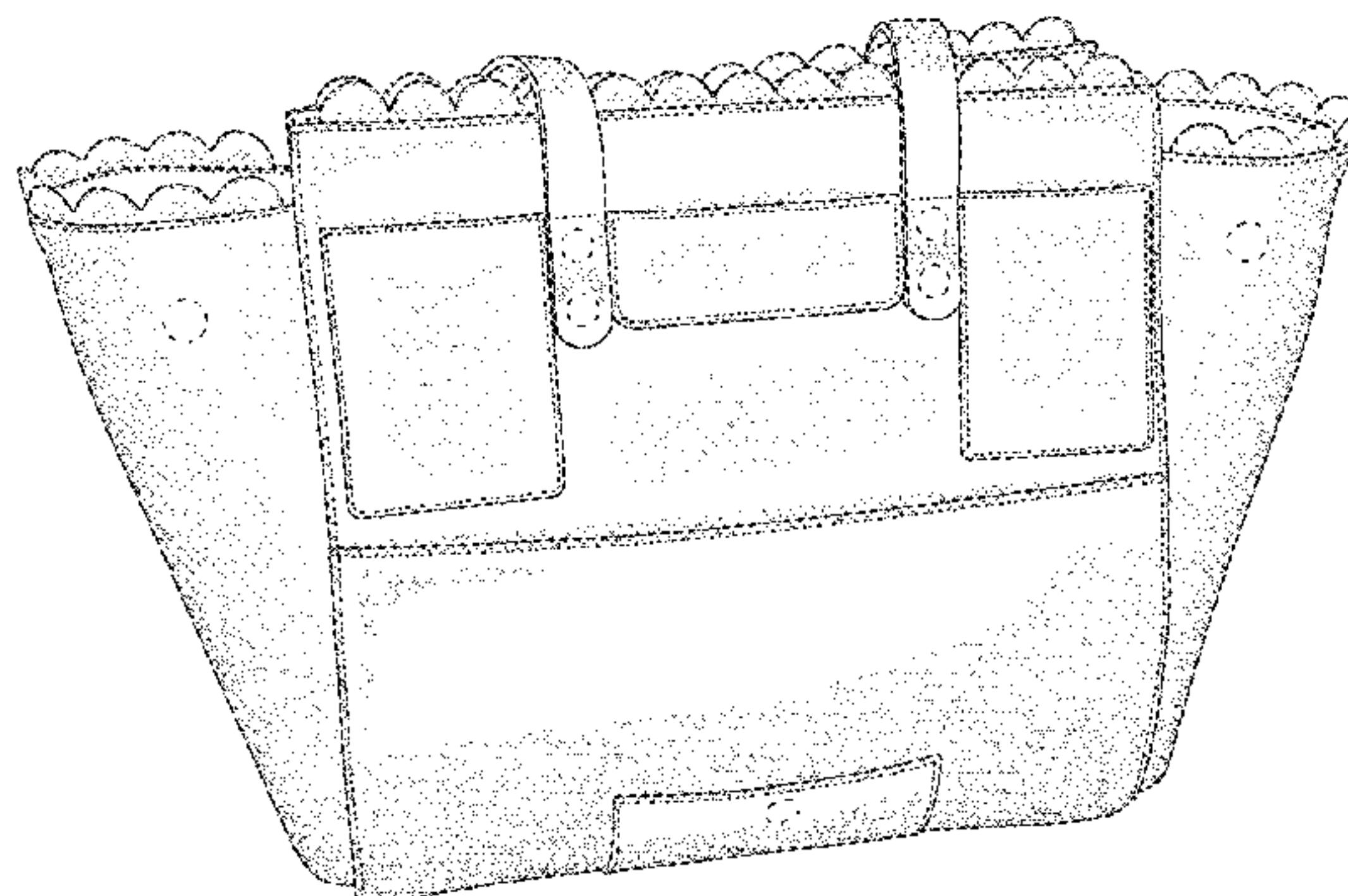
Primary Examiner — Charles D Hanson
(74) *Attorney, Agent, or Firm* — Yong Chen

(57) **CLAIM**

The ornamental design for a commuter shoe bag, as shown and described.

FIG. 1 is a front view of a commuter shoe bag of the present invention when the top of the bag is in a closed configuration.
FIG. 2 is a back view thereof.
FIG. 3 is a left view thereof.
FIG. 4 is a right view thereof.
FIG. 5 is a top view thereof.
FIG. 6 is a bottom view thereof.
FIG. 7 is a first perspective view thereof.
FIG. 8 is a second perspective view thereof.
FIG. 9 is a perspective view of the commuter shoe bag of the present invention when the top of the bag is in an open configuration.
FIG. 10 is another perspective view of the commuter shoe bag of the present invention when the top of the bag is in an open configuration.
FIG. 11 is a perspective view of the commuter shoe bag of the present invention when two side pockets of the bag are both in an open configuration.
FIG. 12 is a perspective view of the commuter shoe bag of the present invention when one side pocket of the bag is in an open configuration and the other side of pocket of the bag is in a closed configuration.
FIG. 13 is another perspective view of the commuter shoe bag of the present invention when one side pocket of the bag is in an open configuration and the other side of pocket of the bag is in a closed configuration; and,
FIG. 14 is a top view of the commuter shoe bag of the present invention when the top of the bag is in an open configuration.
The broken line showing of certain portions of the commuter shoe bag is included for the purpose of illustration only and forms no part of the claimed design.

1 Claim, 14 Drawing Sheets



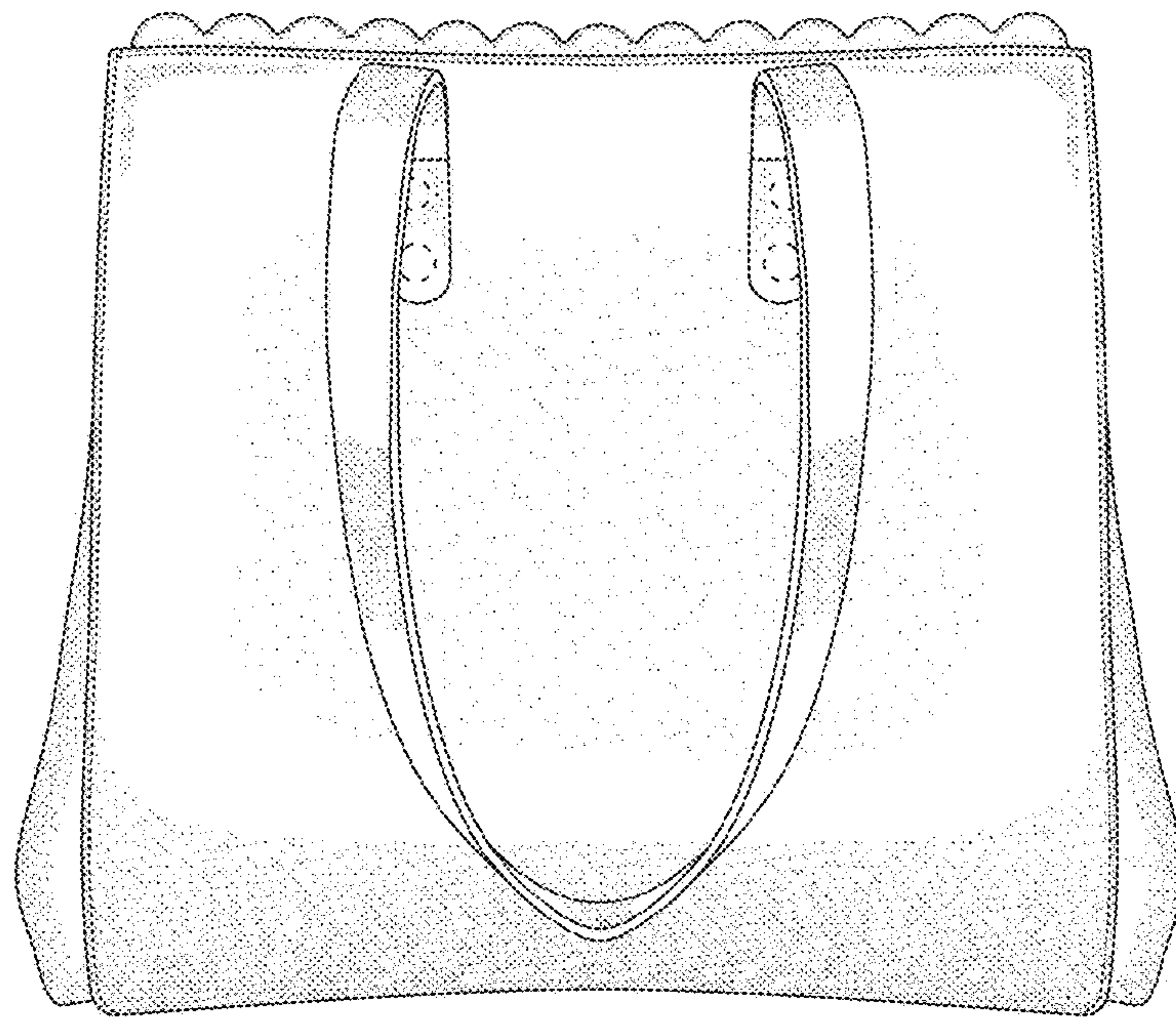


FIG. 1

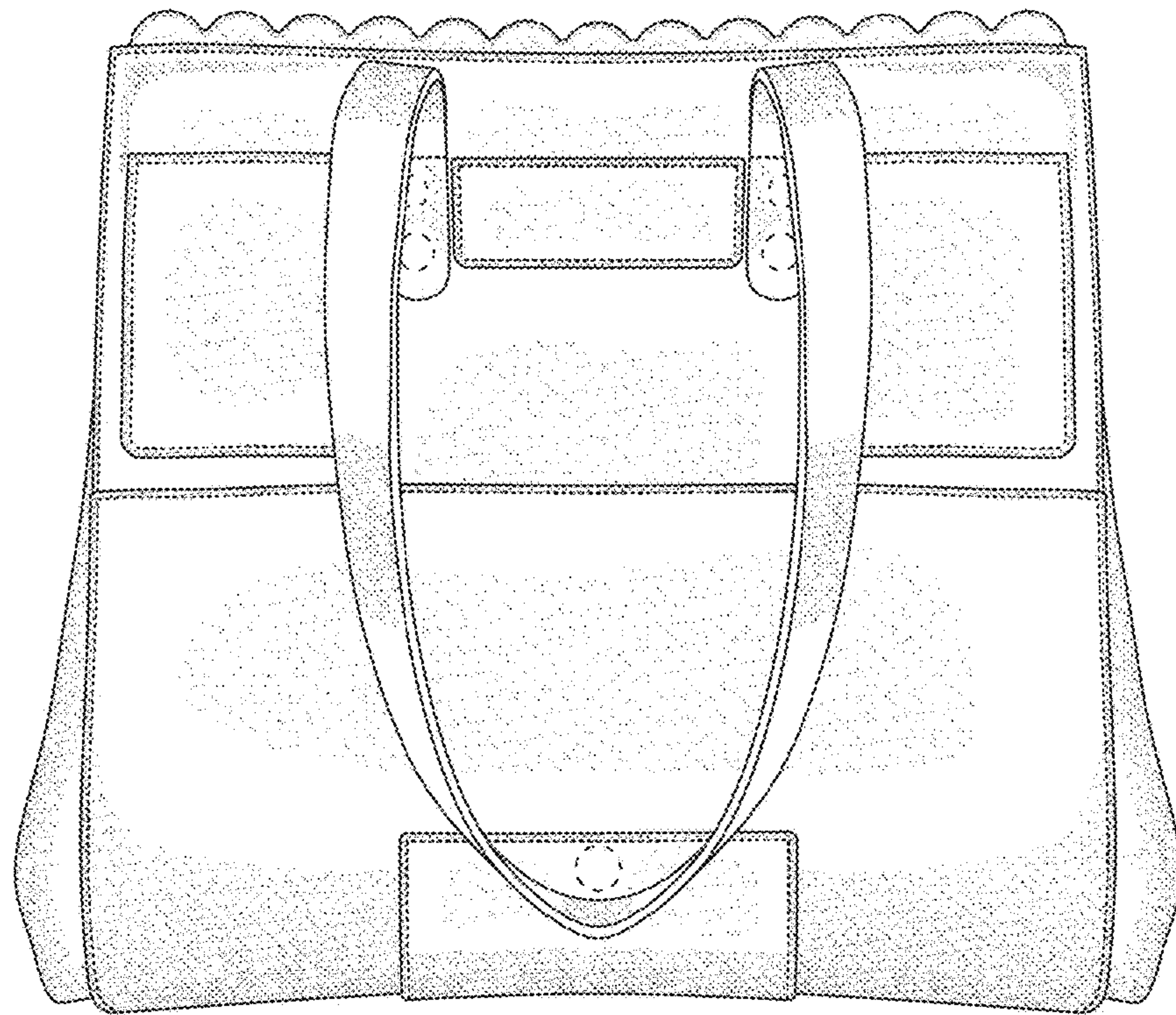


FIG. 2

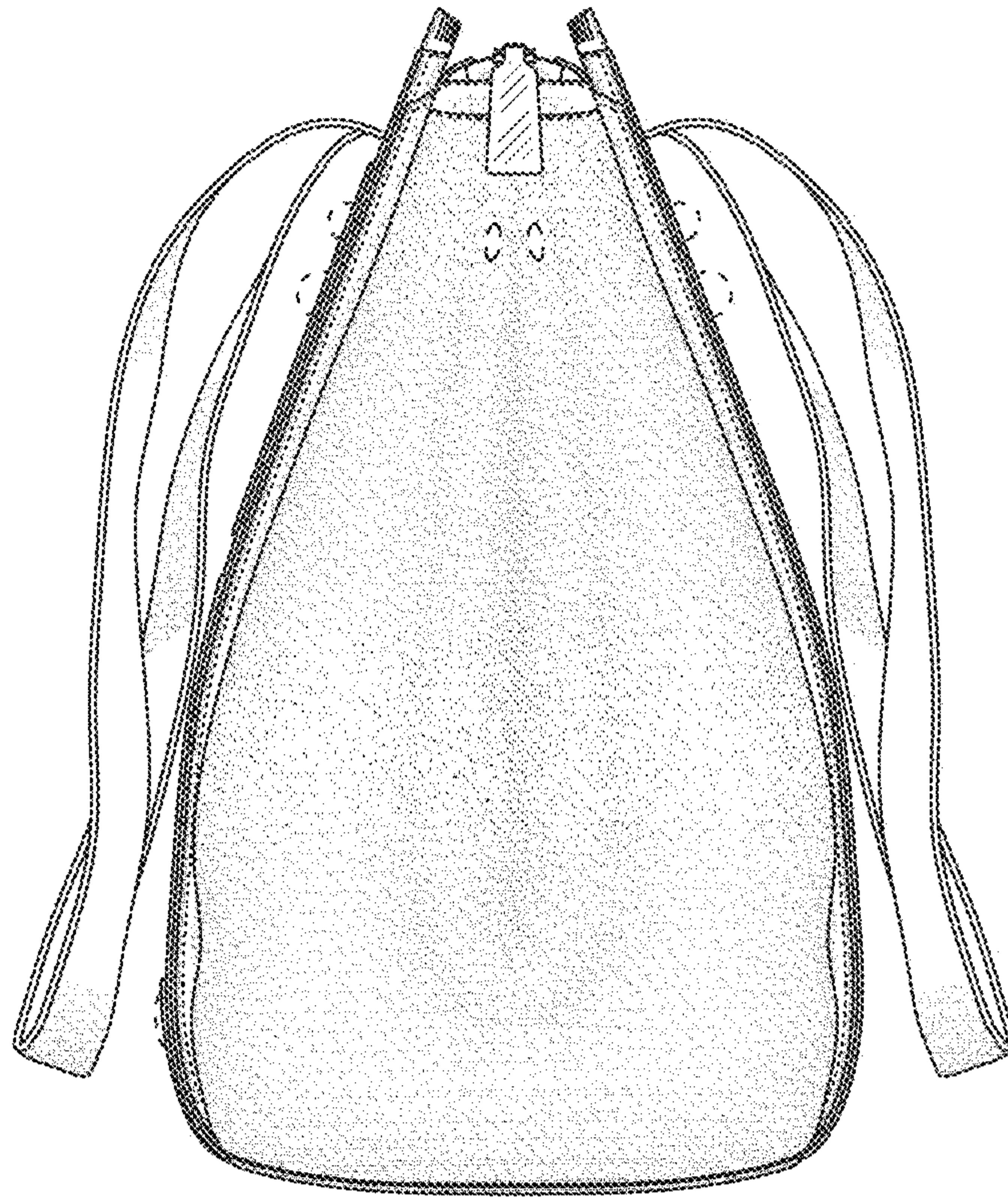


FIG. 3

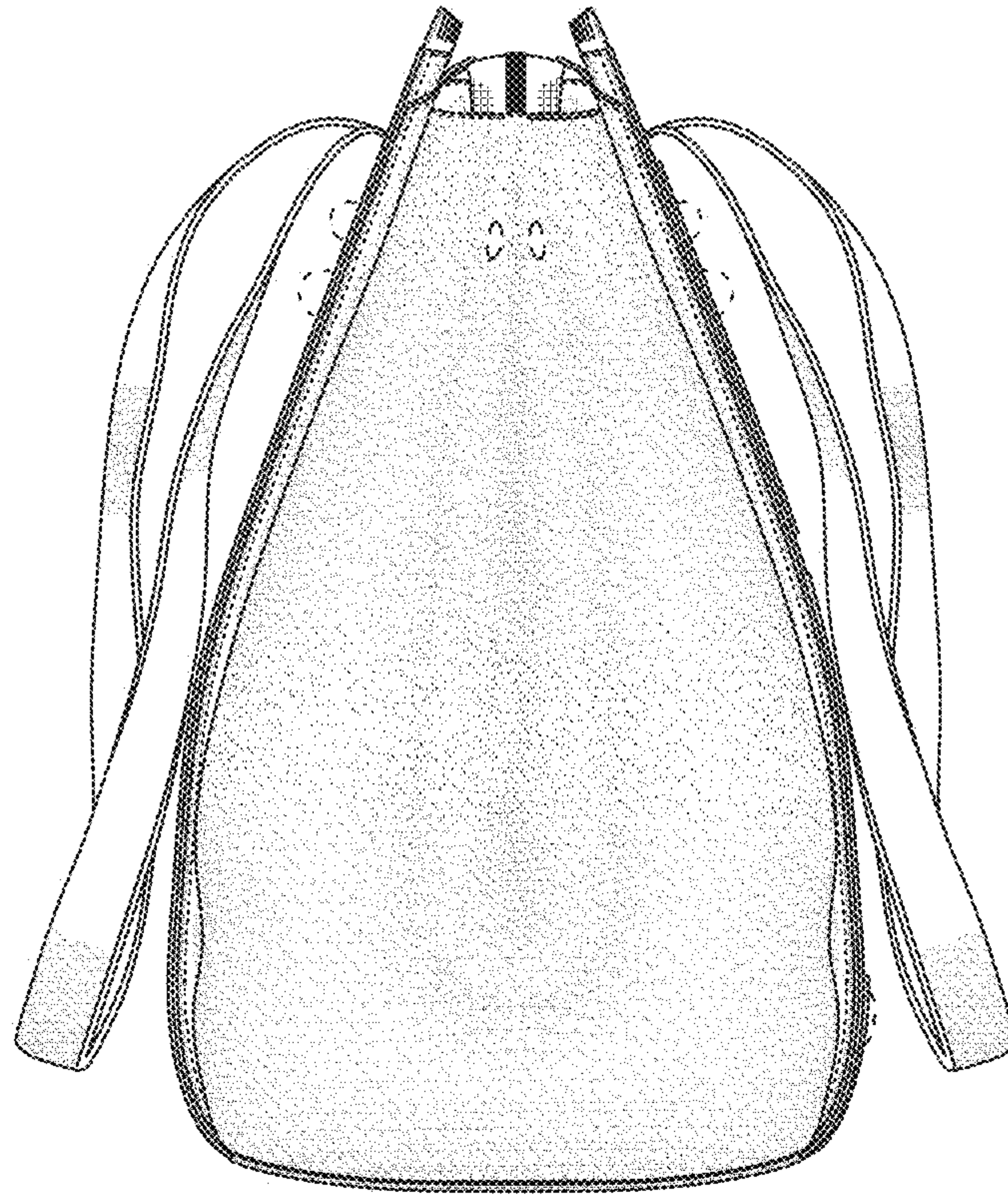


FIG. 4

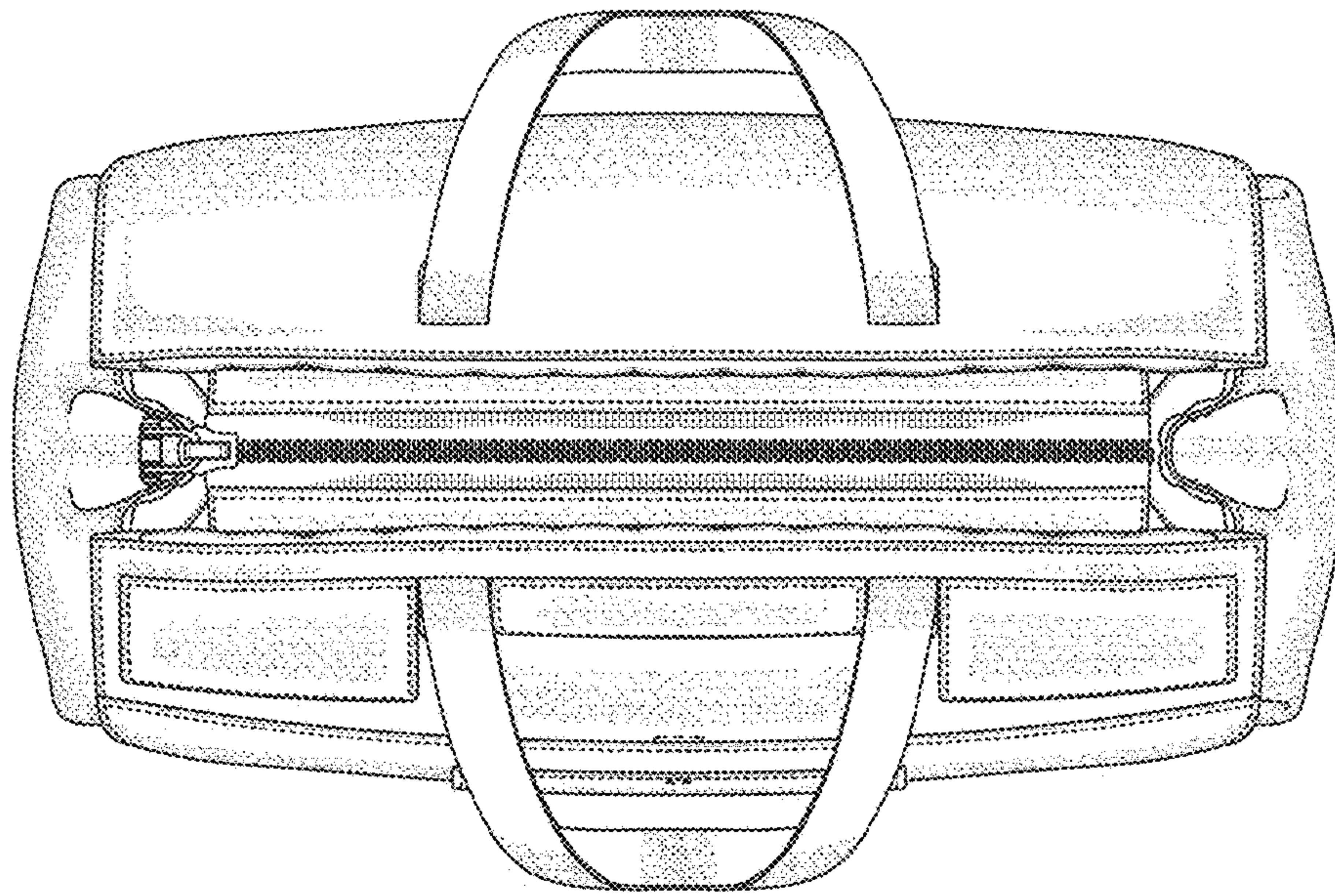


FIG. 5

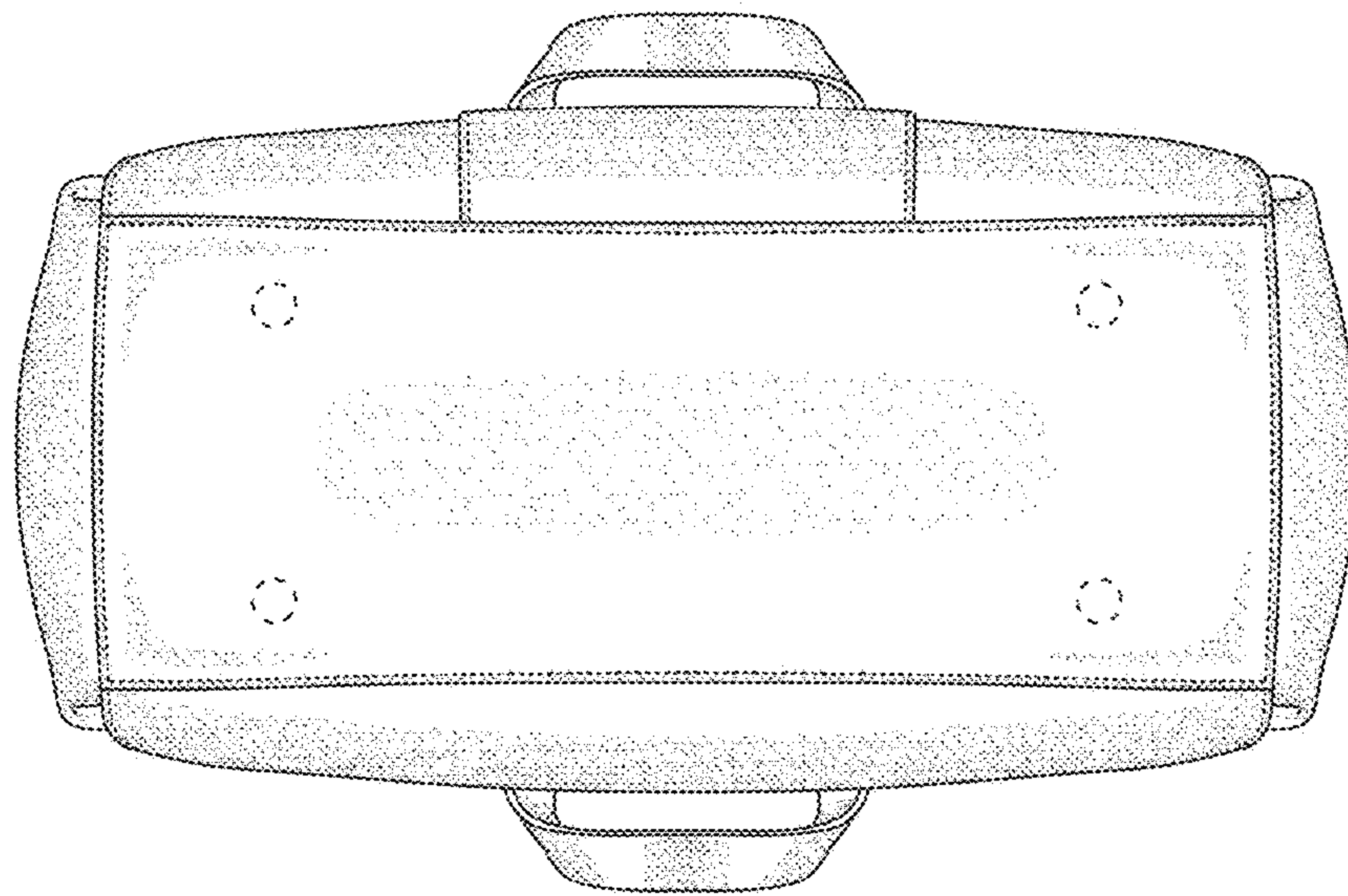


FIG. 6

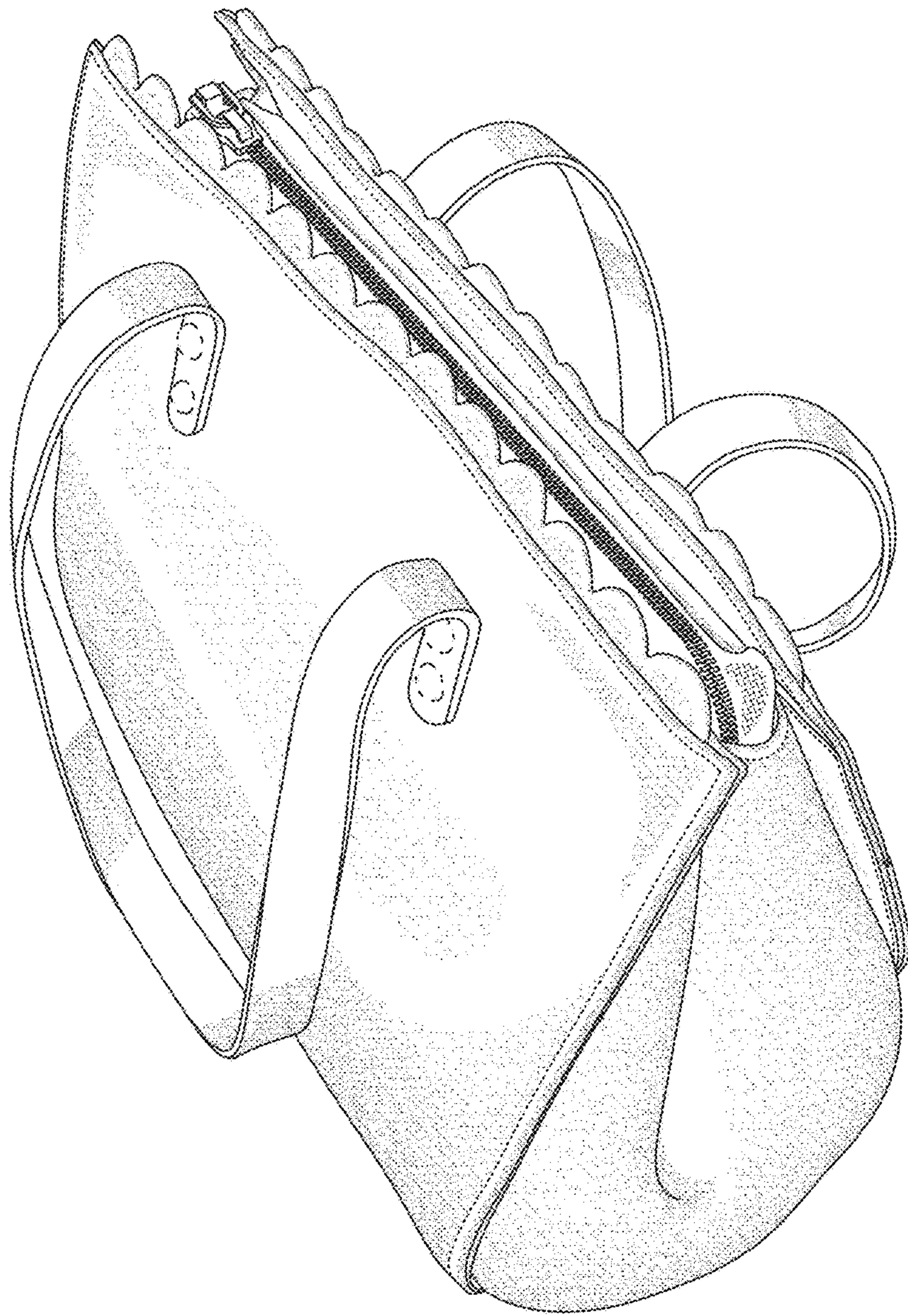


FIG. 7

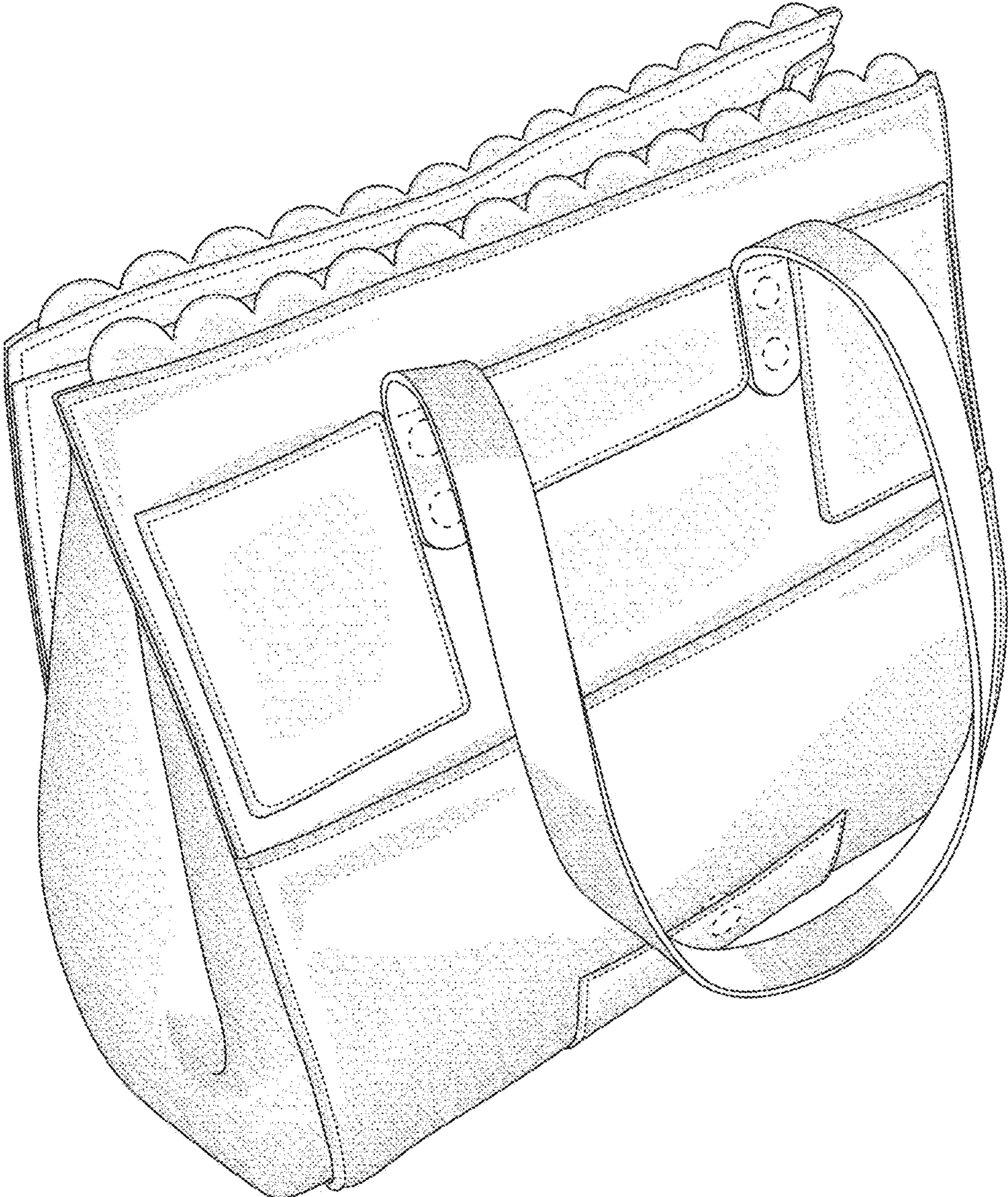


FIG. 8

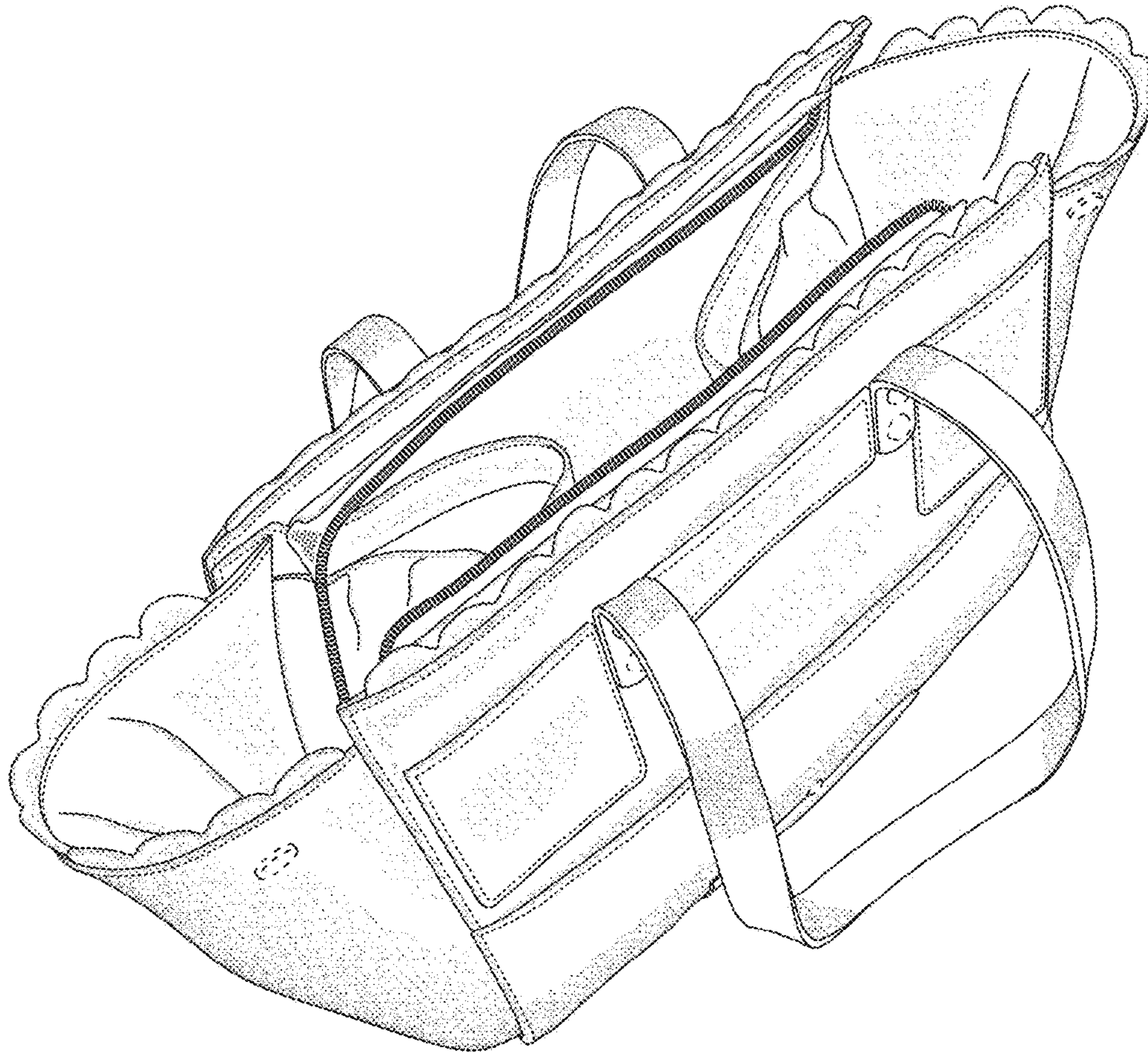


FIG. 9

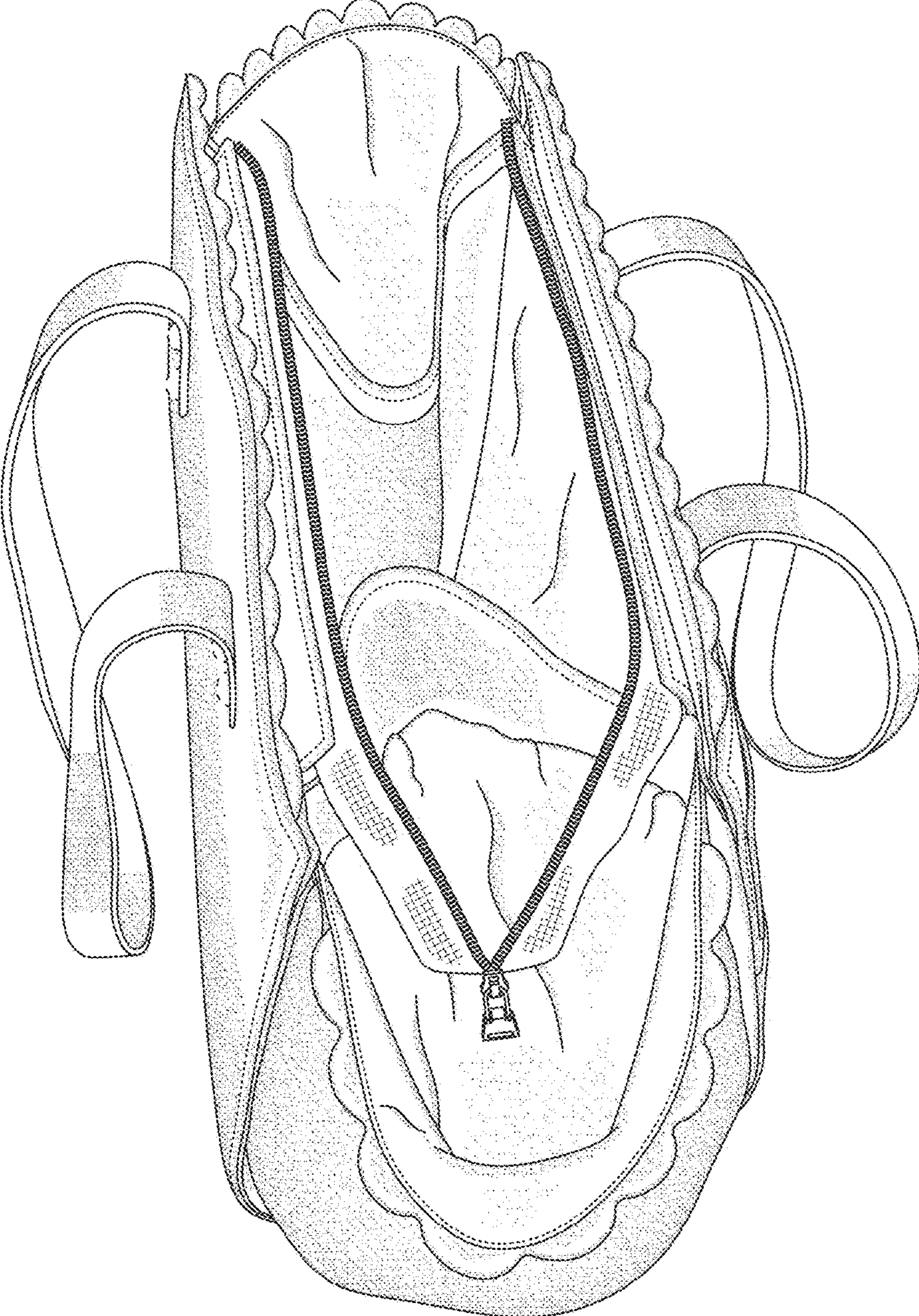


FIG. 10

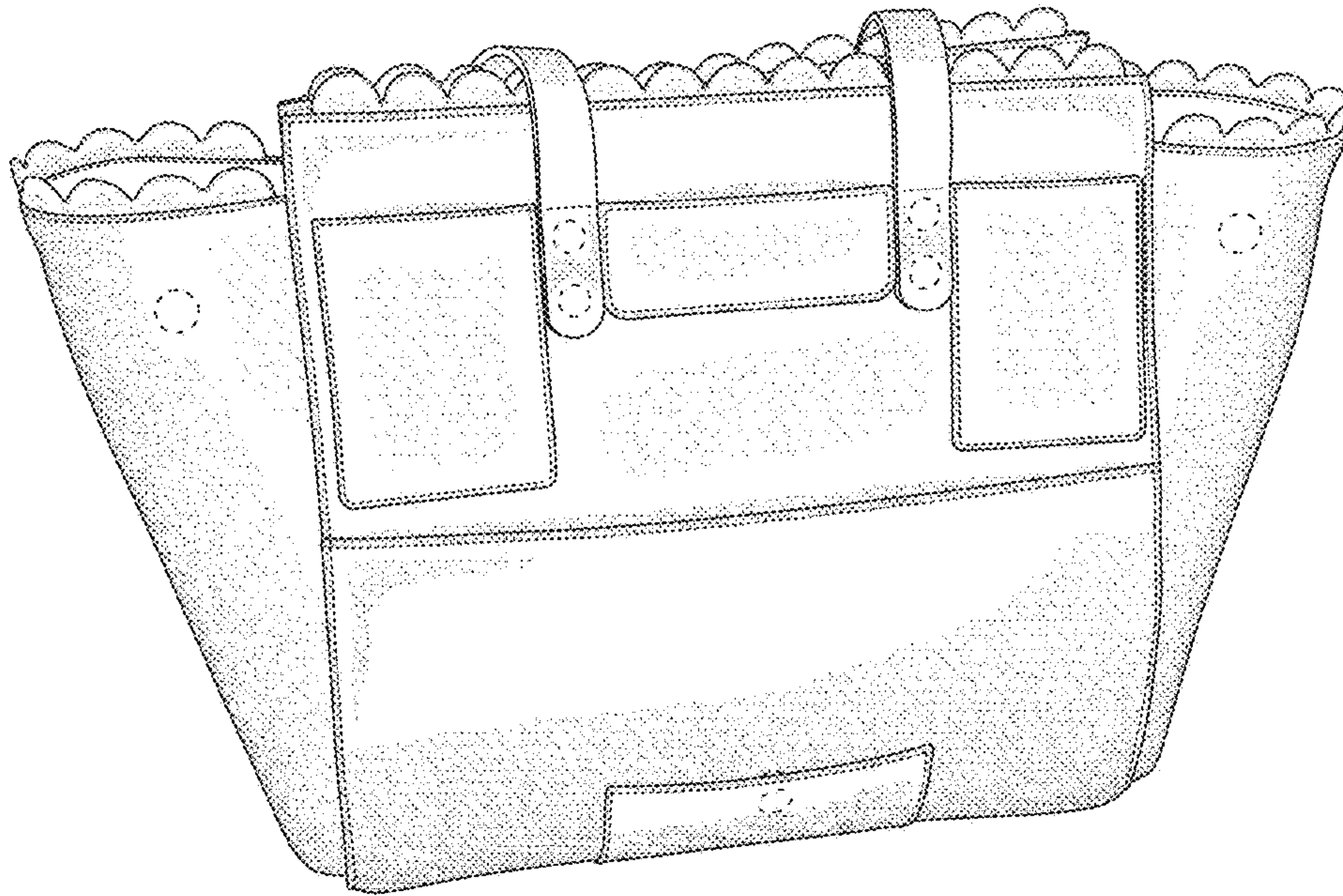


FIG. 11

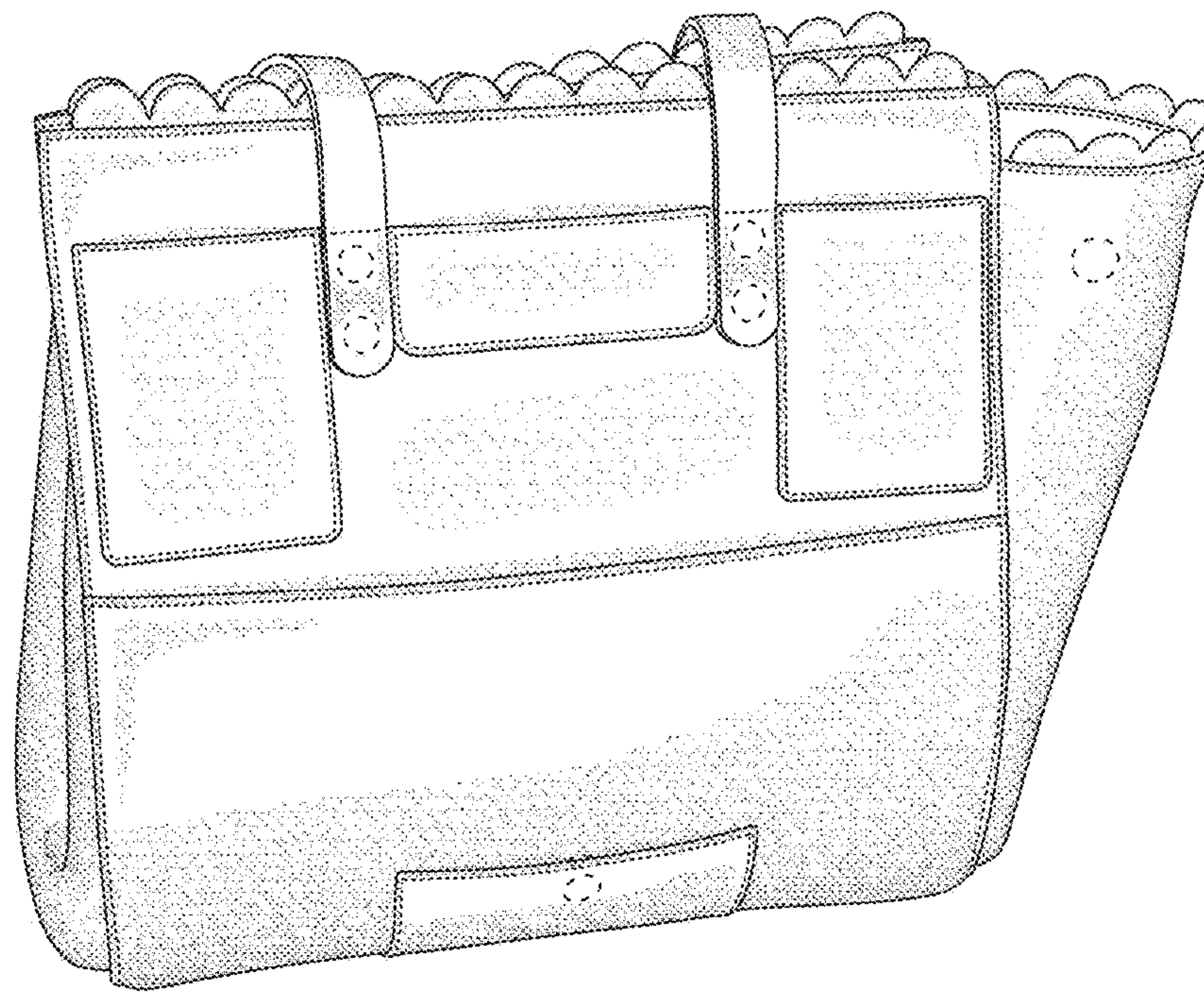


FIG. 12

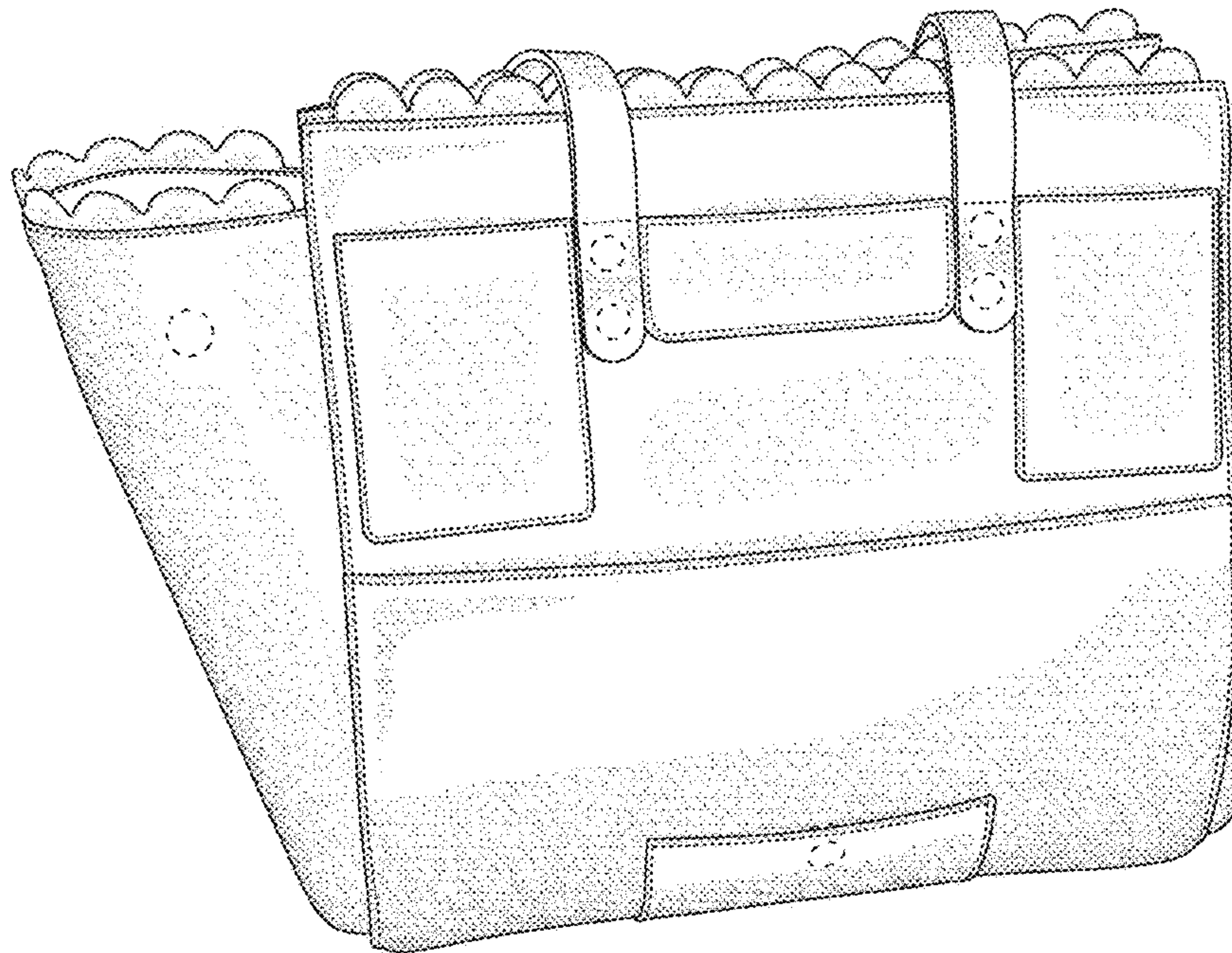


FIG. 13

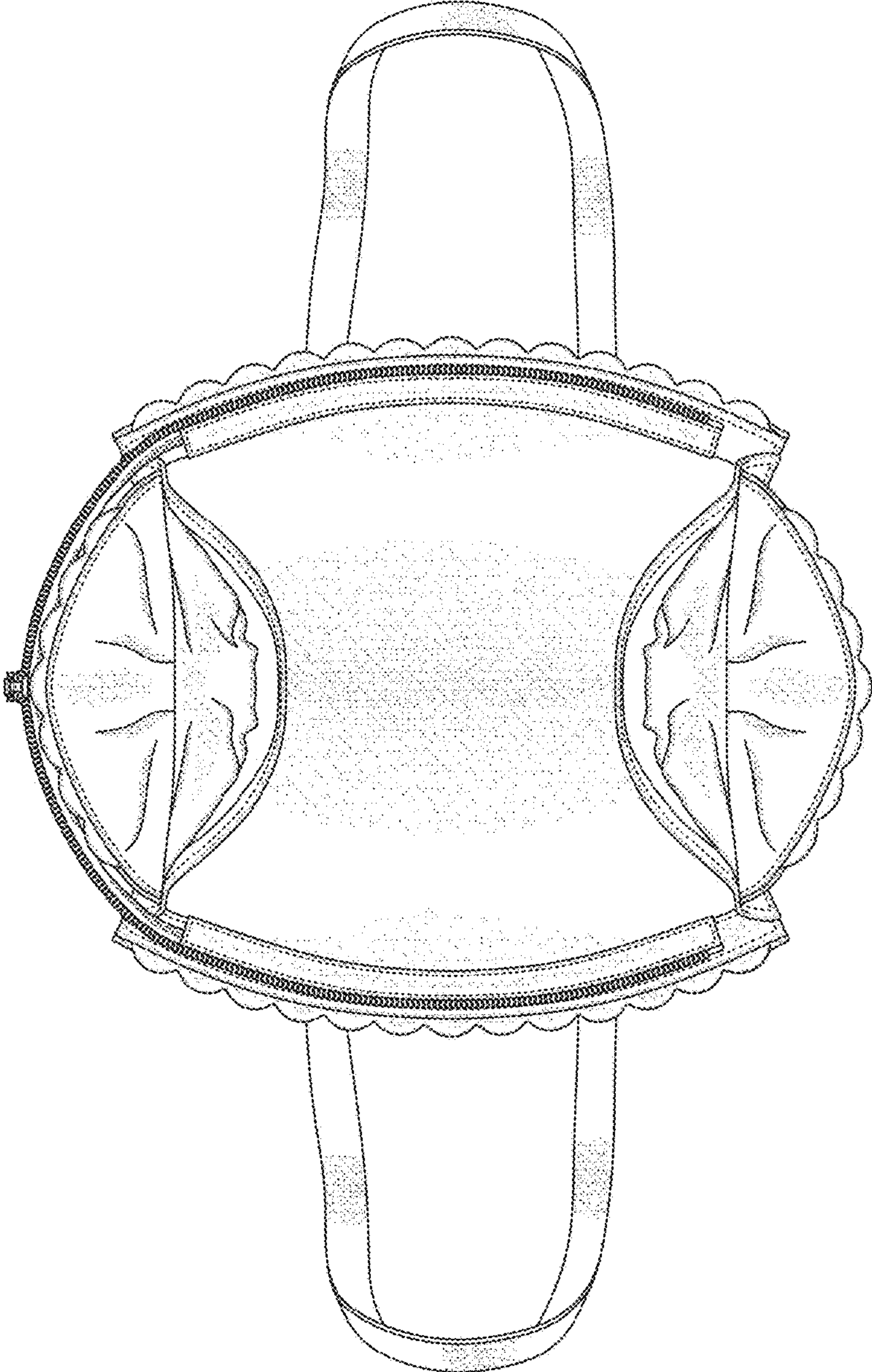


FIG. 14